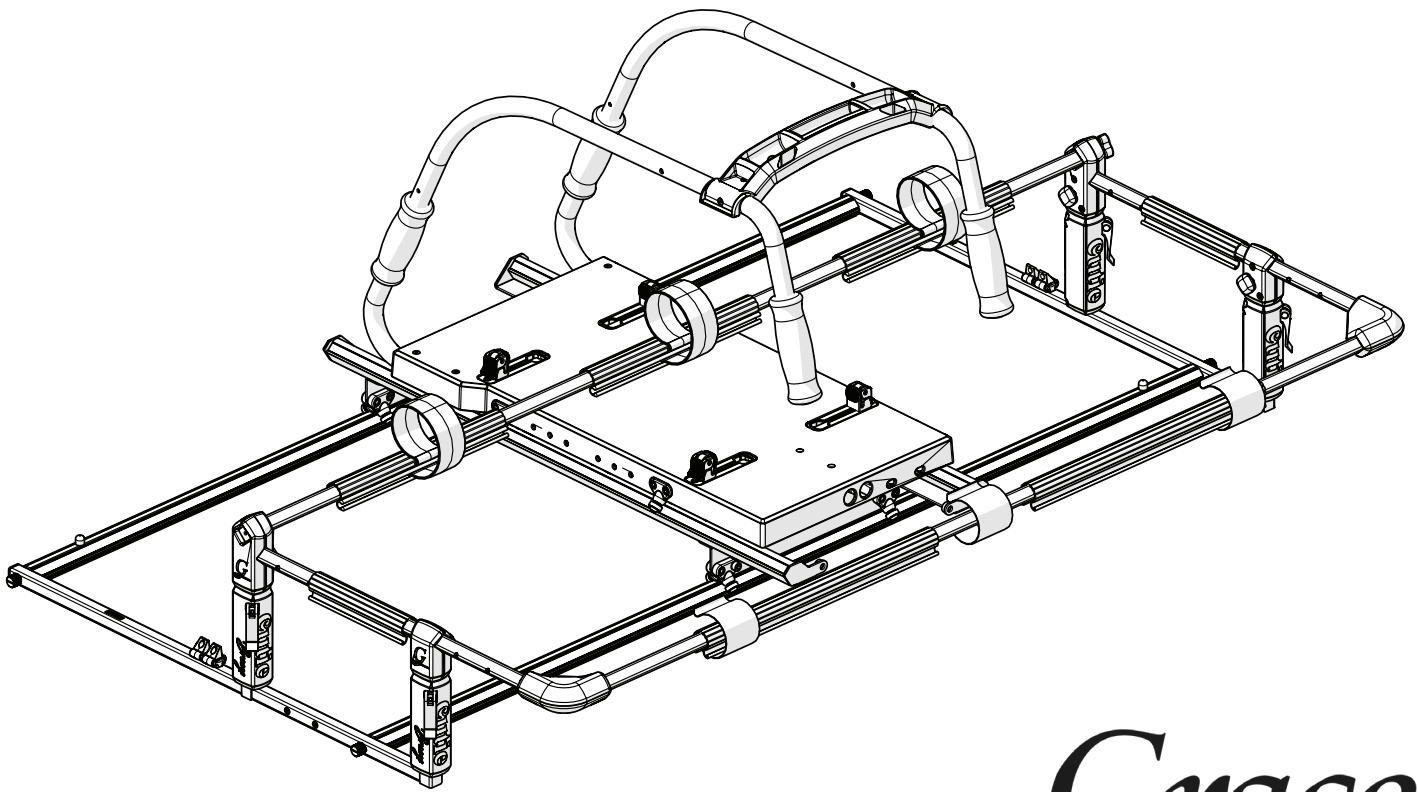


Cutie™ *Breeze*

Assembly & Use Instruction Manual



Grace
COMPANY

My Frame Details

Use this page to record information about your frame. This will be helpful if you ever need to call a Grace Company support technician.

Frame: Cutie Breeze

Date of Purchase: _____

Quilting Machine: _____

Accessories You Own:

- Quilter's Creative Touch (QuiltMotion)
- Start-Right Cloth Leaders
- Pattern Perfect
- Power Strip Accessory
- Speed Control
- Gracie Laser
- SureStitch
- SureStitch Elite
- Luminess Light Bar
- Bungee Clamps

Save these instructions. Do not discard box or packaging.

The last page of this booklet is for you to write any notes you want.

Copyright © 2023 Grace Company. All rights reserved. Grace Company reserves the right to make improvements and changes to the product described in this publication at any time and without notice, and may revise this publication occasionally without notice.

Grace Company provides this publication “as-is.” While every attempt at accuracy and clarity has been made in the preparation of this manual and its representation of the product, the publisher and author assume no responsibility for errors, omissions, or any damages as a result of said errors or omissions.

All brand names, publishing activities and trademarks used in this publication are the trademarks, service marks, or trade names of their respective holders.

First Published: August 18, 2023

Last Updated: January 10, 2024

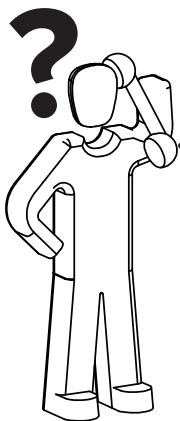
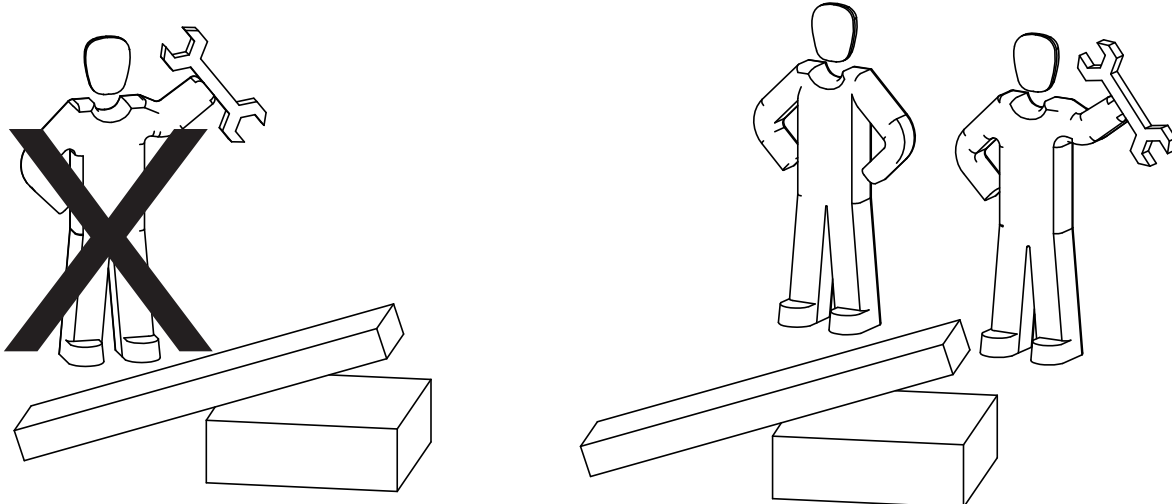
Warranty Information

The Cutie Breeze quilting frame has a one-year limited warranty on all parts. Grace Company will at its discretion repair or replace any part(s) with material or manufacturing defect. The customer is responsible for all shipping costs. Upon receipt of the product, Grace Company will determine whether to repair or replace the defective product or part(s). This warranty does not cover parts that are damaged through misuse, improper storage, improper assembly, loss, natural events, or willful destruction.

All customers requesting support will be required to provide a proof of purchase and registration if no warranty card is present and applicable. Grace Company product warranties are still valid if bought from an authorized Grace Company dealer. Grace Company is not subject to dealer warranties. Warranties do not transfer over to a secondary owner.

For more warranty and registration information, visit the following link:

<https://graceframe.com/en/warrant/info>



1-801-485-6688

Grace
COMPANY

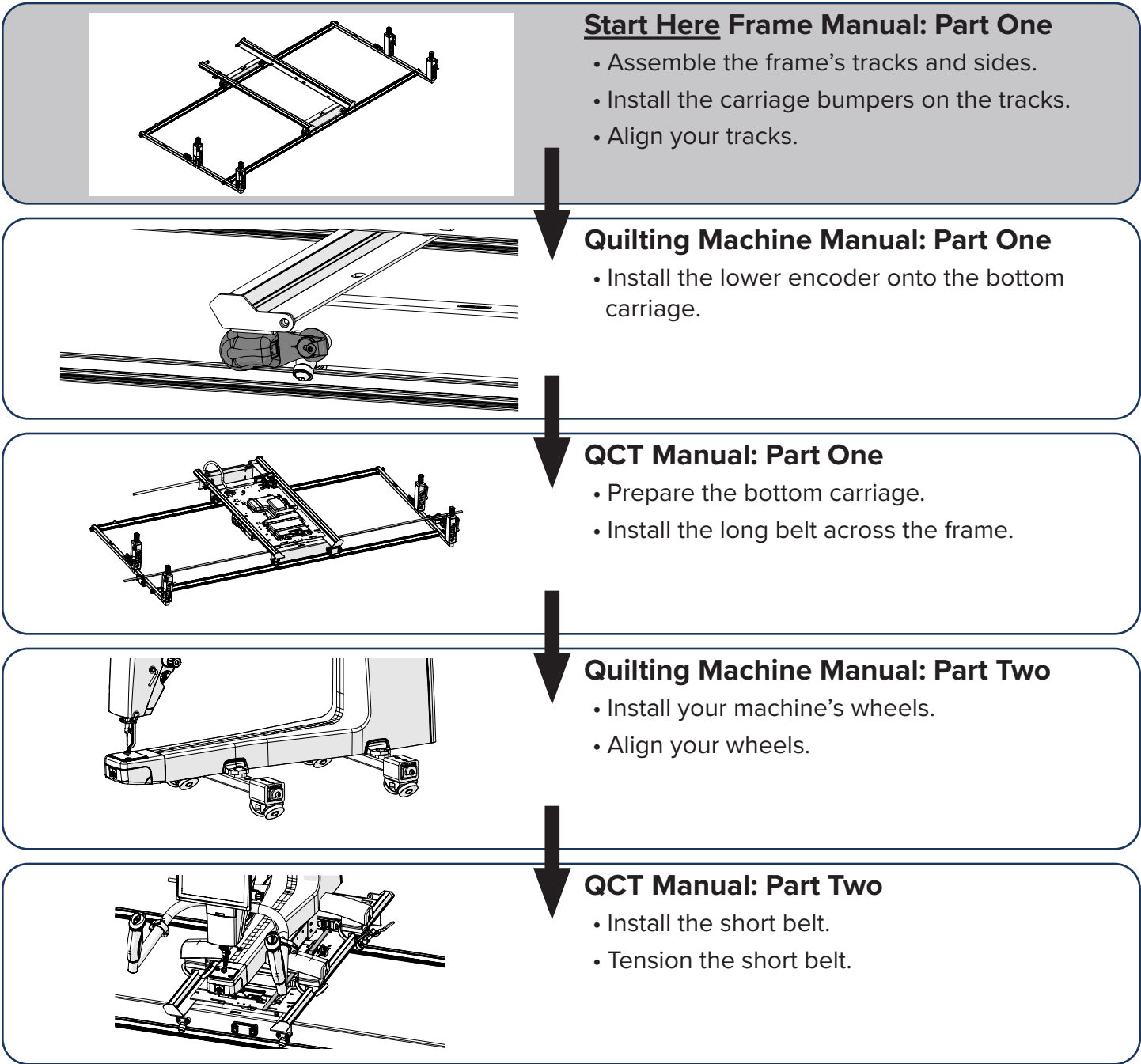
Welcome to Your Cutie Breeze Frame

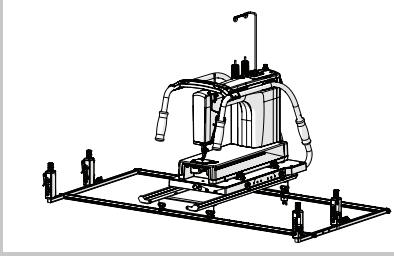
We are pleased to introduce you to the newest part of your quilting setup. This frame has been specifically designed to help you create quality products.

If you purchased any other Grace Company products with your frame, assemble them at the same time as your frame, using the flowchart below. Notifications at the end of each part direct you to switch to your quilting machine manual or Quilter's Creative Touch (QCT, formerly QuiltMotion) manual for instructions on assembling those products. These partitions create a streamlined process of building a complete quilting setup in the most efficient way. If you are not using one of the products in the flowchart, just move on to the next item in the chart.

Thank you again for choosing us to help with your quilting projects.

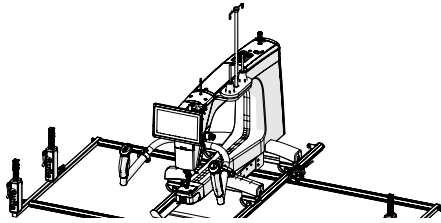
- The Grace Company





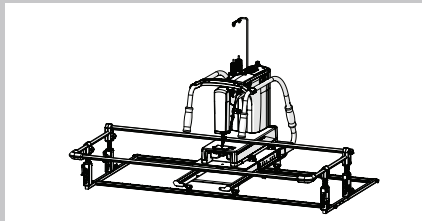
Frame Manual: Part Two

- Prepare the top plate and wheel-less quilting machine.
- Place the machine or top plate on the frame.



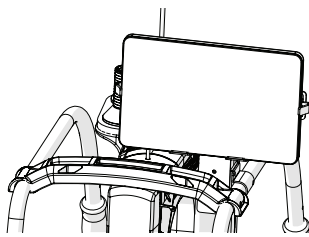
Quilting Machine Manual: Part Three

- Install the wheel covers, display, handles, and thread mast.
- Install the upper encoder.



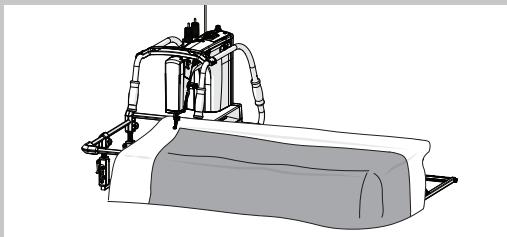
Frame Manual: Part Three

- Install the rails.
- Position and adjust the rails.
- Adjust the carriage stop.



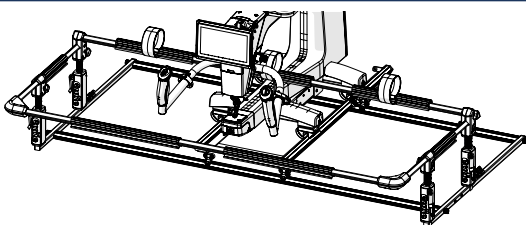
QCT Manual: Part Three

- Install the tablet bracket.
- Plug in QCT.



Frame Manual: Part Four

- Attach the fabric.
- Prepare to quilt.
- Move zones.



Quilting Machine Manual: Part Four

- Use the quilting modes and settings in the display.
- Maintain the machine and perform repairs.

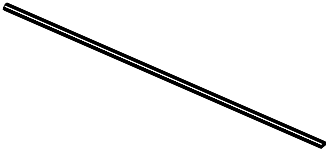
Contents

Warranty Information	v
Welcome to Your Cutie Breeze Frame	vi
Included Parts and Tools	ix
Part One	1
Task 1 - Attaching the Tracks to the Side Walls	2
Task 2 - Aligning the Tracks with the Bottom Carriage	5
Part Two	10
Task 3 - Attaching the Handles to the Top Plate	11
Task 4 - Installing Your Machine	15
Wheeled Quilting Machine Installation	15
Wheel-less Sewing Machine with Top Plate Installation	16
Part Three	20
Task 5 - Adjusting the Rail Holders	21
Task 6 - Attaching the Front Rail	23
Task 7 - Installing and Adjusting the Take-Up Rail	26
Task 8 - Managing the Foot Pedal Cable	32
Routing the Cable From the Back	33
Routing the Cable From the Front	34
Task 9 - Moving the Carriage Stop Clip	37
Task 10 - Adjusting the Carriage Stop Clips	39
Part Four	41
Task 11 - Preparing Your Sewing Machine for Quilting	42
Task 12 - Preparing Your Quilt	43
Task 13 - Attaching Your Quilt	45
Task 14 - Tacking Down Your Quilt	49
Task 15 - Marking the Safe Area	50
Task 16 - Starting and Ending Your Designs	54
Task 17 - Moving Your Quilt to a Different Zone	60
Accessories - Encoder Installation	63
Lower Encoder Installation	63
Upper Encoder Installation	66
Notes	67

Included Parts and Tools

Main Box

Track (x2)



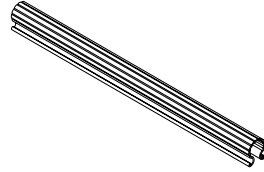
QTT-09-17759

Front Rail



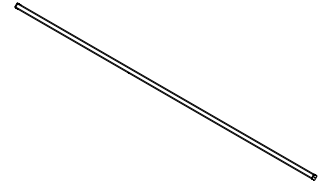
QTT-09-17750

Front Fabric Clamp (x2, on Front Rail)



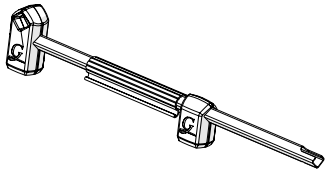
QTT-05-17695

Take-Up Rail



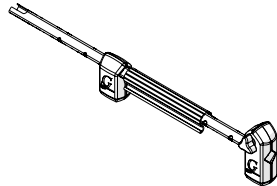
QTT-04-17703

Rail Holder (Left)



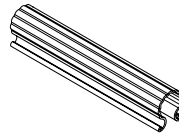
QTT-09-17761

Rail Holder (Right)



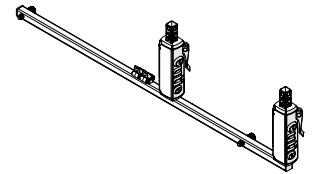
QTT-09-17758

Side Fabric Clamp (x2, on Rail Holders)



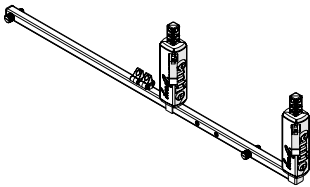
QTT-05-17697

Side Wall (Right)



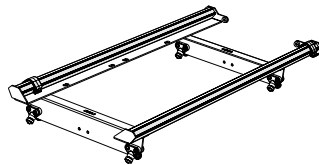
QTT-09-17760

Side Wall (Left)



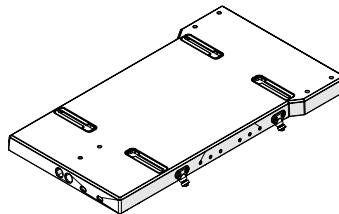
QTT-09-17752

Bottom Carriage



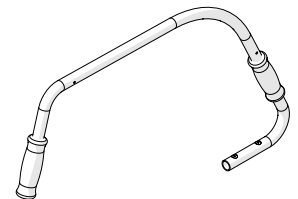
QTT-09-17753

Top Plate



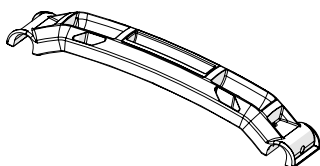
QTT-09-17757

Handle (x2)



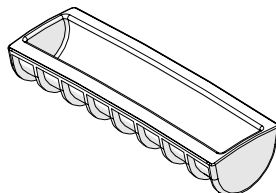
QTT-09-17762

Handle Bracket



QTT-09-17751

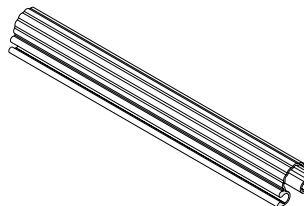
L-Class Bobbin Holder (in Handle Bracket)



QTT-05-17732

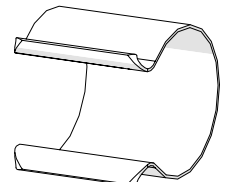
Accessory Box 1

Back Fabric Clamp (x3)



QTT-05-17696

Mini Clip (x3)

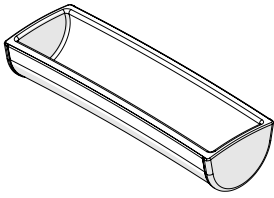


PLA-05-11593

Included Parts and Tools (continued)

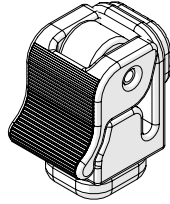
Accessory Box 1 (continued)

M-Class Bobbin Holder



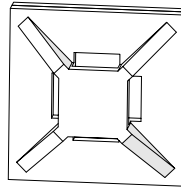
QTT-05-17731

Sewing Machine Clamp (x4)



QTT-09-17756

Zip Tie Mount



MIS-08-10805

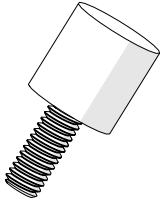
Zip Tie (x2)



MIS-08-10804

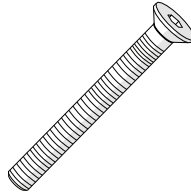
Hardware Bag (in Accessory Box 1)

Threaded Rubber Bumper M4 (x2)



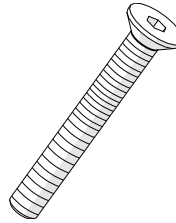
HDW-03-17885

Socket FHS M4 x 35 mm (x2)



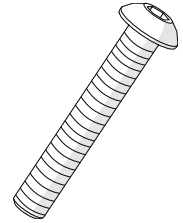
HDW-03-17868

Socket FHS M4 x 16 mm (x4)



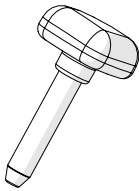
HDW-03-12124

SBHCS M4 x 25 mm (x2)



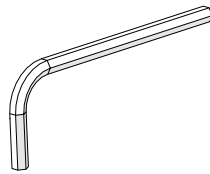
HDW-03-12240

Securing Pin (x4)



QTT-05-17734

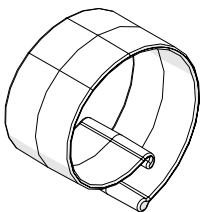
Allen Wrench 2.5 mm



HDW-03-10165

Accessory Box 2

Coil Clamp (x3)



QTT-05-17733

Part One

Complete Part One of these instructions before assembling your quilting machine or any accessories.

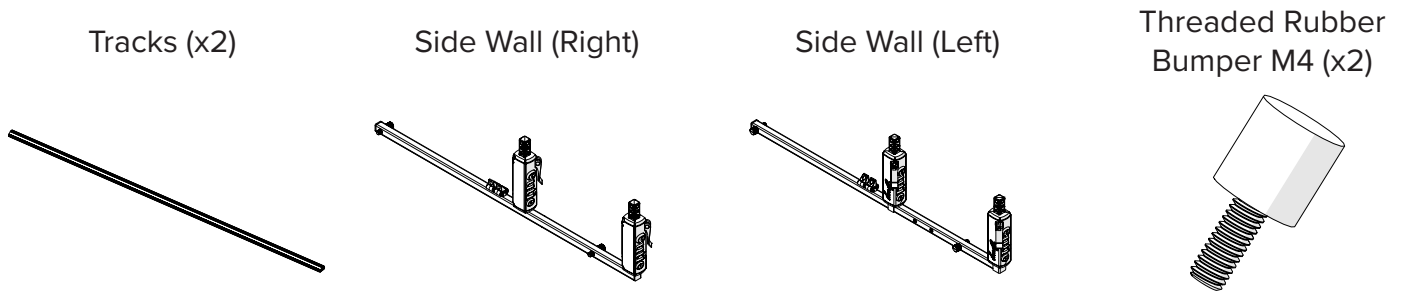
At the end of each part, you will be instructed to switch to specific sections of your machine manual or accessory manuals. If you've purchased those products and are preparing to install them, then go to the specified sections in those manuals. If you are not using those products, simply skip those sections and continue in this manual.

Task 1 - Attaching the Tracks to the Side Walls	2
Task 2 - Aligning the Tracks with the Bottom Carriage.....	5

Part One

Task 1 - Attaching the Tracks to the Side Walls

Parts & Tools Needed



Instructions

When fully assembled, the Cutie Breeze frame is 52 inches (4 feet 4 inches) across, and 27 inches (2 feet 3 inches) deep. However, you can use the frame on a surface that is 23 inches (1 foot 11 inches) deep, which is the distance between the two tracks, as some of the frame can hang over the edge of your work surface without any issues.

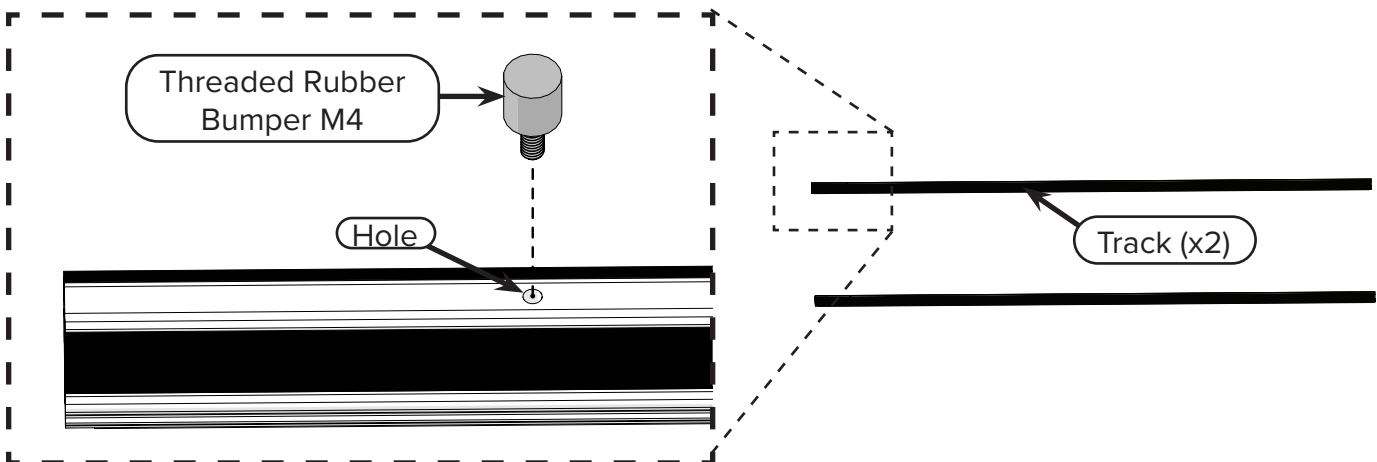
After you finish task 1, you will know the size of the frame and can confirm that your work surface is the correct size.

Note: The side walls have four little **mounts** on them, which are designed for use with the bungee clamp accessory and can be ignored otherwise. For details about the bungee clamp accessory, visit graceframe.com.



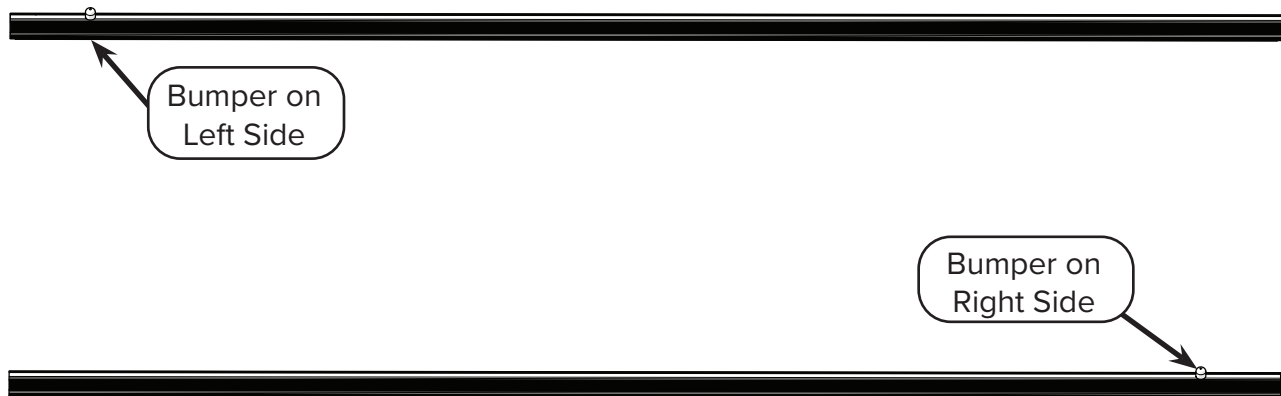
Take the following steps to attach the tracks to the side walls:

- 1 Locate the **hole** on each **track**. Use your hand to screw an **M4 threaded rubber bumper** into both holes.

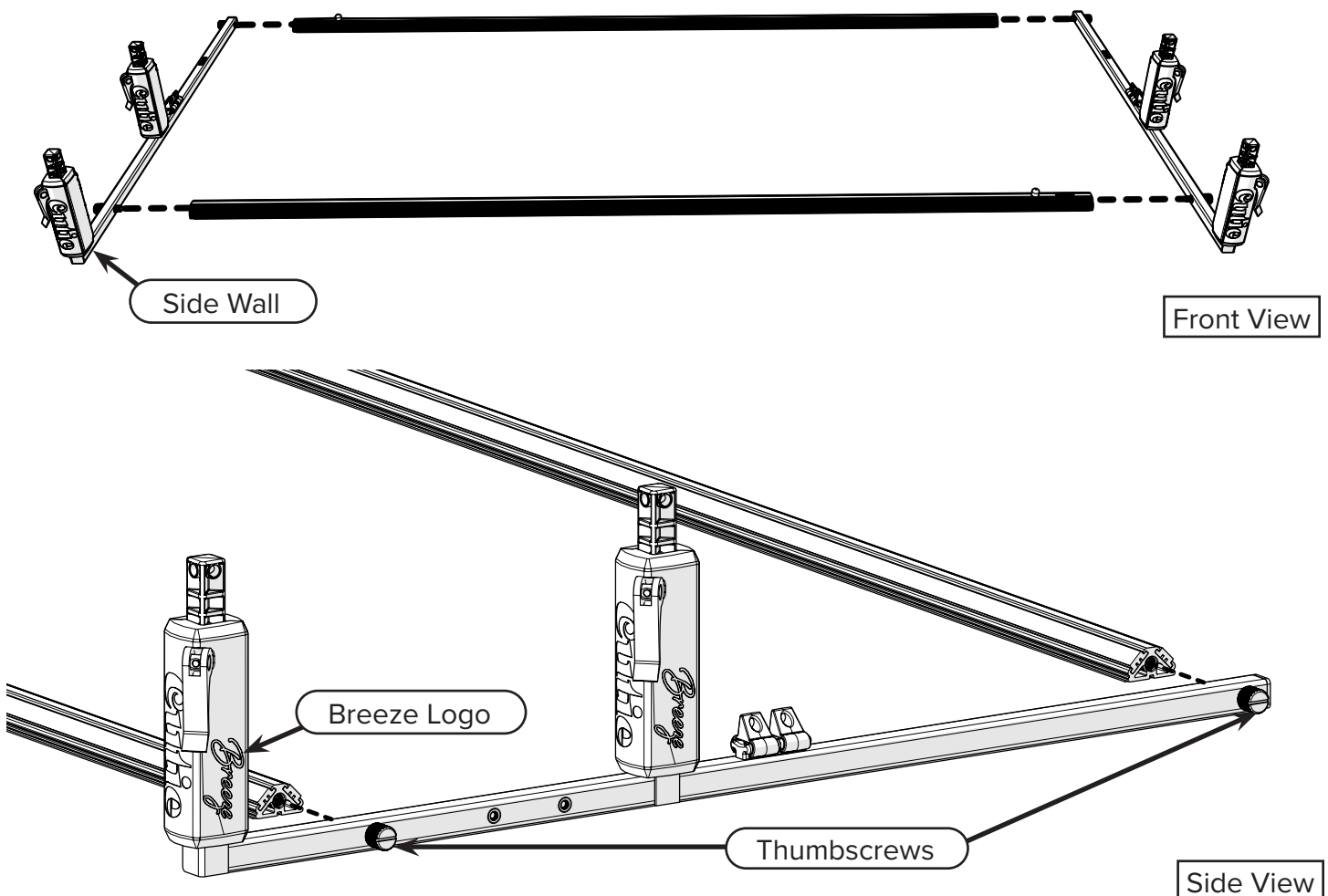


Task 1 - Attaching the Tracks to the Side Walls (continued)

- 2 Lay one track down with the **bumper on the left side**, and then lay the other track down parallel to the first with the **bumper on the right side**. The track with the bumper on the right side is now the front track.



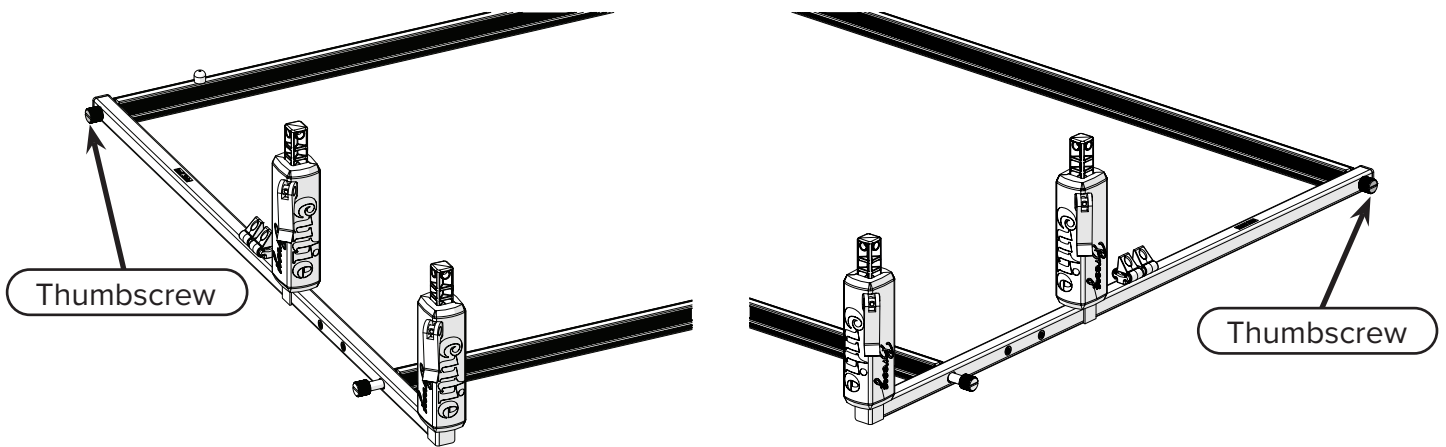
- 3 Align the holes in the ends of the tracks with the pre-installed **side wall thumbscrews**. The **Breeze logo** faces outward on the walls.



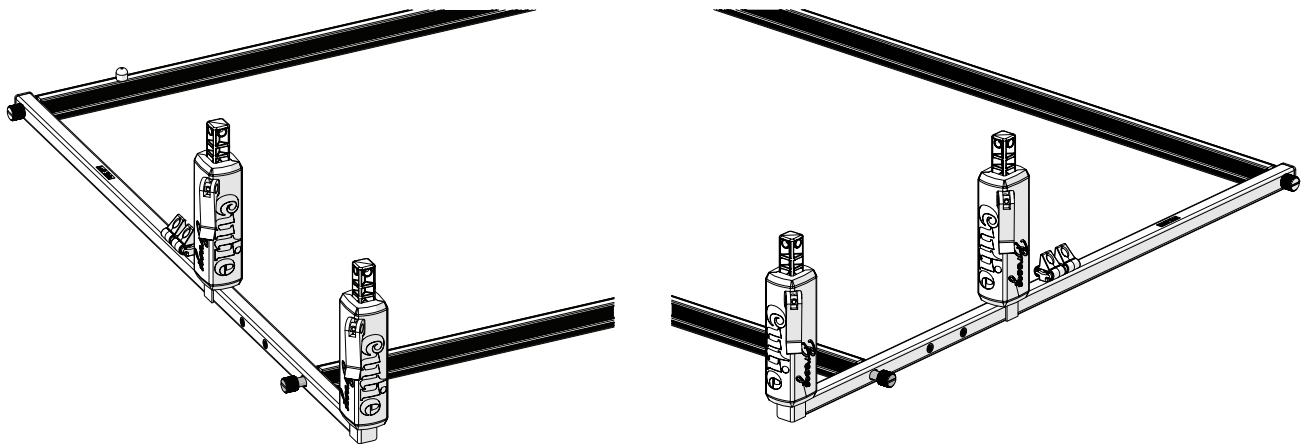
Part One

Task 1 - Attaching the Tracks to the Side Walls (continued)

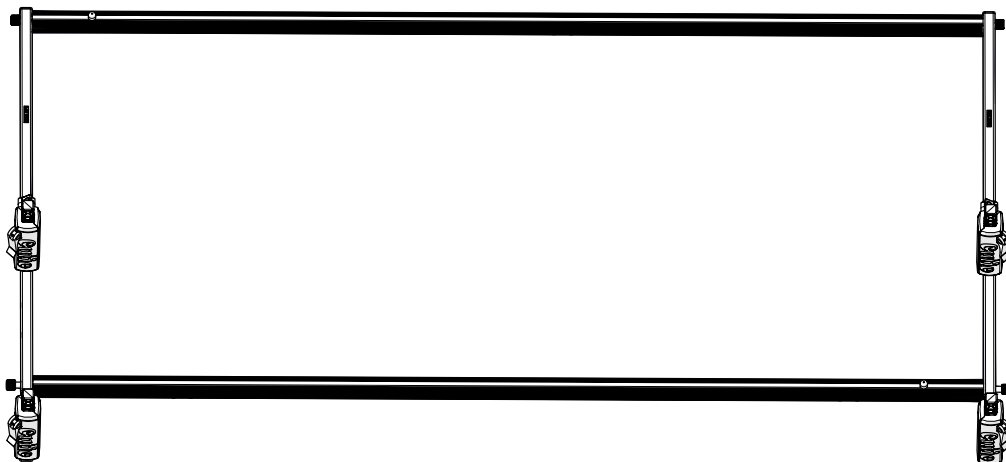
- 4 Fully tighten the attached **thumbscrew** in the *back* of each side wall to secure the side walls to the back track.



- 5 Loosely tighten the attached thumbscrew in the *front* of each side wall to connect the side walls to the front track. You will tighten the front screws in task 2.



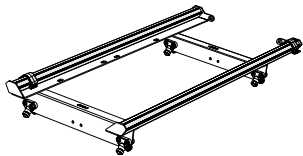
- 6 **Task Result:** The side walls are attached to the tracks.



Task 2 - Aligning the Tracks with the Bottom Carriage

Parts & Tools Needed

Bottom Carriage

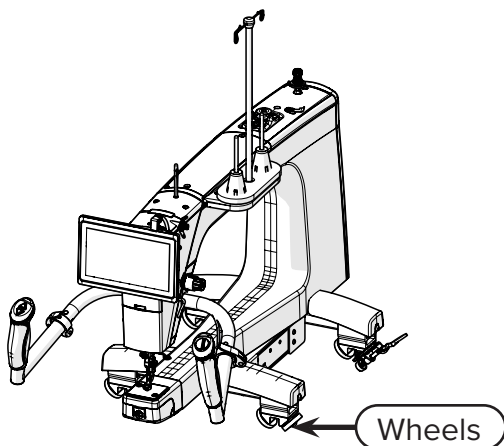


Instructions

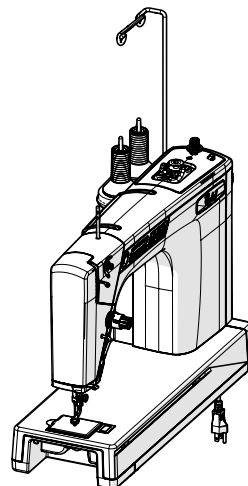
Take the following steps to install the bottom carriage and to align the tracks with the bottom carriage.

Note: As you start this task, make sure that the thumbscrews on the front track are only *loosely* screwed in.

- 1 The orientation of the bottom carriage is partially determined by the type of machine you are using with your frame. Look at your machine, and make sure you know which type of machine you have:
 - If your machine has **wheels** attached to the machine itself, and is designed primarily as a quilting machine, then your machine is a wheeled quilting machine. When this manual uses the phrase “wheeled machine” or “wheeled quilting machine,” pay attention, as that information applies to your machine.
 - If your machine does not have wheels, and either is designed primarily as a sewing machine or is designed to be both a sewing and quilting machine, then your machine is a wheel-less quilting machine. When this manual uses the phrase “wheel-less quilting machine” or “wheel-less sewing machine” or “wheel-less machine,” pay attention, as that information applies to your machine.



Wheeled Quilting Machine Example



Wheel-less Quilting Machine Example

Part One

Task 2 - Aligning the Tracks with the Bottom Carriage (continued)

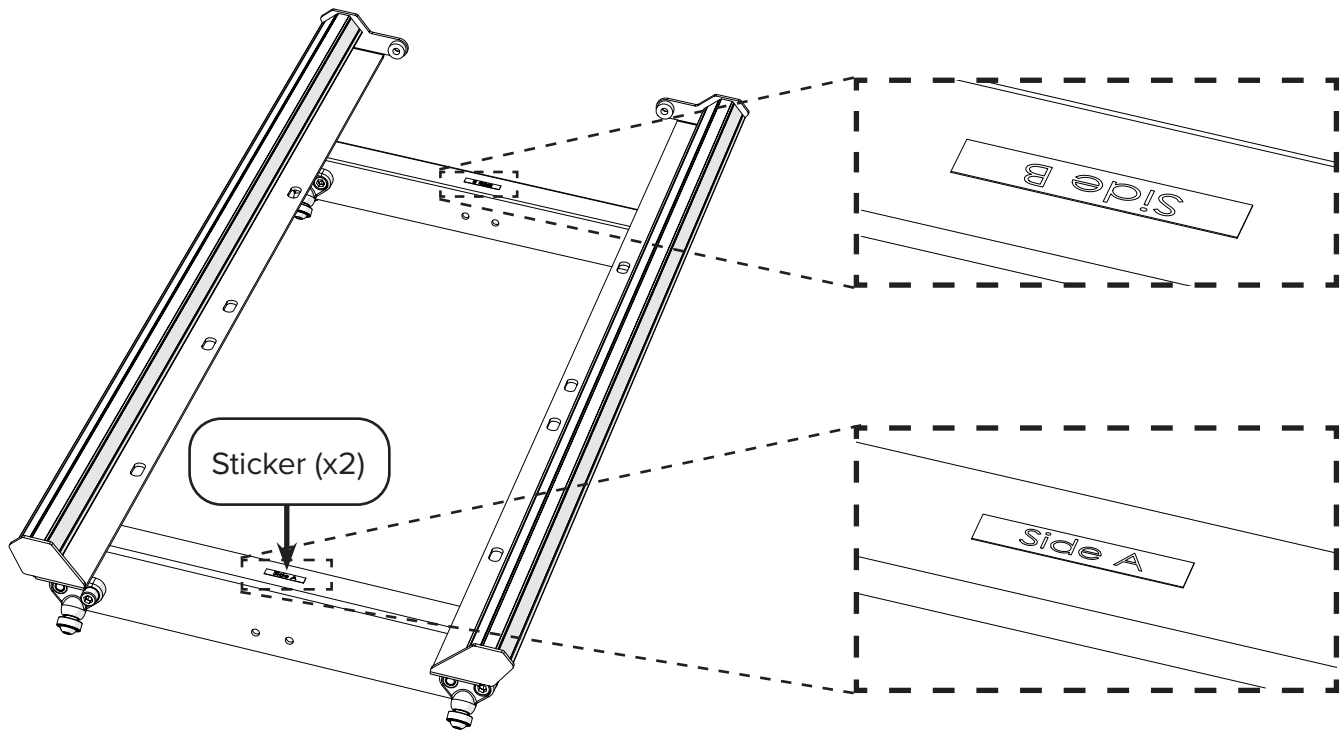
- 2 Set the **bottom carriage** on the tracks. Use the **stickers** on the bottom carriage to identify the sides. The orientation of the bottom carriage is determined by how you are using your frame and what type of machine you have.

Use **Side A** in the front if:

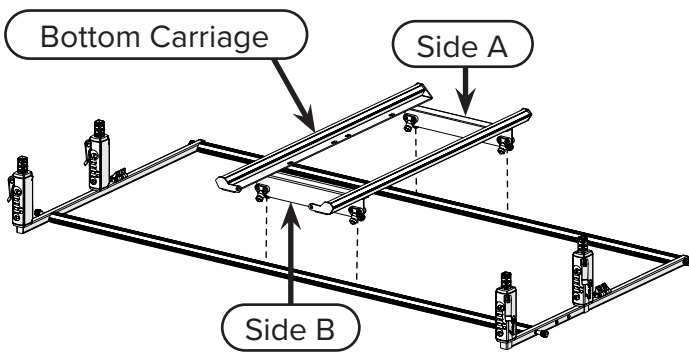
- You are using Quilter's Creative Touch (QCT, formerly Quiltmotion) with any kind of machine.
- You have a wheeled quilting machine.

Use **Side B** in the front if:

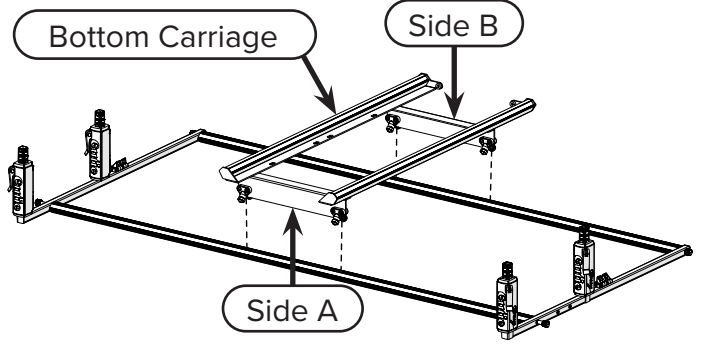
- You have a wheel-less machine to put on the top plate.



Side B Toward Front

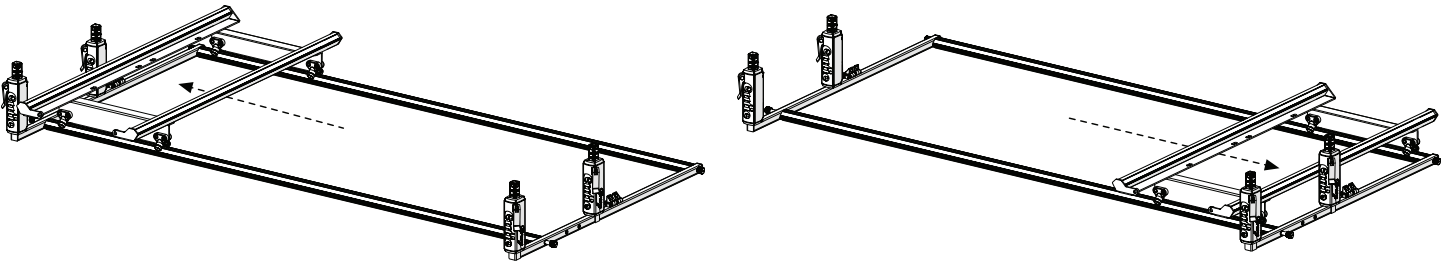


Side A Toward Front

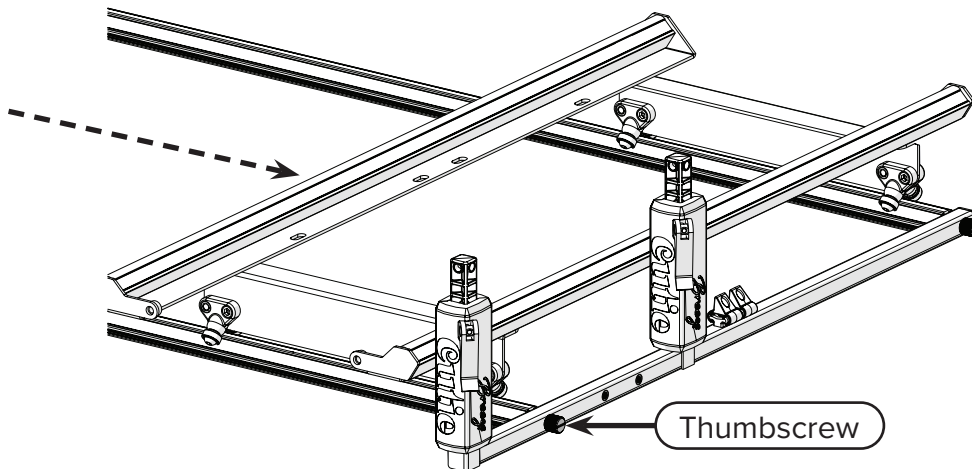


Task 2 - Aligning the Tracks with the Bottom Carriage (continued)

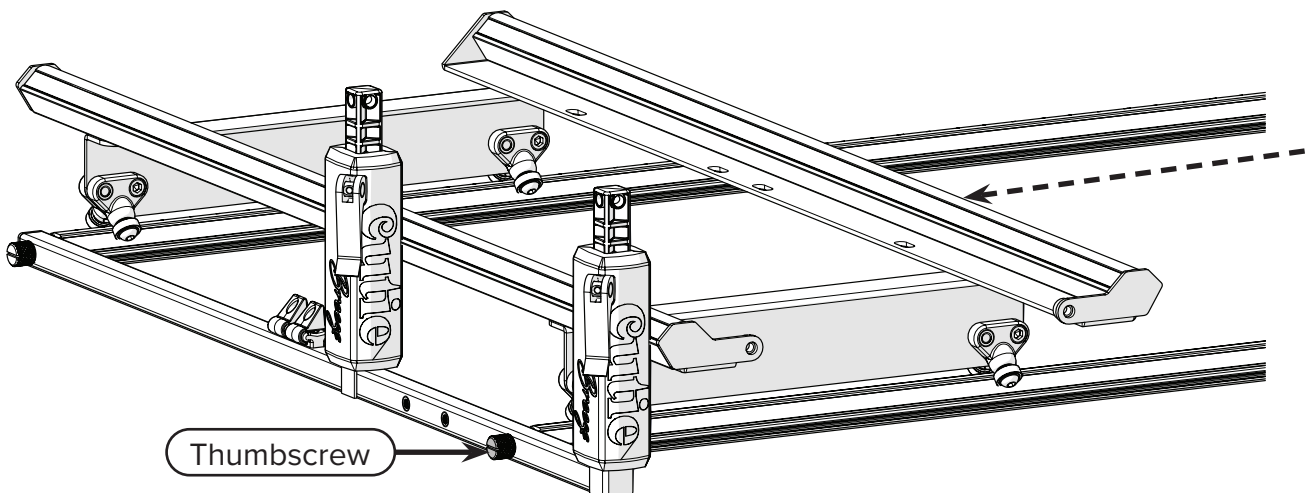
- 3 To align the tracks and the bottom carriage, move the carriage as far to the left as possible, and then move it as far to the right as possible. Repeat this motion a few times, until you're confident the carriage moves smoothly and evenly along the tracks. **Note:** Your bottom carriage might be oriented differently from the example images, but the process is the same.



- 4 Make sure the carriage is all the way to the right. Tighten the front **thumbscrew** on the right side wall.



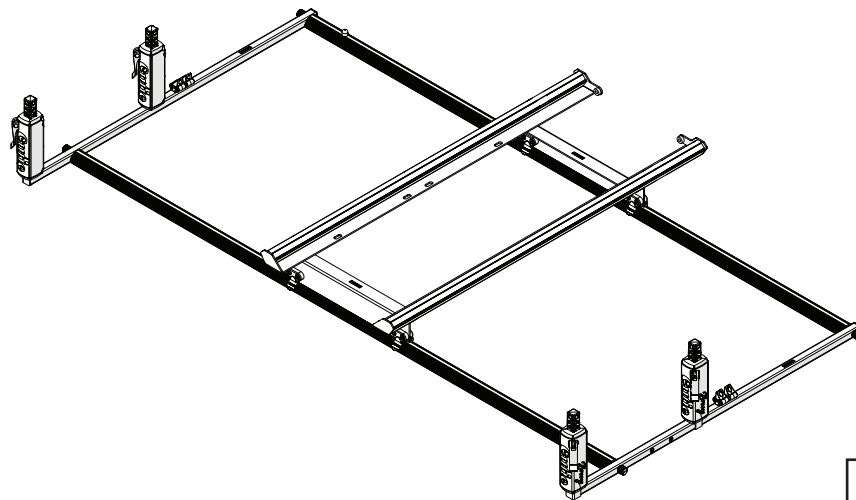
- 5 Move the carriage all the way to the left. Tighten the front **thumbscrew** on the left side wall.



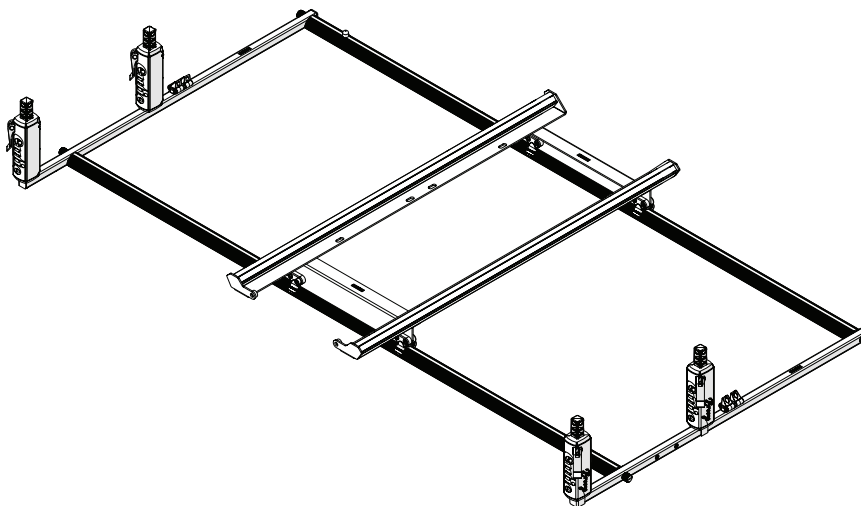
Part One

Task 2 - Aligning the Tracks with the Bottom Carriage (continued)

- 6 **Task Result:** The bottom carriage is on the tracks, and the tracks have been aligned.



Side A Toward Front



Side B Toward Front

Note: As you're quilting on the frame, if you notice that the rails or rail holders are shaking, you might need to tighten the thumbscrews holding the tracks to the side walls to make sure the walls are stable.

Make sure that the bottom carriage is next to the side you are tightening, and then use your hand to tighten the thumbscrews as much as possible.

If you find that the issue is still happening, then use a flathead screwdriver (not a power tool!) to tighten down the screws a bit more. Turn the screwdriver about a quarter turn and then check whether the walls are stable. Once the walls are stable, stop tightening, even if the screw might be able to be tighter. You *must not* overtighten the screws.

Congratulations!

You have completed Part One of assembling your Cutie Breeze frame.

Before continuing to Part Two of these instructions, complete any of the following that apply to you:

- If you are assembling a wheeled quilting machine, then complete Part One of your machine instruction manual. The end of Part One instructs you what to do next. If your machine manual is not broken into parts, then complete the following:
 1. Install the lower encoder onto the bottom carriage, according to your machine manual.
 2. Complete Part One of your Quilter's Creative Touch (QCT, formerly QuiltMotion) manual.
 3. Install and adjust your machine wheels and place your machine onto the frame, according to your machine manual.
 4. Complete Part Two of your QCT manual.
- If you are using the top plate with a wheel-less sewing/quilting machine, then complete Parts One and Two of your QCT manual. Otherwise, continue to Part Two of these Cutie Breeze frame instructions.
- If you are using a SureStitch or SureStitch Elite accessory, then install the lower encoder on the bottom carriage. See "Lower Encoder Installation" on page 63.



Part Two

Before completing the tasks in Part Two, make sure you have completed the applicable items listed below. Some items only apply if you have purchased the item they're describing, and you can skip them otherwise.

Progress Checkpoint

Have you:

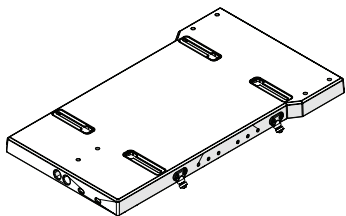
- Installed the lower encoder onto the bottom carriage? (wheeled quilting machine manual Part One or “Lower Encoder Installation” on page 63)
- Completed Part One of Quilter’s Creative Touch (QCT, formerly QuiltMotion)? (optional accessory)
- Aligned your machine wheels? (wheeled quilting machine manual Part Two)
- Completed Part Two of QCT? (optional accessory)

Task 3 - Attaching the Handles to the Top Plate	11
Task 4 - Installing Your Machine	15
Wheeled Quilting Machine Installation	15
Wheel-less Sewing Machine with Top Plate Installation	16

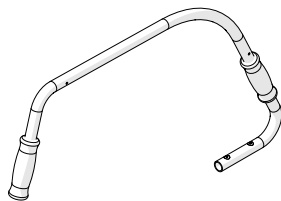
Task 3 - Attaching the Handles to the Top Plate

Parts & Tools Needed

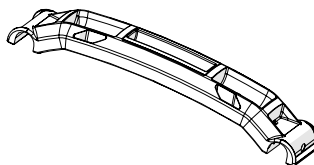
Top Plate



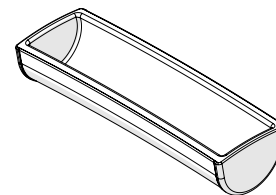
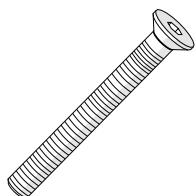
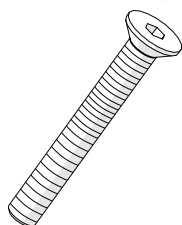
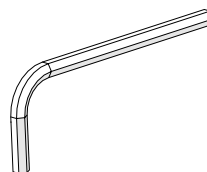
Handle (x2)



Handle Bracket



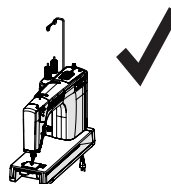
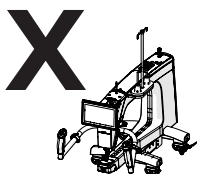
M-Class Bobbin Holder

Socket FHS
M4 x 35 mm (x2)Socket FHS
M4 x 16 mm (x4)Allen Wrench
2.5 mm

Instructions

If you are using a wheeled quilting machine, skip this task. If you are using a wheel-less quilting machine, then you must assemble the top plate.

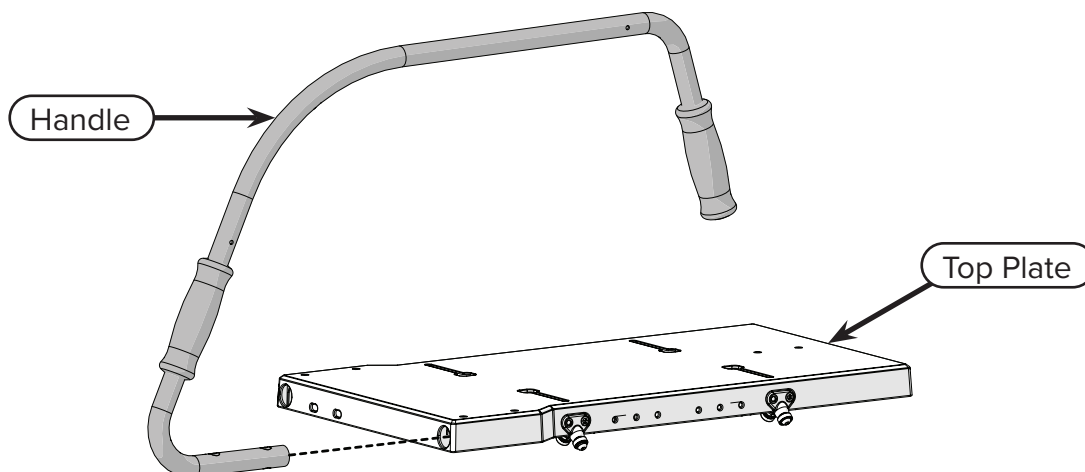
Wheeled Machine



Wheel-less Machine

Take the following steps to attach the handles to the top plate:

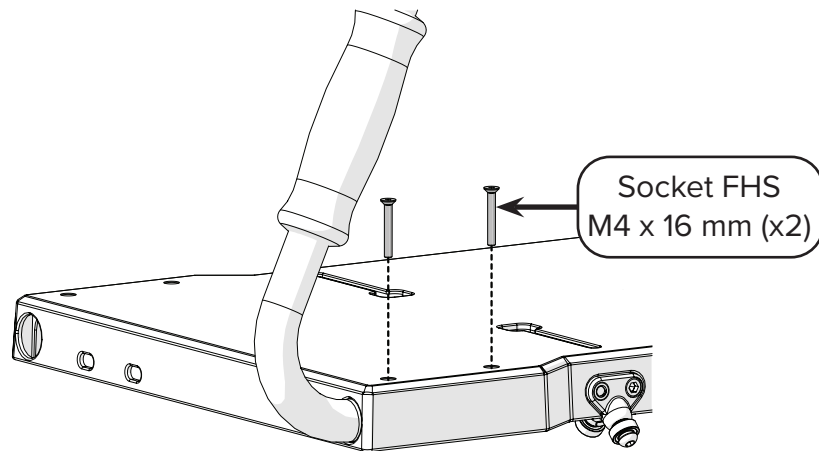
- 1 Slide the bottom of one of the **handles** into one of the large holes in the back of the **top plate** so the screw holes in the handle align with the screw holes in the top plate.



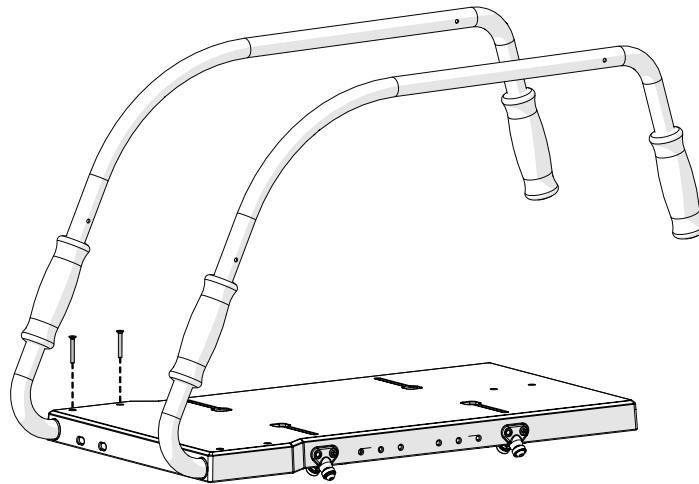
Part Two

Task 3 - Attaching the Handles to the Top Plate (continued)

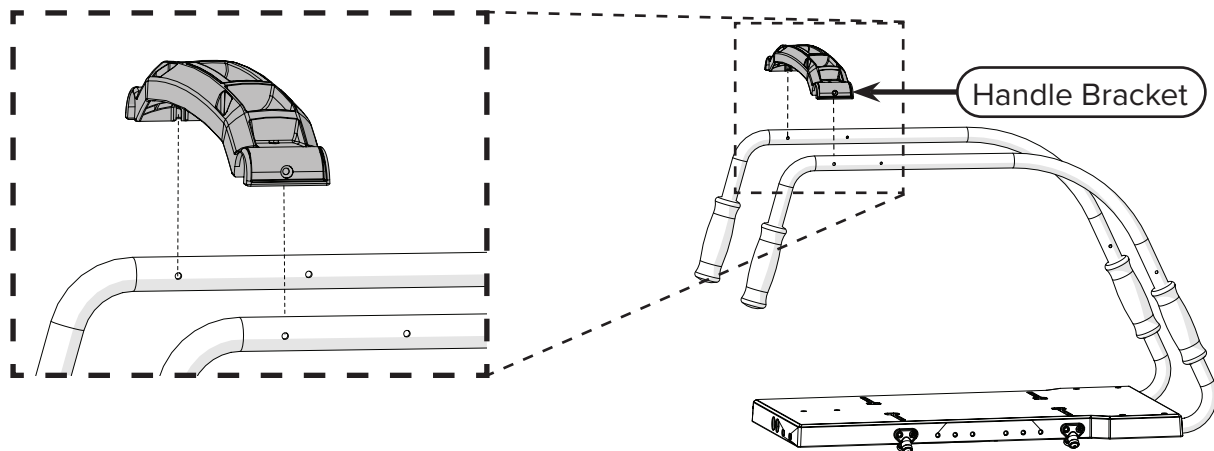
- 2 Using the 2.5 mm Allen wrench, secure the handle to the plate with two **M4 x 16 mm Socket FHS**.



- 3 Repeat steps 1–2 for the other handle.

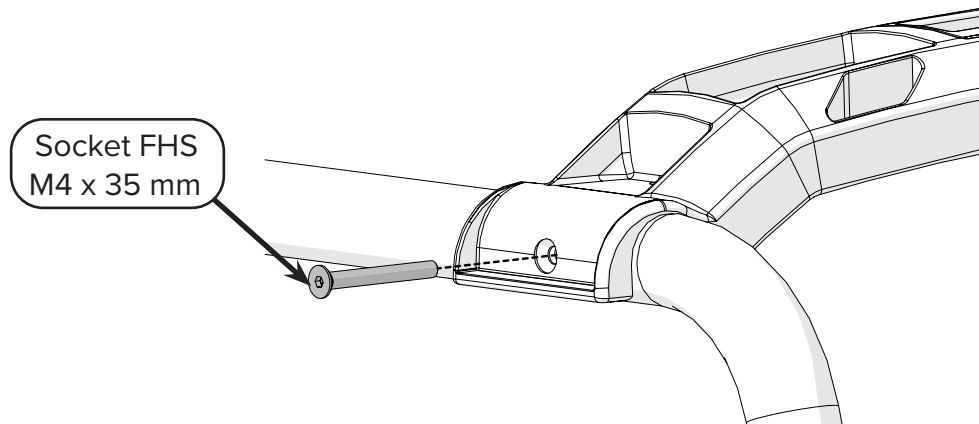


- 4 Align the **handle bracket** with the holes near the front and top of the handles.

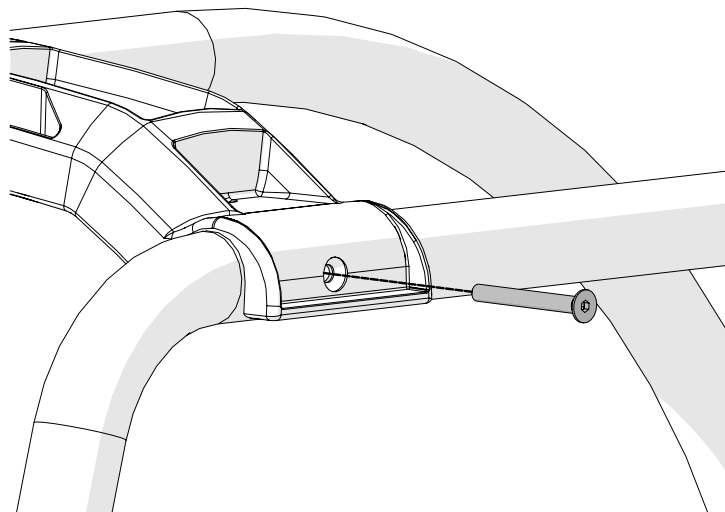


Task 3 - Attaching the Handles to the Top Plate (continued)

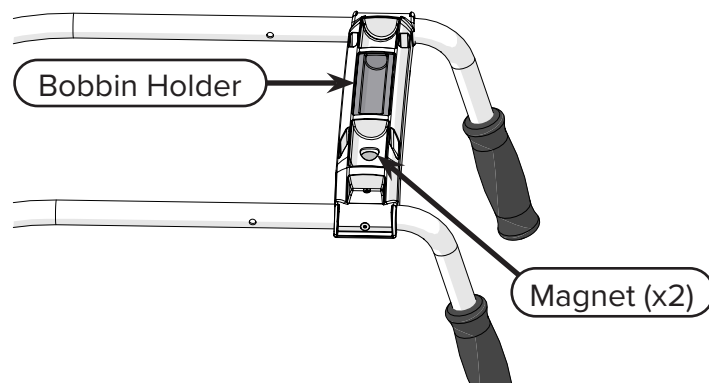
- 5 Pick a handle. On the outside of the handle bracket, using the Allen wrench, tighten an **M4 x 35 mm Socket FHS** to secure the bracket to the handle.



- 6 Repeat step 5 with the other handle.



- 7 The handle bracket is designed to hold extra bobbins and pins. It has built-in **magnets** to keep your pins in the trough. The handle bracket also comes with L-class and M-class **bobbin holders**. You can put in whichever bobbin holder matches the type of bobbins you use. The L-class bobbin holder is shipped in the handle bracket.

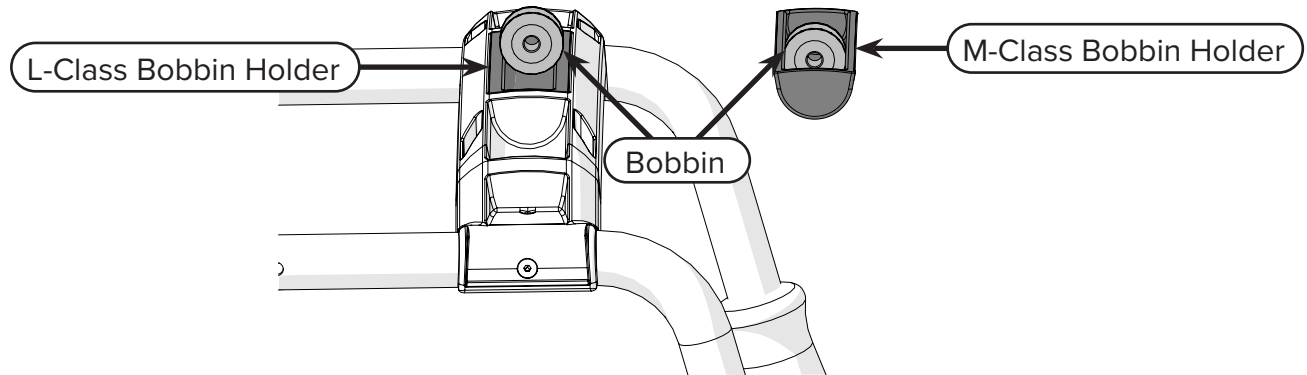


Part Two

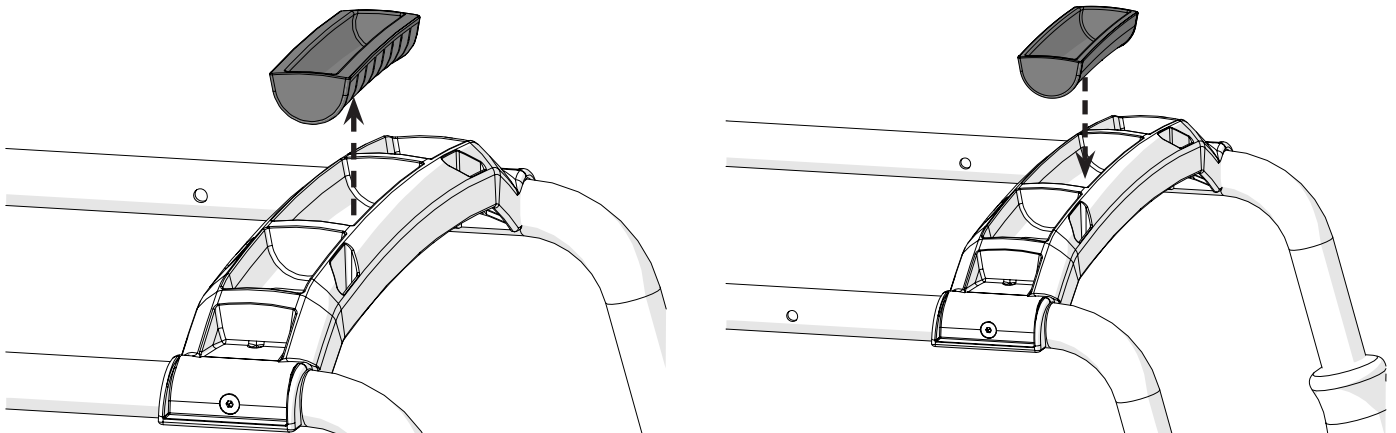
Task 3 - Attaching the Handles to the Top Plate (continued)

Take the following steps to switch out the bobbin holder:

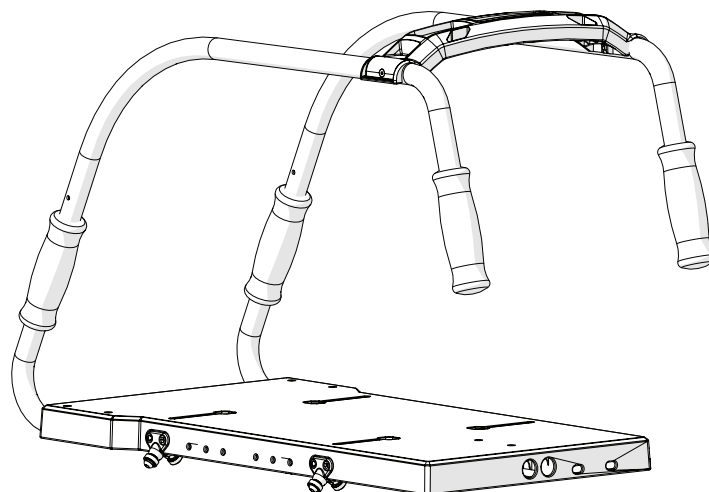
- a Compare your **bobbin** with the **bobbin holder** in the handle bracket and in the box to see whether you need to change it. M-class bobbins don't fit in the L-class bobbin holder.



- b Pop the flexible plastic bobbin holder out of the handle bracket. Press the other bobbin holder into the handle bracket until it is flush with the top of the bracket.



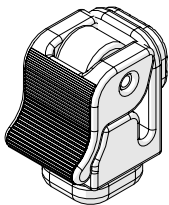
- 8 **Task Result:** The handles are attached to the top plate.



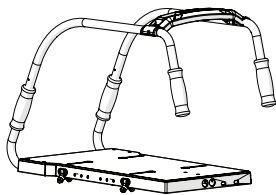
Task 4 - Installing Your Machine

Parts & Tools Needed

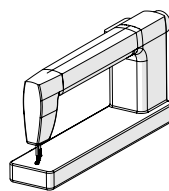
Sewing Machine
Clamp (x4)



Assembled
Top Plate



Sewing Machine
(not included)



Note: Your machine might look different from the example machine.

Instructions

You can use your Cutie Breeze frame with a wheeled quilting machine or with a wheel-less sewing machine on the top plate. Your machine manual might have already instructed you to install your machine. If so, simply skip this task.

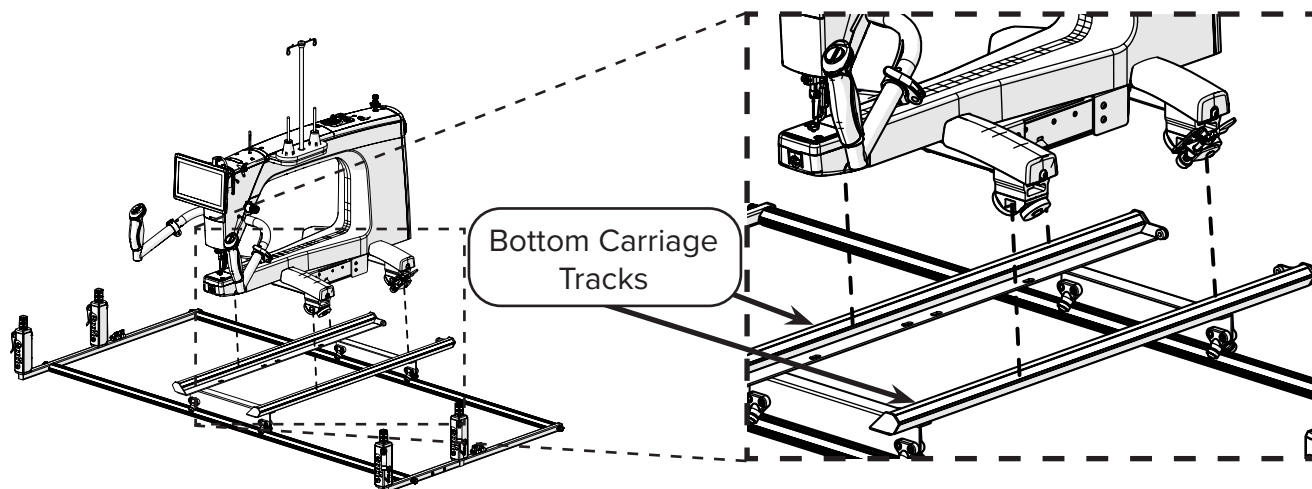
Do one of the following to install your machine:

- If you are installing a wheeled quilting machine, complete the steps under “Wheeled Quilting Machine Installation” on page 15.
- If you are installing a sewing machine on the top plate, complete the steps under “Wheel-less Sewing Machine with Top Plate Installation” on page 16.

Wheeled Quilting Machine Installation

Complete the following steps to install a wheeled quilting machine:

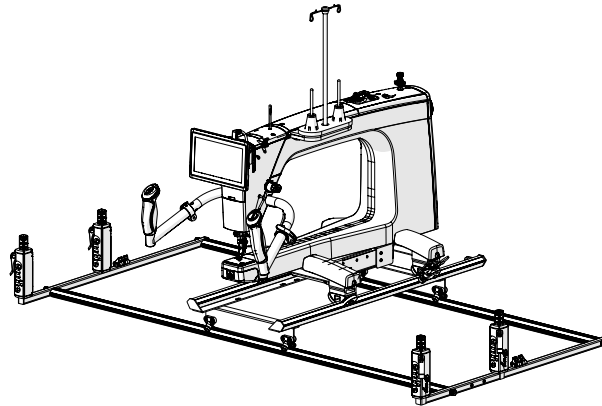
- 1 Place the machine so that the wheels ride the **bottom carriage tracks**.



Part Two

Task 4 - Installing Your Machine (continued)

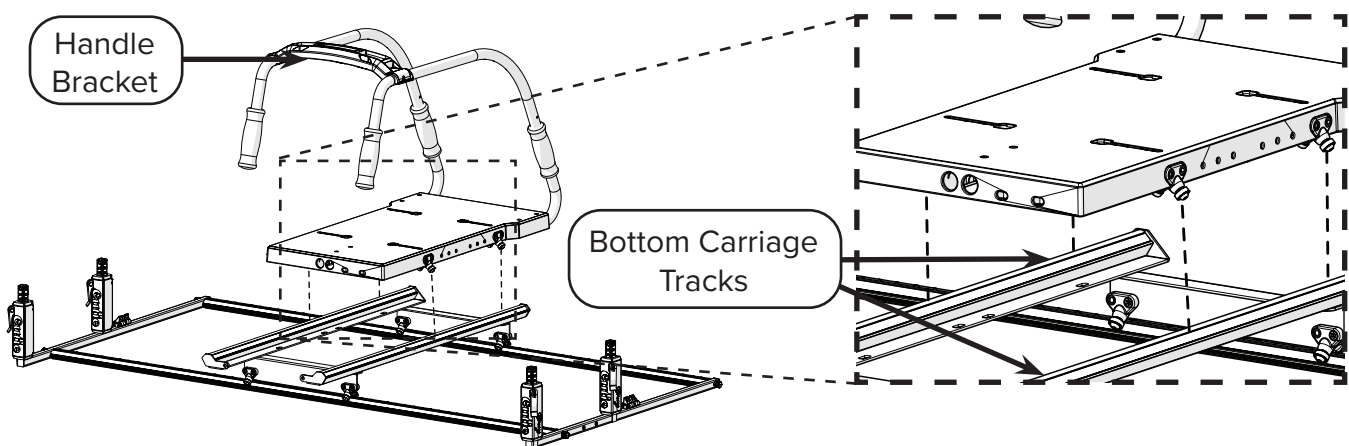
- 2 **Task Result:** The wheeled quilting machine is installed on the bottom carriage.



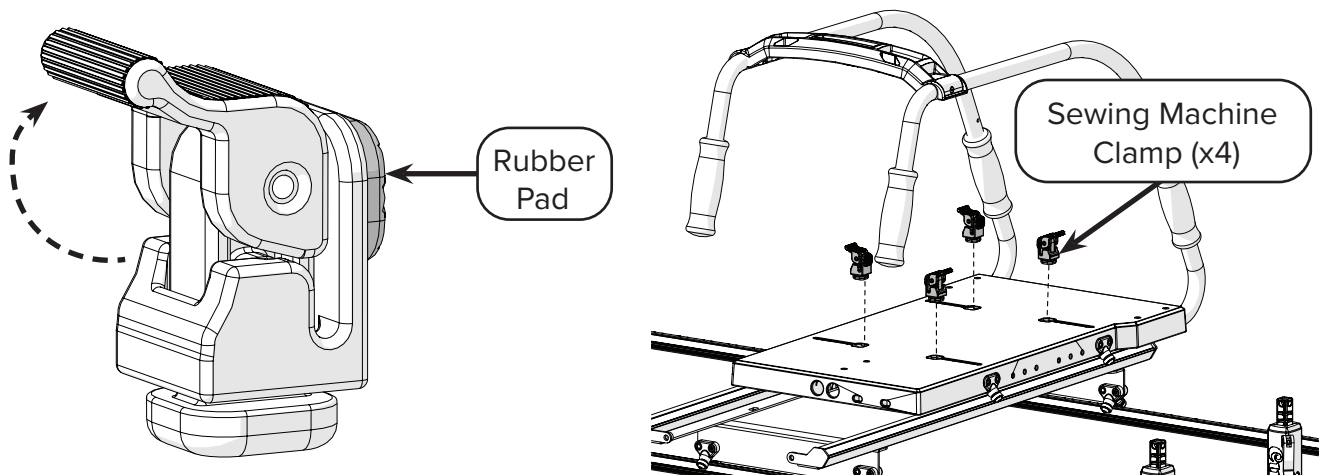
Wheel-less Sewing Machine with Top Plate Installation

Complete the following steps to install a sewing machine on the top plate:

- 1 Place the top plate so the wheels ride the **bottom carriage tracks**. Make sure the **handle bracket** on the top plate is toward the front of the frame.

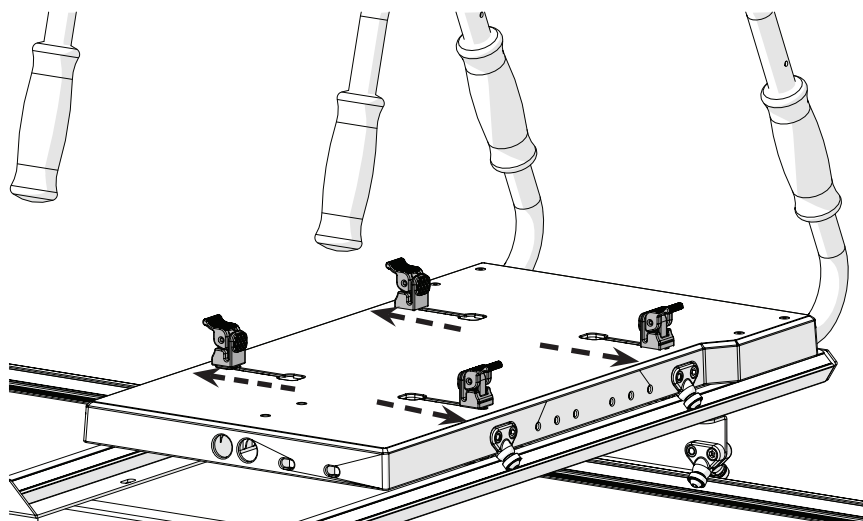


- 2 Open the four **sewing machine clamps** and place them into the slots in the top plate. The **rubber pads** must face toward the center of the top plate.



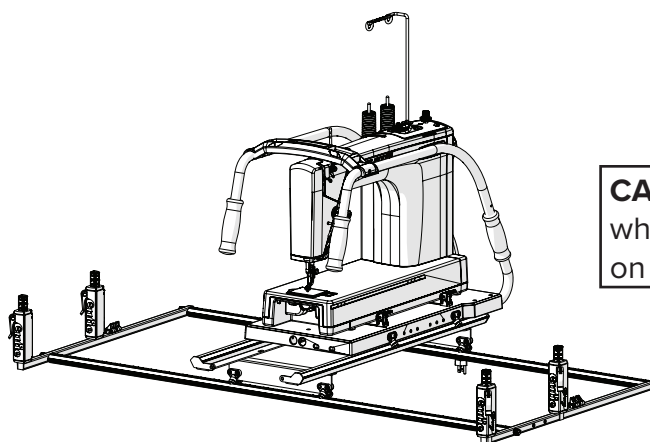
Task 4 - Installing Your Machine (continued)

- 3 Slide the sewing machine clamps toward the outer edge of the top plate.



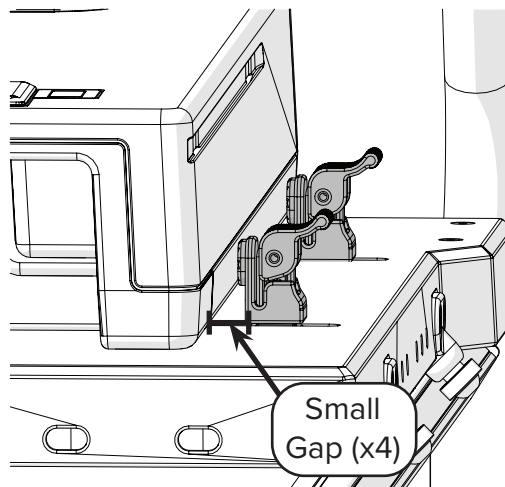
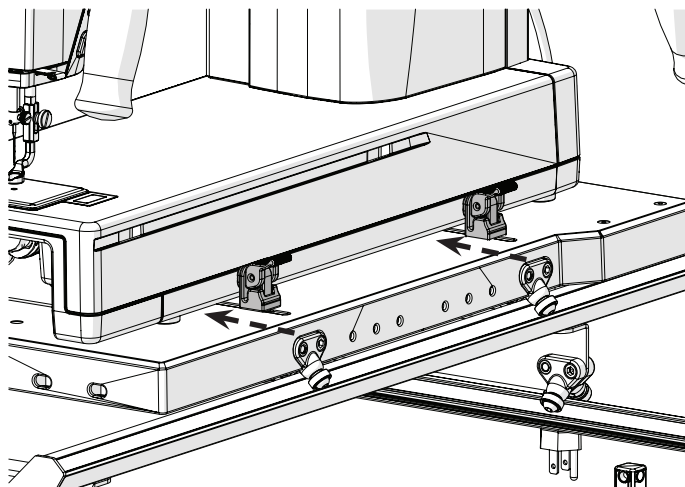
- 4 Place your machine on the top plate, centered between the sewing machine clamps.
Note: If you cannot set your machine on the top plate with all four clamps in place, use fewer clamps to secure the machine.

Note: If you haven't put the frame on a table or other work surface yet, then move the frame to the work surface before you put the machine on.



CAUTION: Take care when placing the machine on the top plate.

- 5 Press the sewing machine clamps close to the machine, but do not press them up against the side. Leave a **small gap** between the clamps and the machine.

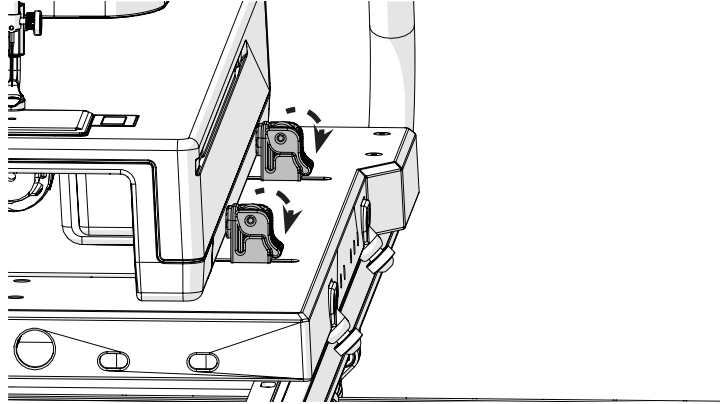


Part Two

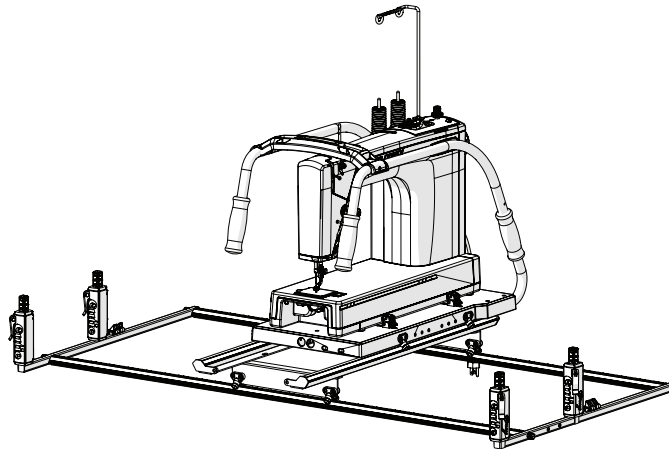
Task 4 - Installing Your Machine (continued)

- 6 Close the clamps. They now press up against the machine.

Note: If the clamps don't press up against the machine, open them back up, move them slightly closer to the machine, and then close the clamps again.



- 7 **Task Result:** Your machine is installed on the top plate and frame, and is securely held by the clamps.



Congratulations!

You have completed Part Two of the Cutie Breeze assembly.

If you are using a SureStitch accessory, then install the upper encoder onto the top plate. See “Upper Encoder Installation” on page 66.

If you are using a wheel-less sewing machine on the top plate, then continue to Part Three of these instructions.

If you are using a wheeled quilting machine, then complete the tasks in Part Two of your quilting machine manual. If your manual is not broken into parts, then do the following applicable things:

1. Install the machine wheel covers.
2. Install the handlebars.
3. Install the display.
4. Install the thread mast.
5. Install the upper encoder onto the machine.



Part Three

Before completing the tasks in Part Three, complete the following applicable tasks.

Progress Checkpoint

SureStitch accessory users, have you installed the upper encoder on the top plate? (See “Upper Encoder Installation” on page 66.)

Wheeled quilting machine users, have you:

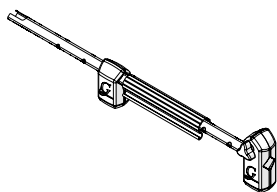
- Completed Part Three of your machine instruction manual?
 - Installed wheel covers?
 - Installed handlebars?
 - Installed display?
 - Installed thread mast?
 - Installed upper encoder?

Task 5 - Adjusting the Rail Holders	21
Task 6 - Attaching the Front Rail	23
Task 7 - Installing and Adjusting the Take-Up Rail.....	26
Task 8 - Managing the Foot Pedal Cable	32
Routing the Cable From the Back	33
Routing the Cable From the Front	34
Task 9 - Moving the Carriage Stop Clip.....	37
Task 10 - Adjusting the Carriage Stop Clips	39

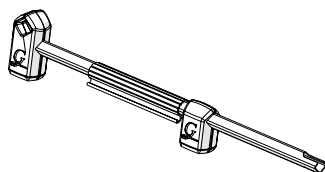
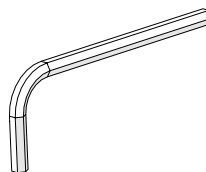
Task 5 - Adjusting the Rail Holders

Parts & Tools Needed

Rail Holder (Right)



Rail Holder (Left)

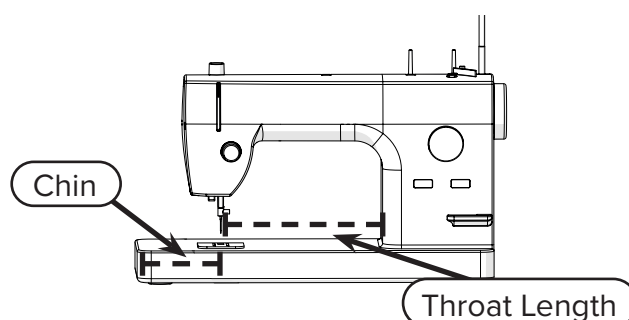
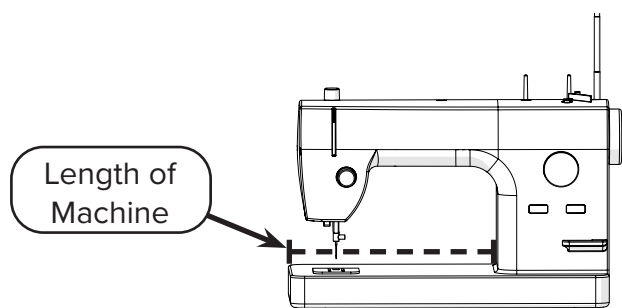
Allen Wrench
2.5 mm

Instructions

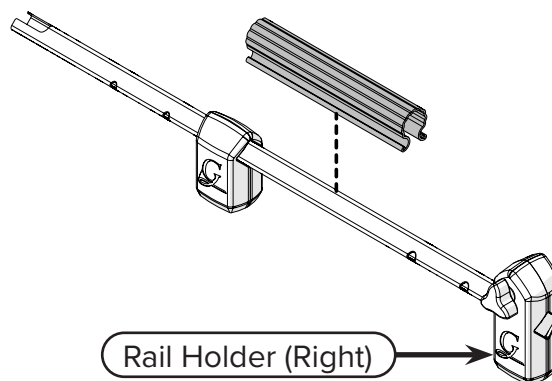
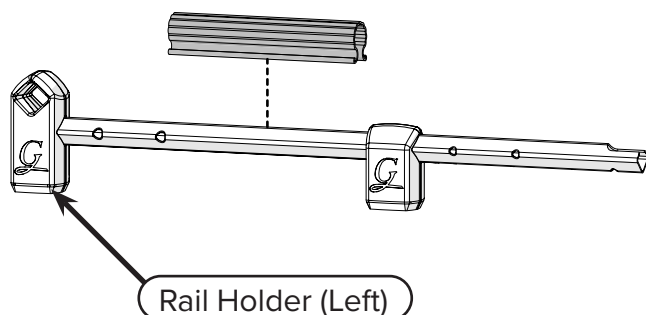
Before you attach the front rail to the Cutie Breeze frame, you must make sure the rail holders are adjusted to the correct length for your machine. Take the following steps to adjust the rail holders:

- 1 Measure **the length of your machine**, and write down the number to use later. If your machine has a combined throat and chin length (see note) of 16 $\frac{1}{8}$ –20 inches, then you don't need to adjust the rail holders from the length they were shipped at. Skip to the next task. If your machine length is less than 16 inches, then you need to adjust the rail holders. Continue to step 2.

Note: In general, the length of your machine is determined by the **throat length** (the distance between the needle and the vertical part of the machine). However, to adjust the rail holders correctly, you also need to include the **“chin.”** The chin is the amount, if any, that the bed of the machine sticks out beyond the needle. Measure the total length of the bed of the machine.



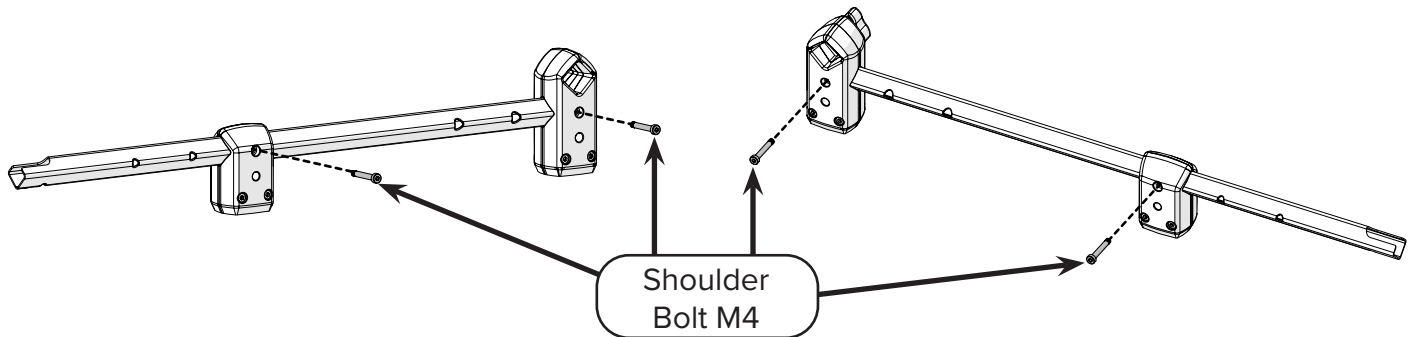
- 2 For both the **left** and **right rail holder**, remove the side clamps. Keep the clamps nearby to use later.



Part Three

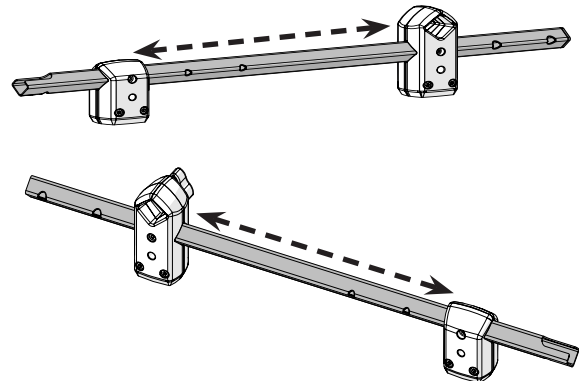
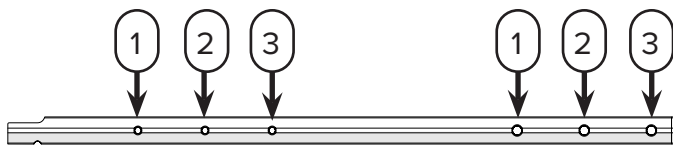
Task 5 - Adjusting the Rail Holders (continued)

- 3 For both the left and right rail holder, use the 2.5 mm Allen wrench to unscrew the two **M4 shoulder bolts** from the top of the plastic towers.

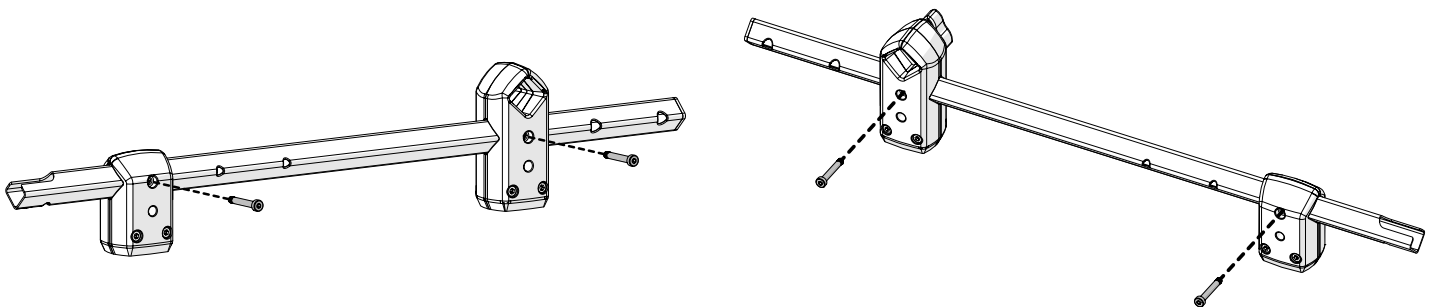


- 4 For each rail holder, slide the rail until the correct holes on the rail line up with the holes in the plastic towers. Use the measurement you wrote down earlier and refer to the table to determine which holes on the rail are correct. The holes are numbered starting with the hole closest to the open end of the rail. Set both rail holders to the same holes.

Length of Machine	Holes on Rail
14 in. or less	1
14 1/8 in. to 16 in.	2
16 1/8 in. to 20 in. (default)	3



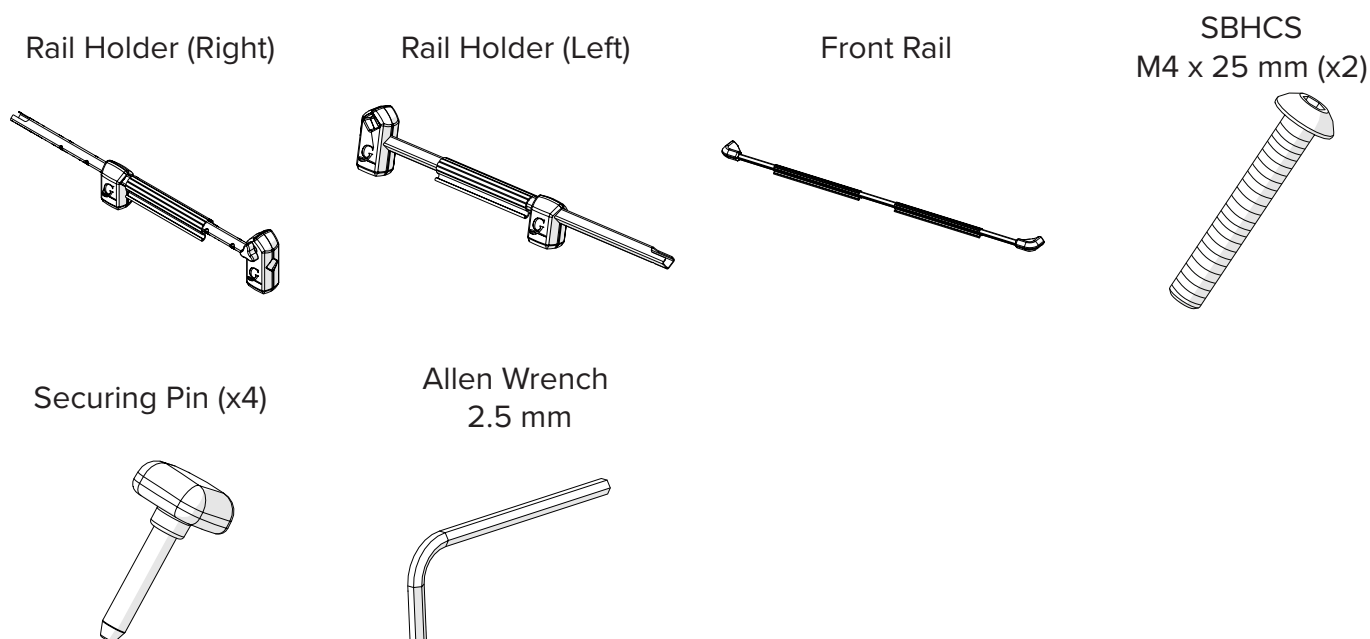
- 5 For each rail holder, use the 2.5 mm Allen wrench to reinstall the two M4 shoulder bolts into the plastic towers.



- 6 **Task Result:** The rail holders are adjusted to the correct length for your machine.

Task 6 - Attaching the Front Rail

Parts & Tools Needed

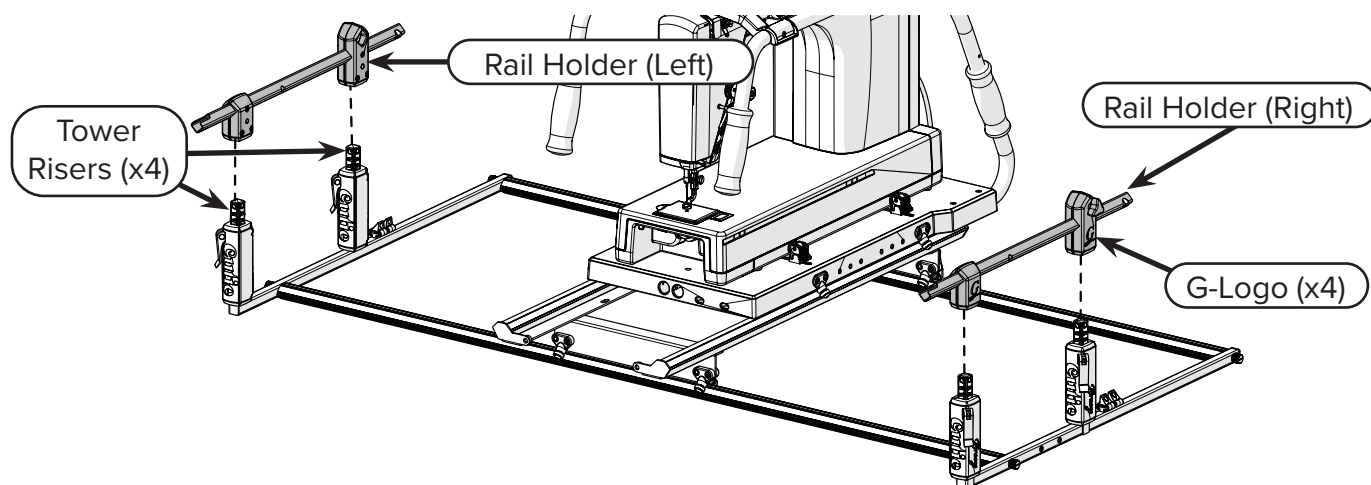


Instructions

Once the rail holders are the correct length for your machine, you are ready to attach the front rail. Take the following steps to attach the front rail.

Note: The images in this task show a wheel-less quilting machine on the top plate, but the steps are the same if you are using a wheeled quilting machine.

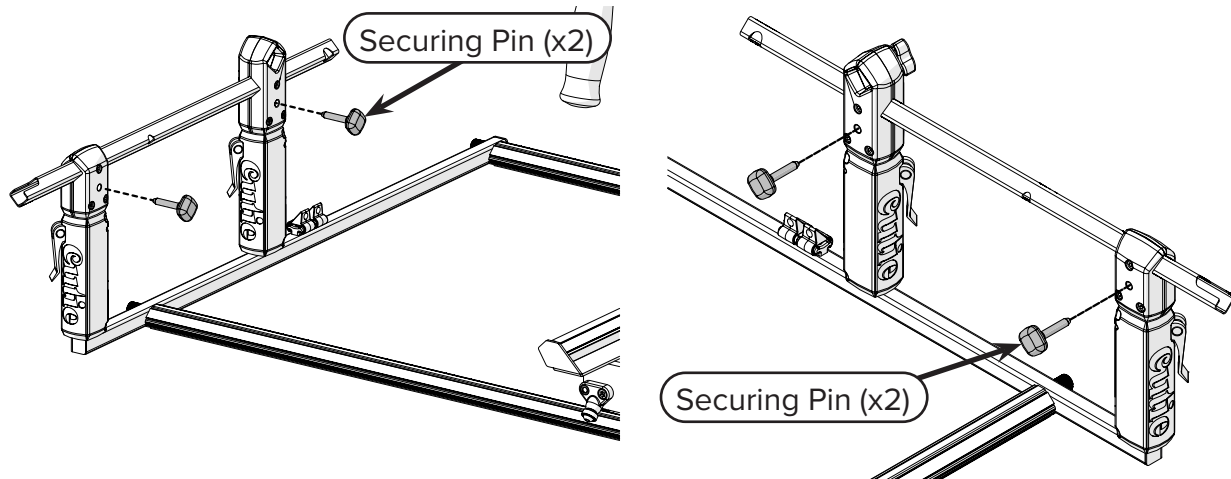
- 1 Slide the **rail holders** on to the **tower risers** on the side walls. Make sure that the **G-logo** is facing out and that the taller plastic towers of each rail holder are in the back.



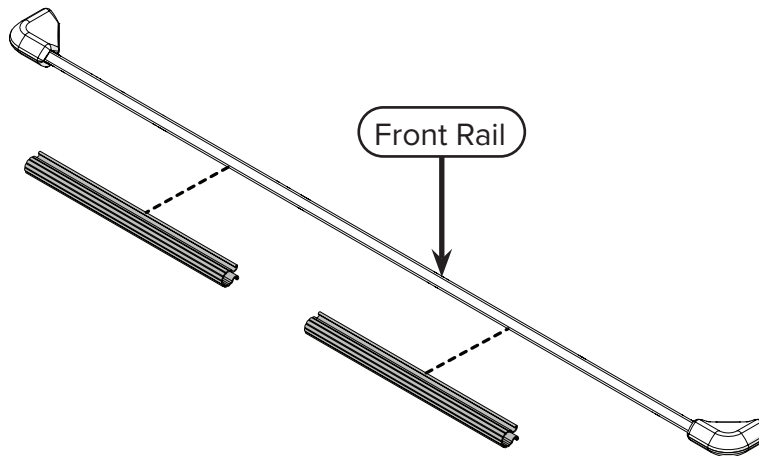
Part Three

Task 6 - Attaching the Front Rail (continued)

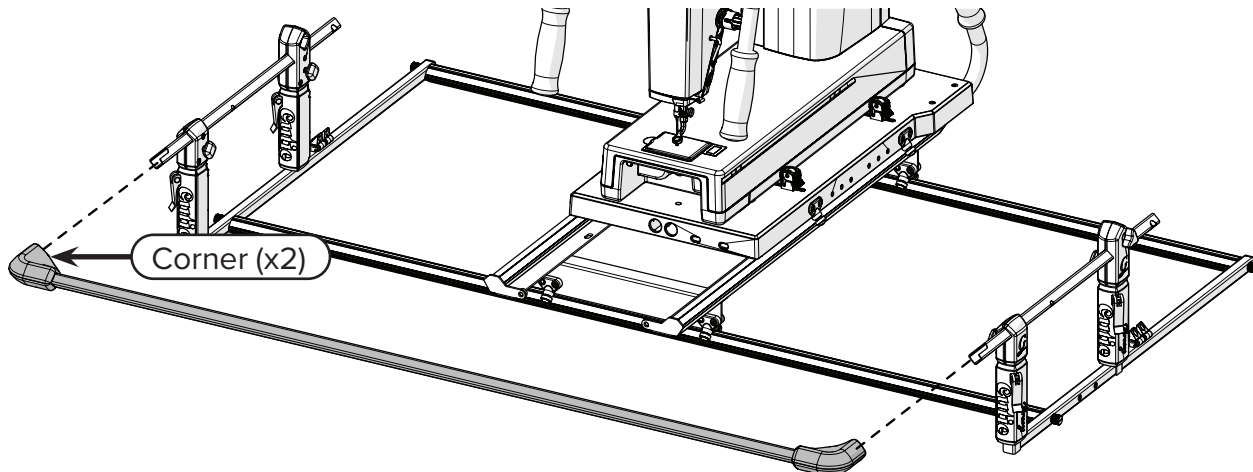
- 2 Secure the rail holders to the side walls by pushing the **securing pins** into the central holes on the rail holders.



- 3 Remove the clamps from the **front rail**. Keep the clamps nearby to use later.

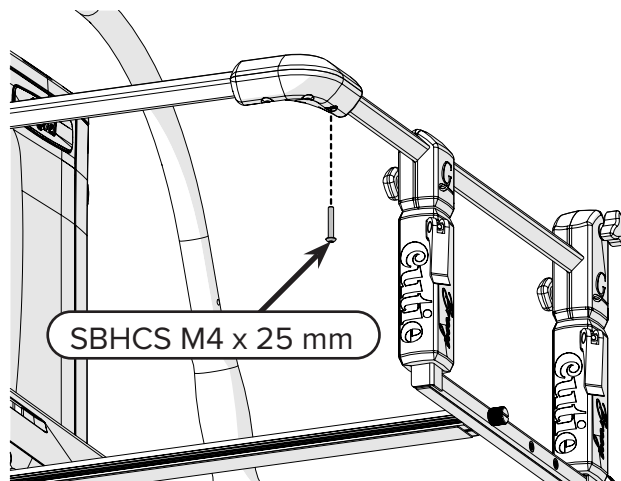
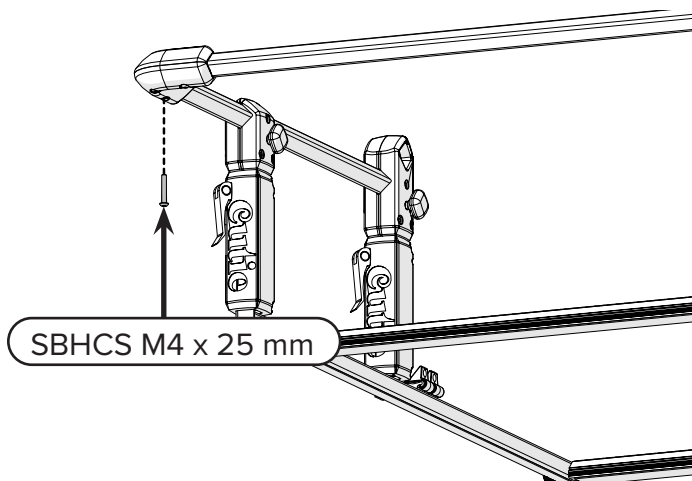


- 4 Slide the front rail onto the rail holders. Make sure that the screw holes on the **corners** are on the bottom.

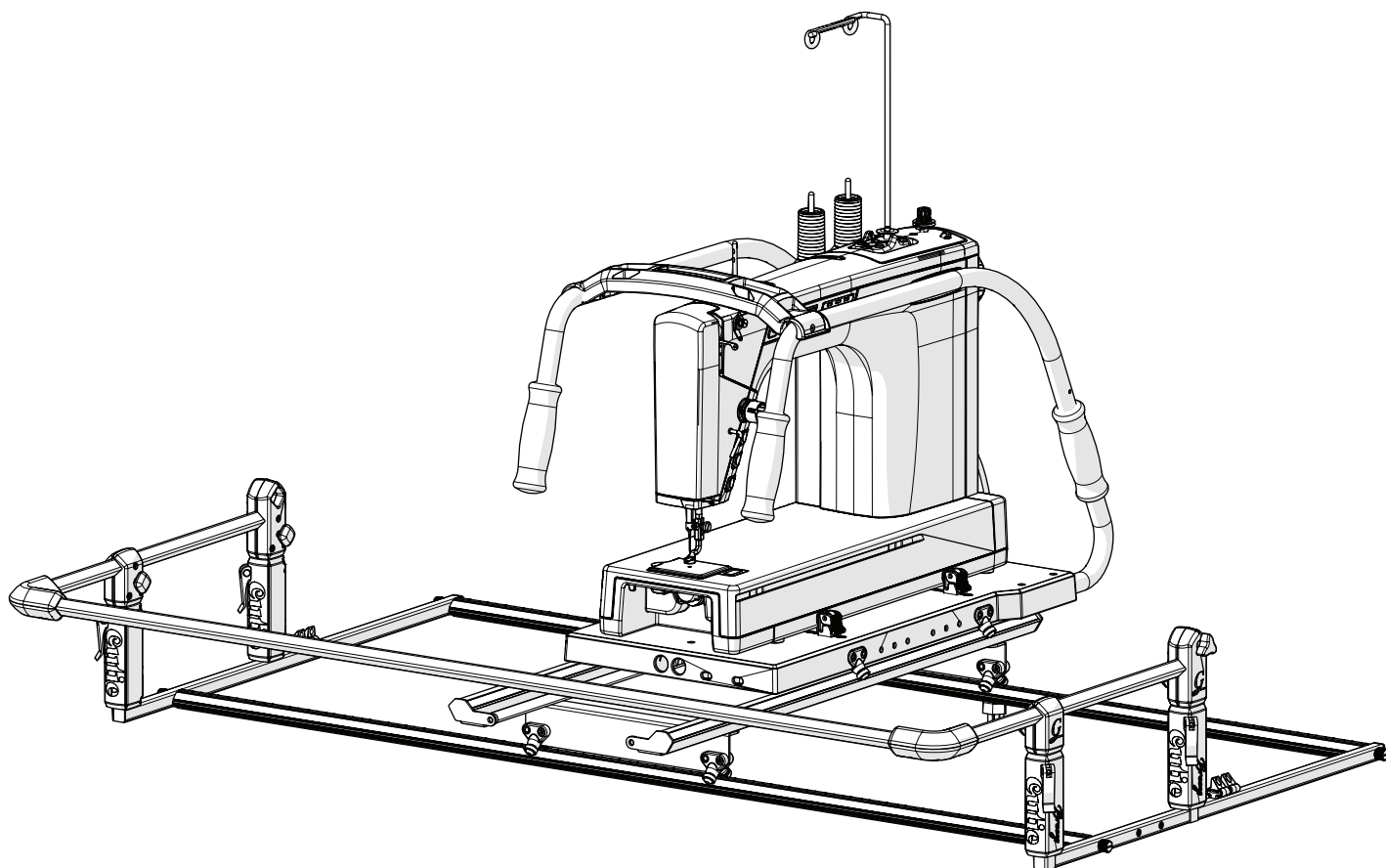


Task 6 - Attaching the Front Rail (continued)

- 5 Secure the front rail to the rail holders using the 2.5 mm Allen wrench and the two **M4 x 25 mm SBHCS**.



- 6 **Task Result:** The front rail is attached to the frame.

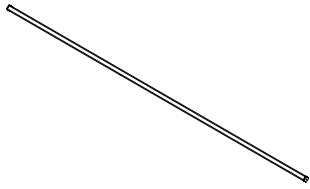


Part Three

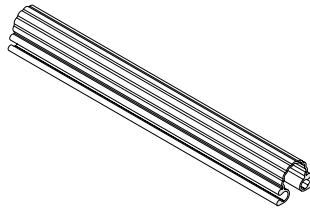
Task 7 - Installing and Adjusting the Take-Up Rail

Parts & Tools Needed

Take-Up Rail



Back Fabric Clamp (x3)

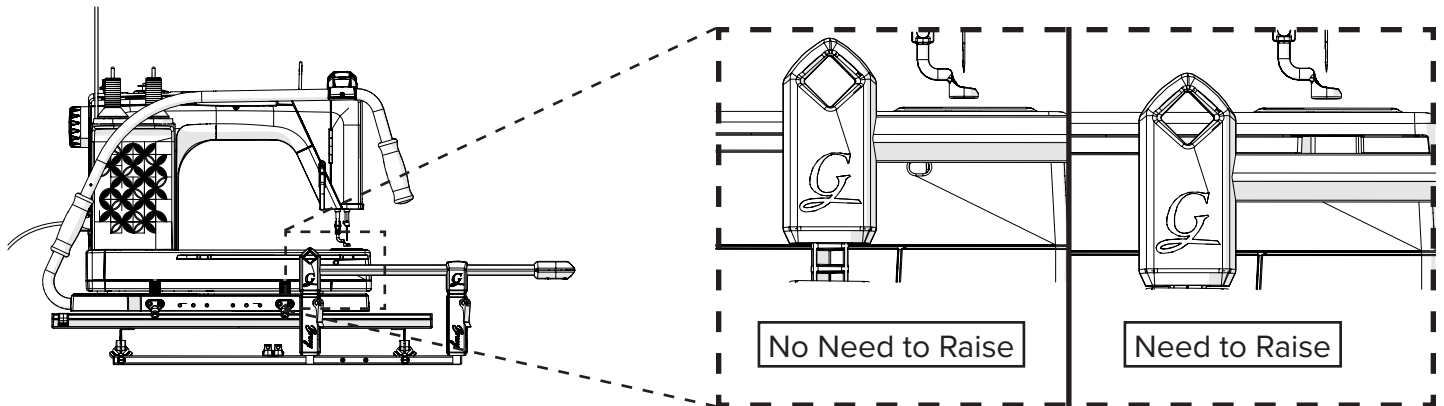


Instructions

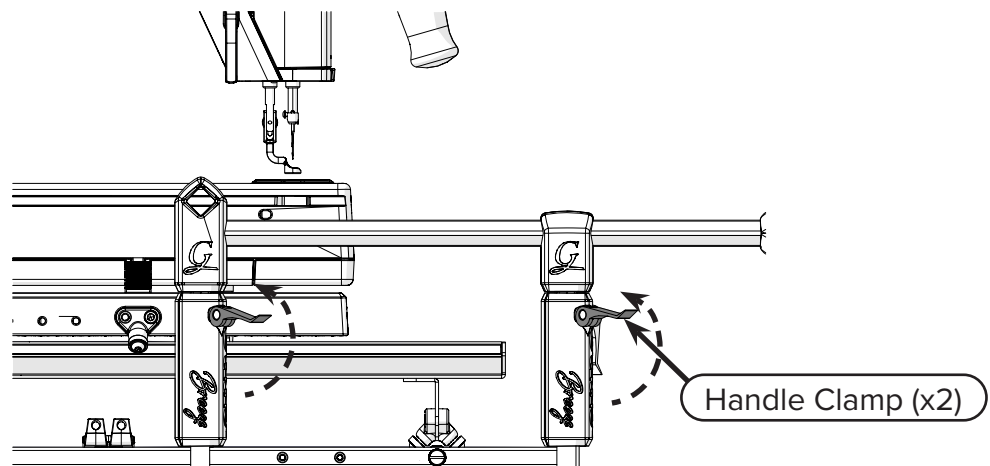
Take the following steps to attach the take-up rail to the frame.

Note: The images in this task show a wheel-less quilting machine on the top plate, but the steps are the same if you are using a wheeled quilting machine.

- 1 To attach the take-up rail, first look through the hole in the back of the left rail holder. Note whether you can see clearly over the machine or if your view is blocked by the machine. If you can see clearly over the machine, then skip to step 2. If your view is blocked by the machine, then you need to raise the rail holders. Take the following steps to raise the rail holders:

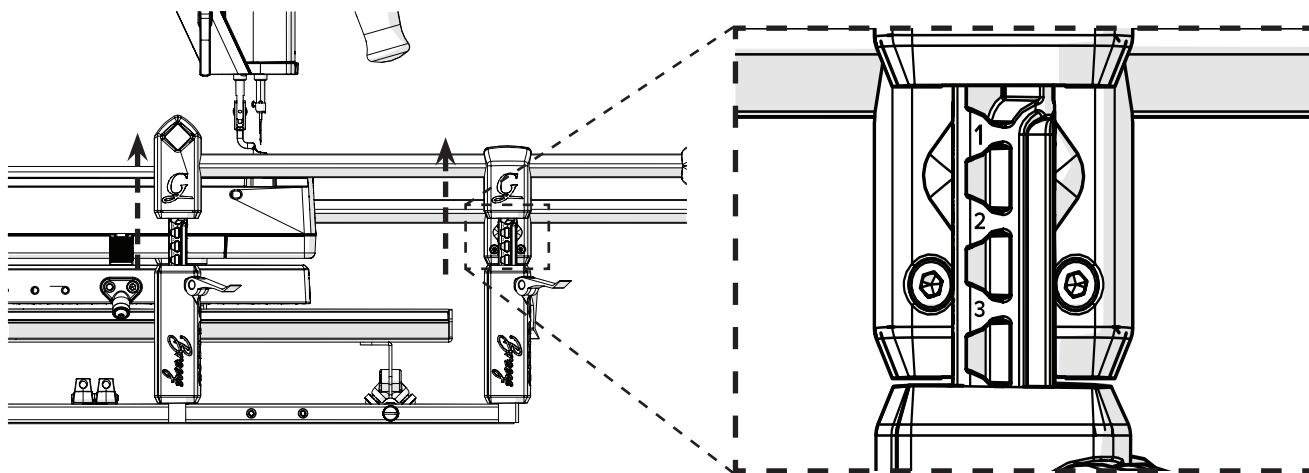


- a Open the **handle clamps** on the tower risers on the left side wall.

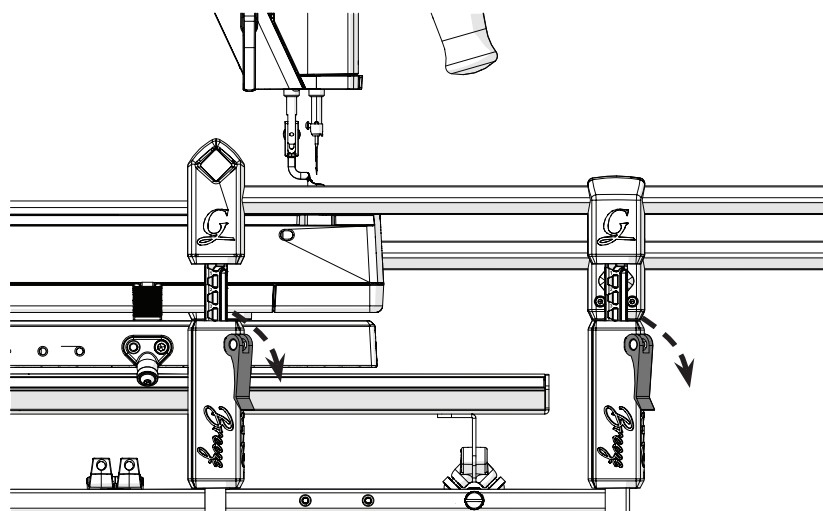


Task 7 - Installing and Adjusting the Take-Up Rail (continued)

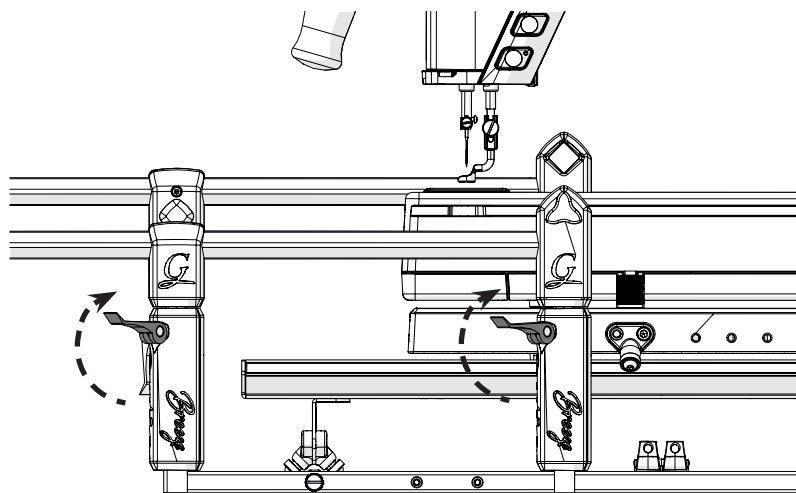
- b Raise the left rail holder until the hole is high enough that you can clearly see through the hole. Note the number of the notch you stopped on.



- c Close the handle clamps to secure the left rail holder in its new position.



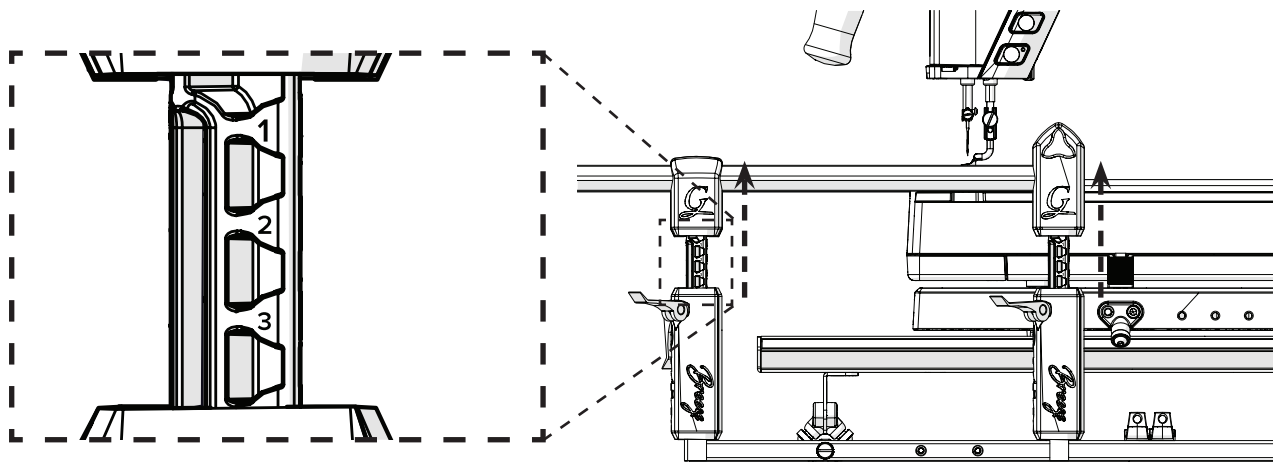
- d Open the handle clamps on the tower risers on the right side wall.



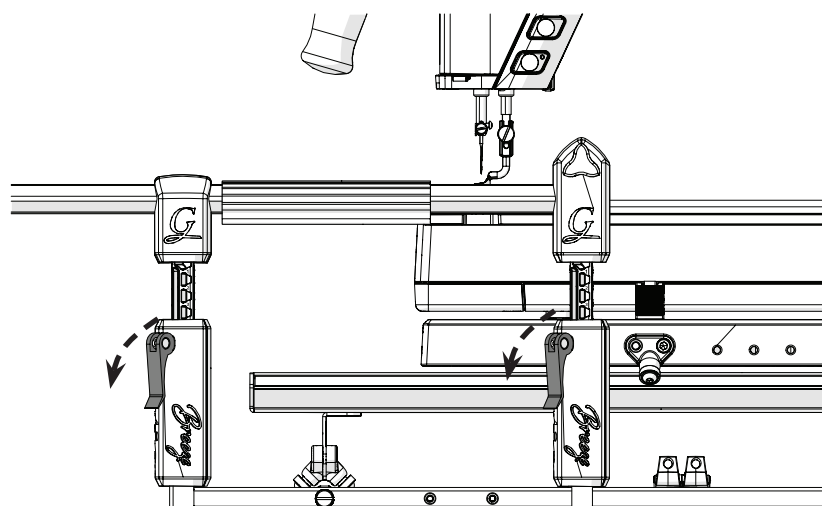
Part Three

Task 7 - Installing and Adjusting the Take-Up Rail (continued)

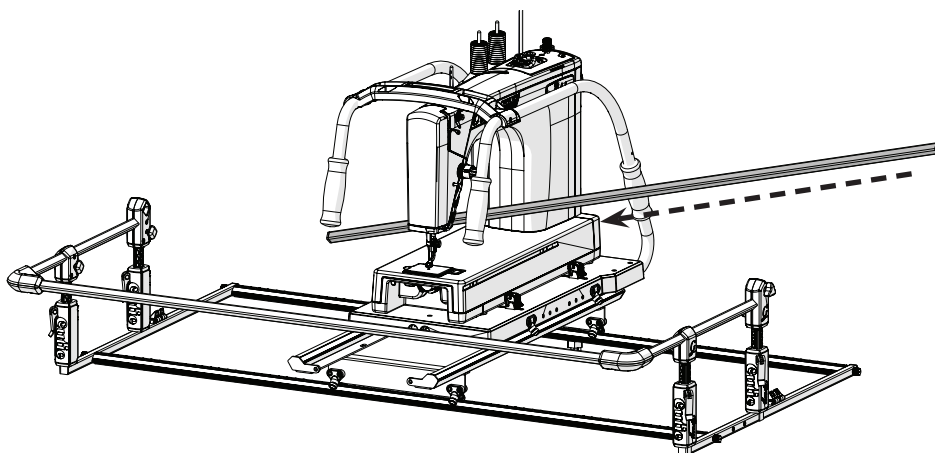
- e Raise the right rail holder until it is the same height as the left rail holder. Use the number of the notch to confirm the rail holders are the same height.



- f Close the handle clamps to secure the right rail holder in its new position.

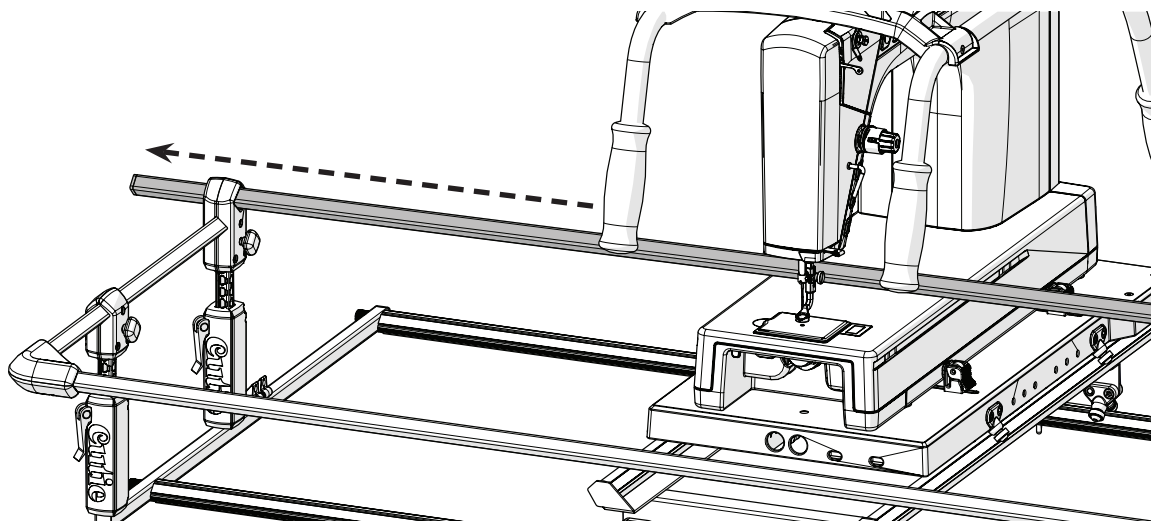


- 2 Once the rail holders are high enough that the take-up rail cannot hit the bed of your machine, attach the take-up rail to the frame. From the right side of the frame, slide the take-up rail into the throat of the sewing machine.

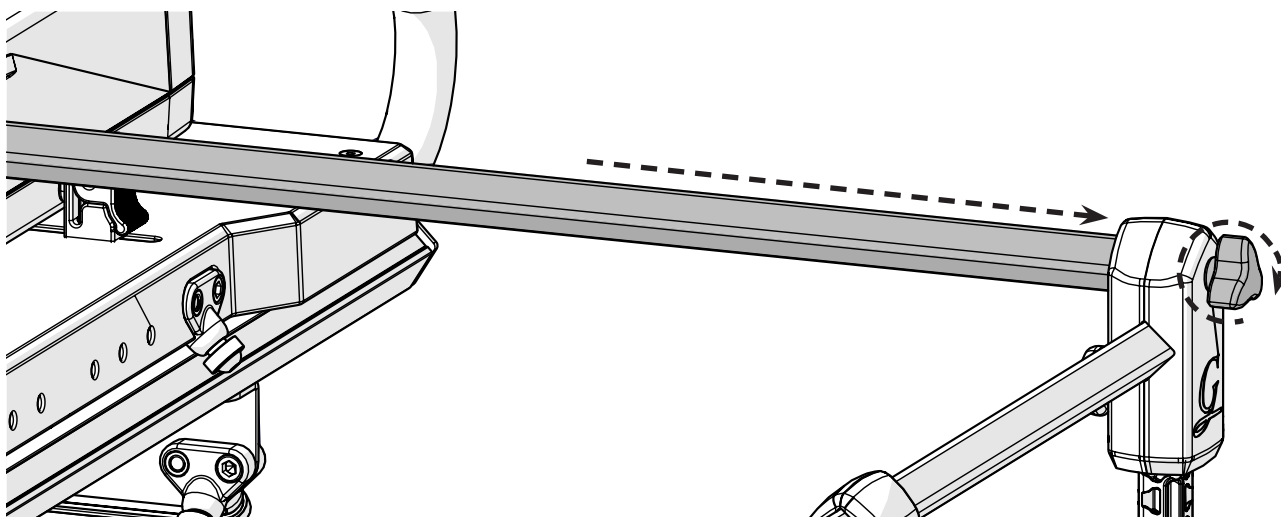


Task 7 - Installing and Adjusting the Take-Up Rail (continued)

- 3 Insert the left end of the take-up rail into the hole in the left rail holder.



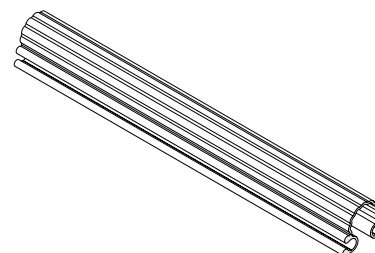
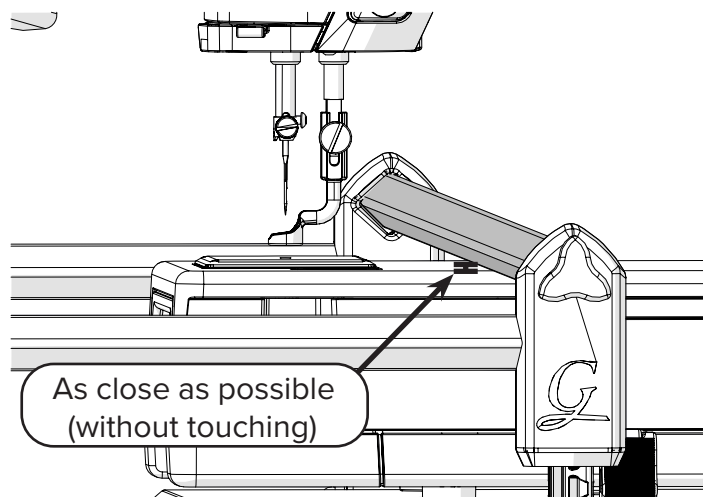
- 4 Slide the take-up rail into the holder on the right side. Tighten the knob to secure the rail.



- 5 The take-up rail must be **as close as possible (without touching)** to the bed of your machine.

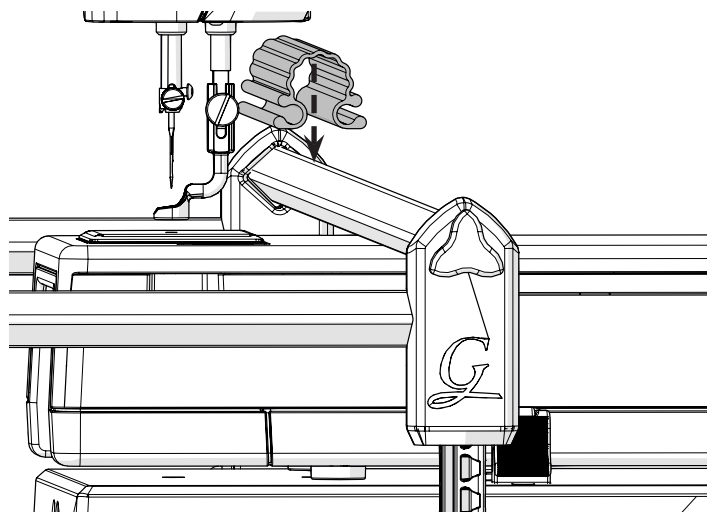
However, the clamps on the take-up rail affect how close the rail is to the bed of your machine. Do the following to make sure the take-up rail is in the correct position:

- a Locate the three back fabric clamps.



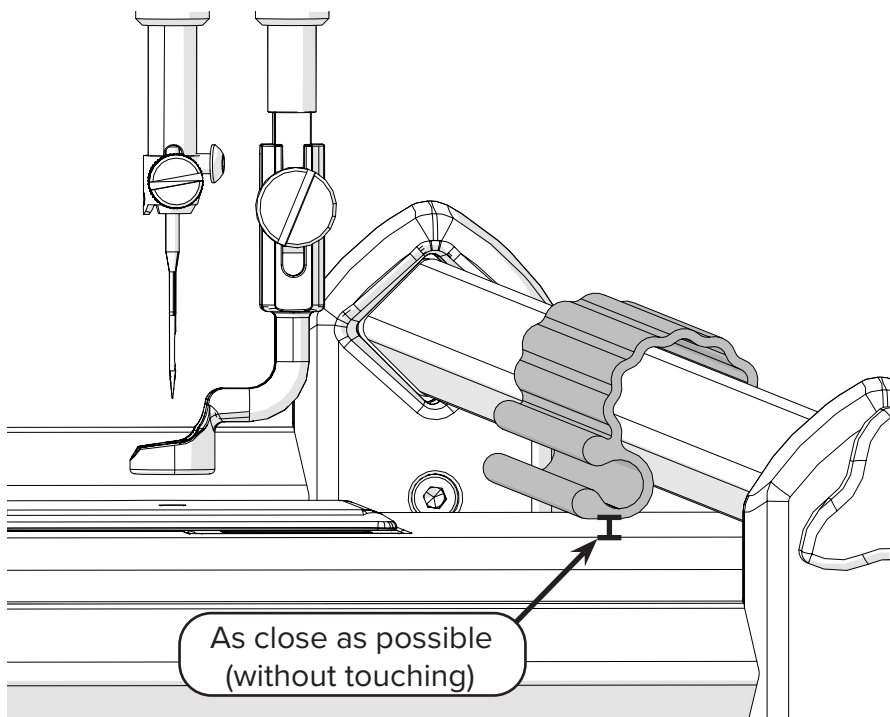
Task 7 - Installing and Adjusting the Take-Up Rail (continued)

- b Put one of the clamps on the take-up rail. Keep the rest nearby to use later.



- c Check the height of the take-up rail by trying to move the machine under the clamp, and then do one of the following:

- If you can easily move the machine under the rail without hitting the clamp, then follow steps 1a–f to adjust the height of the take-up rail. Remember, the rail must be as close as possible (without touching) to the bed of your machine.
- If the machine has just enough clearance to move under the clamp and not touch it, then the take up rail is in the correct spot.
- If you can't move the machine under the rail (because it would hit the clamp) then follow steps 1a–f to adjust the height of the take-up rail. Remember, the rail must be as close as possible (without touching) to the bed of your machine.

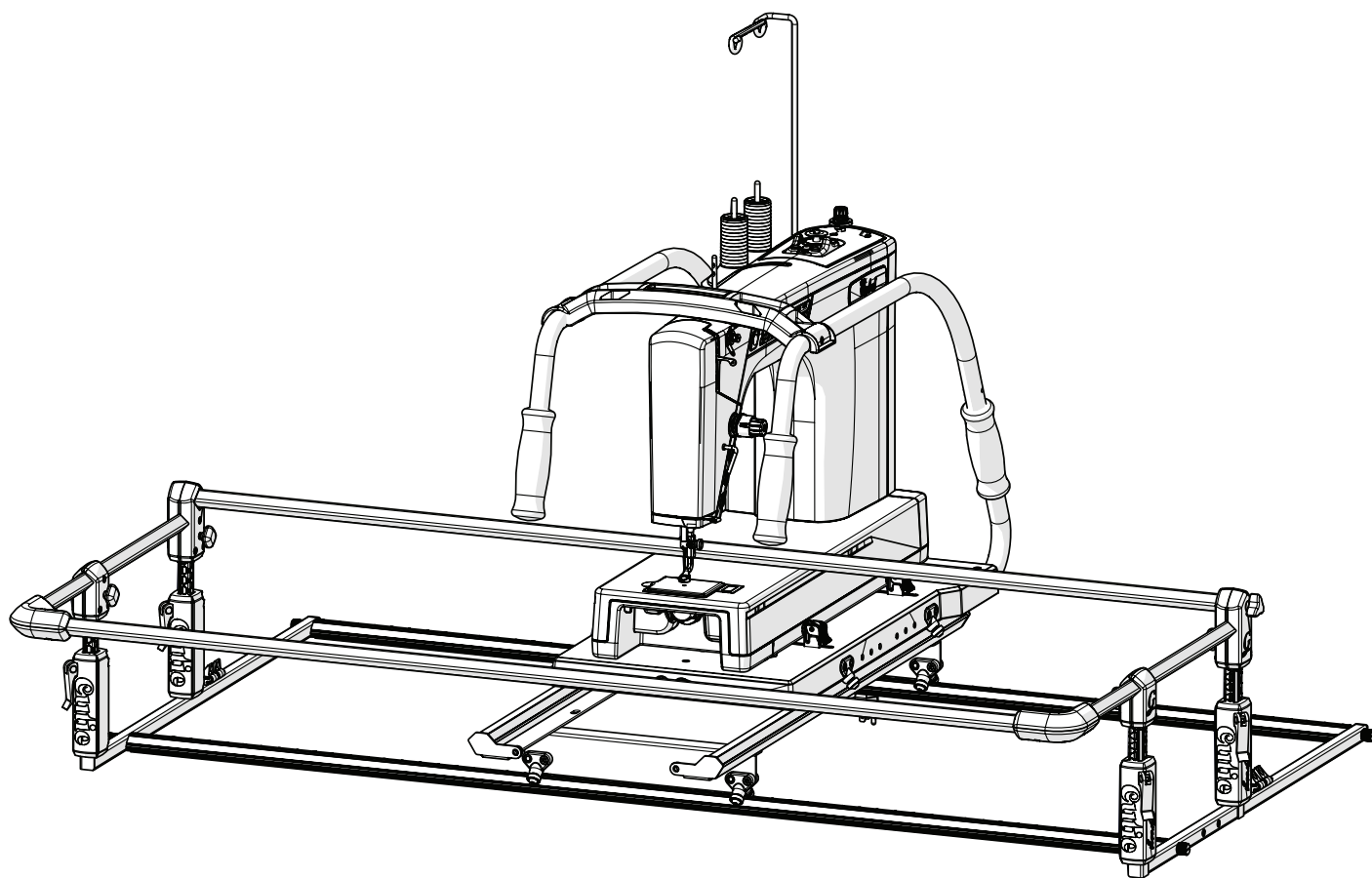


Note: While you're quilting, if it feels like the machine is dragging, it might be because the machine is barely touching the take-up rail or the clamps on the rail. If this happens, adjust the take-up rail to be slightly farther away from the bed of the machine.

Tip: If you want to, remove the clamp from the take-up rail once you're finished with this task. You'll need to have all the clamps off when it's time to put the fabric on the frame.

Task 7 - Installing and Adjusting the Take-Up Rail (continued)

- 6 **Task Result:** The take-up rail is attached to the frame.

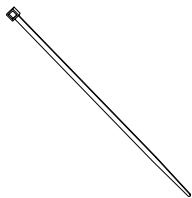


Part Three

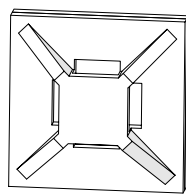
Task 8 - Managing the Foot Pedal Cable

Parts & Tools Needed

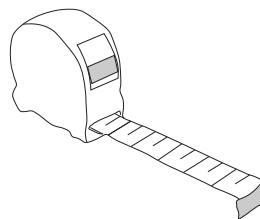
Zip Tie (x2)



Zip Tie Mount



Measuring Tape or Ruler (not included)



Wheeled Quilting Machine Users: Skip this task.

Instructions

If you're using a foot pedal with your machine, you need to manage your foot pedal cable. To provide your machine with the full range of motion on the frame without the foot pedal moving out of your reach, place the Cutie Breeze frame on a work surface (such as a desk or table) that is 23–26 inches deep. This depth is ideal because most foot pedal cables are long enough to be routed from the back of the machine and still reach the floor.

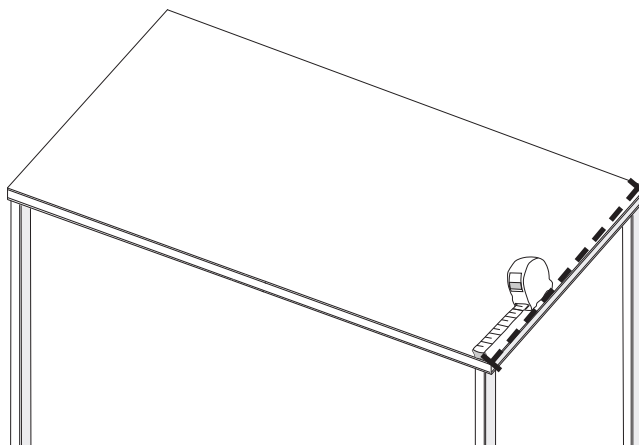
If your work surface is deeper than 26 inches or not accessible from the back, you can probably still use it with the Cutie Breeze. First, try routing the cable from the front, as described below. Or, if the work surface is height-adjustable, then change the height, as a shorter height can offset the extra depth. Another way you can still use the deeper work surface is if you have a long foot pedal cable (longer than 5 feet), which might allow the cable to still reach the floor (from the back or the front) even with the extra depth.

If you find that your work surface and foot pedal cable don't provide you with the range of motion you want, try a different work surface, or contact your machine's manufacturer about any cable extension options they might offer.

Take the following step to manage the foot pedal cable:

Examine and measure your work surface. Determine which of the following statements best matches your work surface, and then follow the corresponding section:

- 23–26 inches deep and accessible from the back. Continue to “Routing the Cable From the Back” on page 33.
- Deeper than 26 inches, or not accessible from the back. Skip to “Routing the Cable From the Front” on page 34.

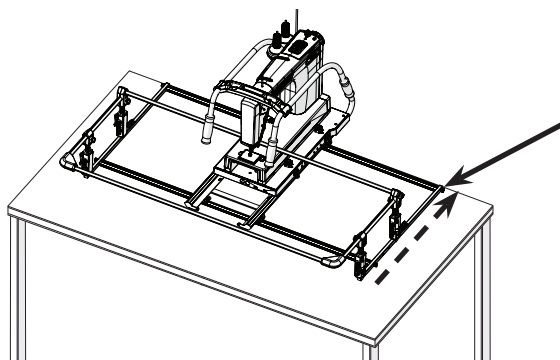


Task 8 - Managing the Foot Pedal Cable (continued)

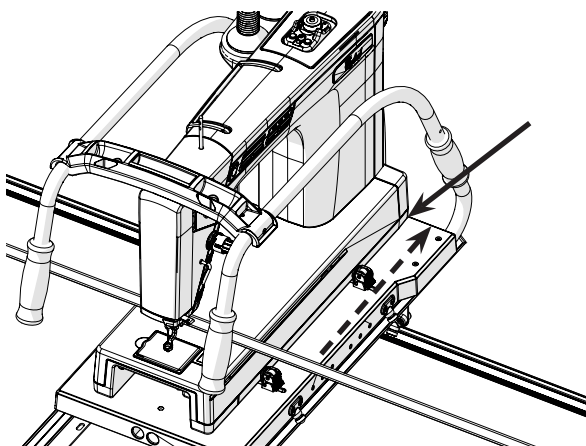
Routing the Cable From the Back

If your work surface is 23–26 inches deep and accessible from the back, then route the foot pedal cable from the back. Take the following steps to route the cable:

- 1 Slide the frame so that the back track is flush with the back edge of the table.

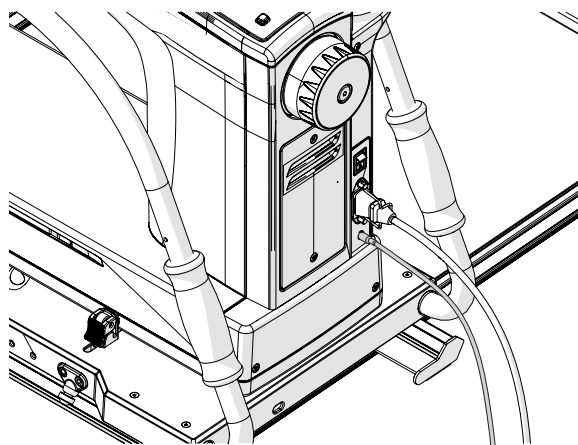


- 2 Un-clip your machine and slide it back so that the back of your machine is flush with the back edge of the top plate. This location decreases the distance your foot pedal cable has to reach. Re-clip the machine in its new position.



Note: If your machine isn't long enough to be flush with the back of the top plate and still be clamped by the front machine clamps, then you can either move the machine a little bit forward (so that it can be held by the front clamps) or leave the machine flush with the back of the top plate (and see whether holding the machine with only two clamps works for you).

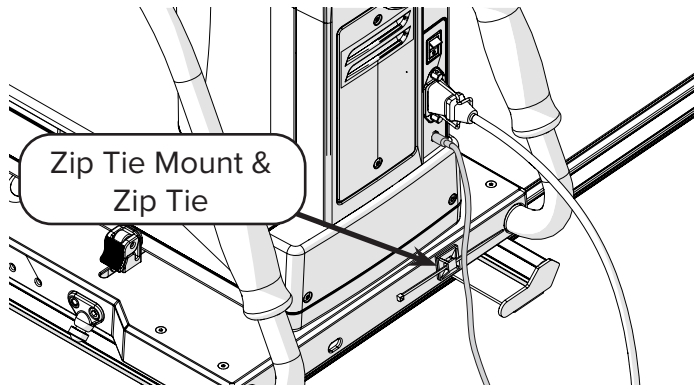
- 3 Route the foot pedal cable off the back of your machine and to the floor as directly as possible. Make sure that the cable isn't underneath any of the wheels on the top plate or the bottom carriage.



Part Three

Task 8 - Managing the Foot Pedal Cable (continued)

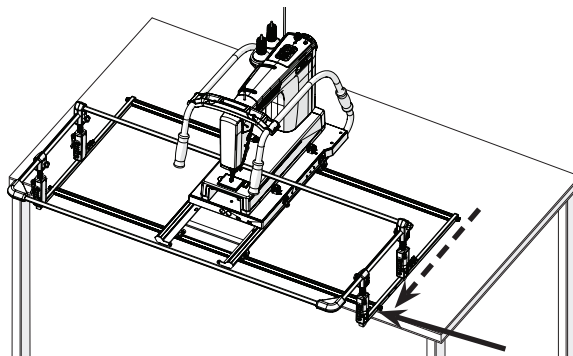
- 4 If needed, attach the **zip tie mount** to the top plate, and then **zip tie** the cable to the mount so that the cable doesn't slip off and get in the way of the top plate or bottom carriage.
To attach the zip tie mount, expose the adhesive, and then press the mount firmly to the top plate. Slide the zip tie into the mount, and then wrap the zip tie around the cable.



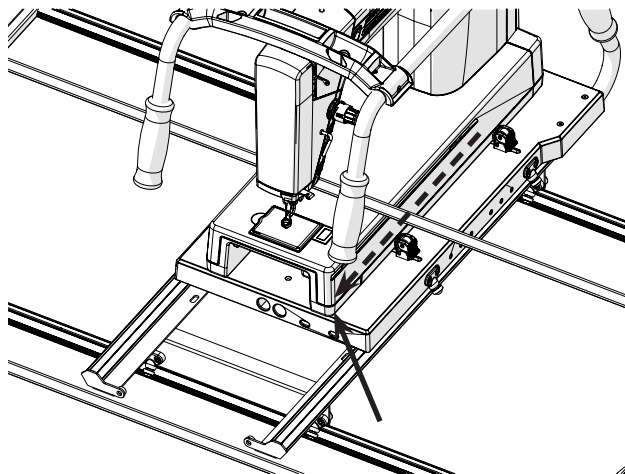
Routing the Cable From the Front

If your work surface is more than 26 inches deep or not accessible from the back, then route the foot pedal cable from the front. Take the following steps to route the cable:

- 1 Slide the frame so that the front track is flush with the front edge of the table.

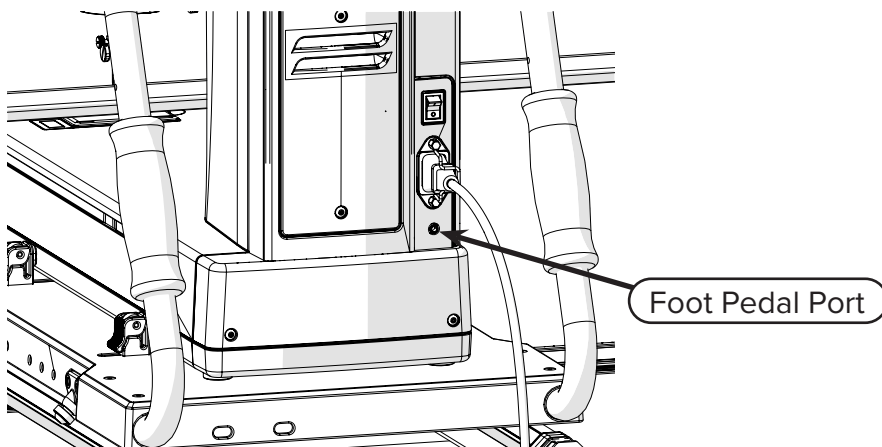


- 2 Un-clamp your machine and slide it forward so that the front of your machine is flush with the front edge of the top plate. This location decreases the distance the cable has to reach.



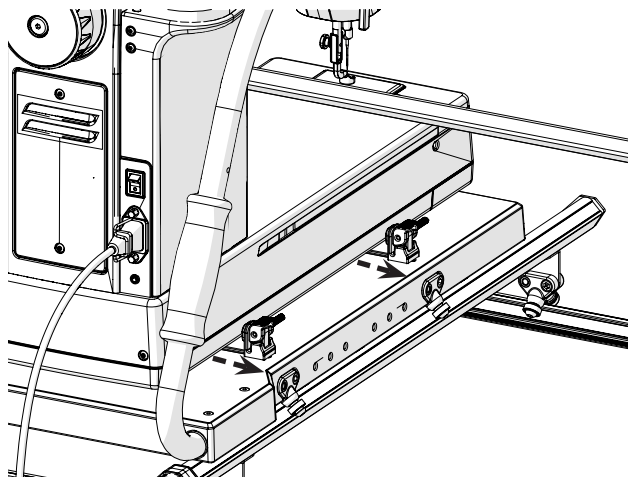
Task 8 - Managing the Foot Pedal Cable (continued)

- 3 Check your machine to determine which side (left or right) your **foot pedal port** is closest to. To decrease the distance the foot pedal cable has to reach, route the foot pedal cable on the same side as the port.

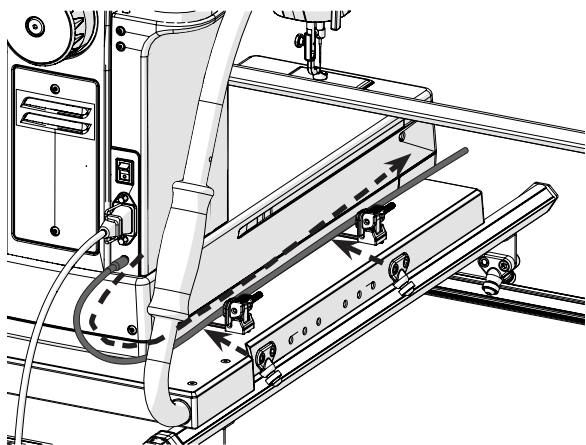


Note: The look and location of the foot pedal port on your machine might vary from the example image.

- 4 On the side you want to route the cable, make sure the machine clamps are away from the machine.



- 5 Wrap the cable around the machine and tuck it between the machine and the machine clamps. Then re-clamp the machine so that the clamps hold the cable next to the machine and hold the machine in its new position.

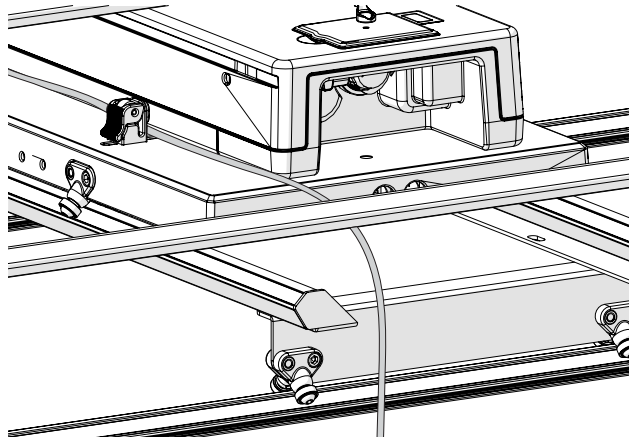


Note: If your machine isn't long enough to be flush with the front of the top plate and still be clamped by the back machine clamps, then you can either move the machine a little bit back (so that it can be held by the back clamps) or leave the machine flush with the front of the top plate (and see whether holding the machine with only two clamps works for you).

Part Three

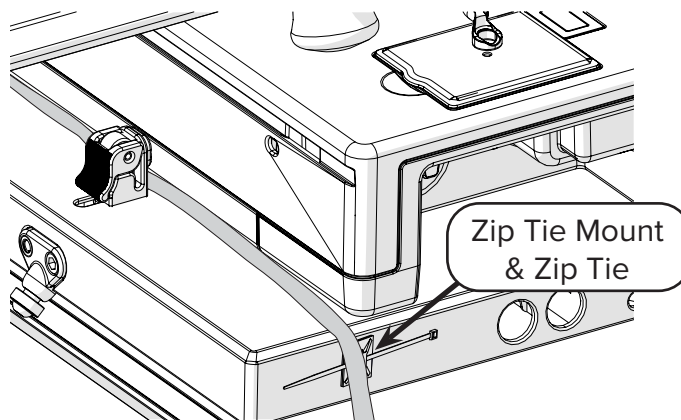
Task 8 - Managing the Foot Pedal Cable (continued)

- 6 Route the foot pedal cable off the front of your machine and to the floor as directly as possible. Make sure that the cable isn't underneath any of the wheels on the top plate or the bottom carriage.



- 7 If needed, attach the **zip tie mount** to the top plate, and then **zip tie** the cable to the mount so that the cable doesn't slip off and get in the way of the top plate or the bottom carriage.

To attach the zip tie mount, expose the adhesive, and then press the mount firmly to the top plate. Slide the zip tie into the mount, and then wrap the zip tie around the cable.



Task 9 - Moving the Carriage Stop Clip

Instructions

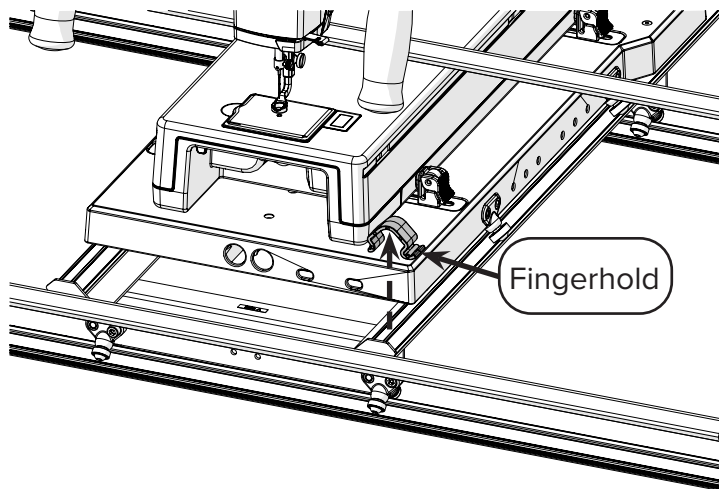
The carriage stop clips keep your machine or top plate from moving too far on the bottom carriage.

When the frame is shipped, the carriage stops are installed on the bottom carriage, one on each end, to help keep your machine or top plate on the bottom carriage as you place it.

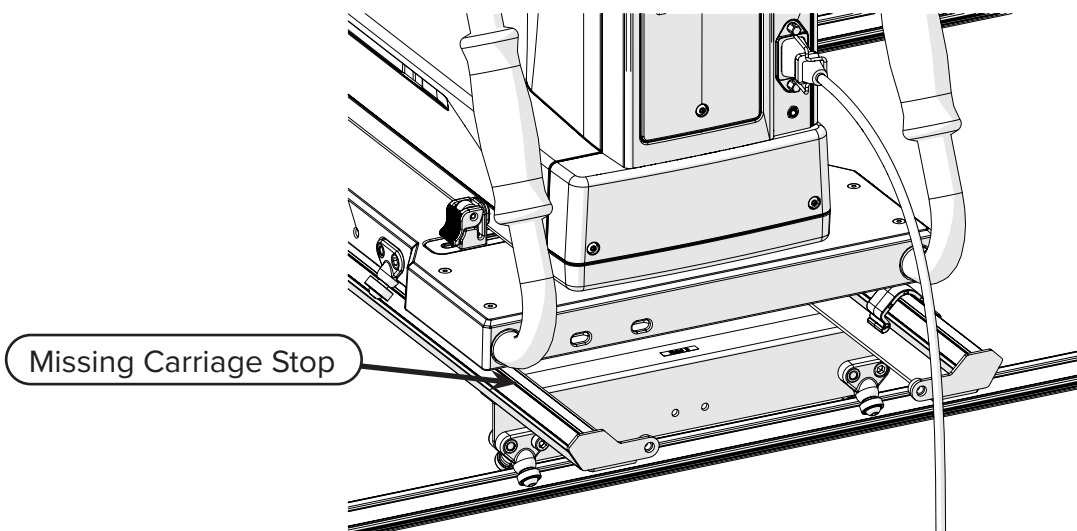
Take the following steps to move the carriage stop clip to the ideal quilting location.

Note: Depending on the way you oriented your bottom carriage (as instructed), and the way the clips were pre-installed, the images in this task might look different from your actual setup. The process is still the same.

- 1 Locate the carriage stop that is on the front of the bottom carriage.
- 2 Use the **fingerhold** to push up on the clip and remove it from the carriage.



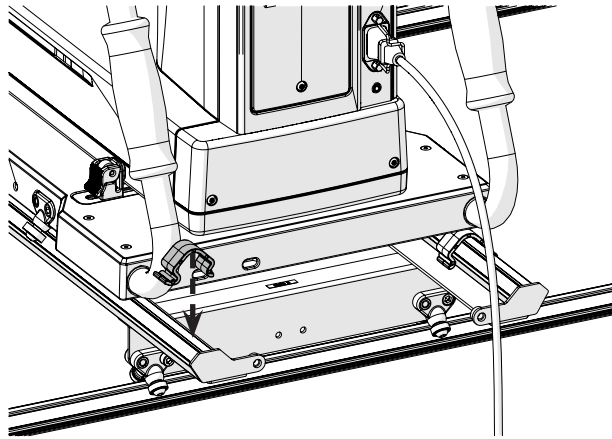
- 3 On the back of the bottom carriage, locate the track that is **missing a carriage stop**.



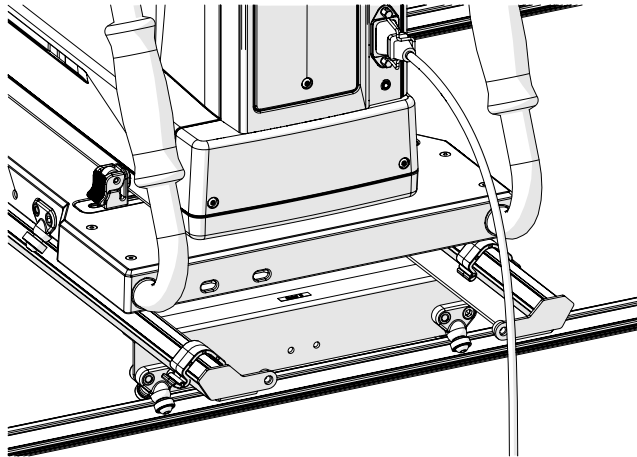
Part Three

Task 9 - Moving the Carriage Stop Clip (continued)

- 4 Push the carriage stop clip onto the track. Remember to keep the fingerhold on the outside of the track so that you can easily remove the clip if you need to.



- 5 **Task Result:** The carriage stop clips are both on the back of the bottom carriage tracks, one on each track.



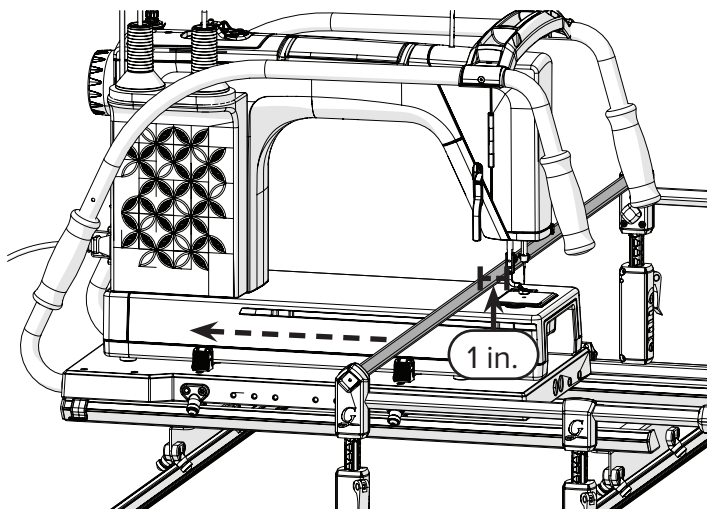
Task 10 - Adjusting the Carriage Stop Clips

Instructions

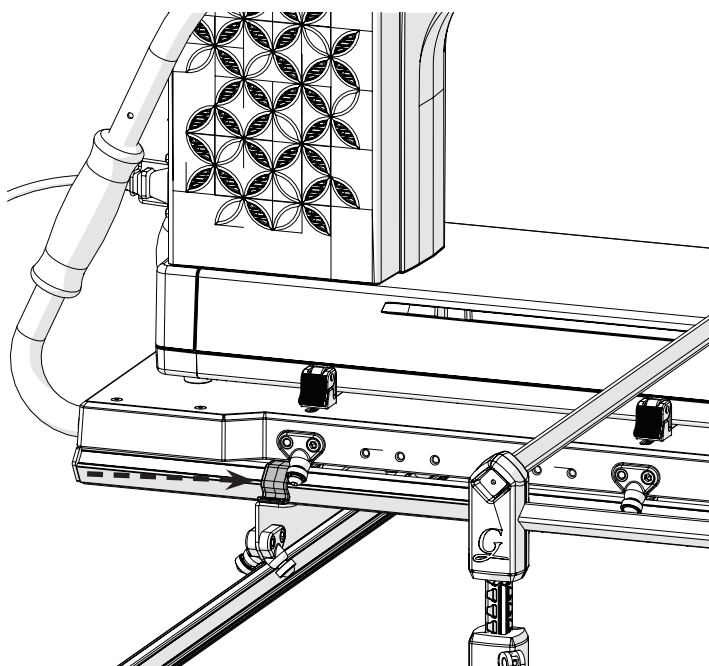
The carriage stop clips make sure that the take-up rail cannot hit the hopping foot on your machine. If the hopping foot hits the take-up rail, it can damage the machine or the rail. Take the following steps to adjust the carriage stops to the correct position so the machine cannot move back too far.

Note: The images in this task show a wheel-less quilting machine on the top plate, but the steps are the same if you are using a wheeled quilting machine.

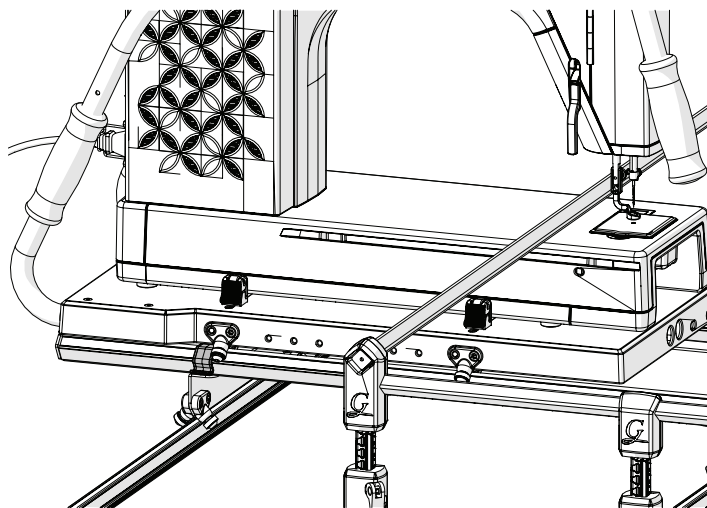
- 1 Move the top plate or machine until the take-up rail is about **1 inch** from the hopping foot.



- 2 On each track of the bottom carriage, slide the carriage stop clip until it touches the wheel of the top plate or wheeled machine. Make sure to adjust both carriage stops to the same location.



- 3 **Task Result:** The carriage stop clips are adjusted to the correct position to stop the hopping foot from hitting the take-up rail.



Congratulations!

You have completed Part Three of the assembly instructions for your frame.

Before continuing to Part Four of these instructions, complete the following:

- Quilter's Creative Touch (QCT, formerly QuiltMotion) Part Three (optional accessory).

Part Four

Before completing the tasks in Part Four, make sure you have completed the applicable items listed below. Some items only apply if you have purchased the item they are describing and can be skipped otherwise.

Progress Checkpoint

Have you:

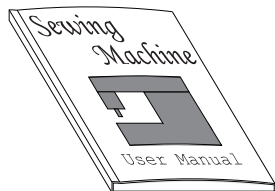
- Completed Part Three of Quilter's Creative Touch (QCT, formerly QuiltMotion)? (optional accessory)

Task 11 - Preparing Your Sewing Machine for Quilting.....	42
Task 12 - Preparing Your Quilt.....	43
Task 13 - Attaching Your Quilt.....	45
Task 14 - Tacking Down Your Quilt.....	49
Task 15 - Marking the Safe Area.....	50
Task 16 - Starting and Ending Your Designs.....	54
Task 17 - Moving Your Quilt to a Different Zone.....	60

Task 11 - Preparing Your Sewing Machine for Quilting

Parts & Tools Needed

Sewing Machine Manual (not included)



Free-motion or embroidery hopping foot (not included)



Instructions

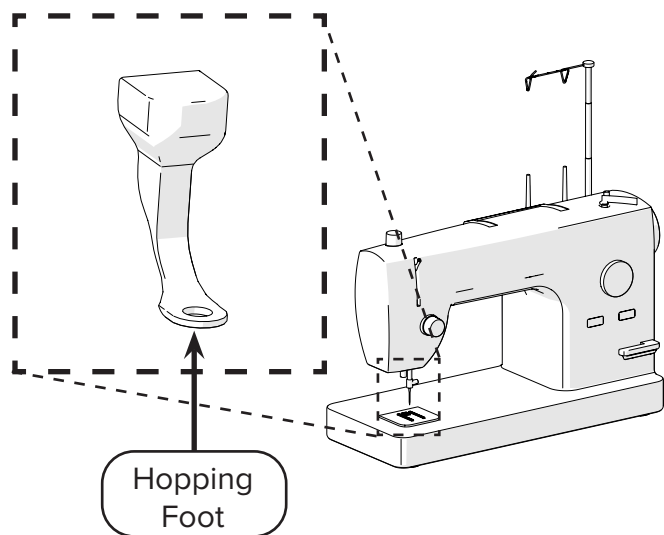
If you are using a sewing machine to quilt, then you need to prepare the machine for quilting. If you are using a quilting machine, then it is already set up for quilting, and you can skip this task.

Take the following steps to prepare your sewing machine for quilting:

- 1 If the option is available on your sewing machine, switch to quilting mode. For instructions on switching your sewing machine to quilting mode, see your sewing machine user manual.

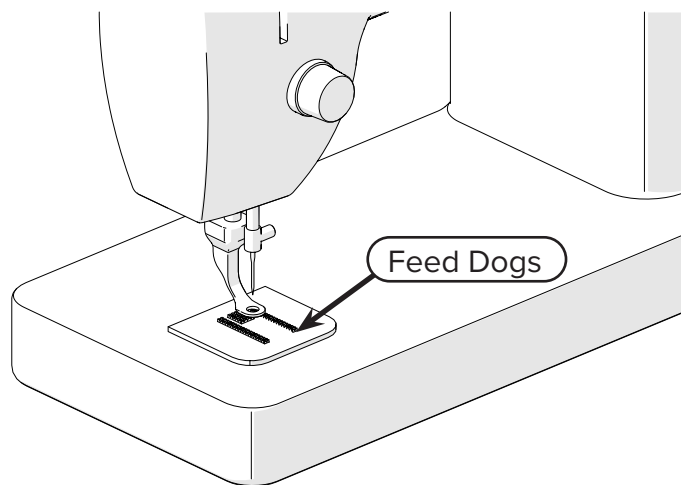
Note: Not all sewing machines have a quilting mode, but you must use quilting mode if it is available for your machine.

- 2 On your sewing machine, swap out your presser foot for a free-motion or embroidery **hopping foot**. For instructions on swapping out your foot, see your sewing machine manual.



- 3 Lower your machine's **feed dogs** so they don't catch on the quilt backing, or install a feed-dog cover plate. For instructions, see your sewing machine manual.

Note: Switching to quilting mode might have already lowered your feed dogs.



- 4 **Task Result:** Your sewing machine is ready for quilting.

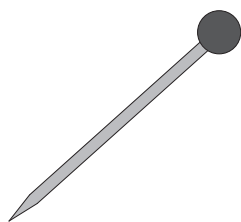
Task 12 - Preparing Your Quilt

Parts & Tools Needed

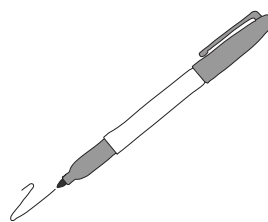
Fabric and Batting
(not included)



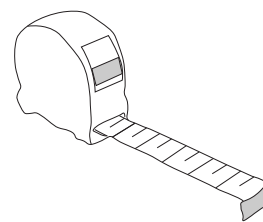
Pins (not included)



Fabric Marking Pencil
or Chalk (not included)



Measuring Tape or
Ruler (not included)



Instructions

Before you put your quilt on the frame, you must prepare your quilt top, backing, and batting. When you cut your backing and batting, you must cut them larger than your quilt top. This extra length helps to position your quilt top so that it is within reach of the machine on the frame. Take the following steps to prepare your quilt.

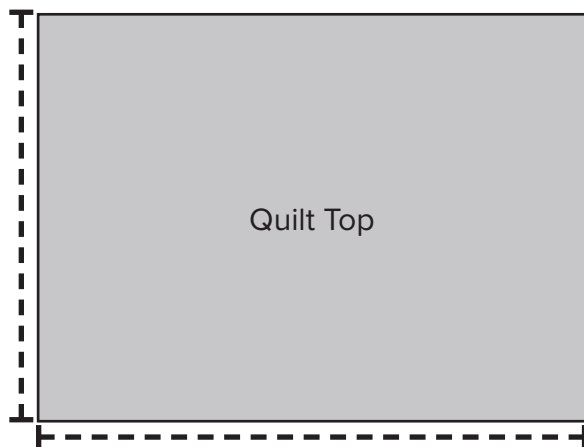
Note: The first time you prepare your quilt, follow these steps with spare pieces of fabric to practice before preparing your actual quilt. Be sure to use all three layers (quilt top, batting, and backing) when practicing.

Tip: Accessory cloth leaders can reduce the amount of backing and batting material required to position your quilt top on the frame. Visit graceframe.com for details.

Note: This task uses the following terminology that you need to be familiar with:

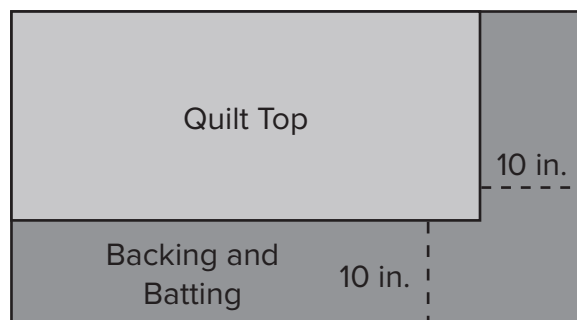
- **Right Side/Wrong Side of Fabric:** Some fabrics have a front side that has a print, texture, or other qualities that the back side does not have, or the fabric might look washed out on the back. The front of the fabric is the “right side.” The side that looks washed out or doesn’t have the print/texture is the “wrong side.”
- **Scrim Side of Batting:** Some types of batting have a structural layer called the “scrim side.” The scrim side often feels coarse or pimply, while the other side feels smooth or puffy.

- 1 Measure the length and width of your **quilt top**. Write down the measurements.



- 2 Cut **backing** and **batting** that is at least 10 inches wider and longer than your quilt top.

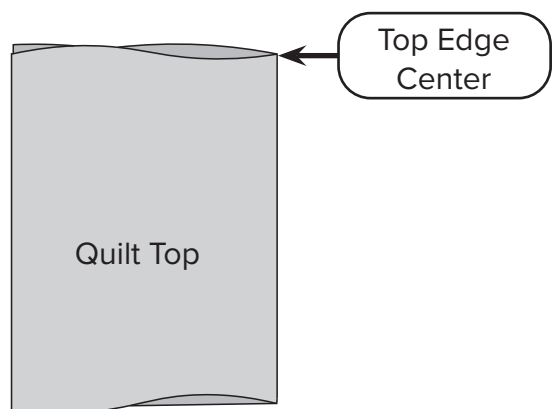
Note: If your quilt top is less than 18 inches in width or length, then make the quilt backing and batting at least 28 inches long and wide.



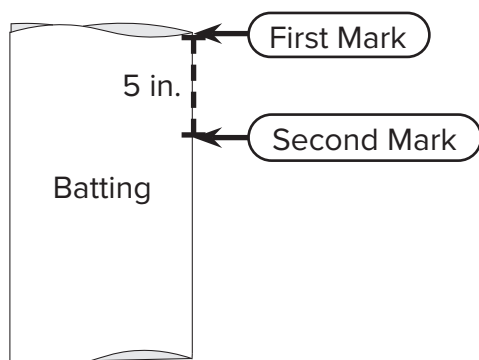
Part Four

Task 12 - Preparing Your Quilt (continued)

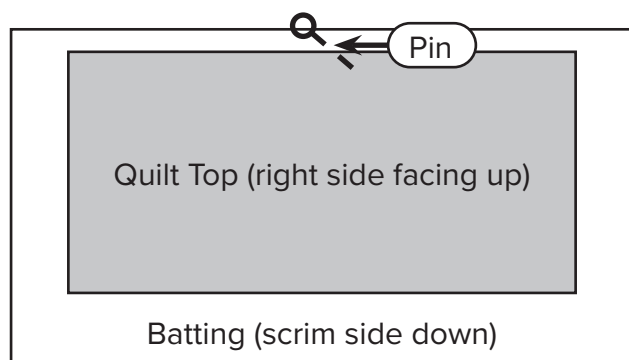
- 3 Fold your **quilt top** in half with the right side facing out. Mark the **center of the top edge** with a pin or marker on the right side of the fabric.



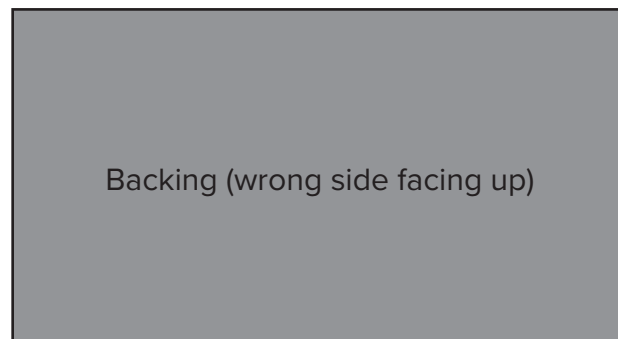
- 4 Fold the batting in half with the scrim side facing in and **mark** the center of the top edge with a pin or marker. Then use a ruler to make a **second mark** 5 inches below the first.



- 5 Align the mark on the quilt top with the second mark on the batting. **Pin** the two layers together, so the right side of the quilt is facing up, and the scrim side of the batting is facing down.

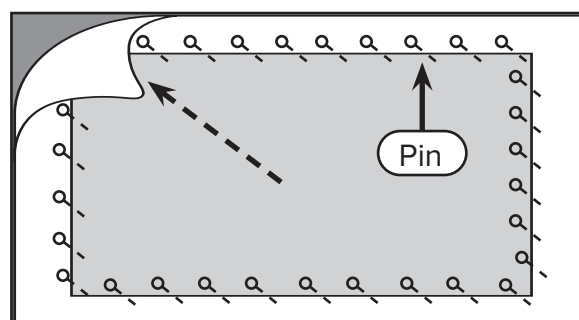


- 6 Lay your quilt backing down, wrong side facing up.

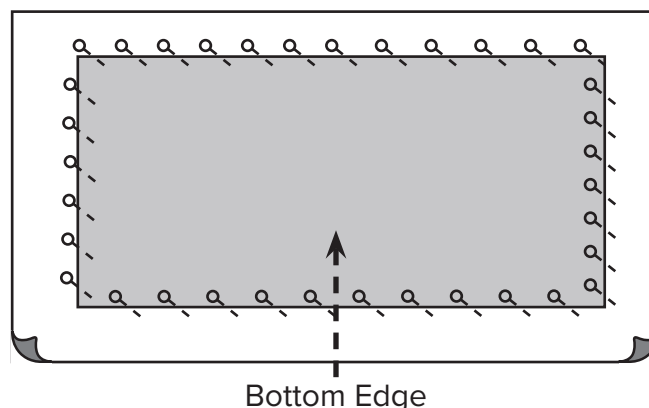


- 7 Lay the batting and quilt top over the backing and **pin** the layers together.

Tip: Roll the batting and quilt top layer up, place it on the top of the quilt backing, and then unroll it to align the layers.



- 8 Roll the quilt up from the **bottom edge** so you can easily carry it to your frame.

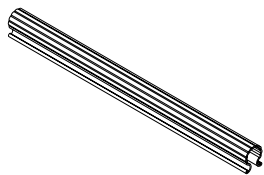


- 9 **Task Result:** Your quilt is prepared for placing on the frame.

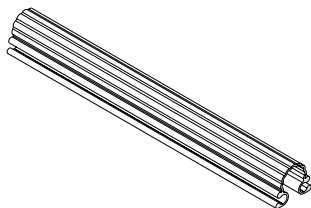
Task 13 - Attaching Your Quilt

Parts & Tools Needed

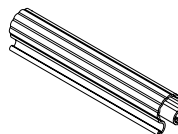
Front Fabric
Clamp (x2)



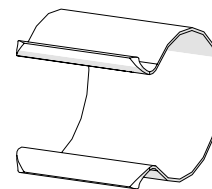
Back Fabric
Clamp (x3)



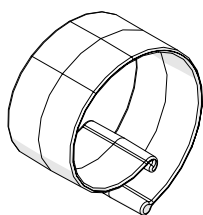
Side Fabric
Clamp (x2)



Mini Clip (x3)



Coil Clamp (x3)



Instructions

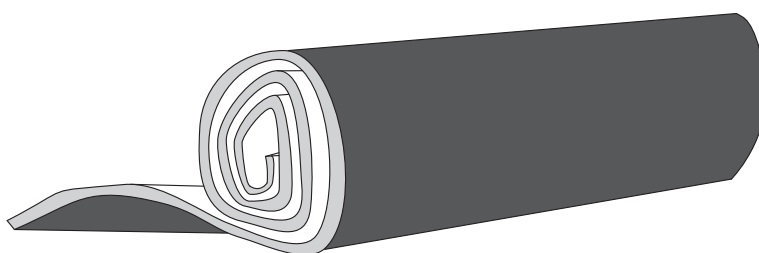
Once your quilt is prepared, attach your quilt to the frame. The first time you attach your quilt, you must assemble the back fabric clamps with the coil clamps. Use the clamps to hold your quilt to the rails on the frame. When you're finished quilting, store the clamps on the rails.

Depending on the size of your quilt, it might not fully cover the frame and some of the clamps won't be used. While it's fine to work with the quilt only covering part of the frame, you might find that the quilt sides sag a little, which might affect the fabric tension and stitch tension on your quilt. If the sagging bothers you, then you can purchase bungee clamps to hold the sides of your quilt in these situations. Visit graceframe.com for details.

Note: You might find it easier to completely prepare your machine if you get it ready before you attach your quilt. To prepare your machine, you must plug in the machine, wind a bobbin and insert it into the machine, and thread the machine. See your machine manual for more information about these tasks.

Take the following steps to attach your quilt:

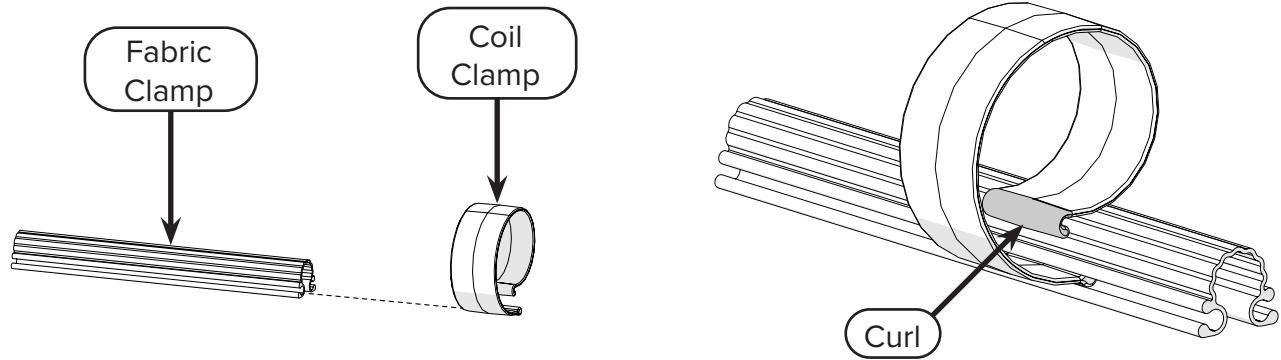
- 1 Carry your rolled-up quilt to your frame.



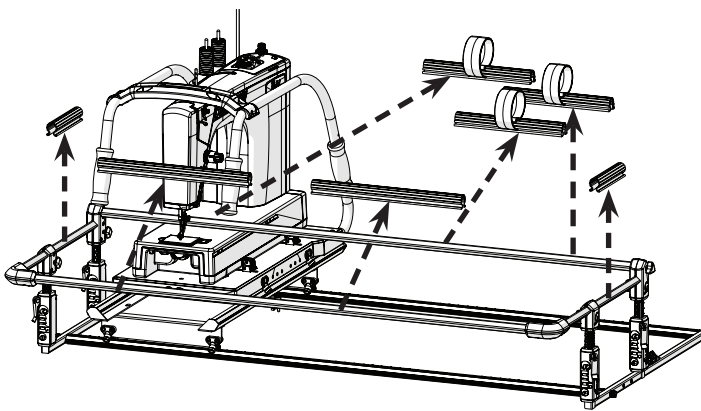
Part Four

Task 13 - Attaching Your Quilt (continued)

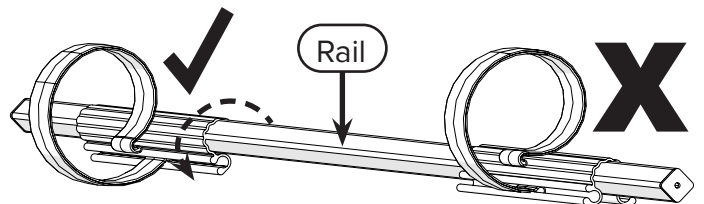
- 2 To assemble the back fabric clamps, slide the **coil clamps** into the side of the **fabric clamps**. Make sure the **curl** of the coil rests on top of the fabric clamp. Each fabric clamp needs one coil clamp. **Note:** Once the coil clamps are assembled, you can leave them like that. You don't need to take them apart after quilting.



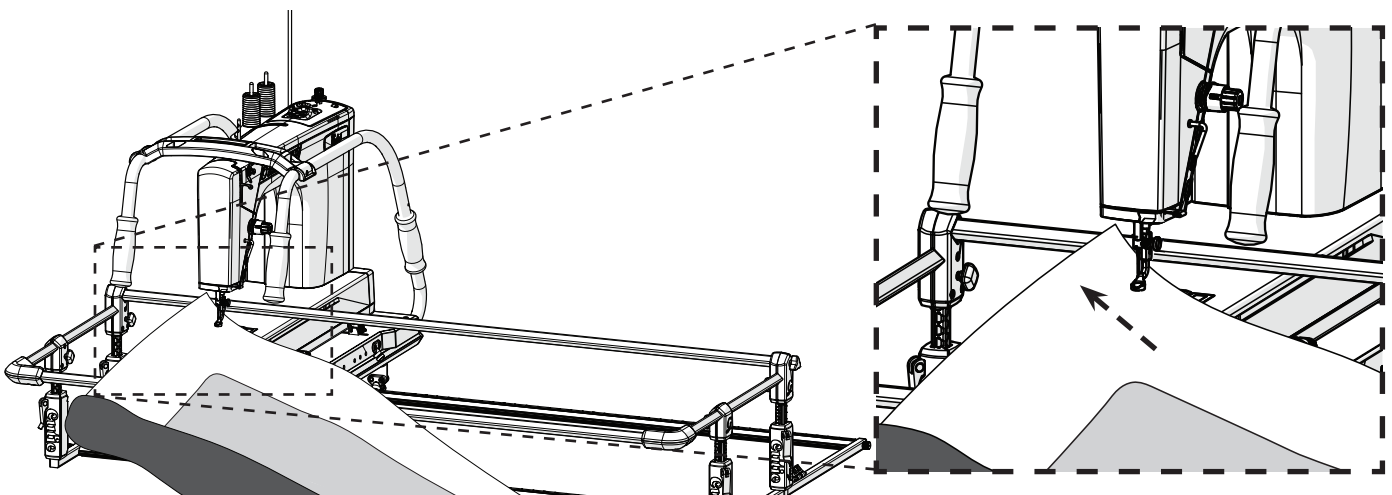
- 3 Remove all fabric clamps from the rails. **Note:** The first time, your fabric clamps might already be off the frame from when you set it up. The rails are a great place to store the clamps after assembling your frame.



Tip: When you remove the clamps from the rail, orient the clamps so that they are lined up with a flat side of the rail, rather than an angle of the rail, before you pull the clamps off.

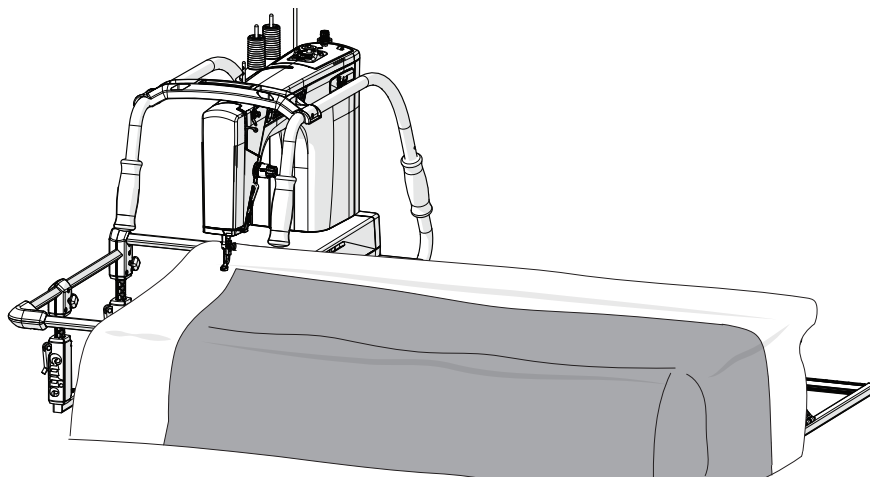


- 4 Raise the needle on the machine. Slide the top edge of the quilt under the hopping foot.

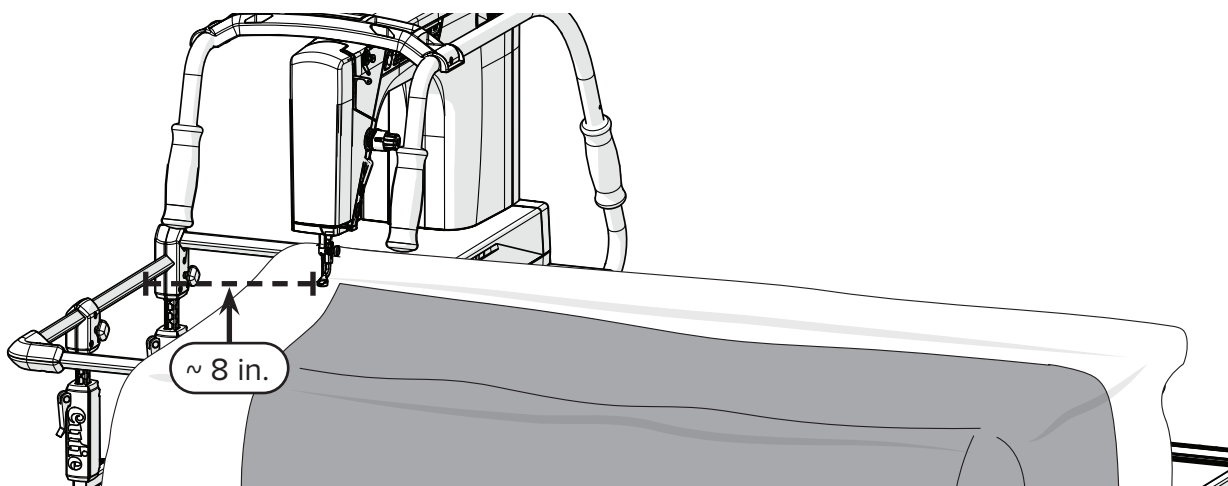


Task 13 - Attaching Your Quilt (continued)

- 5 Position the fabric over the rails, and make sure you square up the edges of your quilt with the frame rails. Remember that it's ok if your quilt is too small to cover every rail.

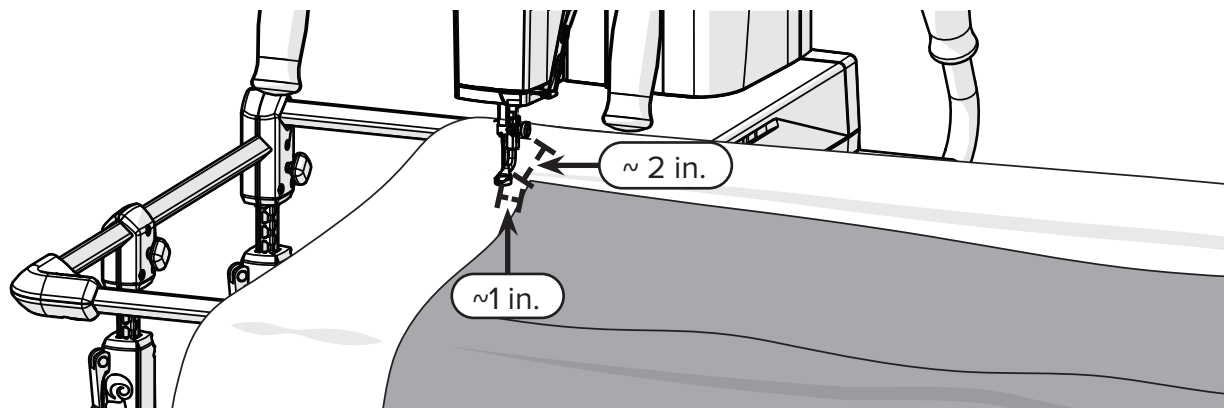


- 6 Align your machine in the back-left corner so that the needle is about 8 inches from the left side rail.



- 7 Align the top-left corner of your quilt top about **1 inch** to the right of the needle and about **2 inches** in front of the take-up rail.

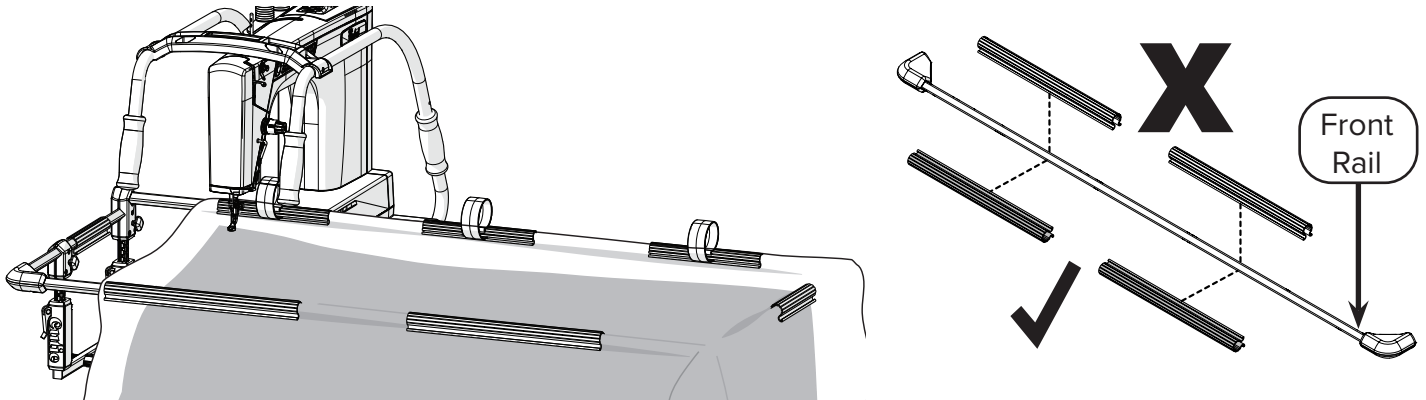
Tip: Once you have the quilt in the correct place, feel free to move the machine as needed. Moving the machine can make it easier to put on the clamps in the next step.



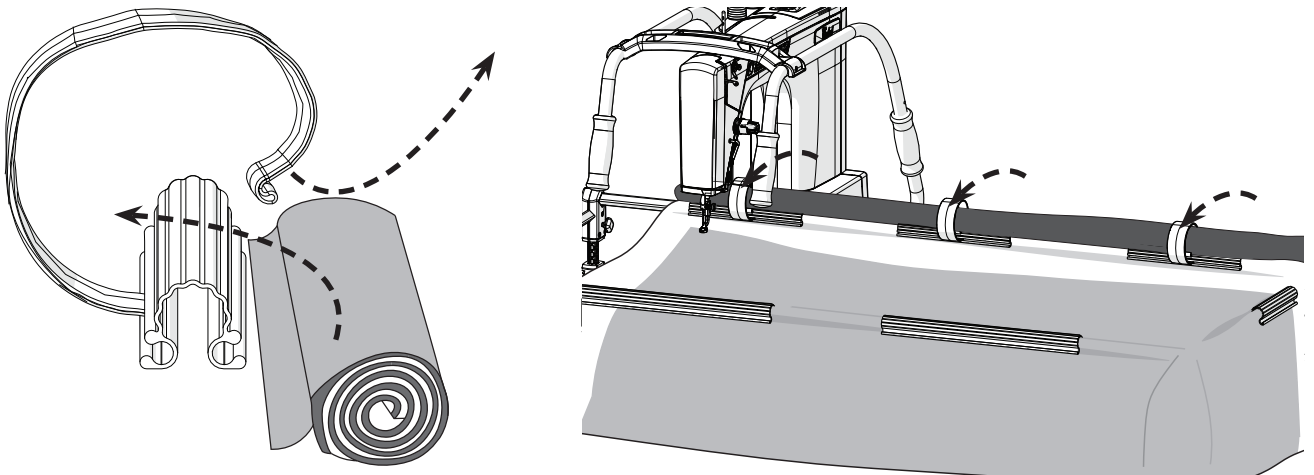
Part Four

Task 13 - Attaching Your Quilt (continued)

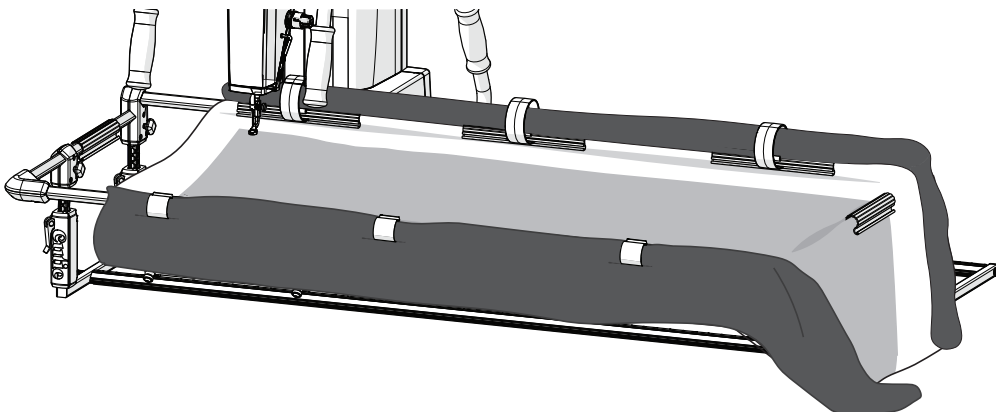
- 8 Press the fabric clamps onto the rails to hold the fabric in place. For the take-up rail, use the clamps with the coils and make sure that the coil curls toward the back of the frame. Make sure to keep the fabric wrinkle free as you attach the fabric clamps. **Note:** The front clamps work best when attached from the front of the front rail, rather than from the top of the rail.



- 9 If your fabric is crumpled up in the throat of the machine, then roll up the edge of your quilt in the throat of the machine. Pull out the coil, and then slip the rolled fabric into the coil clamps.



- 10 If your fabric is draping over the front rail, then flip up the edge of the fabric onto the rail. Slide the mini clips over the fabric edge to secure it.



- 11 **Task Result:** Your quilt is attached to the frame.

Task 14 - Tacking Down Your Quilt

Instructions

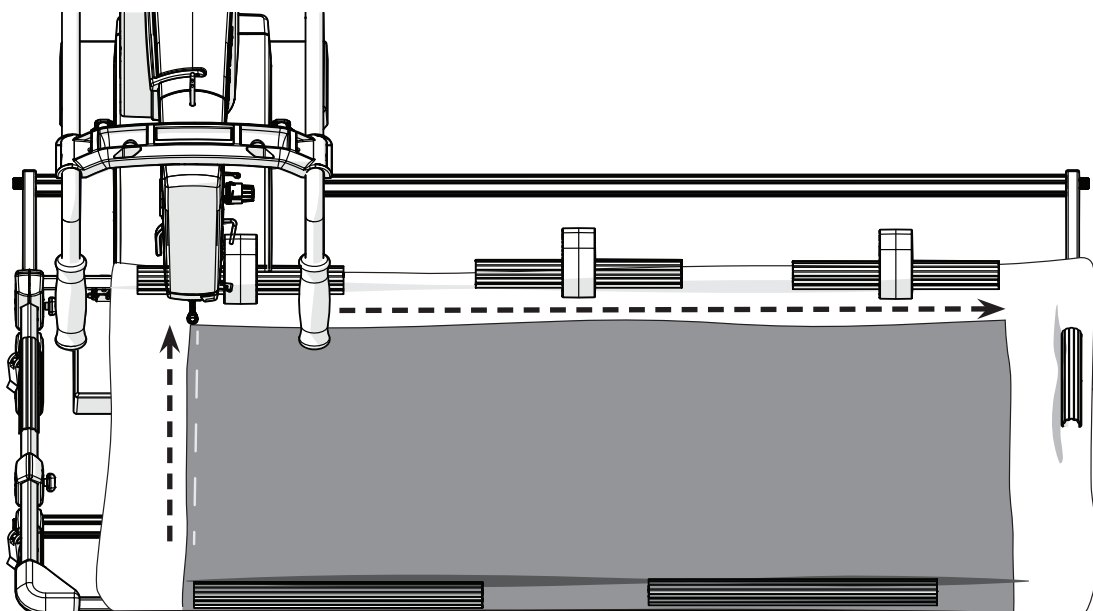
Tacking down the edges of your quilt helps keep your quilt top from shrinking or scrunching up as you fill it in. Tacking down your quilt also helps stabilize the quilt layers.

At the beginning, you might only be able to tack down the left and top edges of the quilt top. However, as you move the fabric to stitch other parts of the quilt, you must tack down any other edges that fit in the hoop frame.

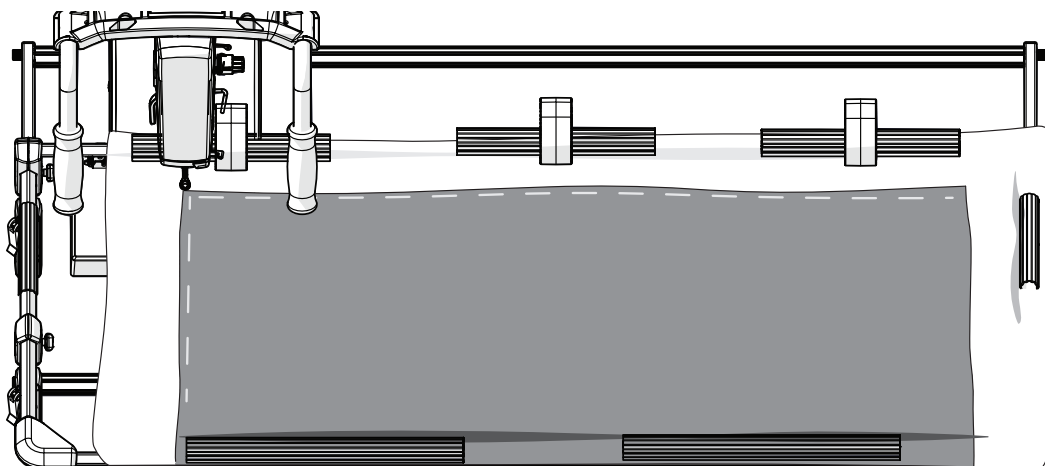
Take the following steps to tack down your quilt:

- 1 Starting in the front-left corner of the quilt top, stitch along the edges of the quilt top, about a quarter of an inch from the backing and batting.

Note: Every time you move your quilt to sew a new area, tack down the revealed edges.



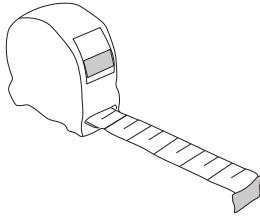
- 2 **Task Result:** The quilt top is tacked down, helping to prevent the edges of the quilt creeping inward.



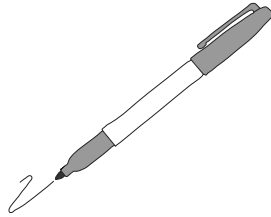
Task 15 - Marking the Safe Area

Parts & Tools Needed

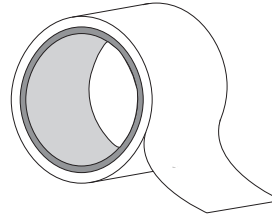
Tape Measure or Ruler
(not included)



Fabric Marking Pencil
or Chalk (not included)



Painter's Tape (not
included)



Instructions

Different sewing machines have different amounts of reach over the quilt depending on their throat space and other factors. When you are first becoming familiar with your frame, it can be easy to forget that your machine cannot reach all the way to the edge of the frame.

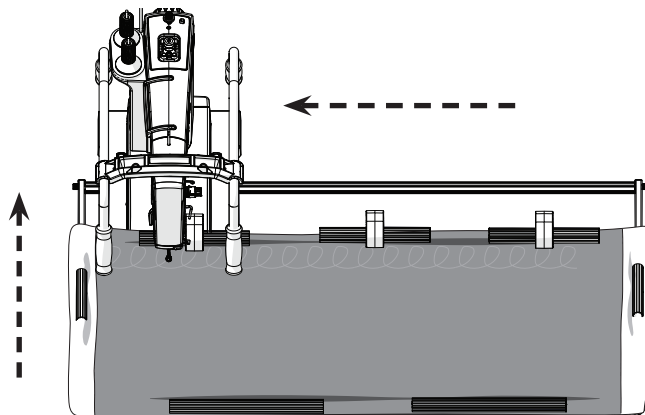
To help you get an idea of the reach of your machine, mark out the “safe area” with tape, chalk, or washable fabric marker. The safe area is everywhere within the frame hoop that your machine can reach and make stitches in without bumping any rails.

Knowing the safe area keeps your machine, your frame, and, most importantly, your quilt safe from problems that can arise outside of the safe area.

With your quilt on the frame, take the following steps to mark out your safe area:

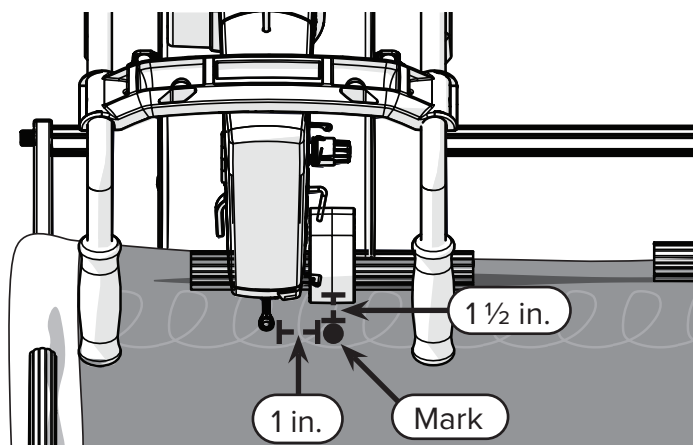
- 1 Move your machine to the back-left corner of the frame.

Note: The images in this task show a quilt that is in the middle of the quilting process. However, the steps to mark out the safe area are the same throughout the quilting process.



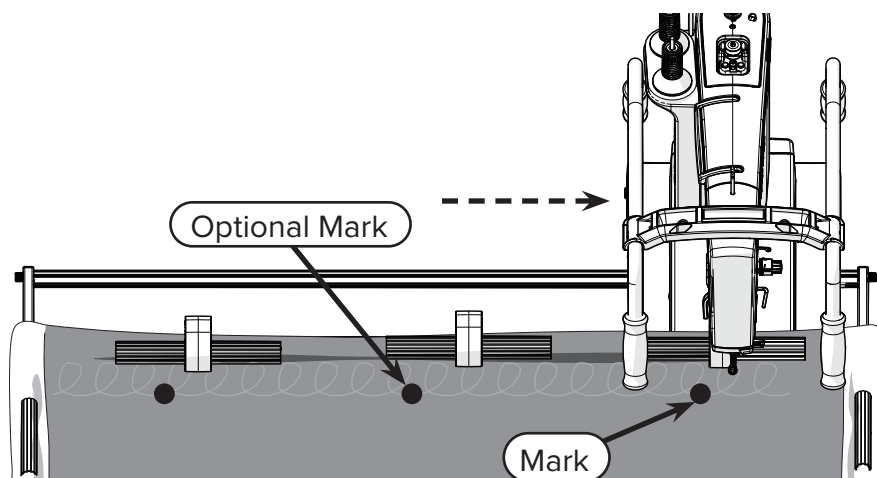
Task 15 - Marking the Safe Area (continued)

- 2 Mark **1 ½ inches** from the take-up rail or that area (see note) and **1 inch** from the right of your needle with your marking tool. This mark indicates the farthest left and back you can quilt before you risk hitting the take-up or side rail.



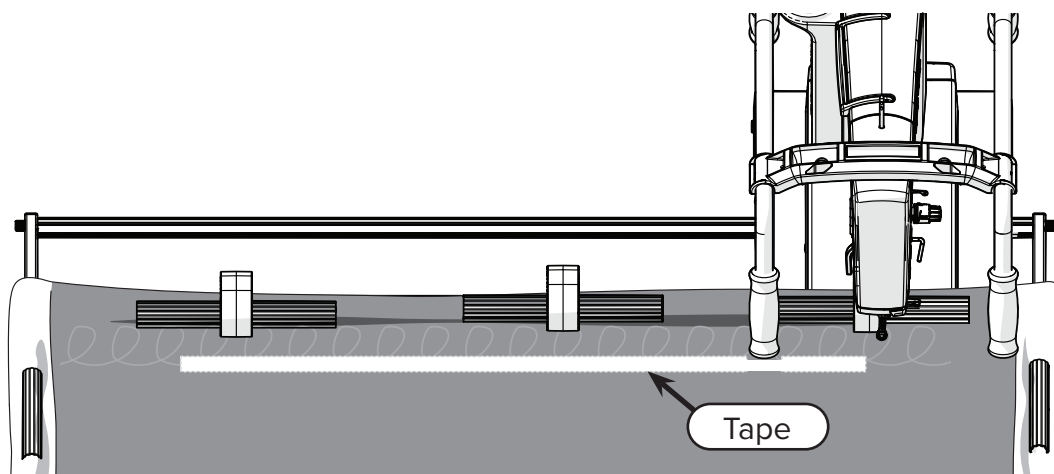
Note: When you're deciding where to measure the 1 ½ inches from, look at the items on the take-up rail (such as the coil clamp) and then look at which parts of your machine (such as the presser bar lever) might hit those items. It might make more sense to measure from that item (for example, the coil clamp) rather than from the take-up rail itself. With a big quilt, you might end up measuring from where the roll of fabric sticks out over your hoop.

- 3 Move your machine to the back-right corner of the frame. Mark the corner 1 ½ inches from the take-up rail and 1 inch from the left of your needle. The note from step 2 applies in this step.



Tip: It might help to make a few **optional marks** (1 ½ inches from the take-up rail) in between the corner marks to more clearly indicate where the edge of the safe area is.

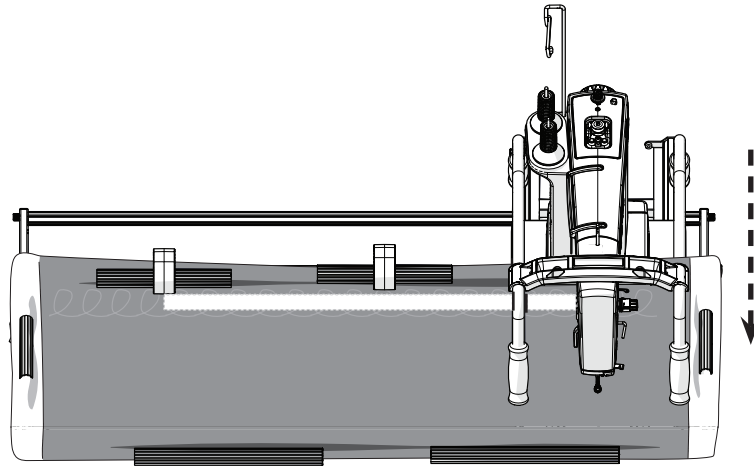
- 4 **Tape** (or draw) a line over your marks. Now you have a clear indication of the boundary for the safe area near the take-up rail.



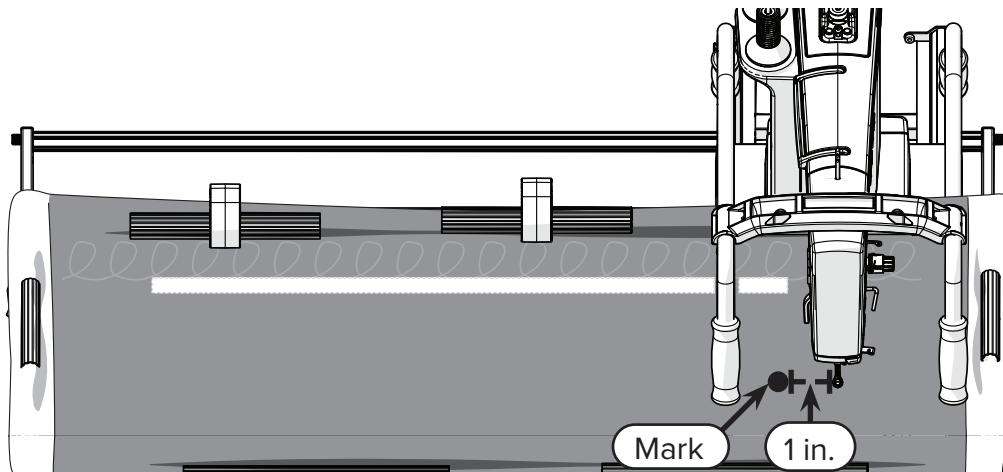
Part Four

Task 15 - Marking the Safe Area (continued)

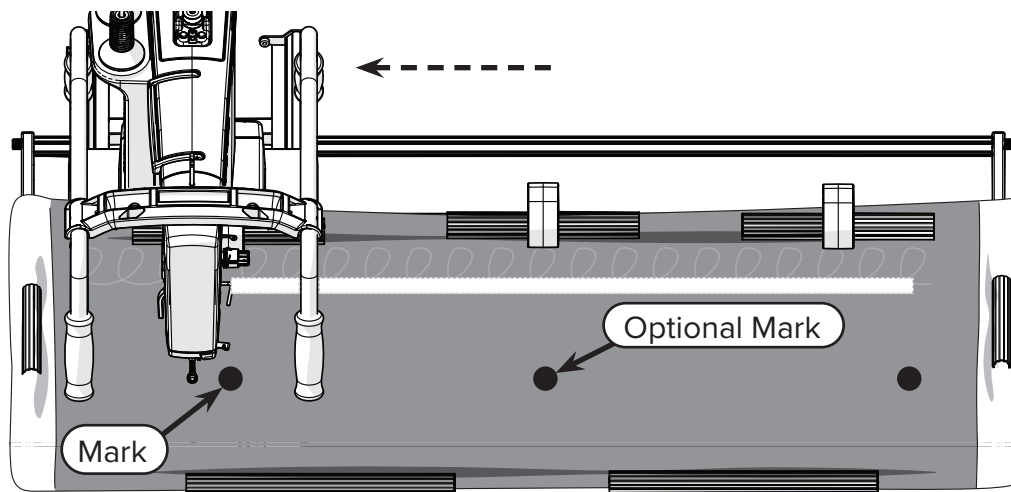
- 5 Move your machine to the front-right corner of the frame, as far forward as you can.



- 6 **Mark 1 inch** from the left of the needle. This mark indicates the farthest right and forward you can quilt before you risk hitting the side rail.



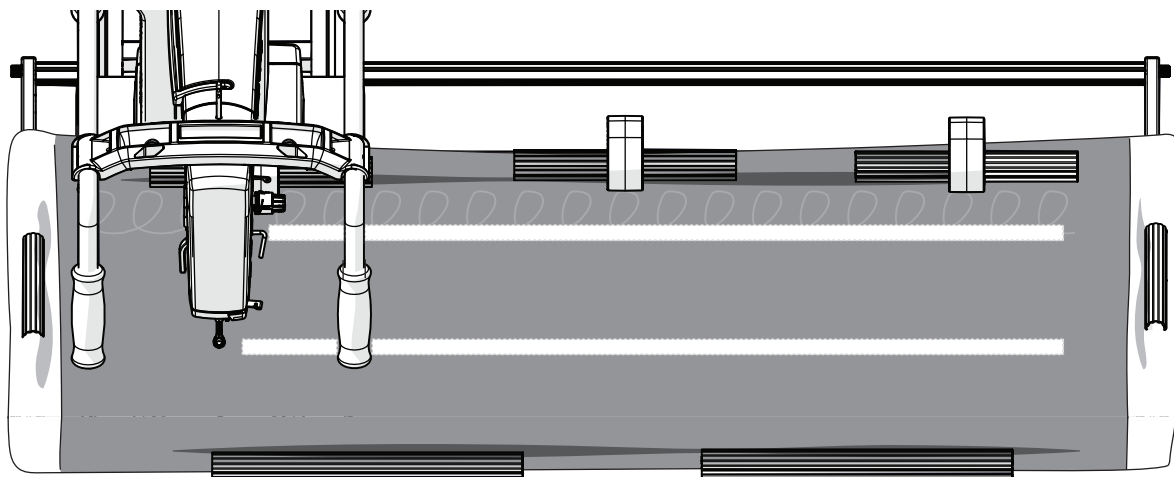
- 7 Move your machine to the front-left corner of the frame. **Mark 1 inch** from the right of the needle. This mark indicates the farthest left you can quilt before you risk hitting the side rail.



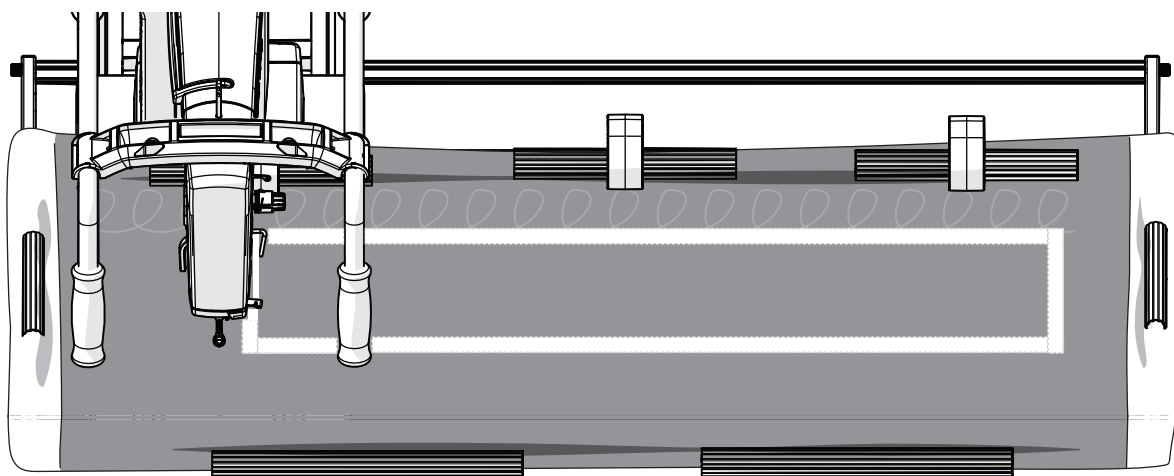
Tip: It might help to make a few **optional marks** in between the corner marks to more clearly indicate where the edge of the safe area is. Create the optional marks by stopping a few times while moving the machine to the front-left corner, and marking where the needle is.

Task 15 - Marking the Safe Area (continued)

- 8 Tape (or draw) a line over your marks. When you are finished, you have a clear indication of the boundary for the safe area near the front rail.



- 9 To mark the sides of your safe area, tape (or draw) between the left ends of the front and back line, and then tape (or draw) between the right ends of the front and back line.



- 10 **Task Result:** The safe area is marked, and you can easily see where your machine can reach on the frame.

Reminder

Repeat the process of marking the safe area each time you move the quilt on the frame.

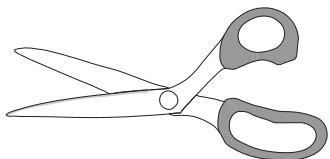
As you become more familiar with how your machine fits on your frame, you might memorize the boundaries and no longer need to apply the marks and tape. You might also discover that the safe area changes size slightly depending on the size of your quilt and how much fabric is rolled up in the throat of the machine.

Remember that the safe area keeps your machine, your frame, and, most importantly, your quilt safe. If you have any doubt that you know the safe area, take the time to find and mark the safe area after each time you move your quilt.

Task 16 - Starting and Ending Your Designs

Parts & Tools Needed

Scissors (not included)



Note: In this task, the images of the sewing machine's needle area might not match your machine, but the processes described still work the same.

Instructions

With the frame assembled, your machine prepared, and the fabric attached to the frame, you are ready to begin quilting. As you quilt, follow the steps in this task to start and end your designs, which makes sure that your quilting is secure and neat.

Practice starting, stitching, and ending your designs on spare fabric to become familiar with your machine and how it moves on the frame. Practice increases your confidence and decreases your mistakes when you start your quilting projects. It is normal to make mistakes, so do not be discouraged if your practice stitches do not look perfect right away. Keep practicing with spare fabric until you feel confident in your stitches.

1 Make sure you are ready to quilt by checking each of the following items:

- Your machine is in quilting mode (if available).
- Your machine has the correct hopping foot installed.
- Your machine's feed dogs are lowered or covered.
- Your machine is threaded and tensioned correctly.
- Your machine is plugged in.
- Your fabric is attached to the frame.
- Your safe area is marked.
- Your hopping foot is lowered.
- Your quilt is tacked down on at least the left and top edge of the quilt top.

Tip: Before you start stitching, draw your design on the fabric with a marking tool. Especially when you are practicing, tracing a design or your name is helpful to receive feedback on how your movements affect your stitches. Also, tracing can be easier to keep consistent as you practice or create.

2 Before you start stitching, pull up your bobbin thread to prevent the thread tail from dangling underneath the fabric and getting sewn in place as you quilt.

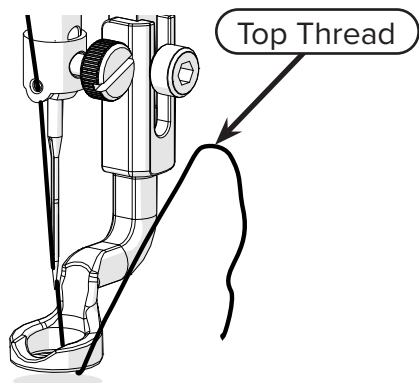
Take the following steps to pull up your bobbin thread at the start of stitching:

- a Position the needle directly above where you want to begin your design. In general, when you are starting a design, position the needle in the top-left corner of your safe area.

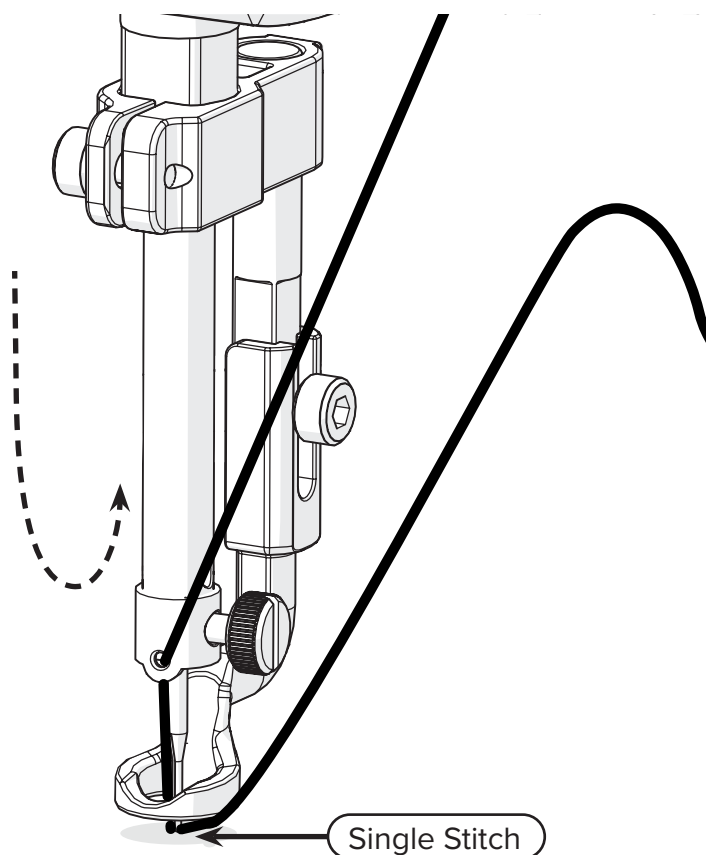
Task 16 - Starting and Ending Your Designs (continued)

- b Pick up and hold the top thread tail so that it is tight.

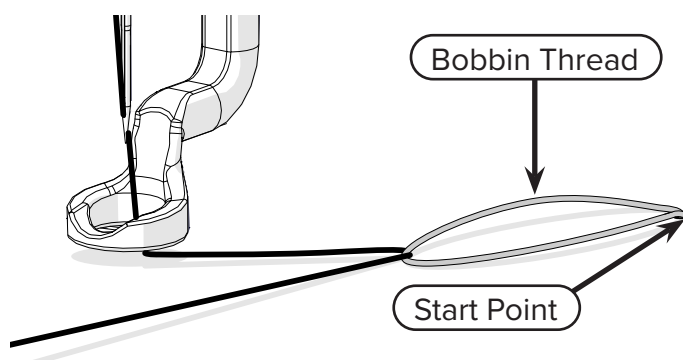
Note: It doesn't matter whether the thread is under the foot or not.



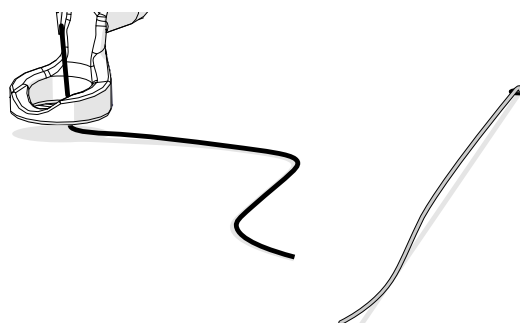
- c While still holding the top thread tail, make a **single stitch**. If your machine has a single stitch button, press it once. If it has a needle up/needle down button, press it twice. You can also use the hand wheel if your machine doesn't have a button.



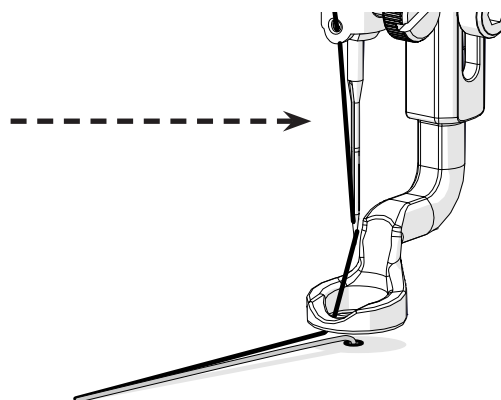
- d Continue holding the top thread tail, and move the machine several inches to the side. The top thread pulls a loop of **bobbin thread** through the **start point** in the top of the fabric.



- e Continue pulling until the loose end of the bobbin tail comes up from underneath the fabric. **Tip:** Once the loop is big enough, hook your finger in the loop to pull on the bobbin thread and pop it out.



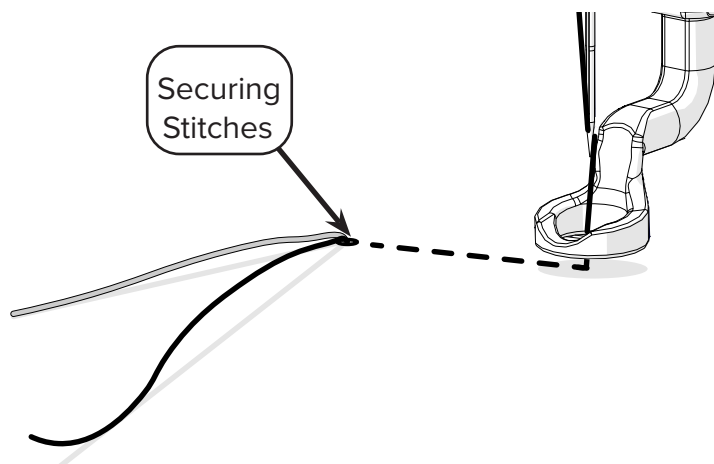
- f Gather up both thread tails and move the machine back to the start point. Pull on the thread tails, especially the bobbin tail, until both threads are tight.



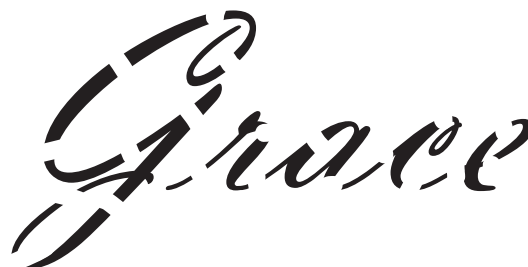
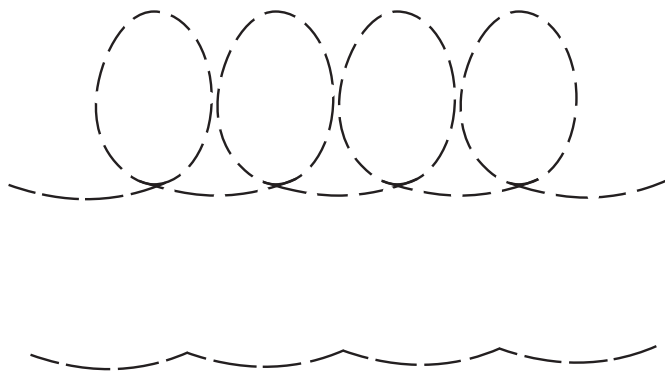
Part Four

Task 16 - Starting and Ending Your Designs (continued)

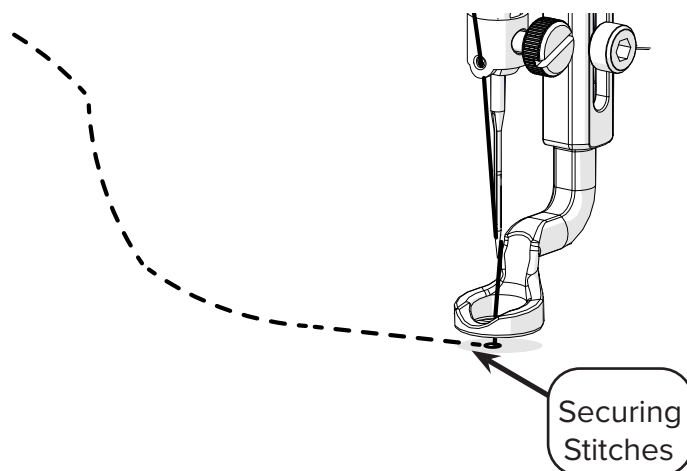
- Secure your design by making three securing stitches very close together right next to the place where you pulled up the bobbin thread. Then begin stitching.



- Especially if you are practicing, as you stitch your design, pay attention to how your stitches change based on the speed at which you move the machine. Vary your speed to determine your ideal movement speed. **Note:** If you have a quilting machine or a stitch regulator, the speed at which you move the machine doesn't change the stitches.



- Complete your design by making three securing stitches very close together at the end of your design.

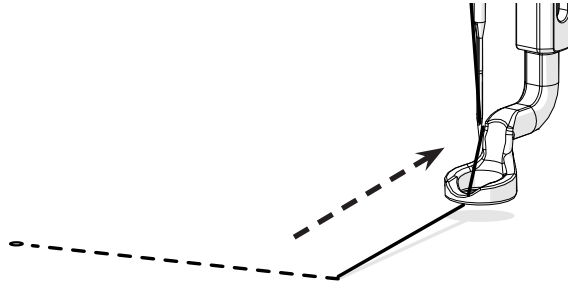


Task 16 - Starting and Ending Your Designs (continued)

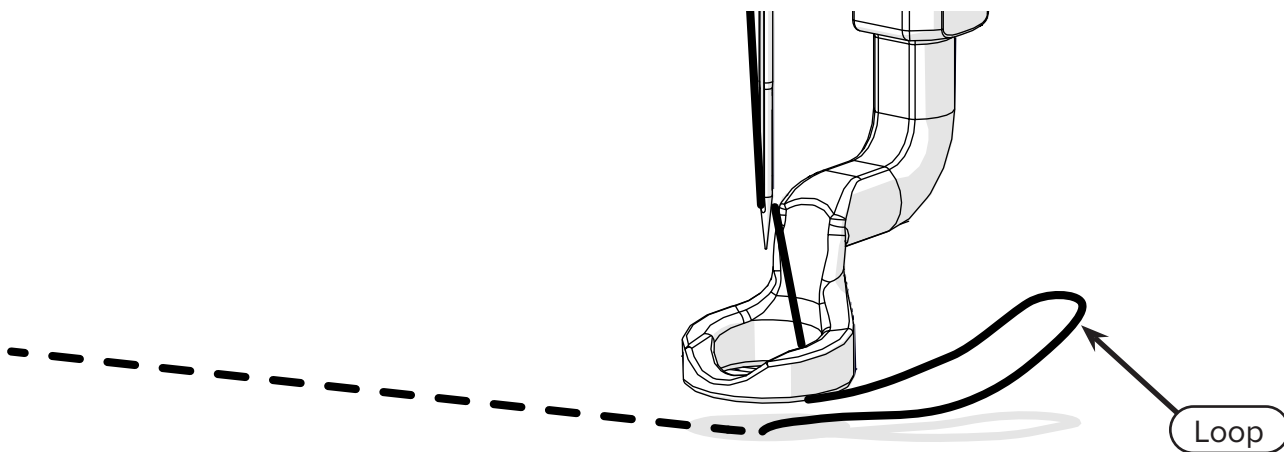
- 6 Pull up your bobbin thread to prevent the thread tail from dangling underneath the fabric and getting sewn in place as you quilt. **Note:** The process of pulling up the bobbin thread at the end of stitching is slightly different from the start of stitching.

Take the following steps to pull up your bobbin thread at the end of stitching:

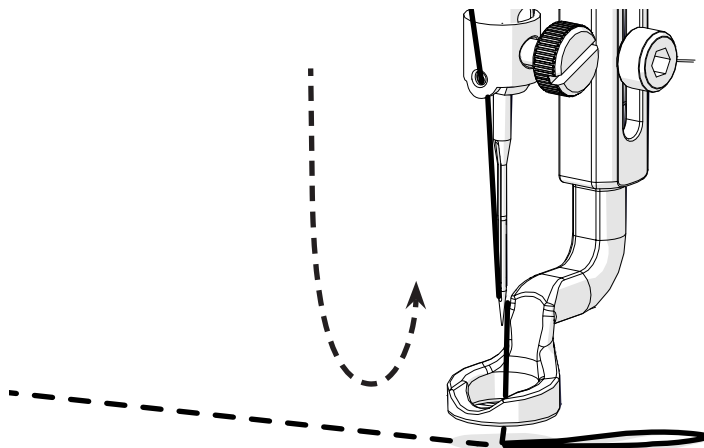
- a Move the machine away from the last stitch.



- b Hold the top thread to make a **loop**, and then return the needle to the last stitch.

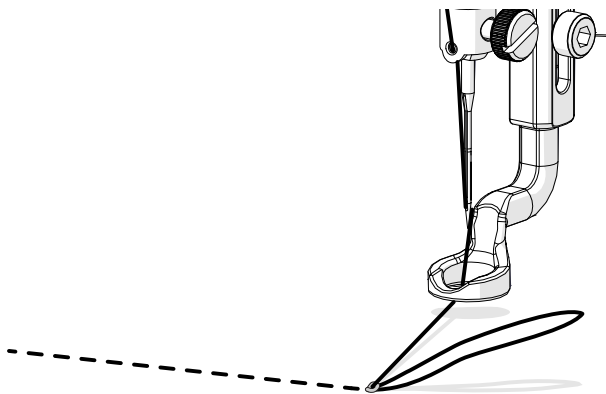


- c While still holding the loop, make a single stitch over the last securing stitch.

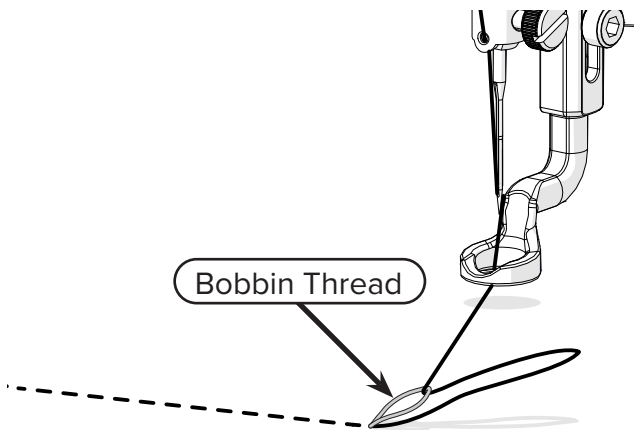


Task 16 - Starting and Ending Your Designs (continued)

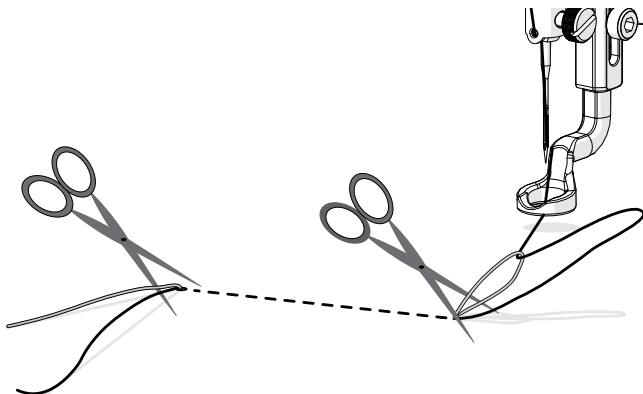
- d Continue to hold the loop and move the machine away from the last stitch again.



- e As you move away from the last stitch, a loop of **bobbin thread** is pulled up. Keep moving away until the loop is big enough to grab.



- 7 Cut all threads close to the securing stitches at the end of the design. Also cut the thread tails from the beginning of your design. If you are practicing, keep trying different designs until you feel comfortable with how your machine feels and moves on the frame, and you are confident that you know how to pull up the bobbin thread at the start and the end of your designs.



Task 16 - Starting and Ending Your Designs (continued)

Tip: When you need to access your machine's bobbin case, move the machine to a corner of the frame and carefully pull the edge of the quilt aside.

Congratulations!

You have finished your first design and have practiced starting, stitching, and ending your design with your machine and frame. Once you are comfortable with using your machine and frame together, you are ready to begin your quilting journey.

If you are using a Q'nique quilting machine, continue to Part Four of your machine instruction manual for detailed information on specific stitching modes that you can use to create your projects.

Continue to the next task to learn how to move your quilt to a different zone.

Task 17 - Moving Your Quilt to a Different Zone

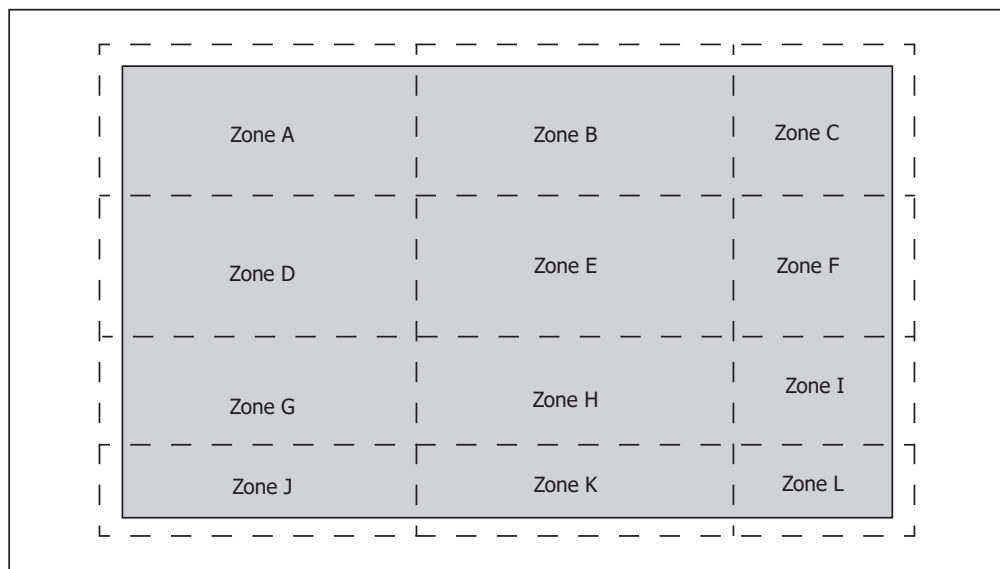
Instructions

Many quilts are larger than the frame's hoop. Therefore, you must create zones on the quilt that you fully quilt before you move the quilt to a different section. The following image is an example of how you might set up the zones on your quilt.

Your quilt might have more or fewer zones depending on the size and shape of the quilt. In general, the best method is to start at the top-left corner of your quilt, stitch each zone across, and then move down to the next row of zones.

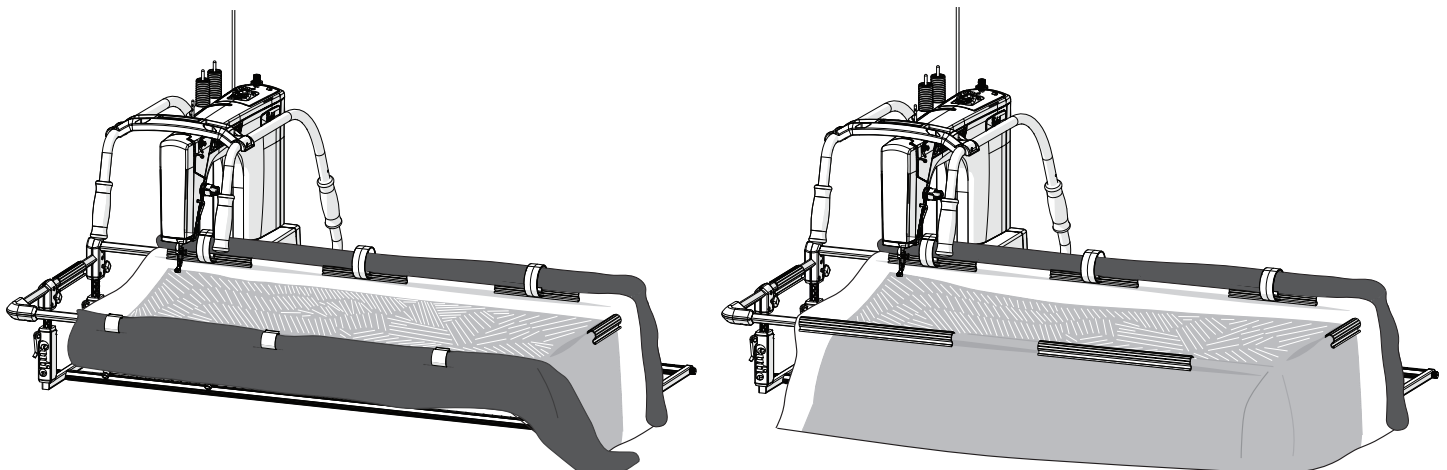
Remember that your zones do not have to be all the same size.

Note: To make sure your stitch lines are smooth and seamless, create about 2 inches of overlap between your zones, so that when you move to a different zone, 2 inches of the stitched area from the previous zone are in the safe area of the next zone.



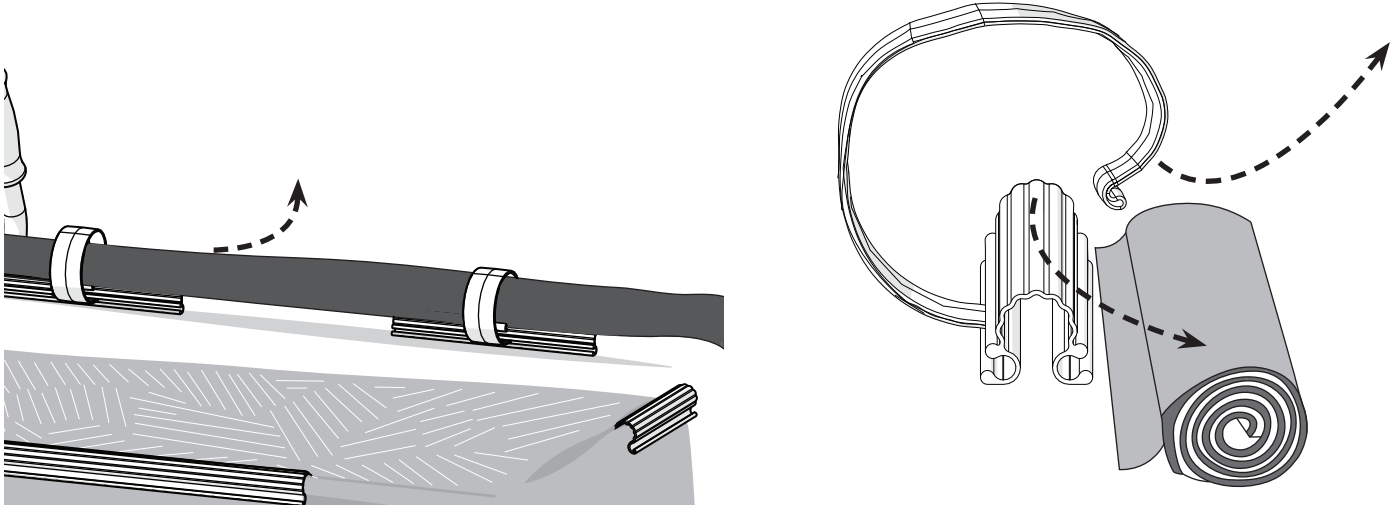
Take the following steps to move your quilt to a different zone:

- 1 If you secured the front edge of the quilt with the mini clips, then remove the clips to let the fabric drape over the front rail completely.

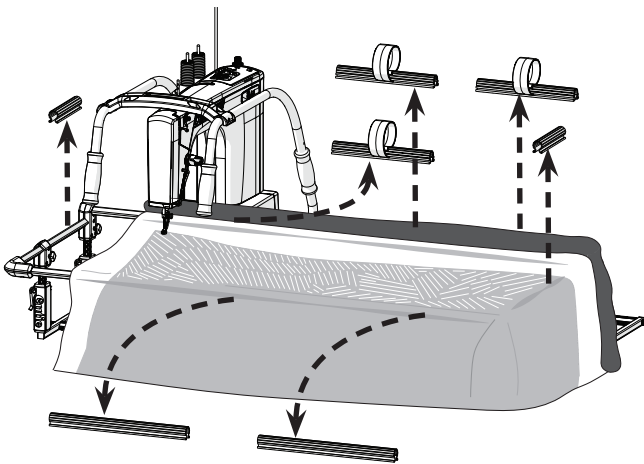


Task 17 - Moving Your Quilt to a Different Zone (continued)

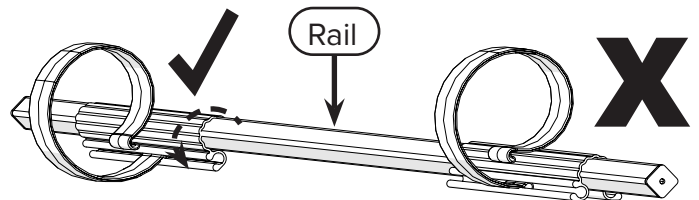
- 2 If you rolled up some of the quilt in your coil clamps, slide it out of the coils.



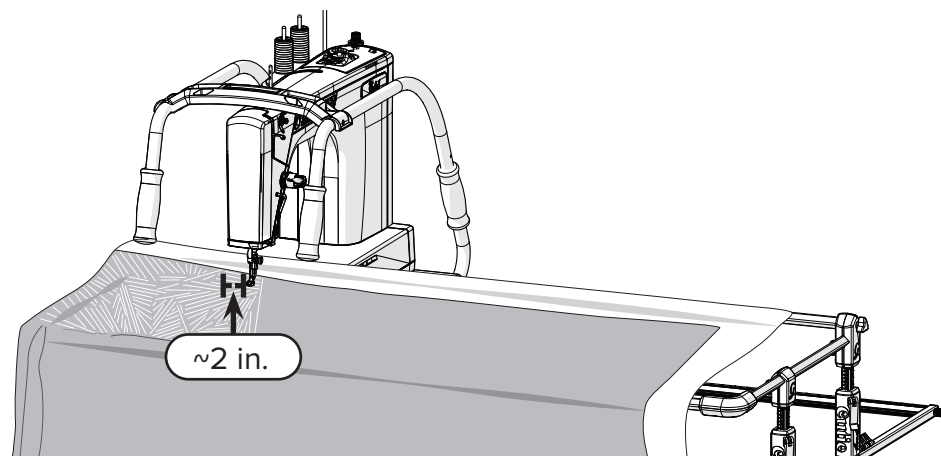
- 3 Remove the fabric clamps from all the rails.



Tip: When you remove the clamps from the rail, orient the clamps so that they are lined up with a flat side of the rail, rather than an angle of the rail, before you pull the clamps off.



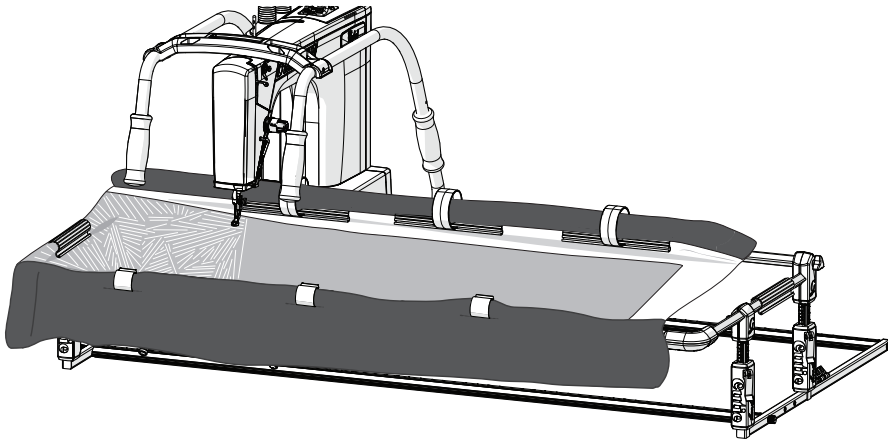
- 4 Reposition your quilt so that the next zone of unstitched space is in the quiltable area. Remember to leave **about 2 inches** of overlap between your zones to make sure your stitch lines are smooth and seamless.



Part Four

Task 17 - Moving Your Quilt to a Different Zone (continued)

- 5 Replace the fabric clamps to secure the quilt in the new position, including rolling up the fabric in the throat of the machine and sliding it into the coil clamps, and securing the front edge with the mini clips.



Note: Remember to tack down your edges immediately after moving to a new zone. See “Task 14 - Tacking Down Your Quilt” on page 49.

Also, mark the safe area for the new zone. See “Task 15 - Marking the Safe Area” on page 50.

- 6 **Task Result:** Your quilt is moved to a different zone, and you are ready to continue sewing the next zone.

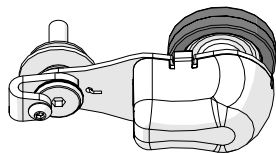
Congratulations!

Now that you have zoned your quilt and know how to move your quilt along the zones as you stitch, you have all the skills you need to successfully enjoy your Cutie Breeze frame.

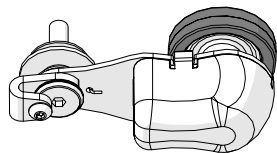
Accessories - Encoder Installation

Parts & Tools Needed

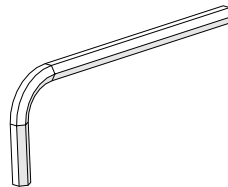
Lower Encoder



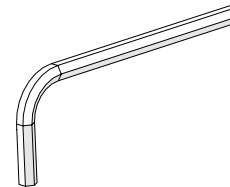
Upper Encoder



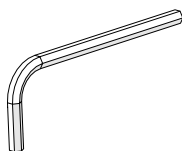
Allen Wrench 5 mm



Allen Wrench 4 mm



Allen Wrench 2.5 mm



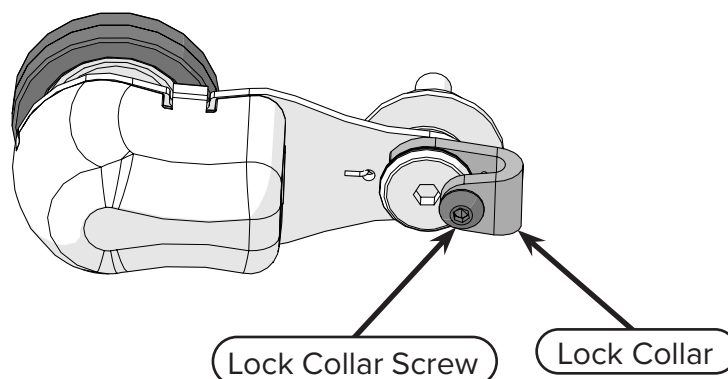
Instructions

These instructions are optional and only apply if you have purchased a wheeled quilting machine or the SureStitch accessory stitch regulator. For more information about the encoders, see your product's instruction manual. Take the following steps to install the encoders on your Cutie Breeze frame.

Lower Encoder Installation

Install the lower encoder on the bottom carriage before you install the top plate or wheeled quilting machine. Take the following steps to install the lower encoder:

- 1 Loosen the **lock collar screw** on the lower encoder with the 2.5 mm Allen wrench until the **lock collar** turns freely.



Part Four

Accessories - Encoder Installation (continued)

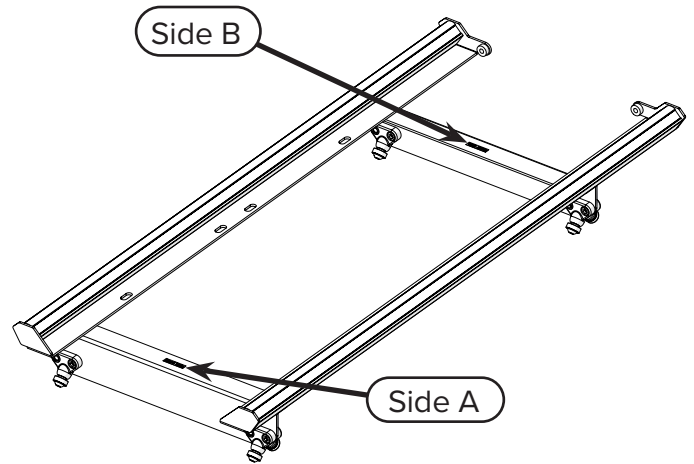
- 2 Orient the bottom carriage the way you're going to use it on the frame.

Use **Side B** in the back if:

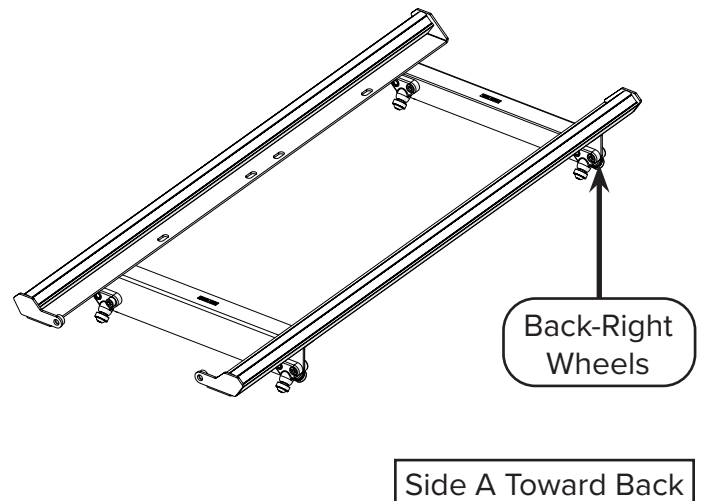
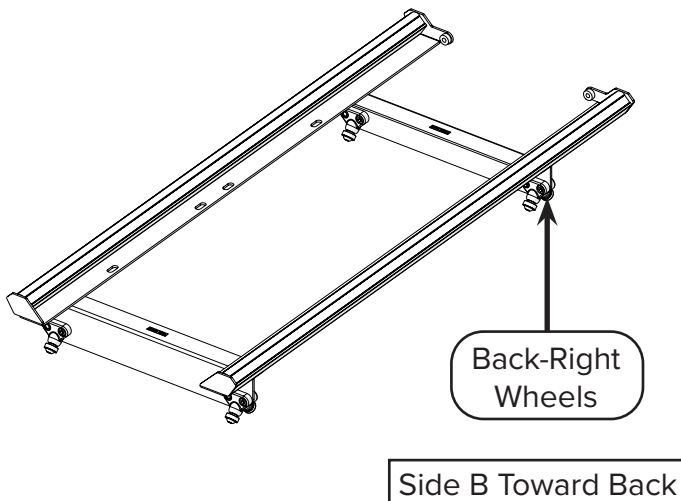
- You are using Quilter's Creative Touch (QCT, formerly QuiltMotion) with any kind of machine.
- You have a wheeled quilting machine.

Use **Side A** in the back if:

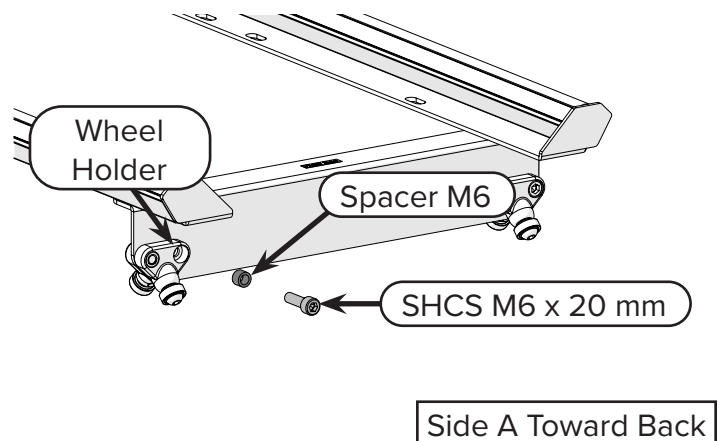
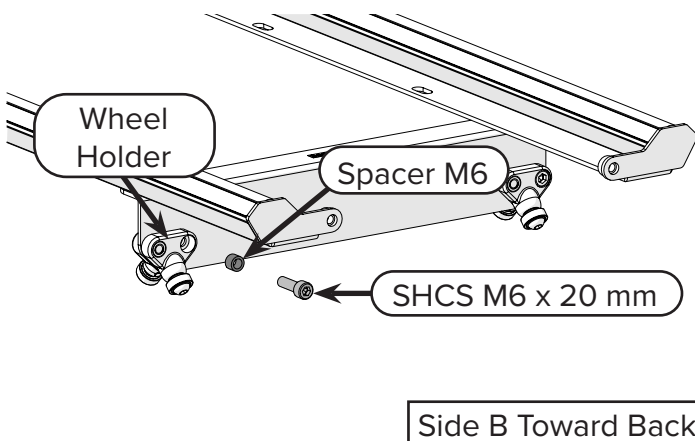
- You have a wheel-less sewing machine to put on the top plate.



- 3 Using the orientation you selected, find the back-right wheels of the bottom carriage.

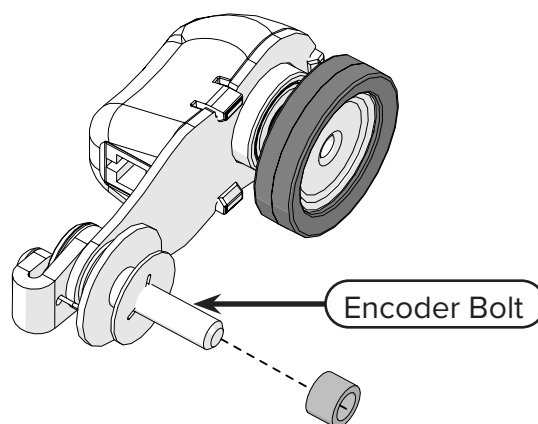


- 4 For either orientation of the bottom carriage, use the 5 mm Allen wrench to remove the **M6 x 20 mm SHCS** and the **M6 spacer** from the back of the back-right **wheel holder**. The screw is not needed again. The spacer is needed for attaching the encoder to the carriage.



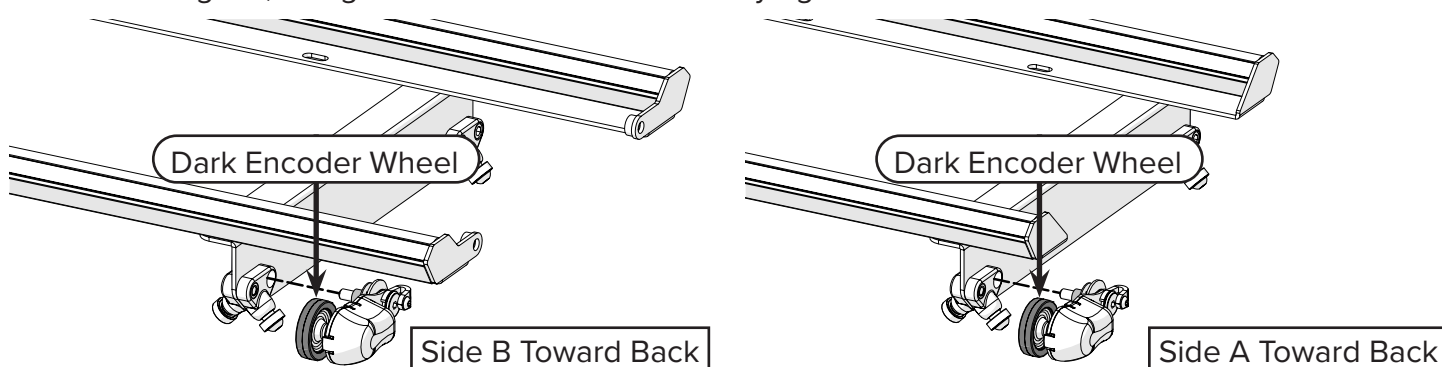
Accessories - Encoder Installation (continued)

- 5 Slide the spacer onto the **encoder bolt**.

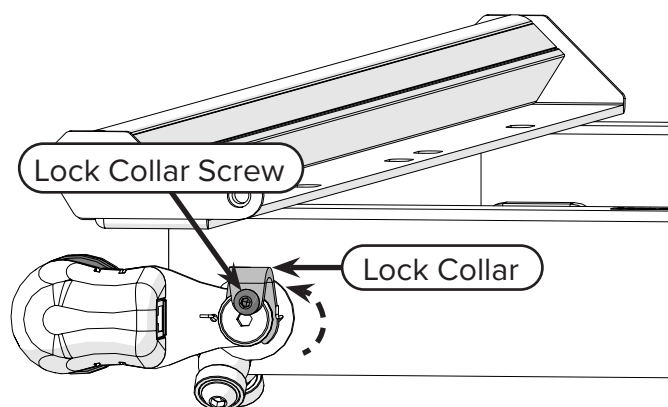


- 6 For either orientation of the bottom carriage, install the lower encoder in the hole in the wheel holder so that the **dark encoder wheel** is pointing away from the carriage. Tighten the encoder bolt with the 4 mm Allen wrench.

Note: The wheel holder might have shifted when you removed the screw. If the encoder bolt doesn't go in, straighten the wheel holder and try again.



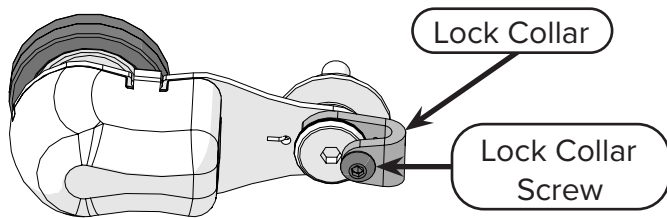
- 7 Turn the encoder lock collar to point up, and then tighten the lock collar screw with the 2.5 mm Allen wrench. You also need to plug the lower encoder into the lower encoder port on your machine or accessory. For details, see those product manuals.



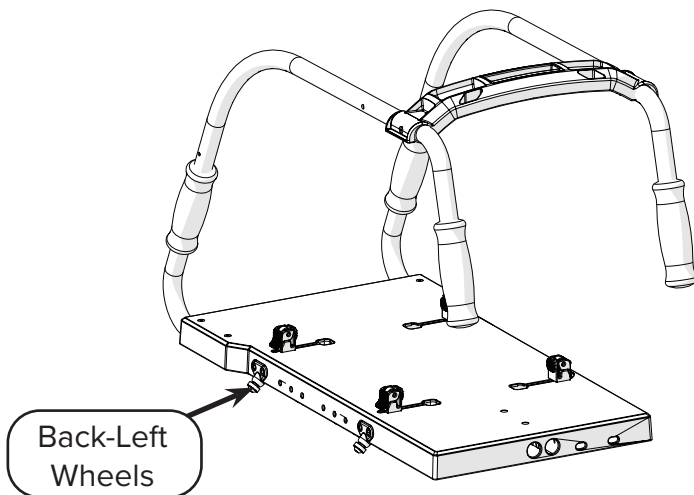
Upper Encoder Installation

If you are using a wheeled quilting machine that your encoders came with, then see your machine manual for instructions on installing the upper encoder. Otherwise, take the following steps to install the upper encoder on the top plate for your frame:

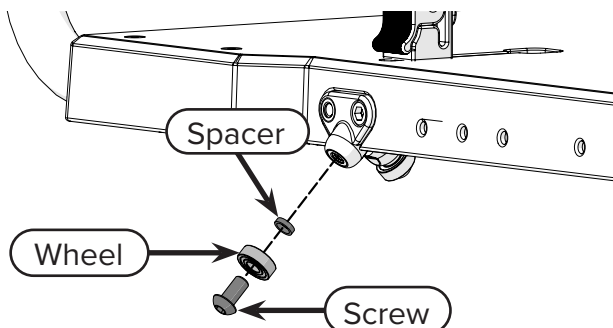
- 1 Loosen the **lock collar screw** on the upper encoder with the 2.5 mm Allen wrench until the **lock collar** turns freely.



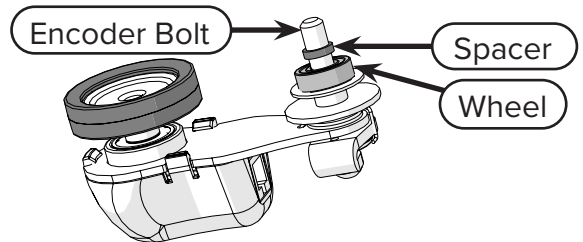
- 2 Locate the back-left wheels of the top plate.



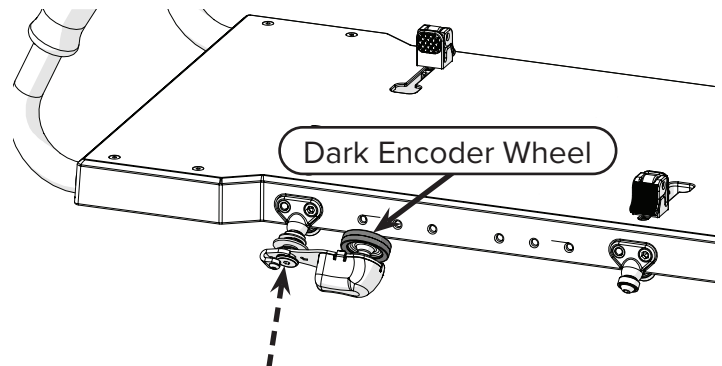
- 3 Use the 4 mm Allen wrench to remove the back-left outside **screw** that secures the wheel in place. The **wheel** and the **spacer** come off. Make sure to keep them, as they are used again. The screw is not needed again.



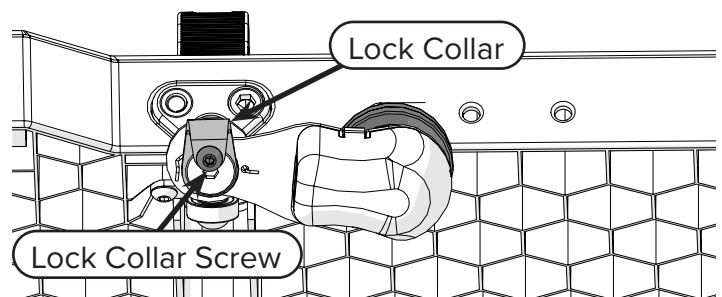
- 4 Slide the **wheel** and then the **spacer** onto the **encoder bolt**.



- 5 Install the upper encoder in the wheel hole so that the **dark encoder wheel** is pointing toward the front-left wheels on the top plate. Tighten the encoder bolt with the 4 mm Allen wrench.



- 6 Turn the encoder **lock collar** to point up, and then tighten the **lock collar screw** with the 2.5 mm Allen wrench. You also need to plug the upper encoder into the upper encoder port on your machine or accessory. For details, see those product manuals.



Notes

Feel free to use this page as a place to take notes or write down anything that will help you make the most of your Cutie Breeze frame.

Grace
COMPANY

www.graceframe.com

1-801-485-6688