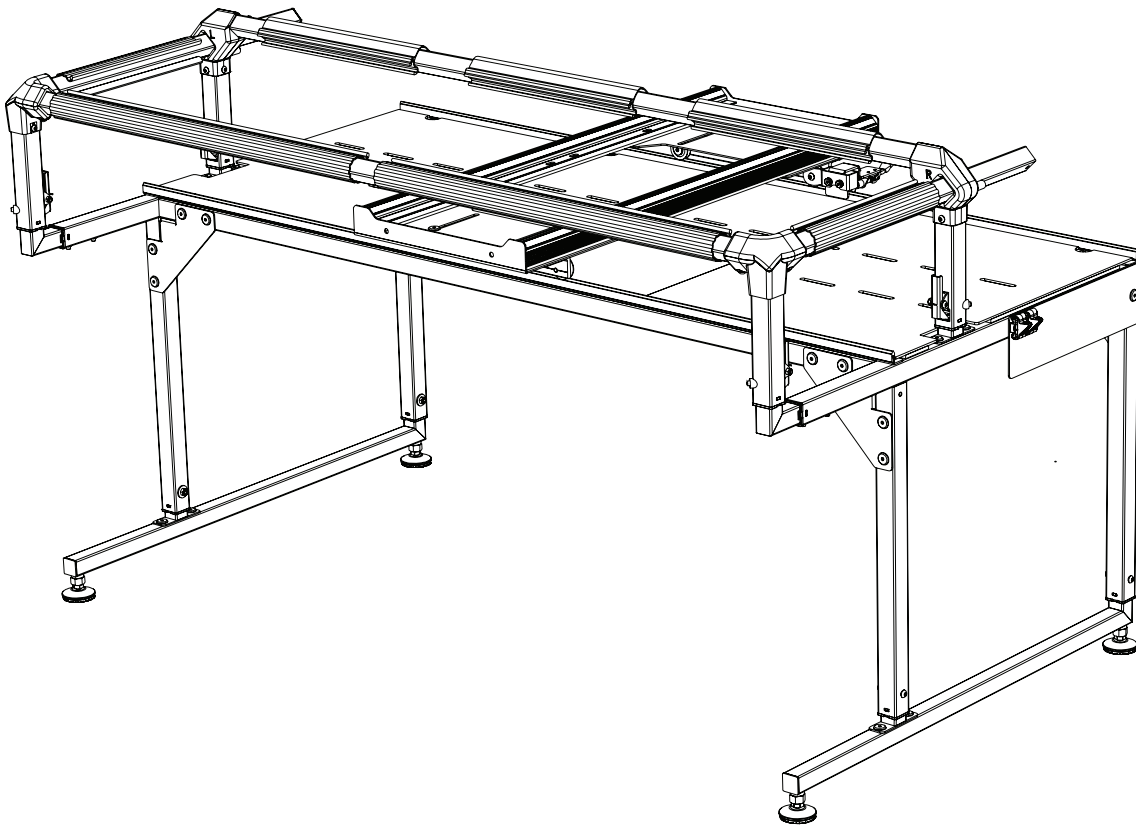


Q-Zone Hoop-Frame

Table Accessory Assembly Instructions



Copyright October 26, 2018
Grace Company
(Reproduction Prohibited)
Version 2.1

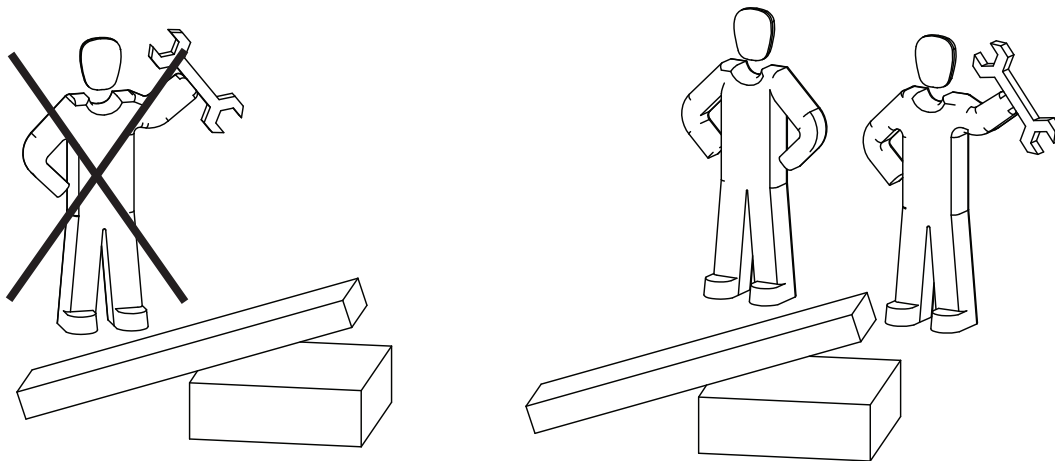
Grace
COMPANY

Table of Contents | Q-Zone Hoop-Frame Table Accessory

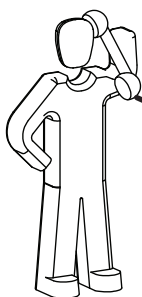
Table of Contents	i
Warranty	
Warranty Information	ii
Parts List	
Parts List.....	iii
Preparation	
Step 1 - Preparation.....	1
Assembly	
Step 2 - Table Accessory Support Installation	2
Step 3 - Plastic Table Surface Installation	3

Warranty Information for your Q-Zone Hoop-Frame Table Accessory

The Q-Zone Hoop-Frame Table Accessory has a One-Year limited warranty on all parts. The Grace Company will repair or replace, at its discretion, any part with problems due to our manufacturing or defects in materials. This warranty does not cover parts damaged through misuse, improper storage, improper assembly, loss, natural events, and willful destruction. Parts must be returned to the Grace Company, shipping prepaid, before we can repair or replace them. We will promptly return the repaired/replaced part at our expense if done within a year of the purchase date.



?

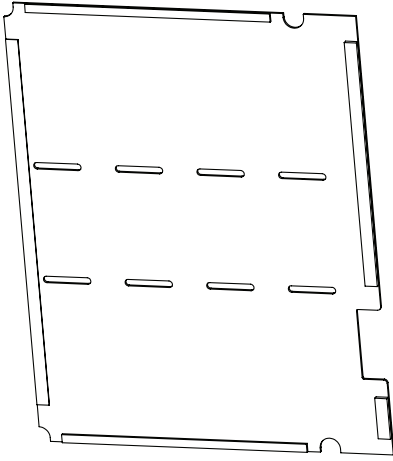


1-800-264-0644

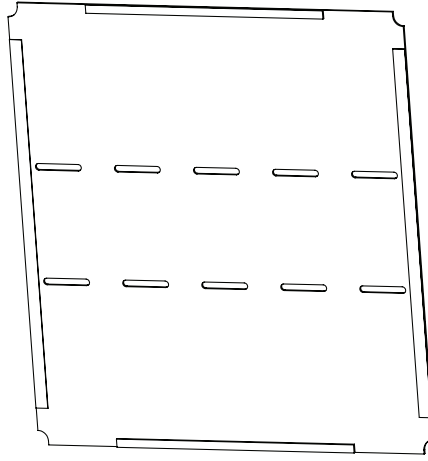
Grace
COMPANY

Parts List | Q-Zone Hoop-Frame Table Accessory

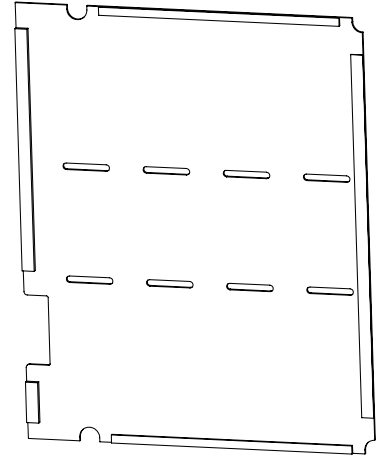
Parts List Box 1



Plastic Table Surface -
Left Section (1)



Plastic Table Surface -
Center Section (1)



Plastic Table Surface -
Right Section (1)



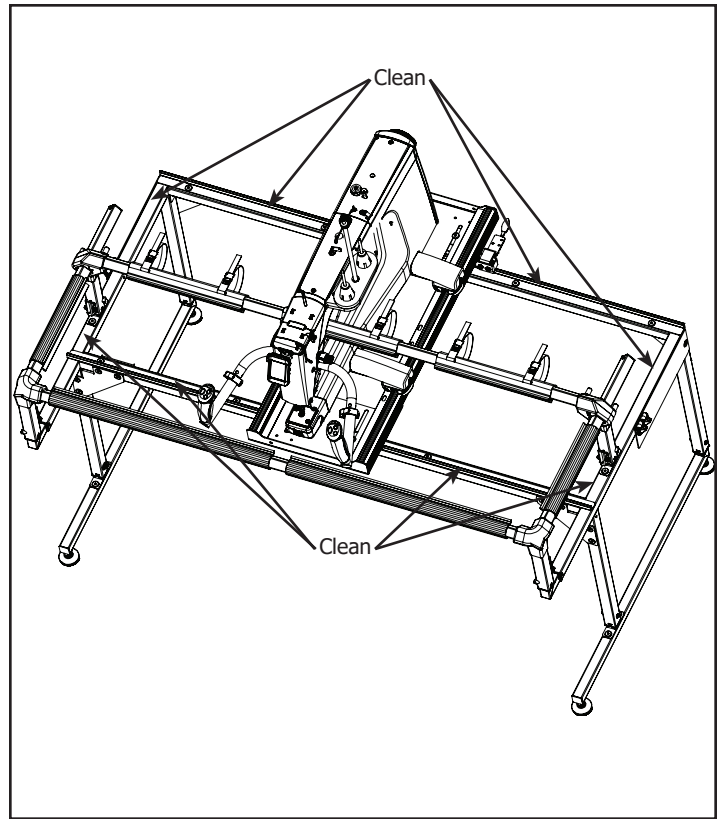
Table Accessory
Support (2)

Preparation | Q-Zone Hoop-Frame Table Accessory

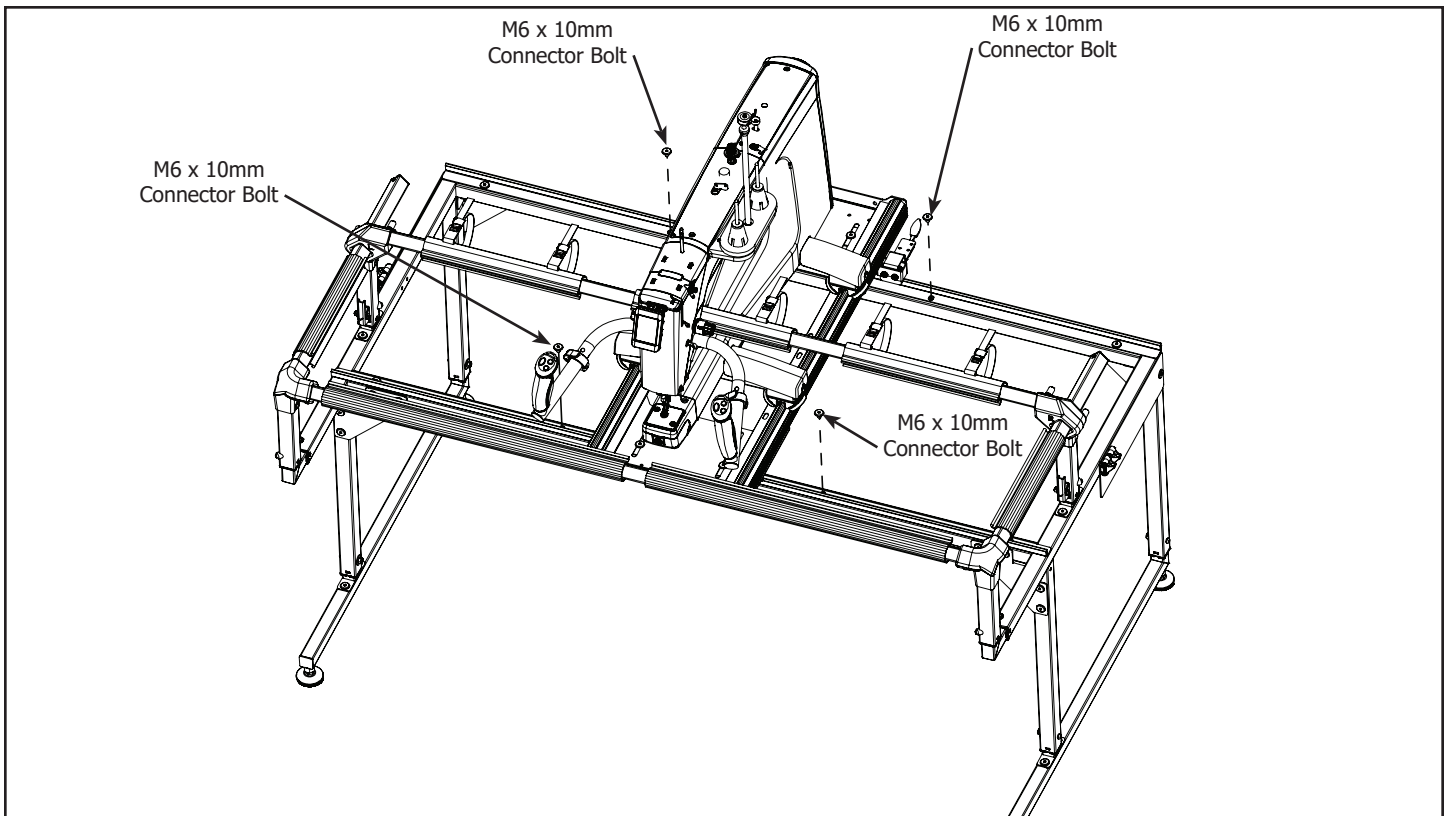
Step 1 - Preparation

Tools Needed:

4mm Allen Wrench



1-1 Clean the upper surfaces of the Track Support and Legs to rid them of any lint, dust, or oil.

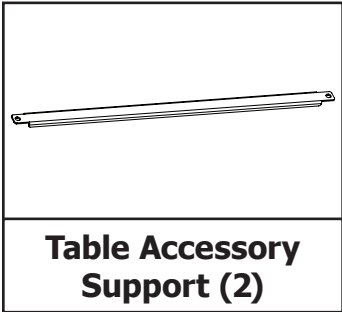


1-2 Remove the (4) center M6 x 10mm Connector Bolts from the track support and set aside.

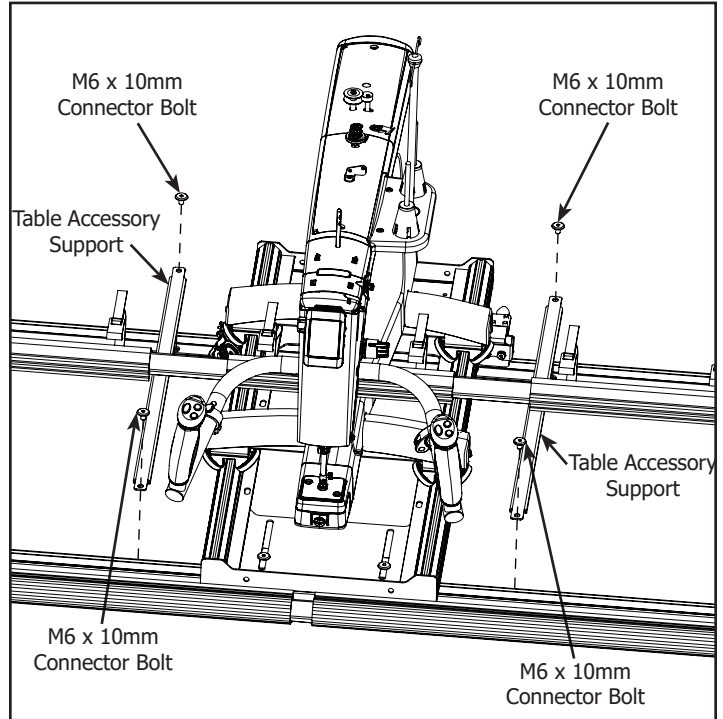
Assembly | Q-Zone Hoop-Frame Table Accessory

Step 2 - Table Accessory Support Installation

Parts Needed:

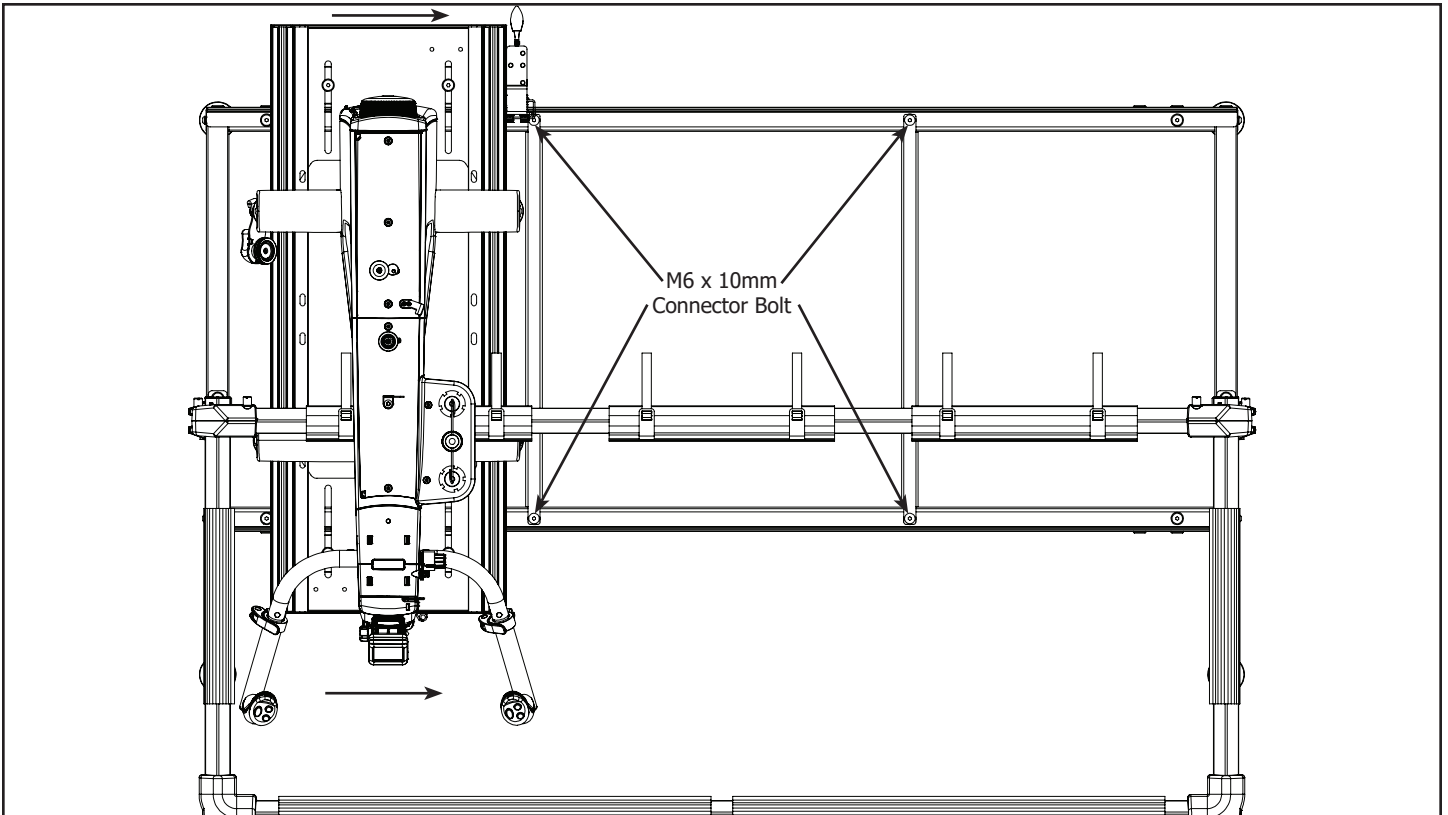


Tools Needed:
4mm Allen Wrench



2-1 Install the (2) Table Accessory Supports using the (4) M6 x 10mm Connector Bolts from Step 1-2.

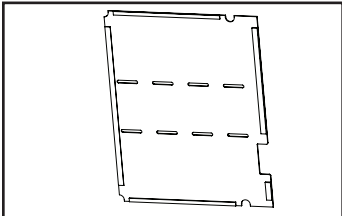
Note: Leave Bolts loose at this time.



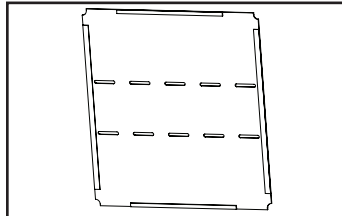
2-2 Slowly move the Carriage from one end of the Track Support to the other, tightening each of the (4) M6 x 10mm Connector Bolts as you go.

Step 3 - Plastic Table Surface Installation

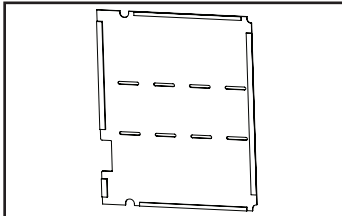
Parts Needed:



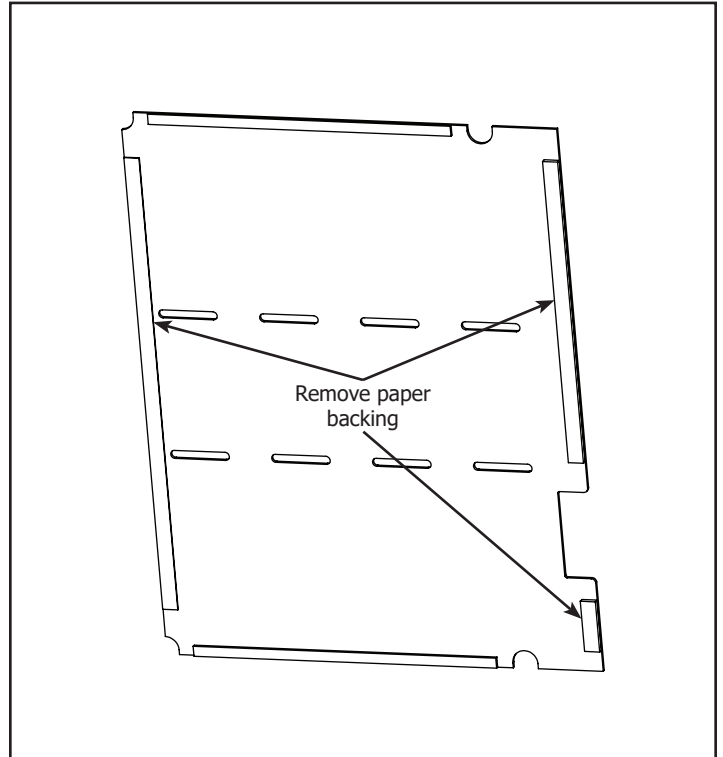
Plastic Table Surface Left Section (1)



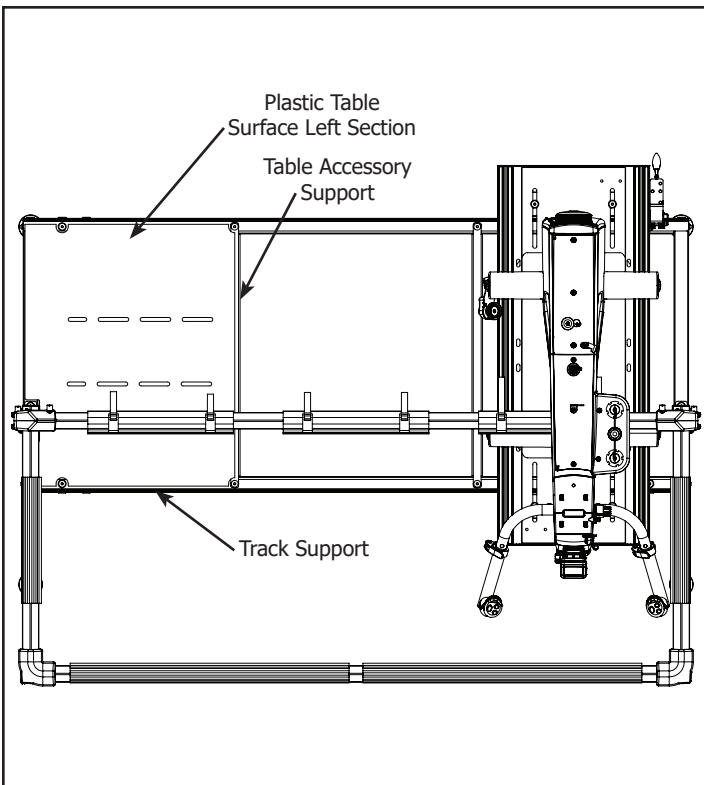
Plastic Table Surface Center Section (1)



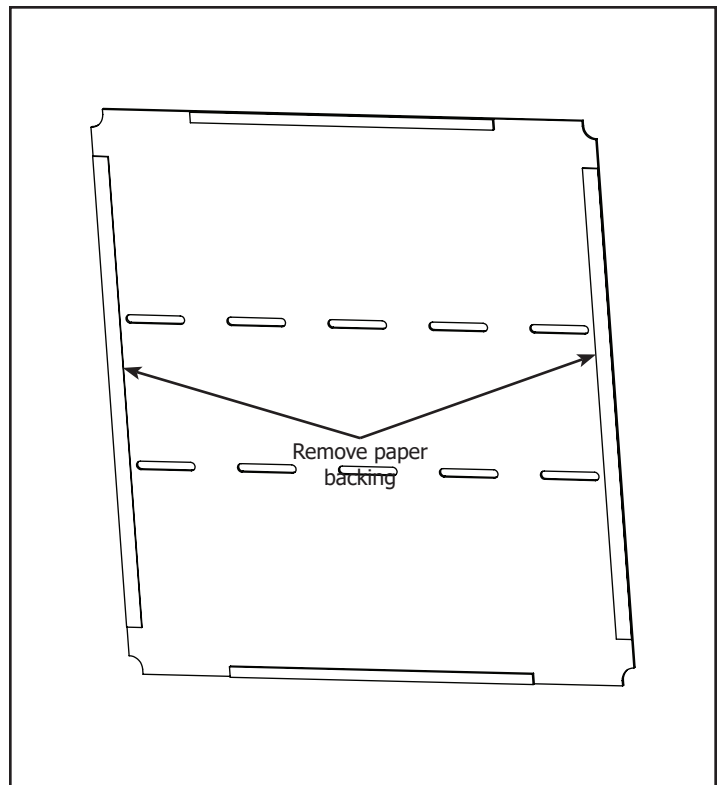
Plastic Table Surface Right Section (1)



3-1 Remove the paper backing from the double faced tape on the Plastic Table Surface Left Section.

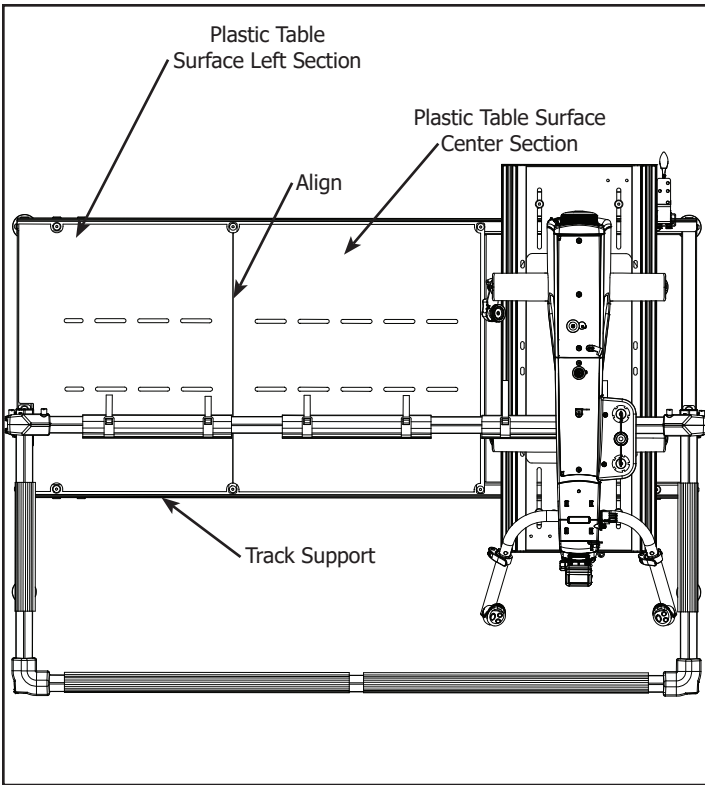


3-2 Align the Plastic Table Surface Left Section with the center of the Table Accessory Support making sure the edge of the Plastic Table Surface is parallel with the Track Supports.

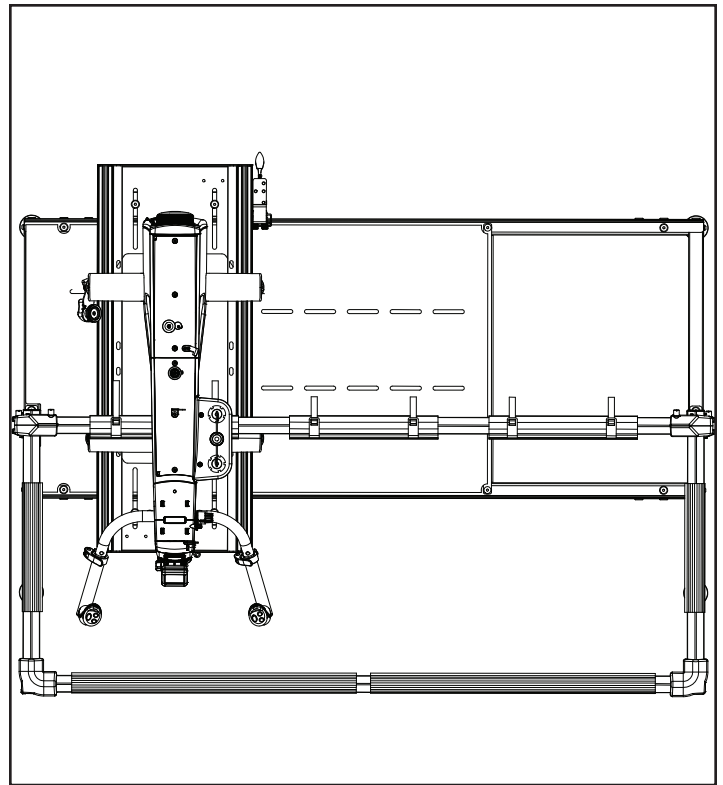


3-3 Remove the paper backing from the double faced tape on the Plastic Table Surface Center Section.

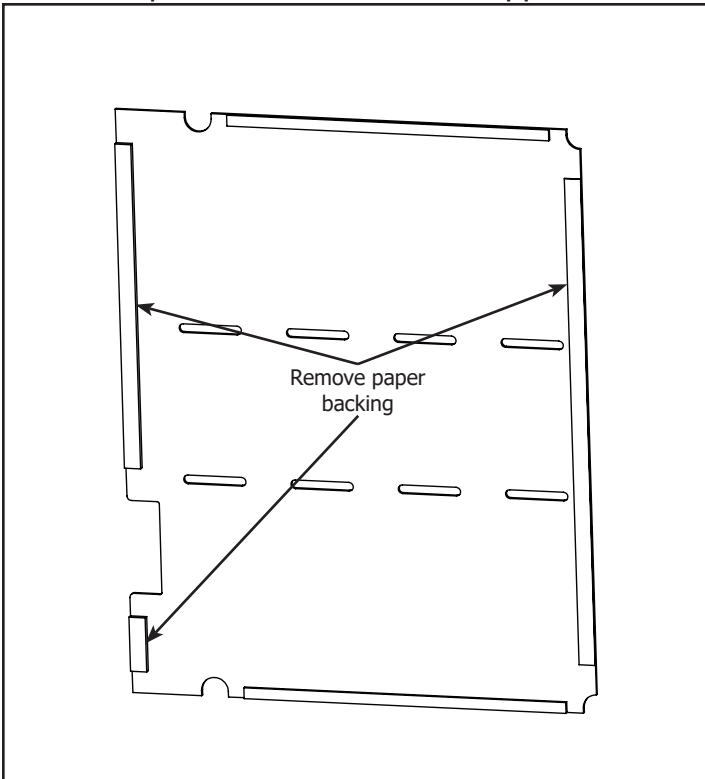
Assembly | Q-Zone Hoop-Frame Table Accessory



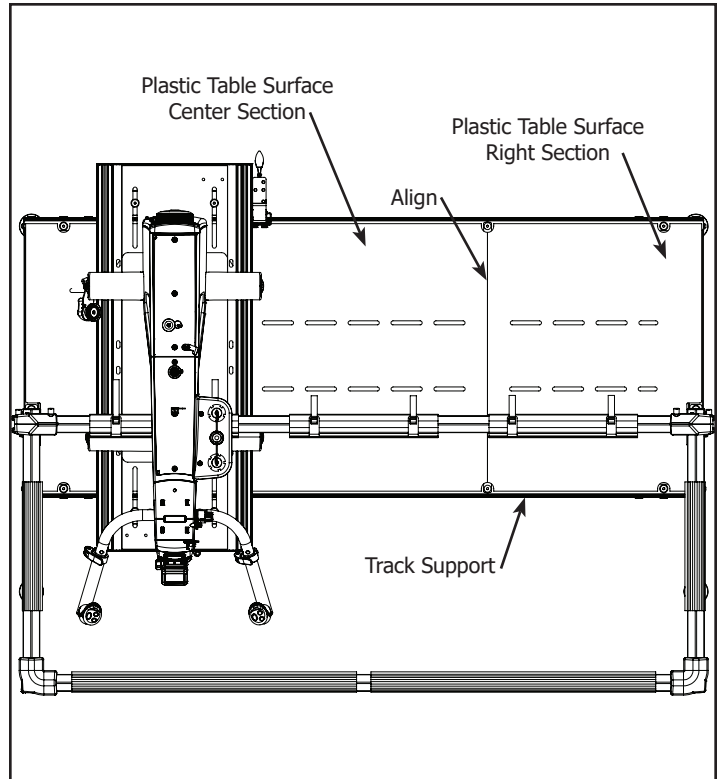
3-4 Position the Plastic Table Surface Center Section against the Plastic Table Surface Left Section making sure the edge of the Plastic Table Surface is parallel with the Track Supports.



3-5 Move the sewing machine and bottom carriage to the opposite side of the frame.

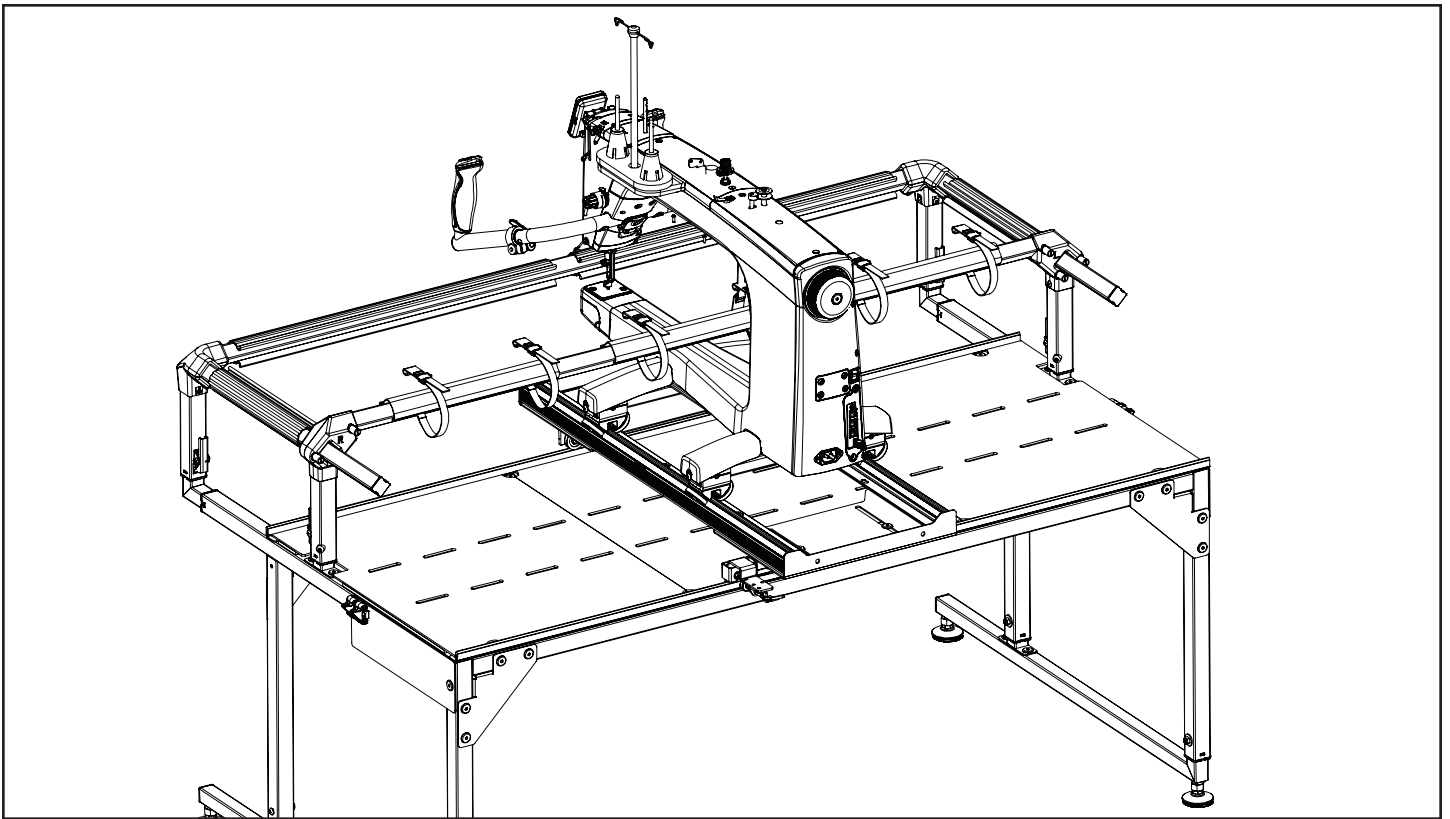


3-6 Remove the paper backing from the double faced tape on the Plastic Table Surface Right Section.



3-7 Position the Plastic Table Surface Right Section against the Plastic Table Surface Center Section making sure the edge of the Plastic Table Surface is parallel with the Track Supports.

Assembly | Q-Zone Hoop-Frame Table Accessory



3-8 Press down on all edges of the Plastic Table Surfaces to make sure the double faced tape is secure.

Grace
COMPANY

www.graceframe.com

1-800-264-0644