

**QUILT
PERFECT**
RULER FEET KIT

Q'nique15

Compatible with entire
Q'nique 15 series

INSTRUCTIONS

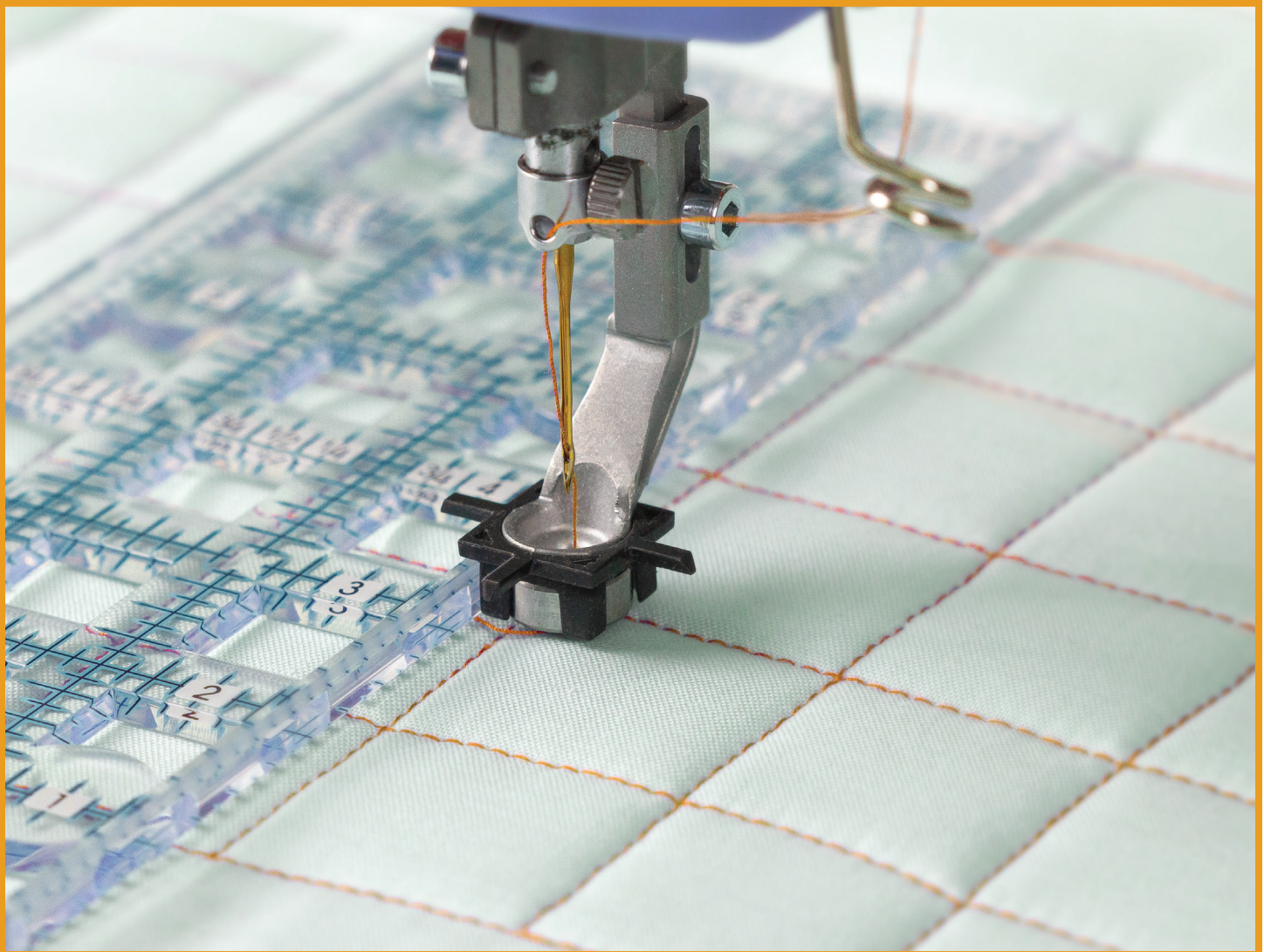
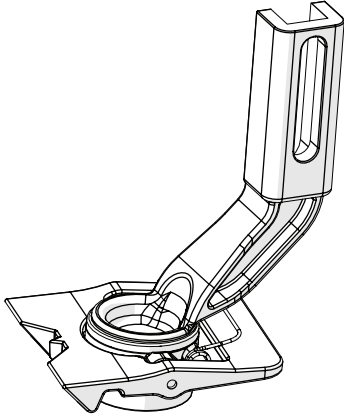


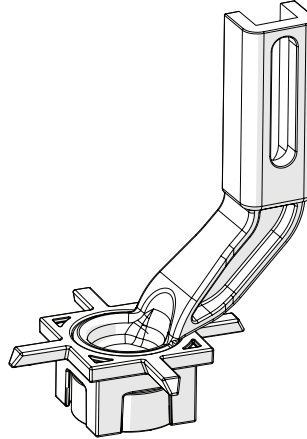
Table of Contents:

Parts List	4
Foot Installation Instructions	5
Usage Instructions	
Ruler	6
True Track Foot	6
Precision Foot	7
Roller Foot	7

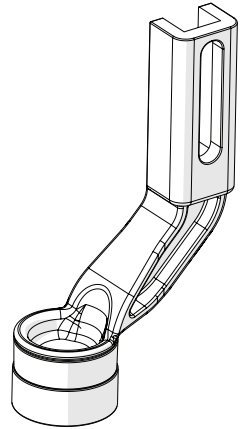
Parts Included:



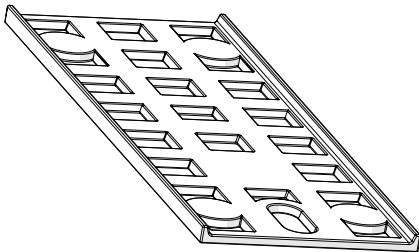
TrueTrack Foot
ACC-09-15257



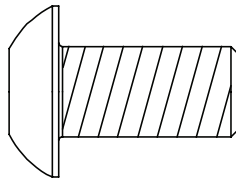
Precision Foot
ACC-09-15258



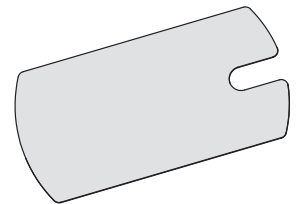
Rolling Foot
ACC-09-15255



Ruler 3x8 inch
ACC-05-15299



SBHCS
M3 x 8 mm (x2)
HDW-03-10966



Hopping Foot
Height Tool
SMP-04-12171

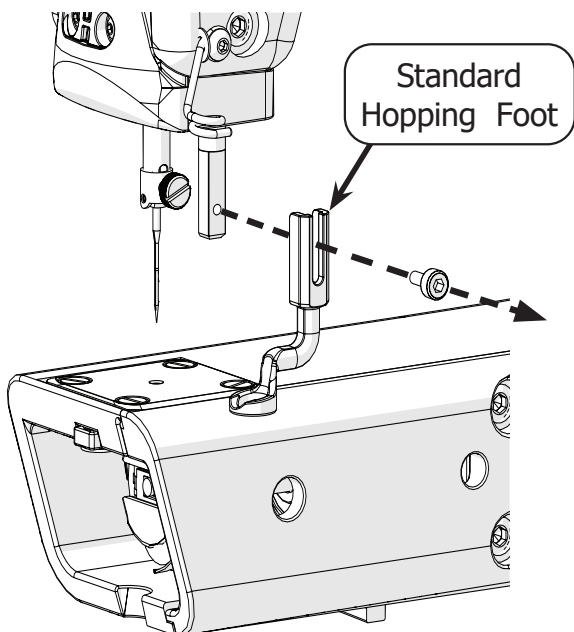
Tools Needed:

3 mm Allen Wrench (not included)

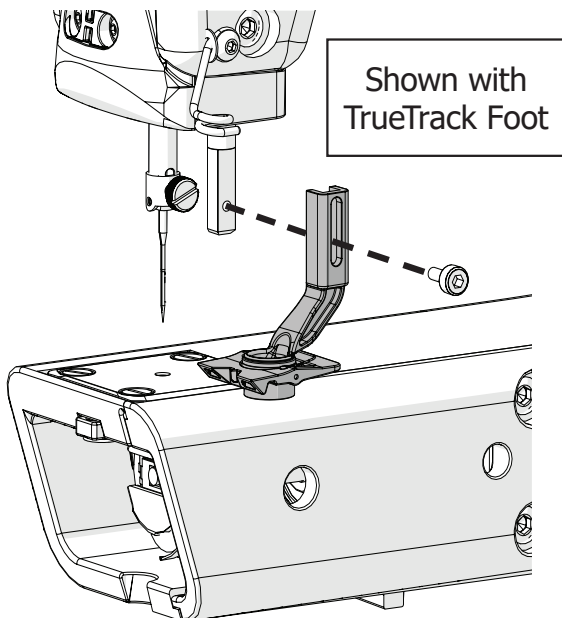
Foot Installation Instructions:

These instructions will go over how to remove the standard foot and how to install the new attachment feet. This process is the same for each of the three feet.

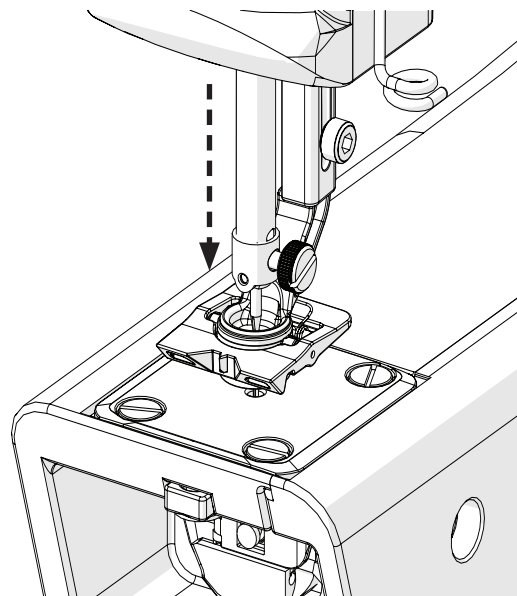
- 1 To remove the **Standard Hopping Foot**, use the 3 mm Allen wrench and take out the M3 x 8 mm SBHCS.



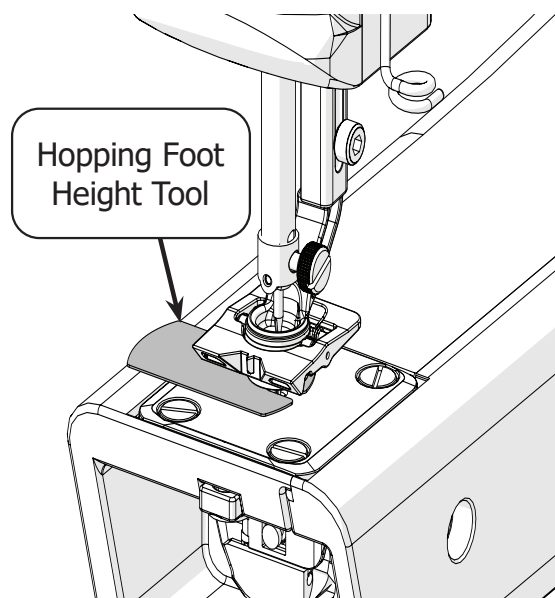
- 2 Select the hopping foot you want to install and use the 3 mm Allen wrench to loosely attach it to the machine with the M3 x 8 mm SBHCS.



- 3 Move the machine off of the fabric and turn the handwheel to lower the needle to the lowest position.



- 4 Slide the **Hopping Foot Height Tool** beneath the foot. Lower the foot until it rests on height tool. Tighten the M3 x 8 mm SBHCS with the 3 mm Allen wrench.



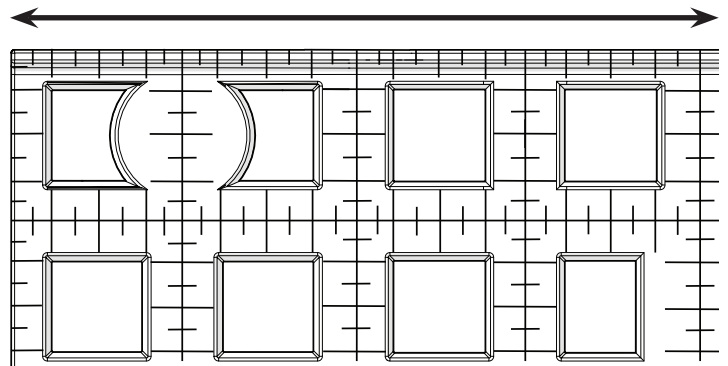
Usage Instructions:

These instructions will go over how to use each accessory foot with the included ruler.

Ruler:

The ruler's straight edge and markings will assist you in stitching straight lines as well as measuring the length of your stitches.

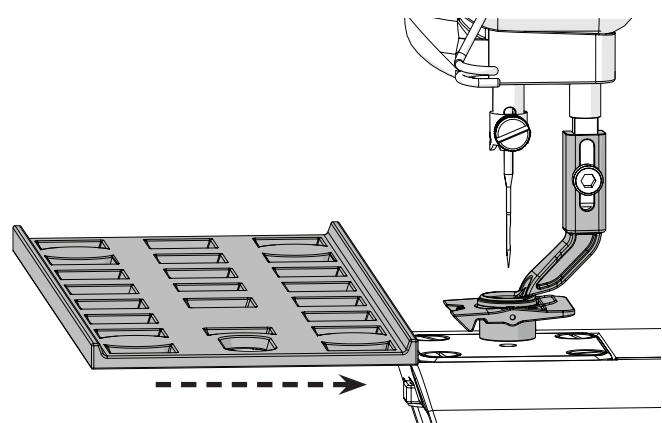
Note: For best results, pair with the accessory ruler base for your machine.



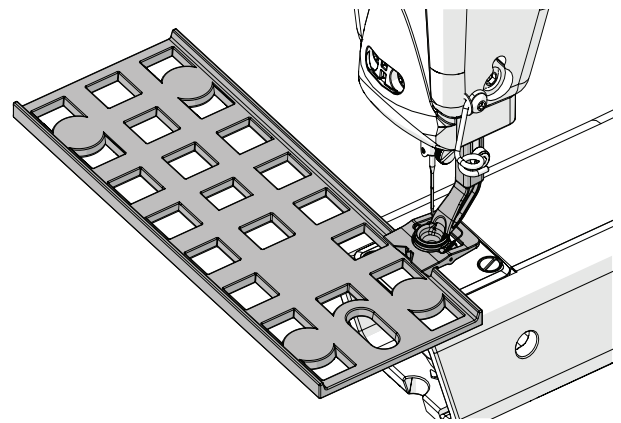
TrueTrack Foot:

Use this foot to keep the ruler close to the foot for consistent measuring.

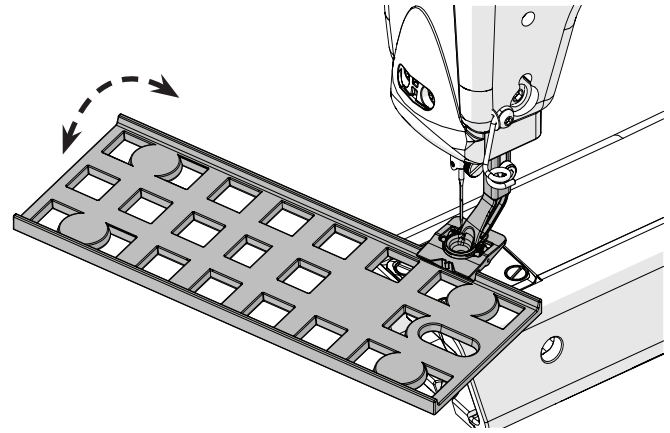
- 1 Put the lip side of the ruler in front of the hopping foot. Press together until the ruler clips into place. The clip will keep the ruler attached.



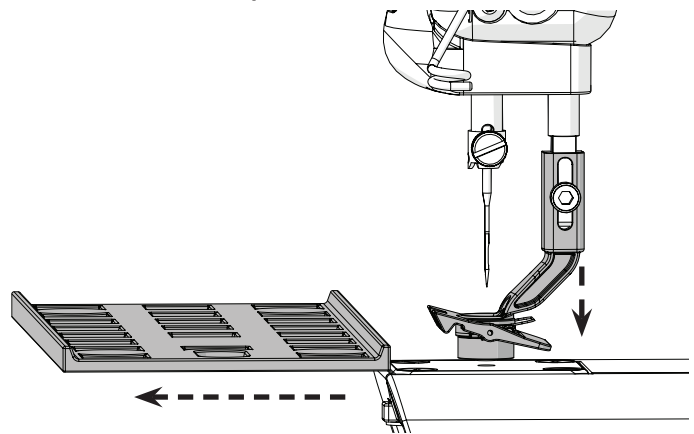
- 2 Use the ruler's edge and markings to stitch straight lines and to measure stitch length.



- 3 The foot's swivel system allows you to turn the ruler to measure stitches in any direction.

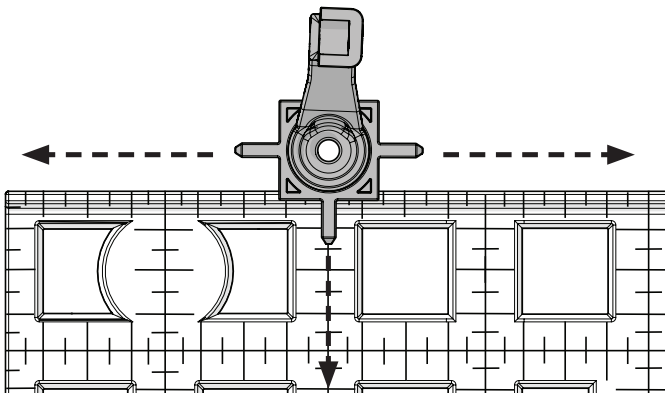


- 4 To release the ruler, press down on the back of the clip behind the foot and pull the ruler away from the foot.

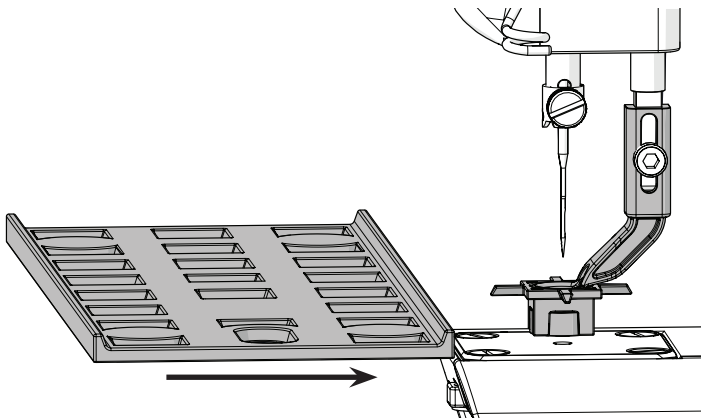


Precision Foot:

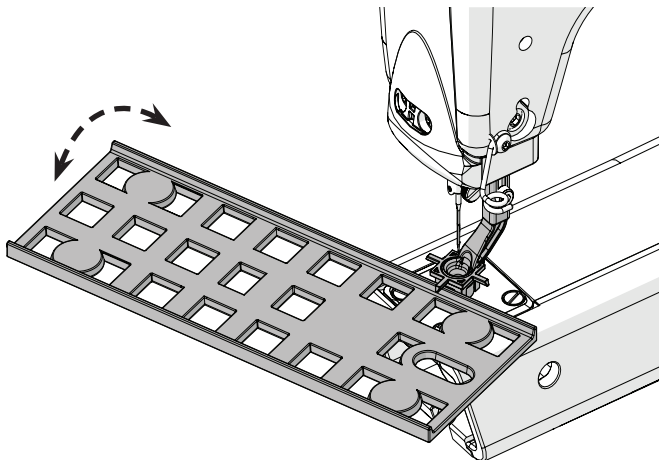
Use the Precision Foot's pointers to align your stitches with the markings on the ruler.



- 1 Press the lip side of the ruler to the front of the hopping foot. The ruler should align with the pointers on the hopping foot at right angles.



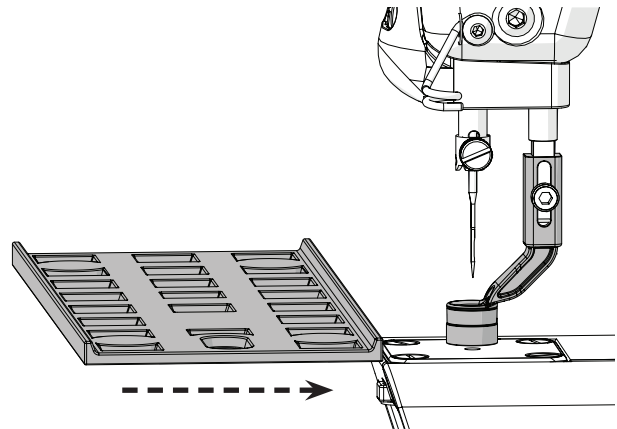
- 2 Hold the ruler against the foot to stitch straight lines and to measure stitch length. The swivel system allows you to turn the ruler to measure stitches in any direction.



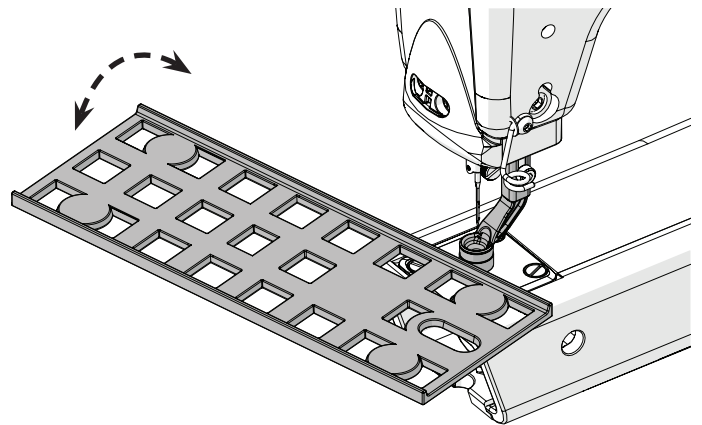
Rolling Foot:

Use this foot to easily glide the ruler's edge alongside the foot.

- 1 Press the lip side of the ruler to the front of the hopping foot.



- 2 Hold the ruler against the foot to stitch straight lines and to measure stitch length. The swivel system allows you to slide the ruler along the foot and measure stitches in any direction.



The Grace Company
Phone: 1-800-264-0644
www.graceframes.com

