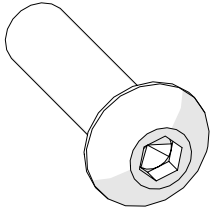
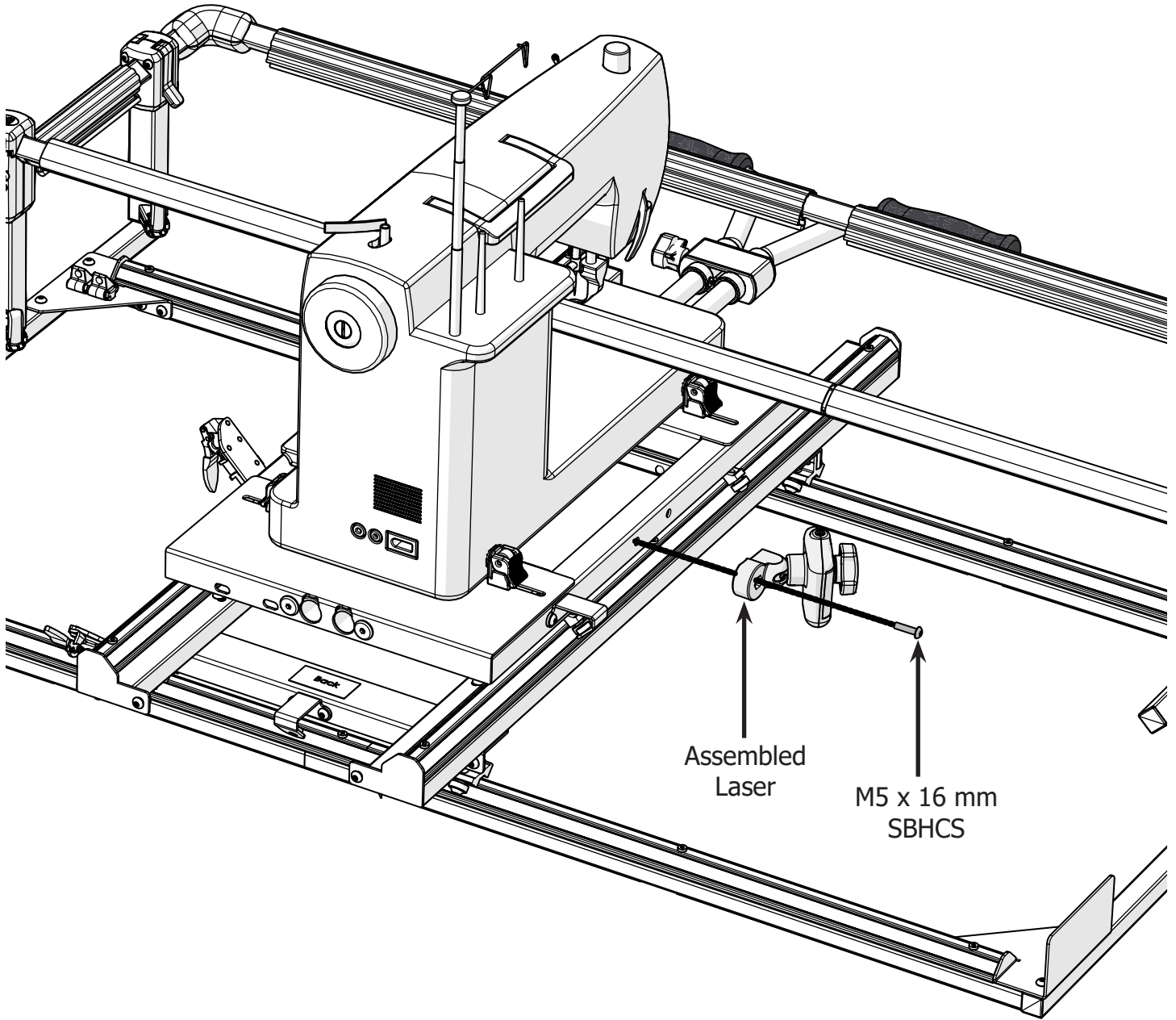


Gracie Laser Addendum

Additional Parts & Tools



SBHCS M5 x 16 mm



To attach the laser to the Cutie Frame, first assemble the laser. Attach the assembled laser to the side of the frame top plate with an M5 x 16 mm SBHCS and a 3 mm Allen wrench.