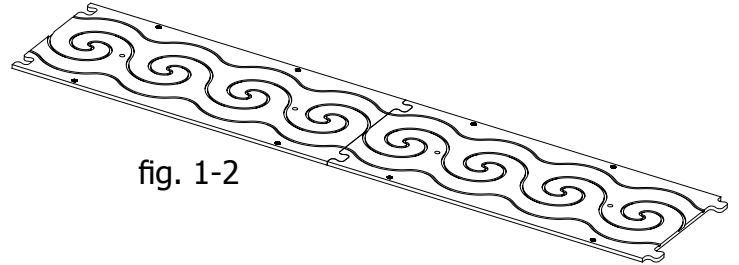
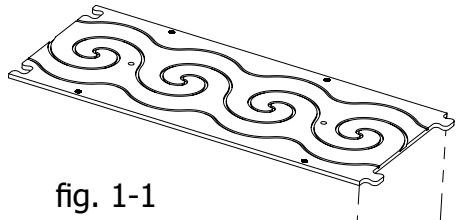
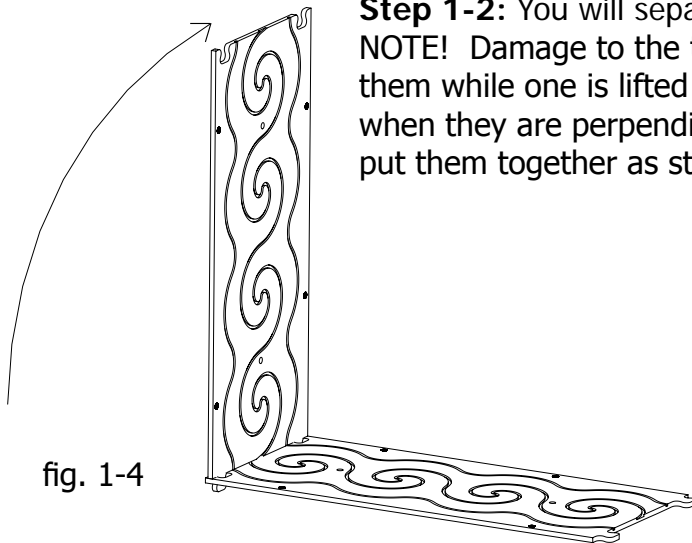


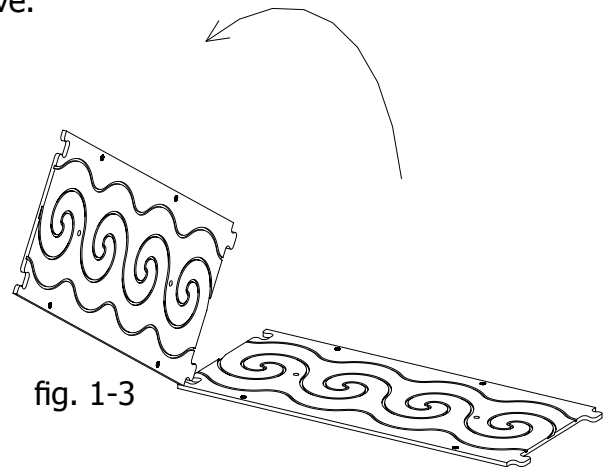
# Additional Plastic Pattern Perfect



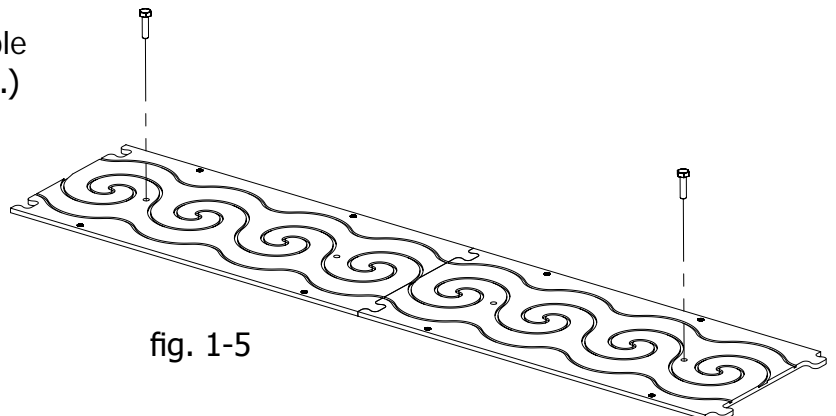
**Step 1-1:** Attach the pattern template as you would a two puzzle pieces. Simply place one template above the other and slip the tabs into each other. (See fig. 1-1)



**Step 1-2:** You will separate the templates in exactly the same manner. **NOTE!** Damage to the templates could result from attempting to separate them while one is lifted at an angle (fig. 1-3). You can pull them apart when they are perpendicular (fig. 1-4), or, preferably the same way you put them together as stated above.



**Step 1-3:** Fasten the templates to the table using your existing hex bolts. (See fig. 1-5.)



**Note:** See reverse side for instructions on how to mount your stylus attachment kit (if you purchased this separately).

# Stylus Attachment

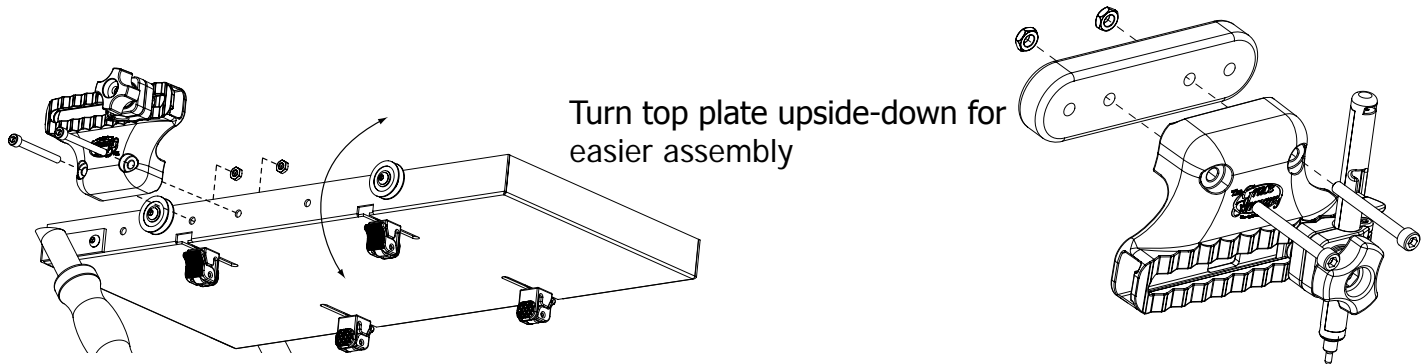
## Step 1A: Pattern Perfect Stylus Bracket Assembly (Metal carriage)

Parts Needed: 1-Stylus Bracket  
2-M6 x 55 Socket Head Cap Screw  
2-M6 Hex Nut

**1A-1** Remove your machine from the top carriage allowing you to more easily install the stylus bracket.

**1A-2** Take your top carriage off the frame and turn it upside down. Place two M6 x 55 Cap Screws through each hole in the Stylus Bracket and the top carriage plate. (The Stylus Bracket can be attached on either the left or right side of the carriage.)

**1A-3** Next completely tighten the M6 Hex Nuts onto the ends of each bolt.



## Step 1B: Pattern Perfect Stylus Bracket Assembly (Wood carriage)

Parts Needed, in addition to those listed in step 2A:

1-Stylus Adaptor  
1-Stylus Adaptor Disk  
2-1/4" x 45 Connector bolt  
2-1/4" Jam Nut

**1B-1** first secure the stylus adaptor to the stylus bracket, using 2- M6 X 55mm socket head cap screws, and 2- M6 hex nuts.

**1B-2** Remove the connector bolt closest to the middle from the handle that is on the side of the carriage that you will be mounting the stylus bracket.

**1B-3** Now secure the stylus adaptor to the top plate by inserting both 45mm connector bolts through the outer holes in the stylus adaptor.

**1B-4** Next place the stylus adaptor disk onto the bolt that will be furthest from the carriage handles.

**1B-5** Insert the bolts through the holes in the top plate, and secure into place using the provided 1/4" jam nuts.

