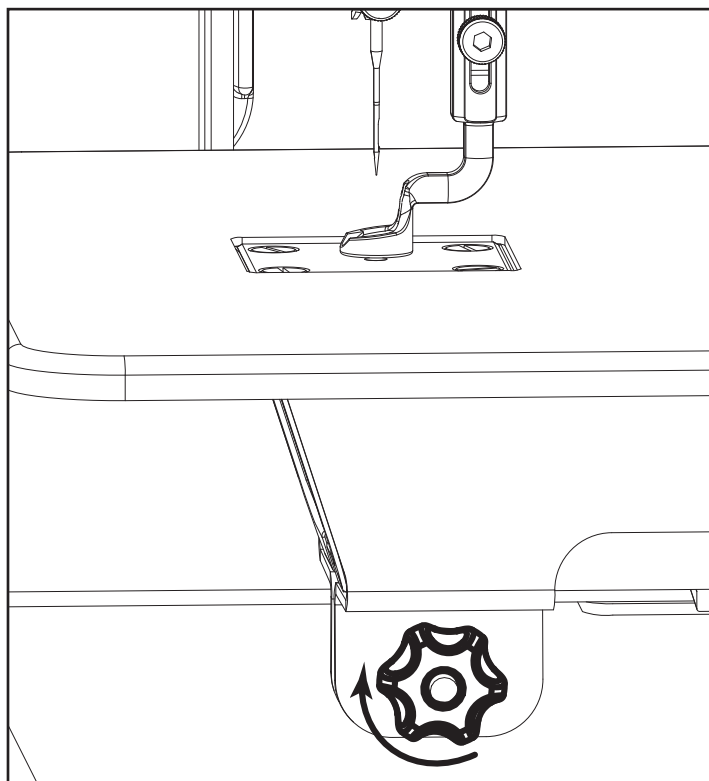
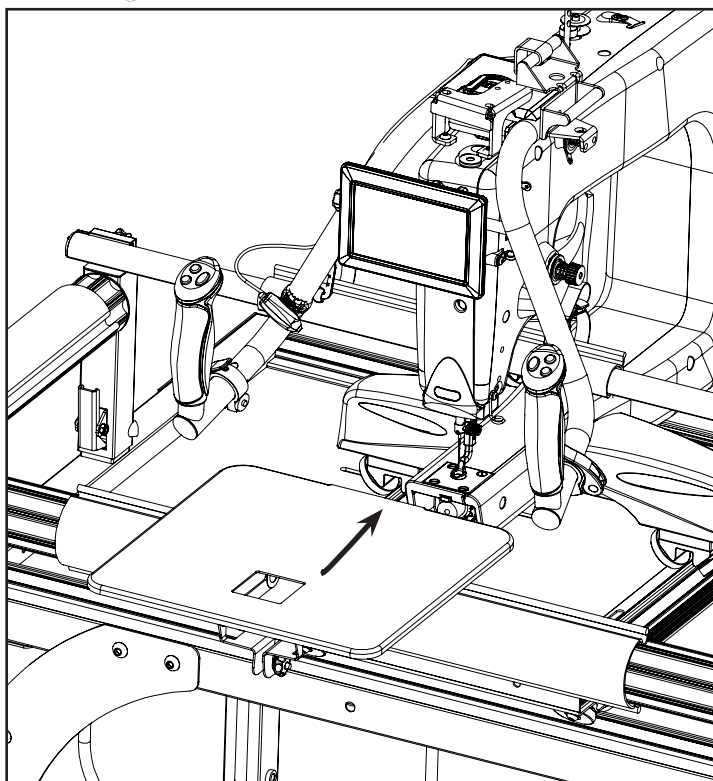
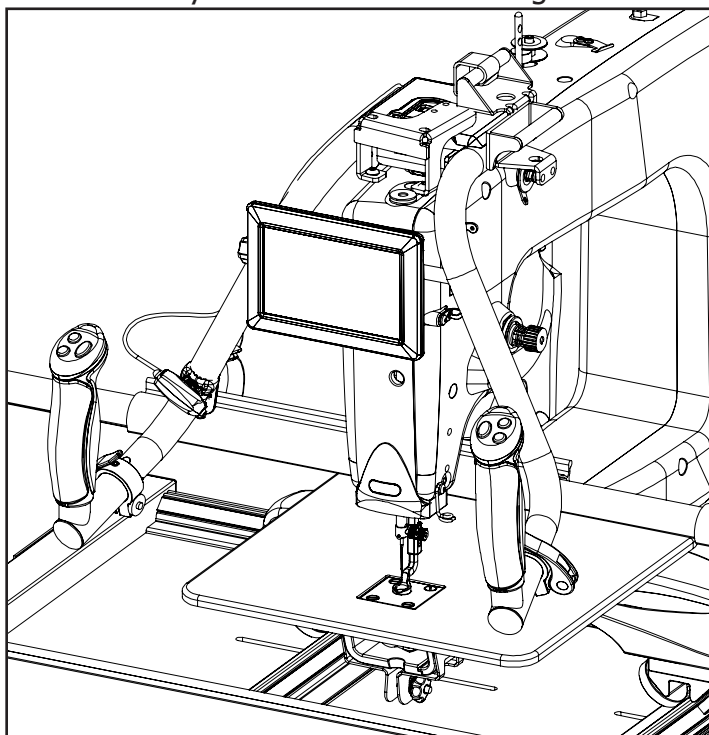
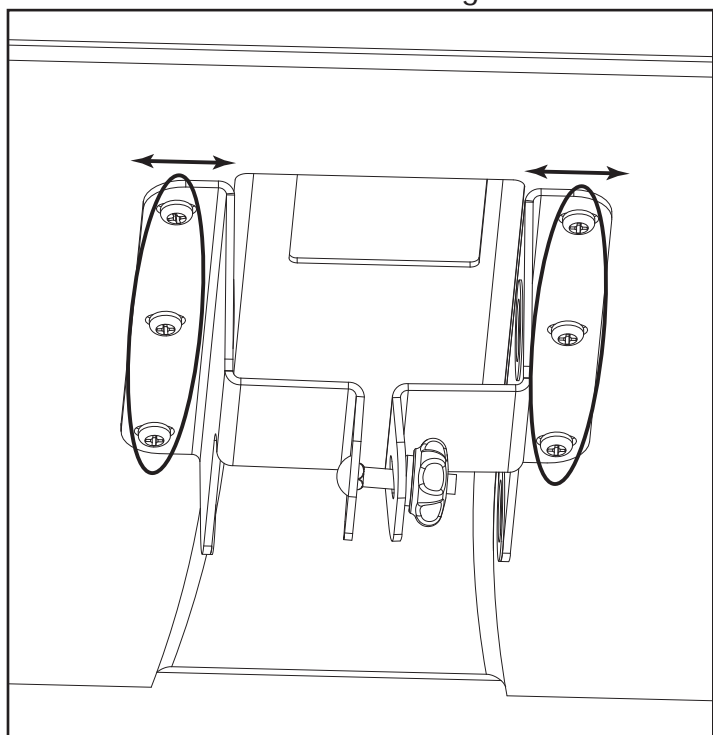


Ruler Base Installation



- Make sure the needle and hopping foot of the sewing machine are in the fully raised position.
- Loosen the knob from the ruler base, then slide it onto the front of the sewing machine.
- Press the ruler base onto the sewing machine until it has fully seated.
- Put the knob back on the ruler base and tighten until firmly mounted on the sewing machine.



- If it is difficult to get the ruler base onto the sewing machine, slightly loosen the screws on the bottom of the ruler base, slide the metal supports apart, then tighten the screws. Make sure that the screws are not over tightened or it may damage the ruler base.
- Note: Do not over tighten ruler base, over tightening will cause ruler base to bend. Only tighten until ruler base feels secure.