

Pattern Perfect Installation for All Dual Wheel Carriages

Step 1: Set up your Pattern Perfect Bracket as shown in Fig. 1.1.

Step 2: Gently tip your sewing machine onto its side.

Step 3: Place the Pattern Perfect Bracket between the Dual Wheels as shown in Fig. 1.2.

Step 4: Insert the screws through the holes on the Pattern Perfect Bracket and screw into the bottom of the wheel blocks on your sewing machine.

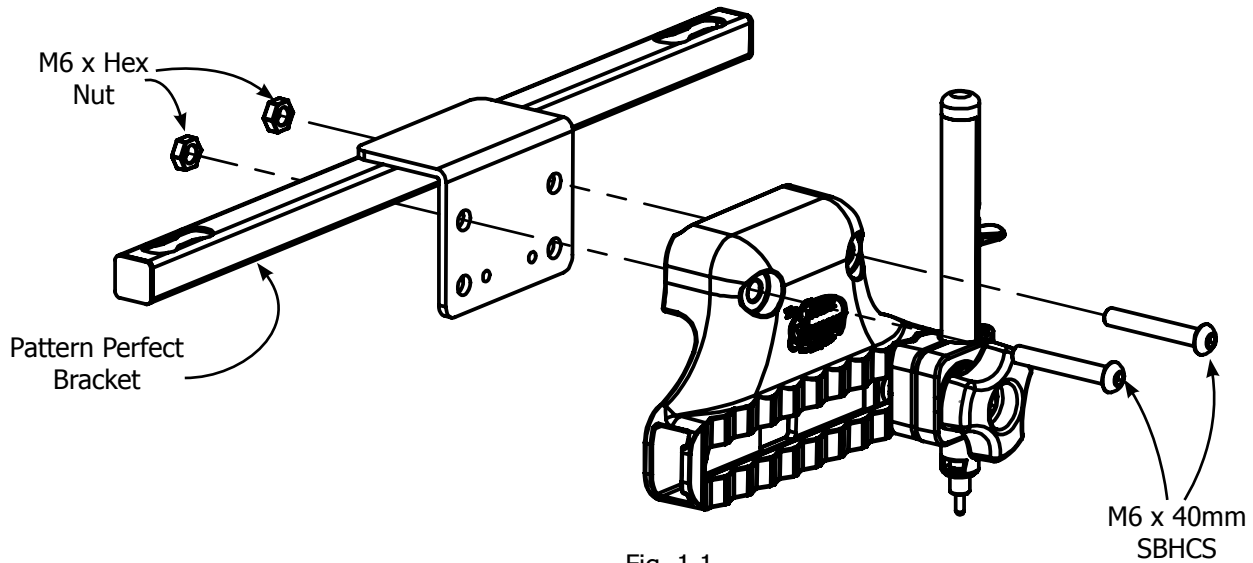


Fig. 1.1

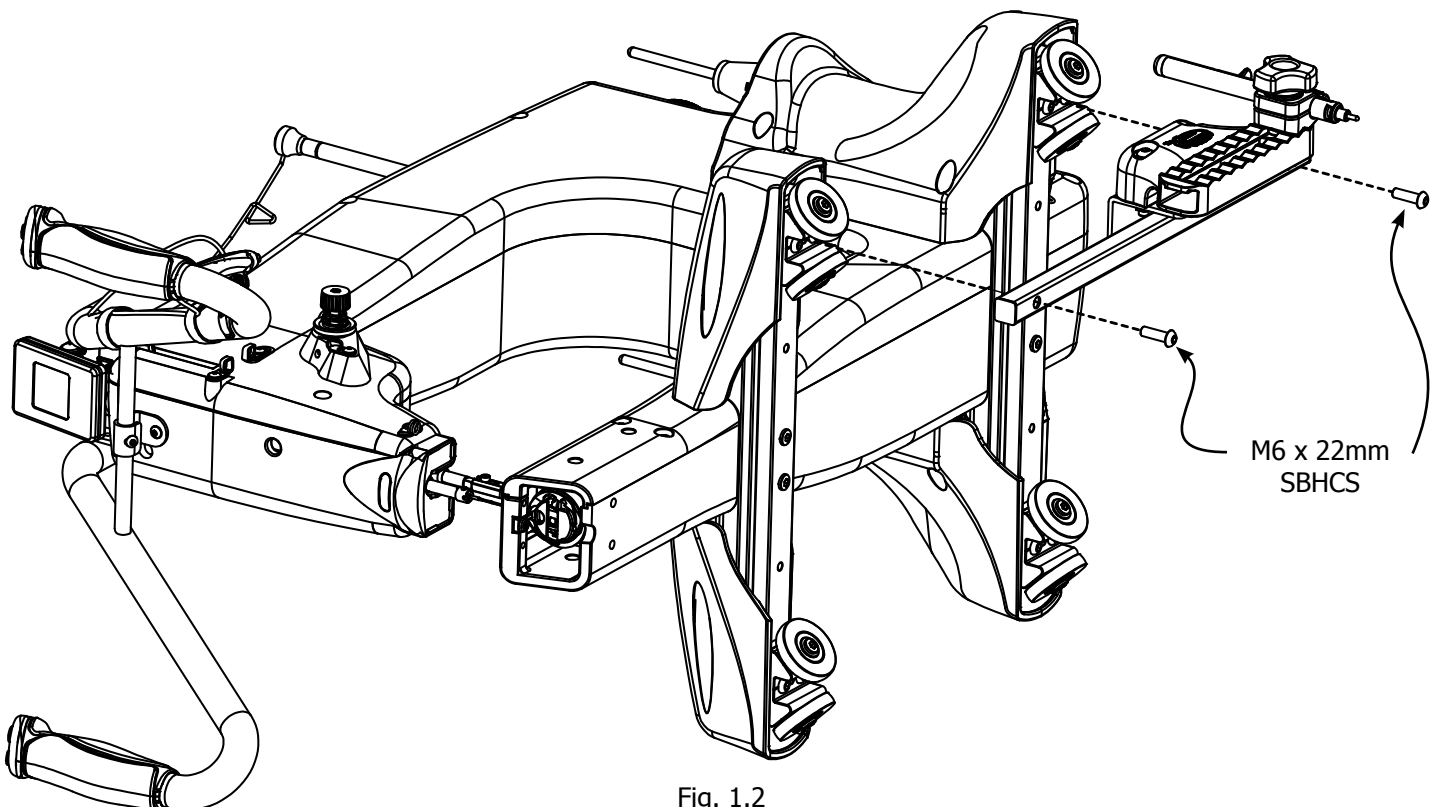
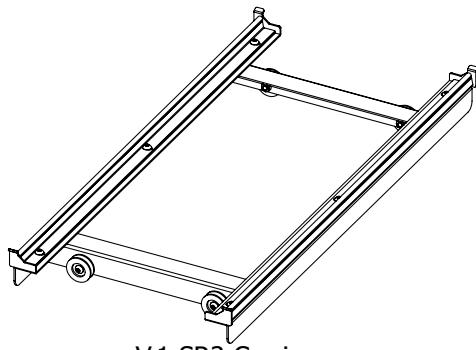


Fig. 1.2

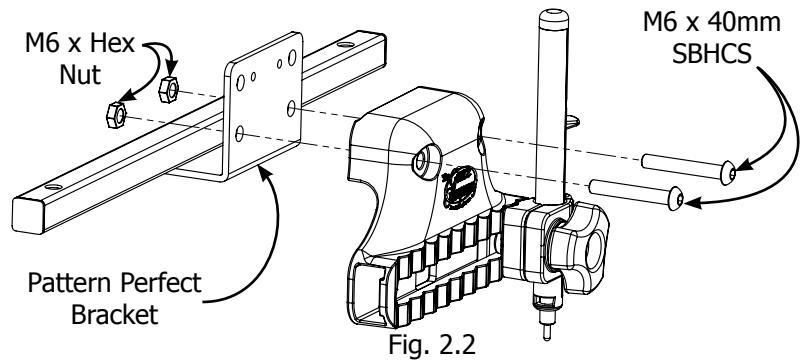
Pattern Perfect Installation for V.1 SR2 Carriages

Step 1: Check that your carriage matches the one shown in Fig. 2.1.

Step 2: Set up your Pattern Perfect Bracket as shown in Fig. 2.2.



V.1 SR2 Carriage
Fig. 2.1



Pattern Perfect
Bracket
Fig. 2.2

Step 2: Gently tip your sewing machine onto its side.

Step 3: Place the Pattern Perfect Bracket on the wheel blocks, against the Heads of the Screws, and with the center hole on each wheel block aligned to be center with the slot on the Pattern Perfect Bracket as shown in Fig. 2.3.

Step 4: Insert the screws through the holes on the Pattern Perfect Bracket and screw into the bottom of the wheel blocks on your sewing machine.

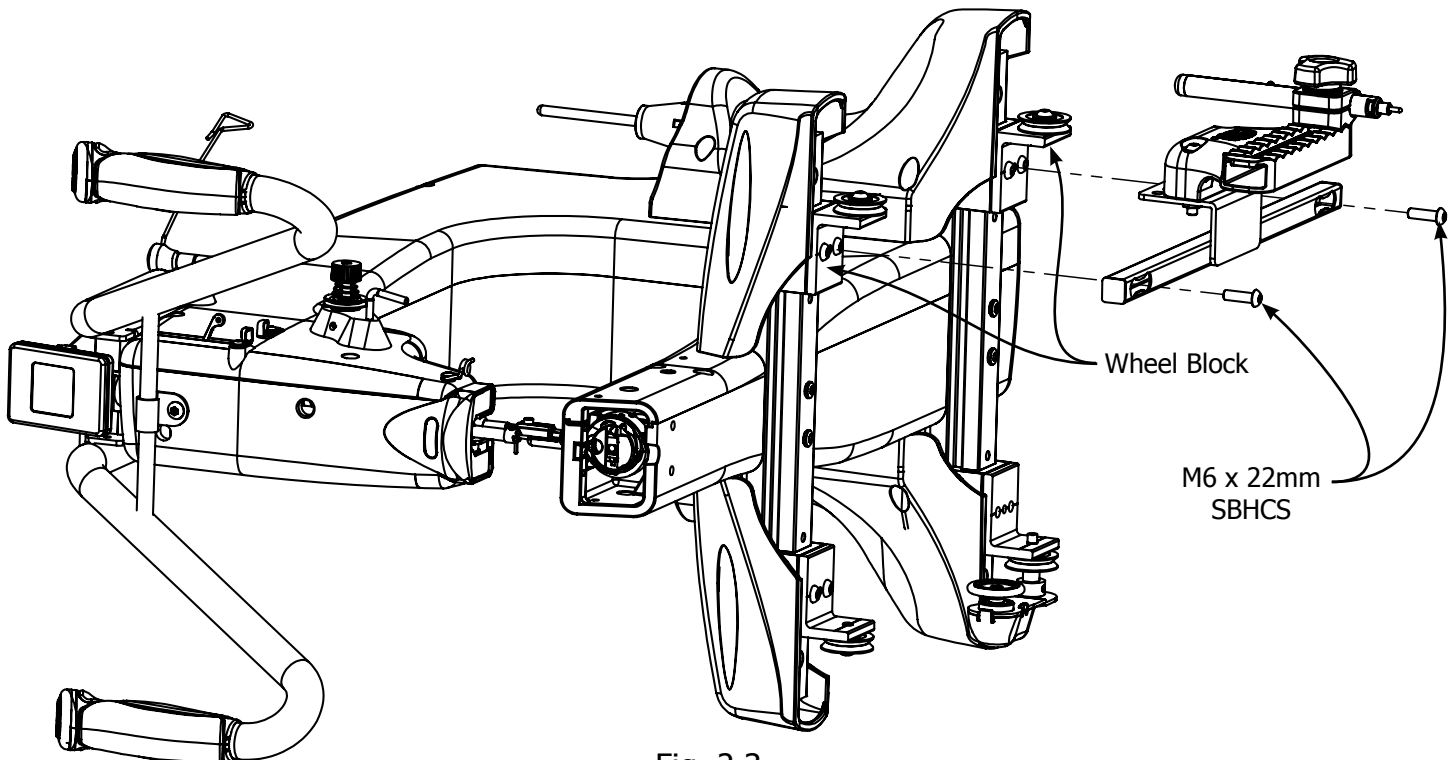


Fig. 2.3

Pattern Perfect Installation for Pro Carriages

Step 1: Check that your carriage matches the one shown in Fig. 3.1.

Step 2: Set up your Pattern Perfect Bracket as shown in Fig. 3.2.

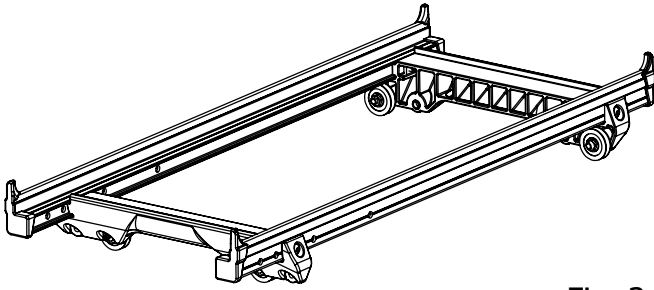


Fig. 3.1

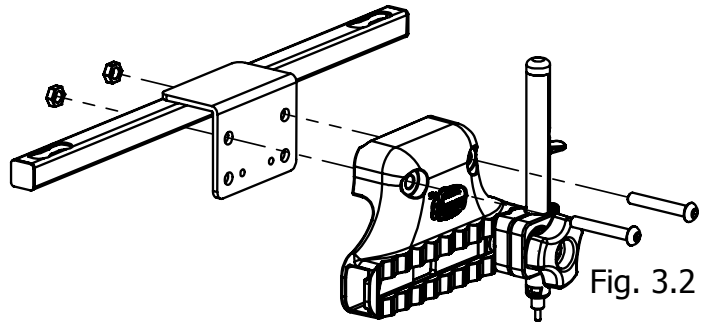


Fig. 3.2

Step 3: Gently tip your sewing machine onto its side. Using a 4mm Allen Wrench, unfasten the 2 screws that attach the vertical wheel brackets to one side of your sewing machine as shown in Fig. 3.3.

Step 4: Re-attach each vertical wheel bracket so that the wheel on each faces towards the other wheels on the machine using the same screws that were previously removed as shown in Fig. 3.4.

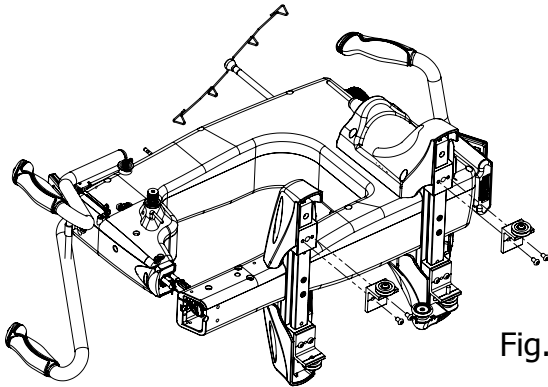


Fig. 3.3

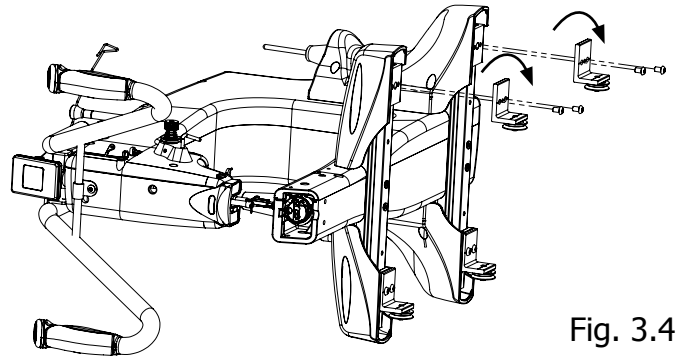


Fig. 3.4

Step 5: Loosen the set screws on the Wheel Blocks using a 3mm Allen Wrench. Then re-position the outside face of the wheels to be 11 in (~28mm) apart as shown in Fig. 3.5. Finally, tighten the set screws back in place.

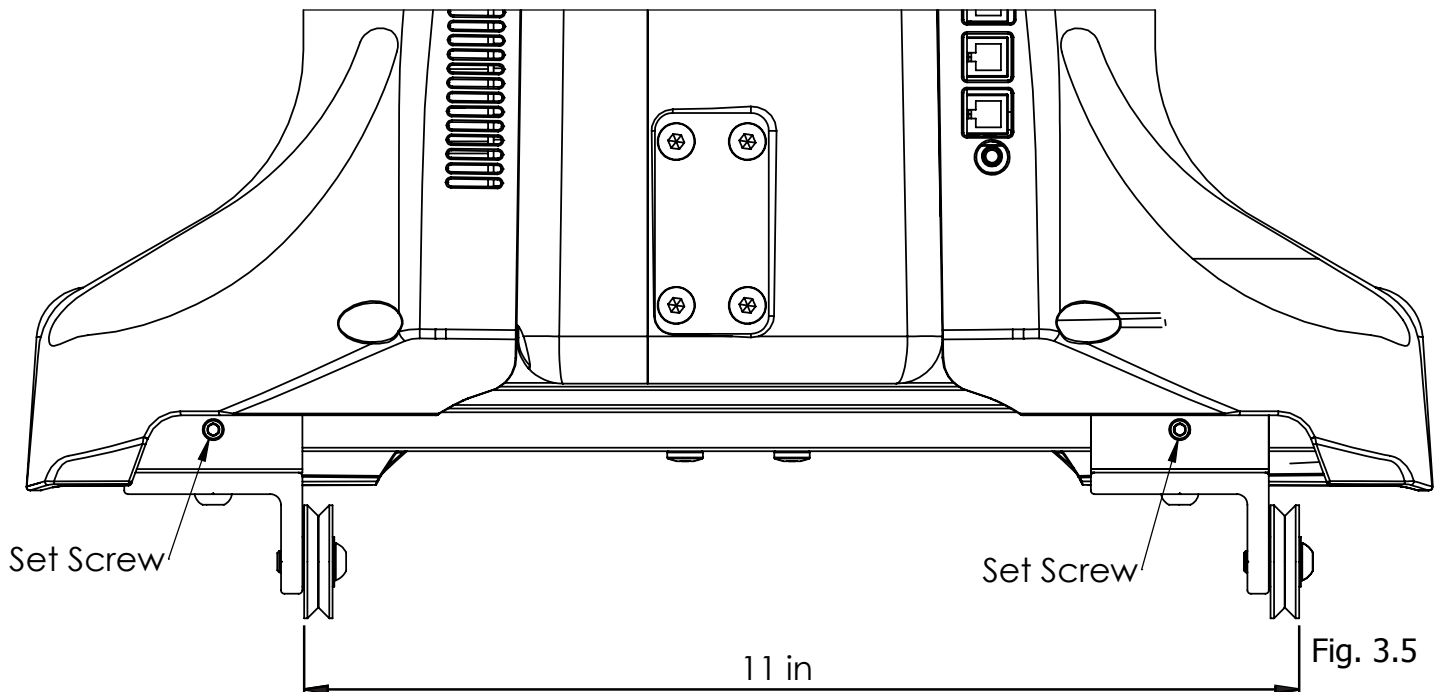


Fig. 3.5

Step 6: Place the Pattern Perfect Bracket on the wheel blocks with the center hole on each wheel block aligned to be center with the hole on the Pattern Perfect Bracket as shown in Fig. 3.6. Insert the screws through the holes on the Pattern Perfect Bracket and screw into the bottom of the wheel blocks on your sewing machine. Leave the screws loose, they will be tightened in a later step.

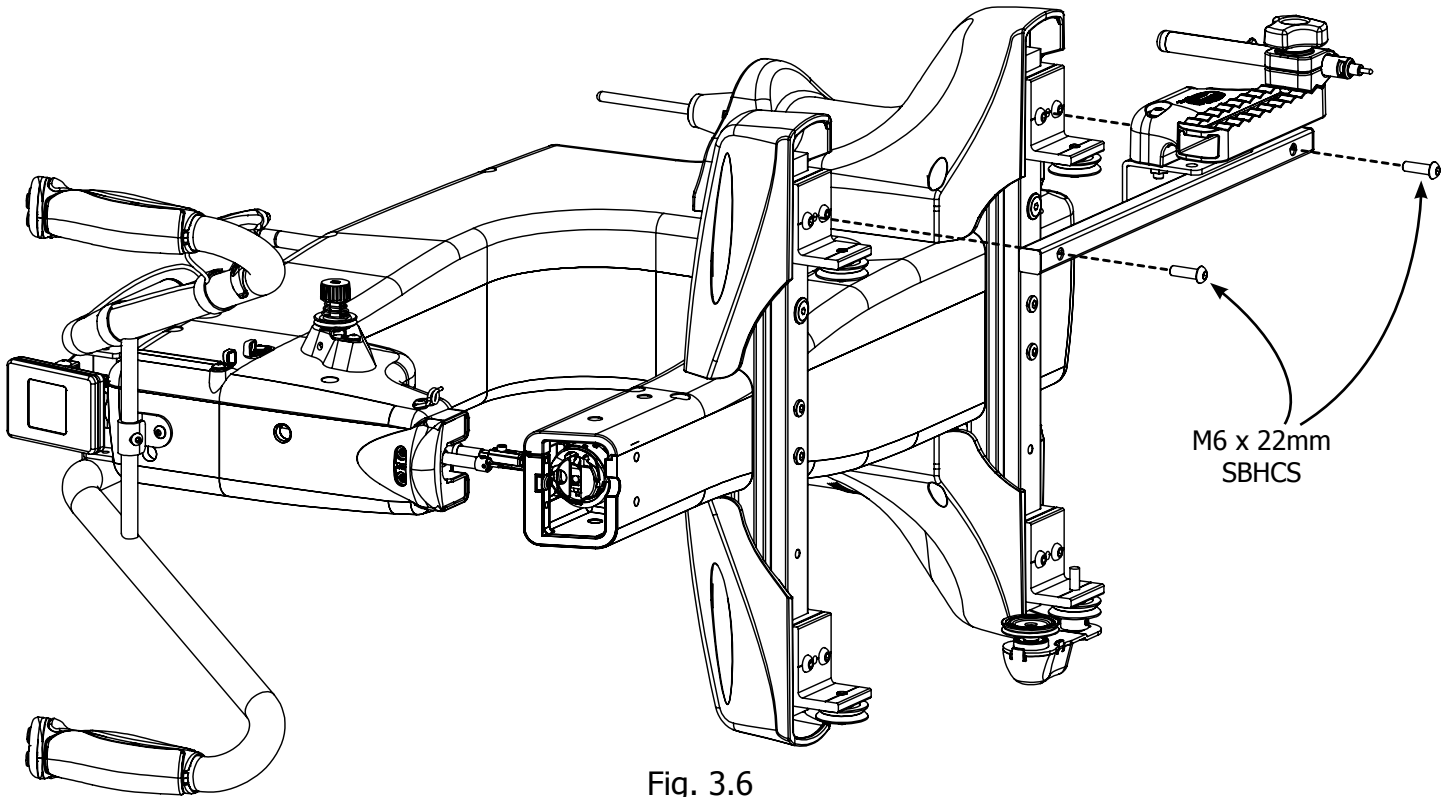


Fig. 3.6

Step 7: Have a friend help you set your machine onto your carriage. The encoder will be springing down so make sure one of you holds it up and towards the front wheels. Align the wheels and encoder onto the center of each track.

Step 8: Loosen the set screws on the wheel blocks using a 3mm Allen Wrench. Roll the machine back and forth to reposition itself on the track. When the wheels all turn freely without coming off of the track, tighten the set screws again. Then tighten the screws holding the Pattern Perfect Bracket to the wheel blocks. You are now ready to sew.