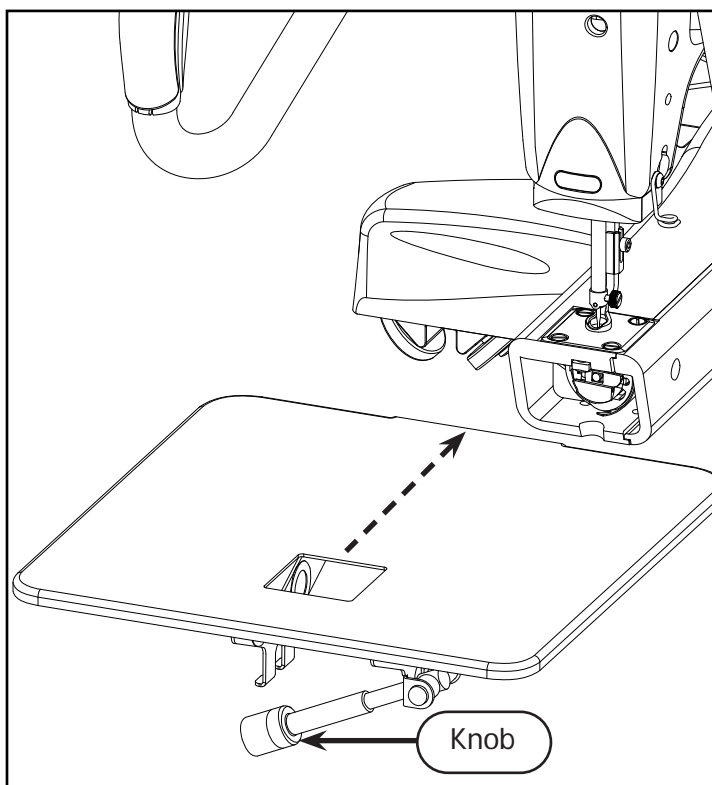
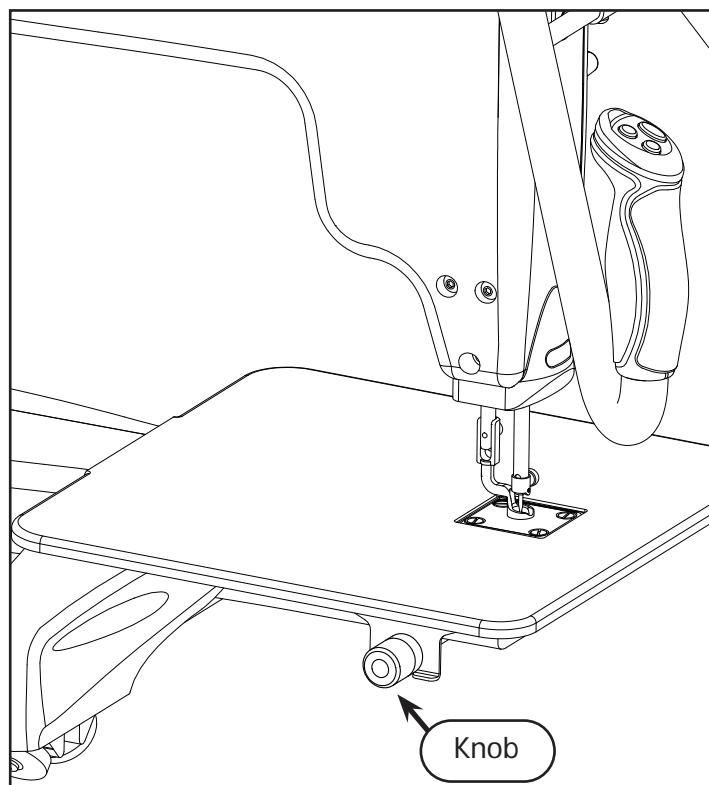


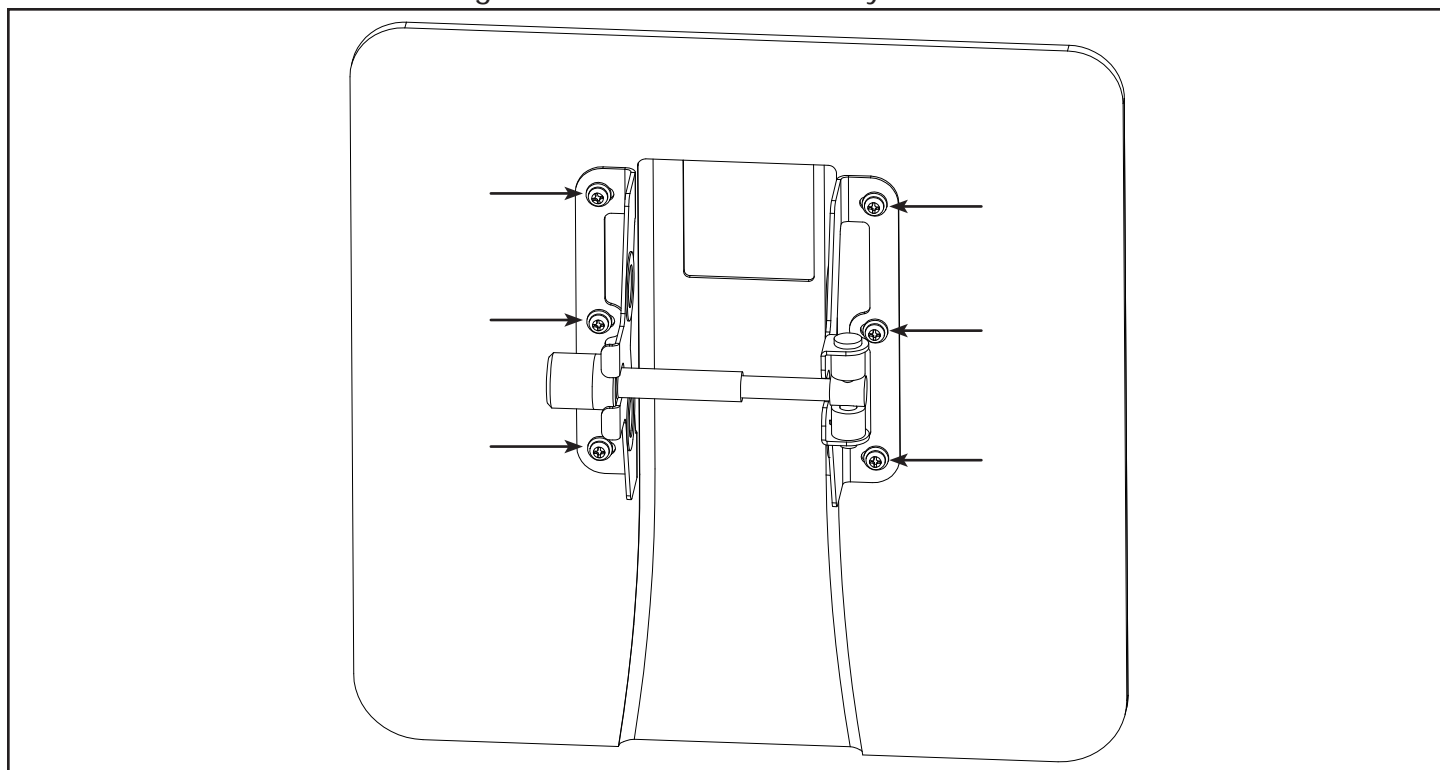
Ruler Base Installation



1. Raise the needle and hopping foot to the highest position.
2. Loosen the ruler base knob to open the arm, then slide it onto the sewing machine.



3. Line the ruler base up with the needle plate. Close the ruler base arm and tighten the knob. Do not over-tighten or the ruler base may bend.



If it is difficult to get the ruler base onto the sewing machine, slightly loosen the screws on the bottom of the ruler base. Slide the metal supports farther apart, then tighten the screws. Do not over-tighten; only tighten until the ruler base feels secure.