



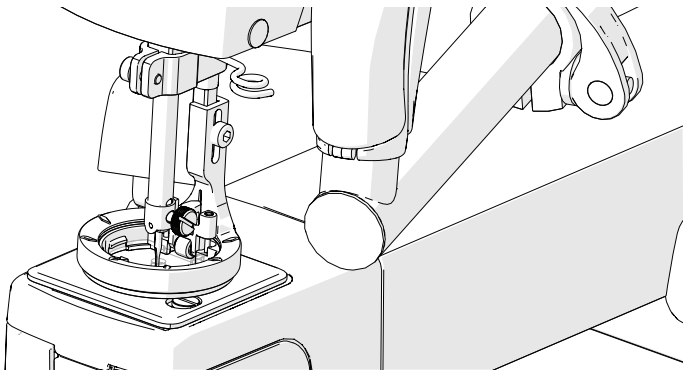
INSTRUCTION MANUAL

Copyright November 5, 2021
Grace Company
(Reproduction Prohibited)
Version 1.2

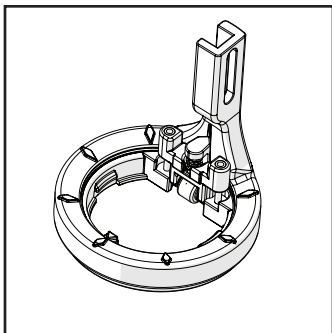
Q'nique19

Contents

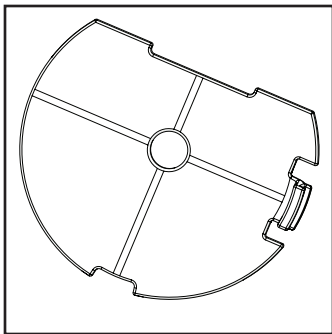
Parts & Tools:.....	3
IMPORTANT: READ FIRST	7
Upgrading the Hopping Foot.....	8
Lens Swapping Instructions:.....	12
Foot Installation Instructions:	13



Parts & Tools:

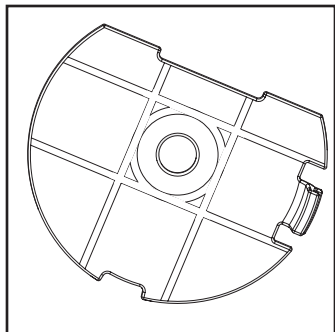


Wonderfoot
(ACC-09-15216)



LENS A - Stitch In the Ditch
(ACC-05-15206)

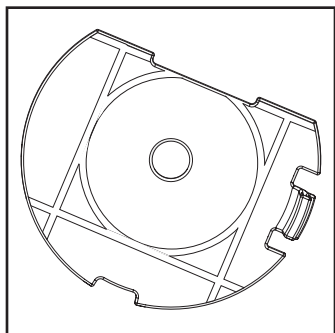
- Trace seams and lines



LENS B - 1/4" Offset

(ACC-05-15208)

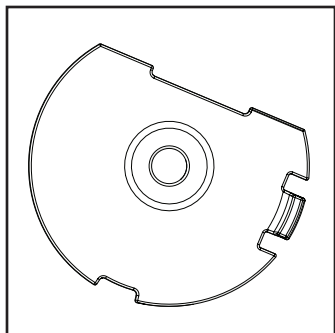
- Echoing and offset lines



LENS C - 3/8" Offset

(ACC-05-15207)

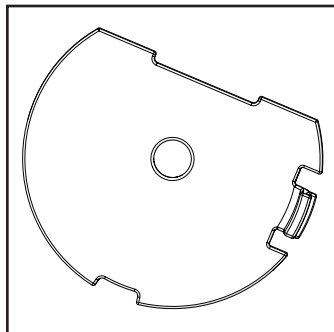
- Echoing and offset lines



LENS D - 1/4" Circle

(ACC-05-15211)

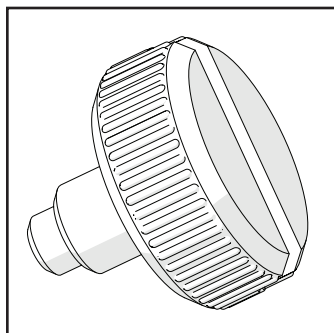
- Echo and offset curves



LENS E - Clear

(ACC-05-15210)

- Clear view of needle area.

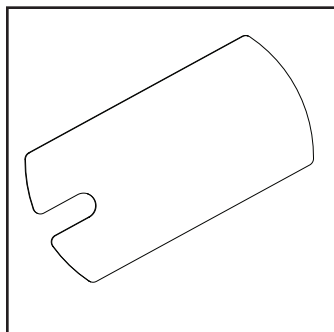


Needle Bar Thumb

Screw M3 x 4 mm

(SMP-04-15109)

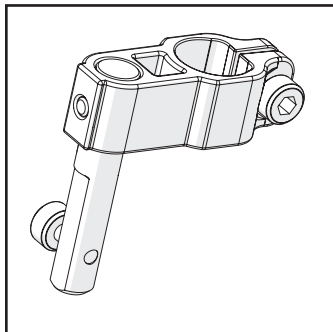
- Replace the current thumb screw on your machine.



Hopping Foot Height **Tool**

(SMP-04-12171)

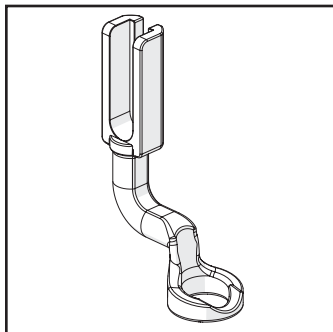
- Set hopping foot height for quality stitching.



Hopping Foot Collar SM19

(SMP-09-14525)

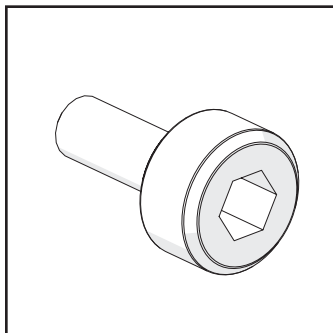
- Replace the old hopping foot collar on your machine.



Standard Hopping Foot

(SMP-04-10057)

- Replace the old standard hopping foot on your machine.



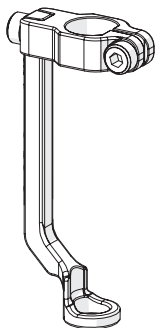
SHCS M3 x 8 mm (x2)

(HDW-03-10966)

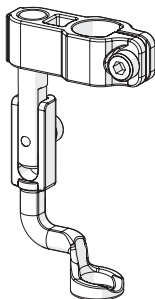
- Set hopping foot height for quality stitching.

IMPORTANT: READ FIRST

The standard hopping foot installed on your machine may not match the standard hopping foot found in this kit.



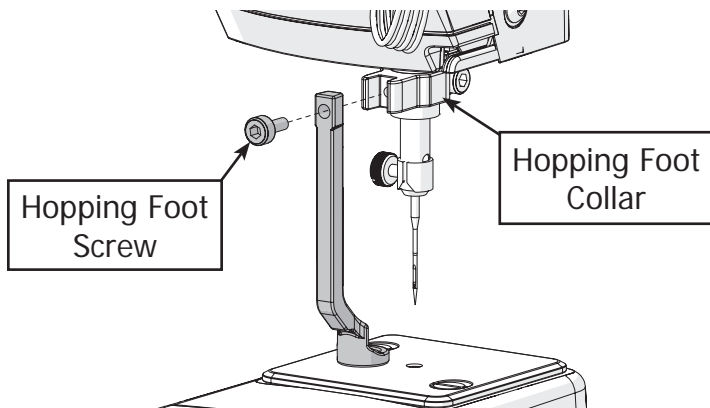
If this is the hopping foot on your machine, go to “Upgrading the Hopping Foot” on page 8.



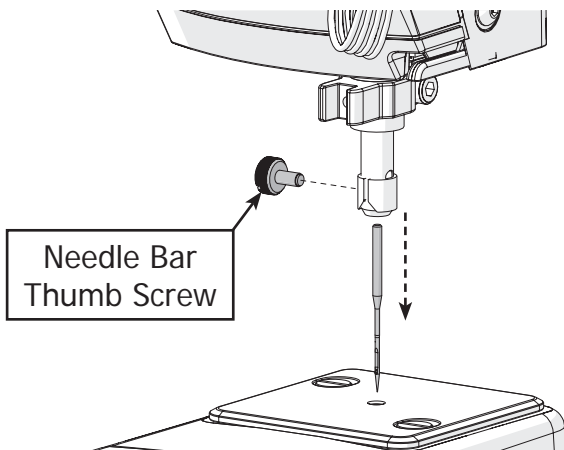
If this is the hopping foot on your machine, go to “Lens Swapping Instructions” on page 12.

Upgrading the Hopping Foot

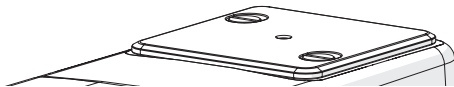
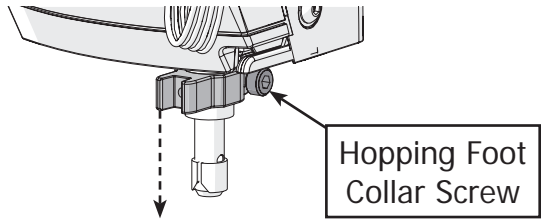
- ① Use a 3 mm Allen wrench to remove the **screw** attaching the hopping foot to the **hopping foot collar** on your machine.



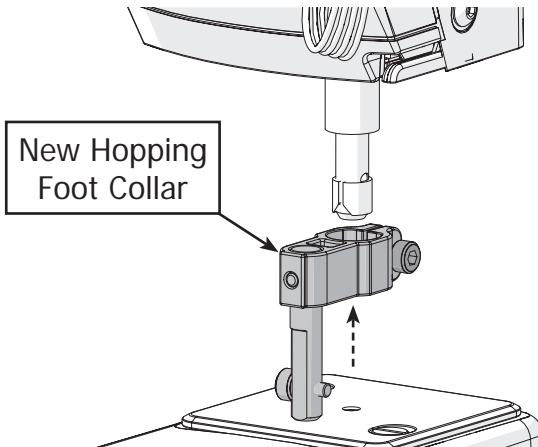
- ② Remove the **needle bar thumb screw** and carefully pull out the needle.



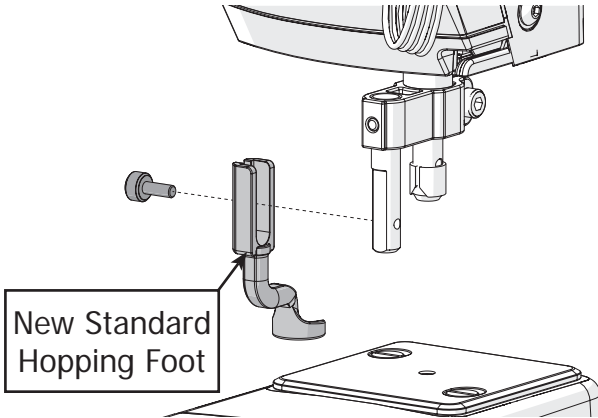
- 3 With a 3 mm Allen wrench, loosen the **hopping foot collar screw** just enough so that the collar can be pulled off the machine.



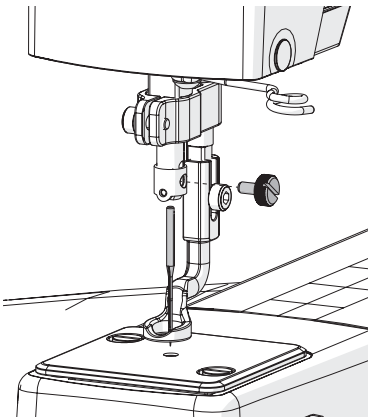
- 4 Slide the **new hopping foot collar** that came with this kit onto the press bar. Hold in place with the hopping foot collar screw.



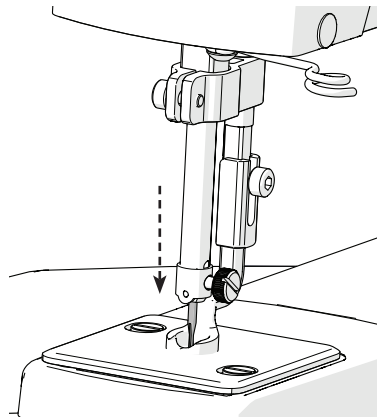
- 5 Place the **new standard hopping foot** onto the hopping foot collar bar. Attach with a hopping foot screw loosely enough that the hopping foot can slide up and down.



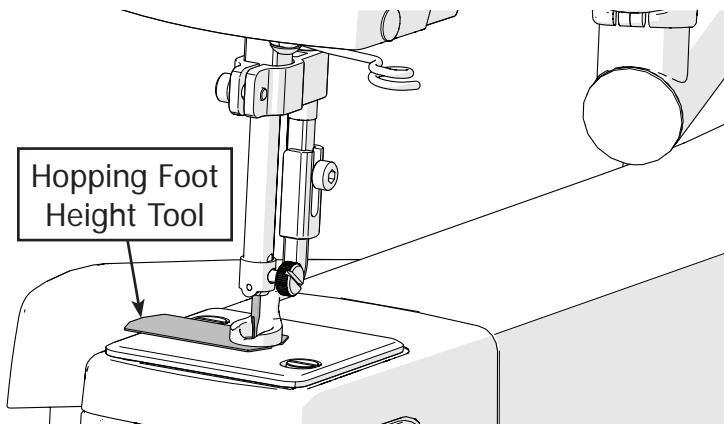
- 6 Reinstall your machine's needle and needle thumb screw.



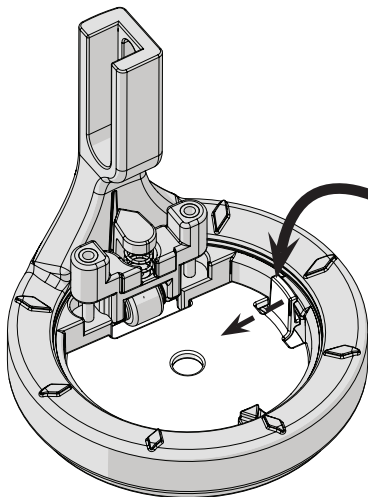
- 7 Carefully lower the needle.



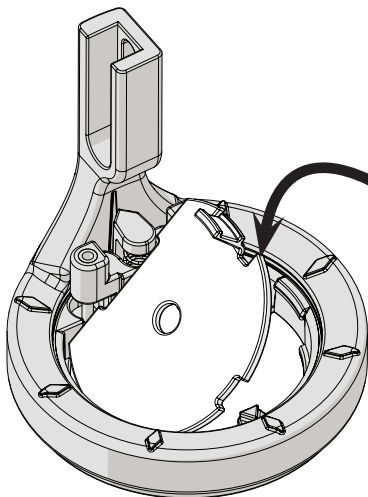
- 8 Slide the **hopping foot height tool** under the hopping foot and tighten the hopping foot screw with a 3 mm Allen wrench.



Lens Swapping Instructions:



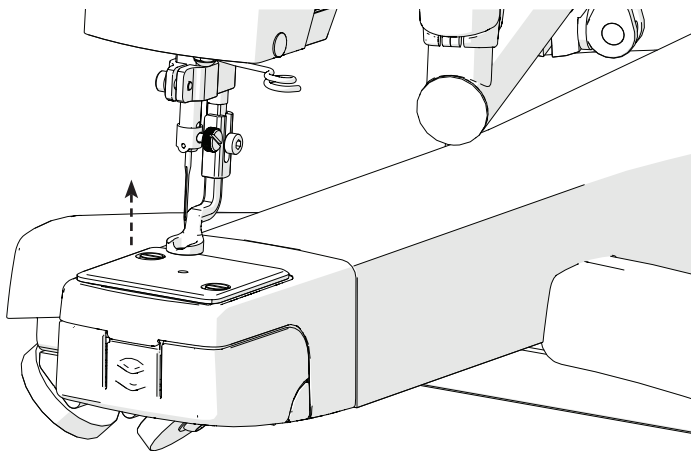
Push the tab inward to pop the lens out of the Wonderfoot.



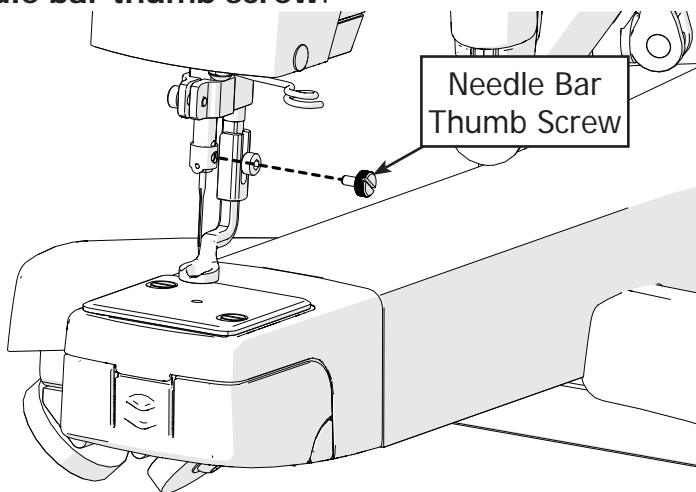
Align the insert edges and press into the Wonderfoot.

Foot Installation Instructions:

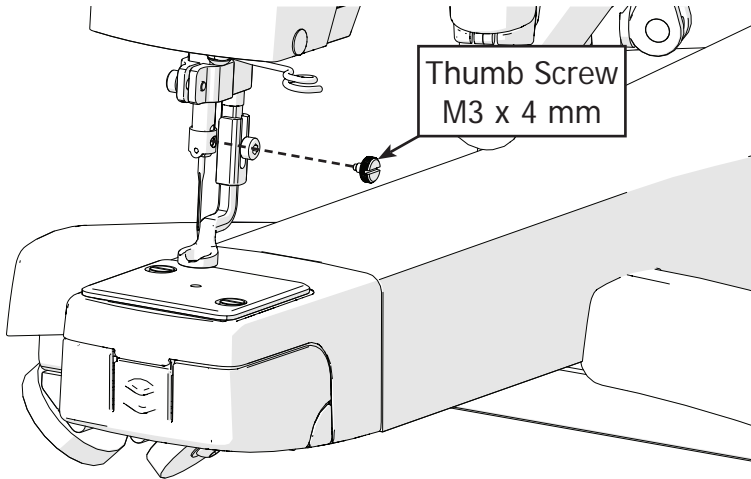
- 1 Raise the needle.



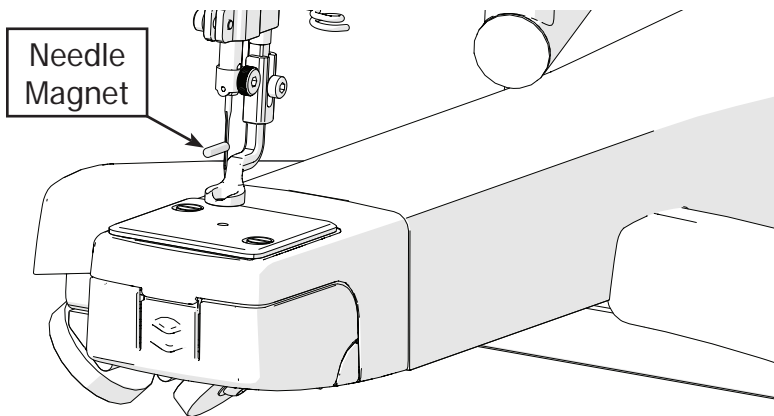
- 2 While holding the needle in place, remove the needle bar thumb screw.



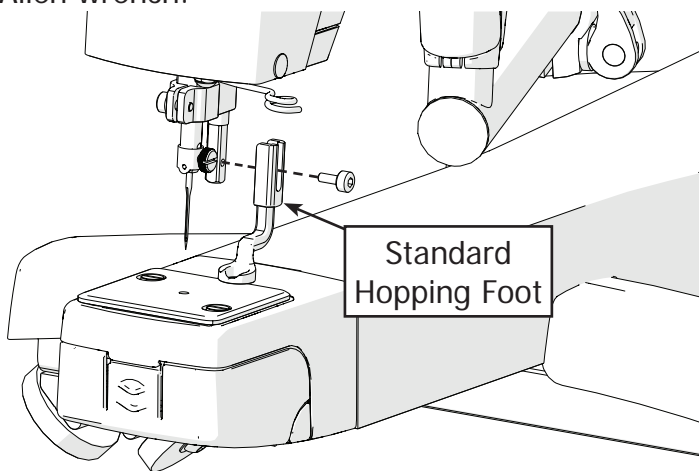
- 3 Loosely attach the **M3 x 4 mm thumb screw** that came with the Wonderfoot.



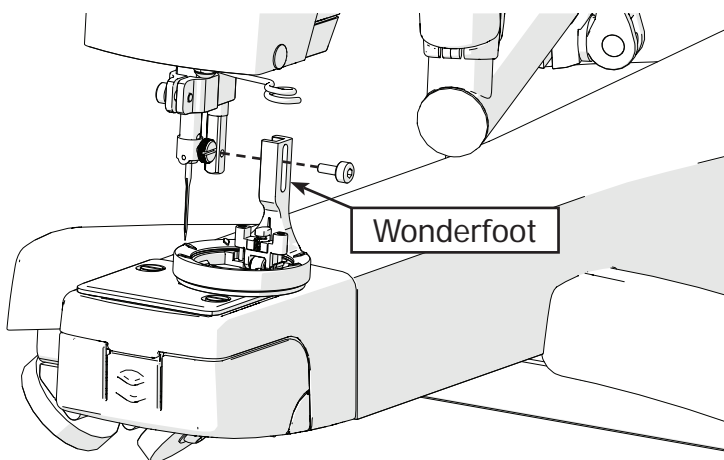
- 4 Use the **needle magnet** that came with your machine to align the needle, and tighten the thumb screw with the 3 mm Allen wrench.



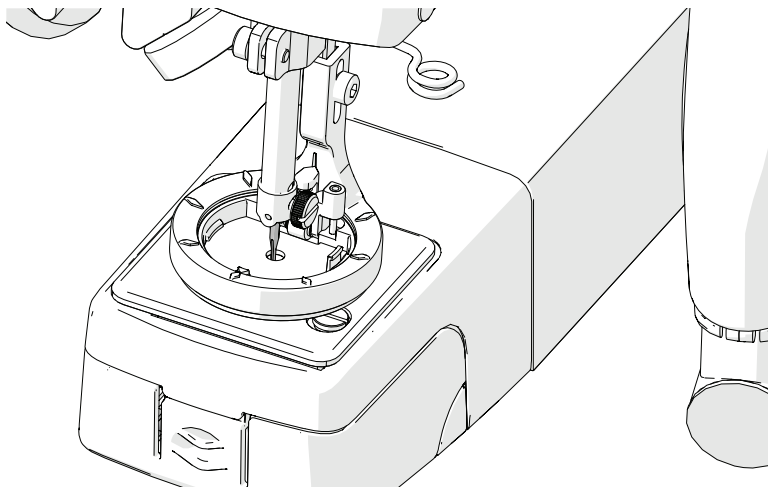
- ⑤ Remove the **standard hopping foot** with the 3 mm Allen wrench.



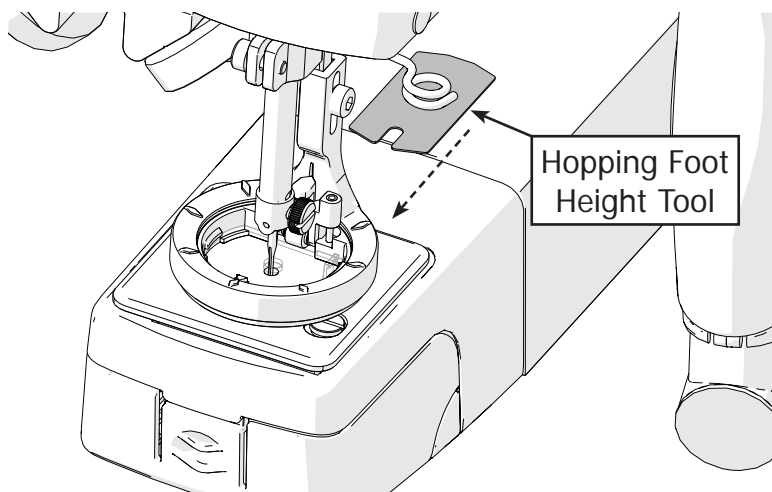
- ⑥ Loosely install the **Wonderfoot**.



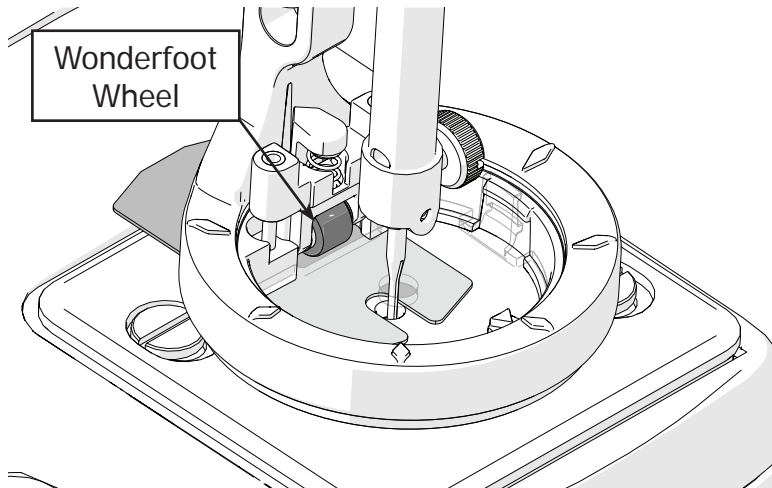
- 7 Slowly lower the needle.



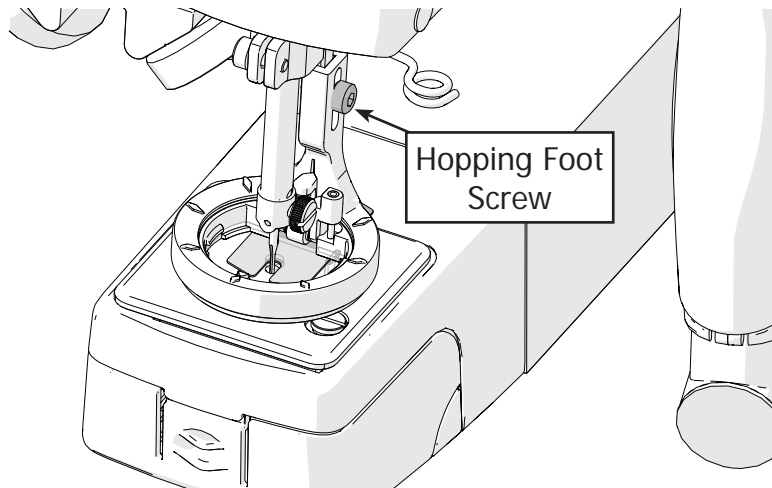
- 8 Slide the **height tool** under the foot.



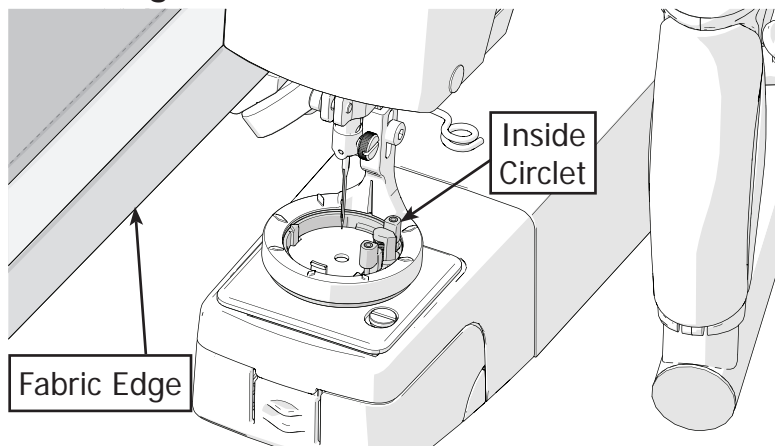
- 9 Make sure the height tool is underneath the **Wonderfoot wheel**.



- 10 Tighten the **hopping foot screw** with the 3 mm Allen wrench.



- 11 When moving your machine onto the fabric, slide the **inside circlet** of the hopping foot away from the **fabric edge**.



- 12 Practice with the provided templates! Templates can be printed off www.graceframe.com on the Wonderfoot page.

The Grace Company
Phone: 1-800-264-0644
www.graceframe.com

