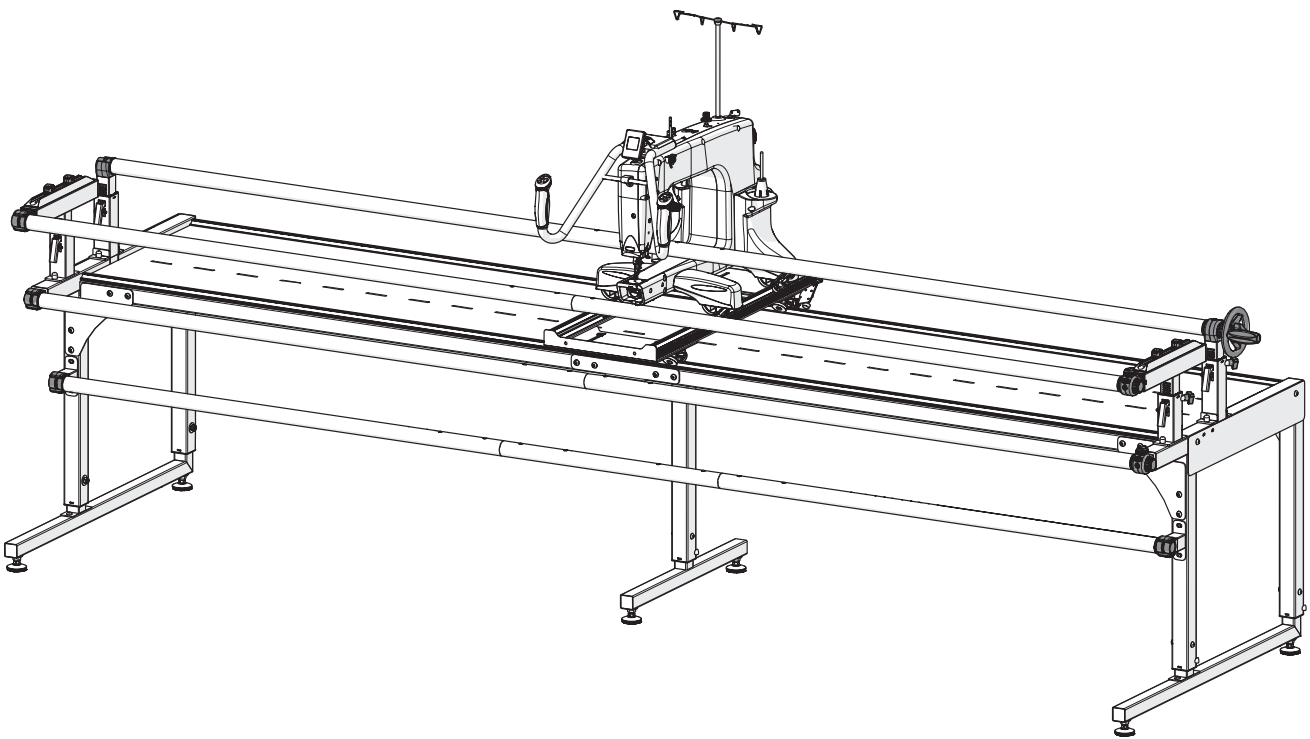


# *Continuum II*

## **Accessory Batting Rail Assembly**



Copyright August 31, 2020

Grace Company

(Reproduction Prohibited)

Version 1.0

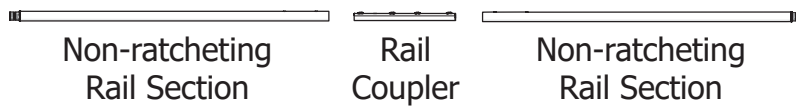
*MADE BY*  
**Grace**

# Contents

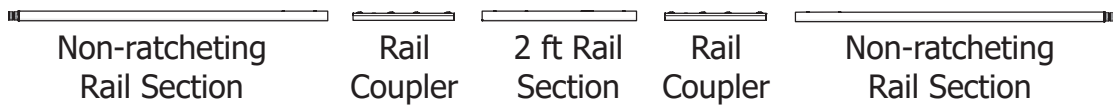
Batting Rail Configurations .....	2
Included Parts & Tools .....	3
Common Questions .....	3
8 Foot Frame .....	4
10 Foot Frame .....	7
12 Foot Frame .....	11
4 Foot .....	16
5 Foot .....	19

## Batting Rail Configurations

### 8 Foot



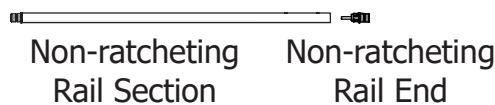
### 10 Foot



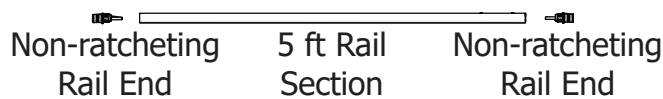
### 12 Foot



### 4 Foot



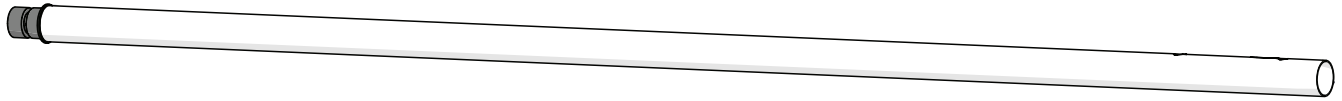
### 5 Foot



# Included Parts & Tools

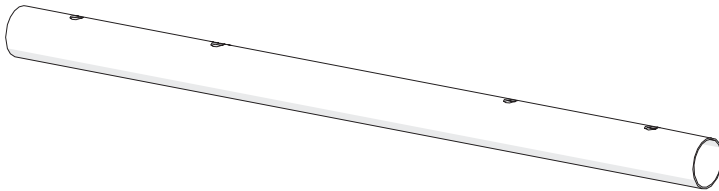
Please make sure all pieces are included in your kit.

## Non-Ratcheting Rail Section 4 ft (x2)



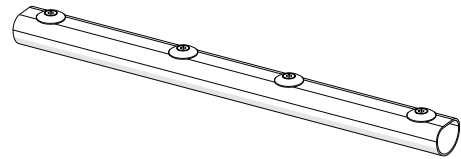
CII-09-14638

## 2 ft Rail Section (x2)



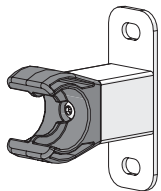
MFT-04-11397

## Rail Coupler (x3)



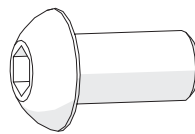
CNT-08-11865

## Rail Holder Assembly (x2)



CII-09-14611

## SBHCS M8 x 16 mm (x4)



HDW-03-10951

## Allen Wrench 5 mm



HDW-03-10741

## Allen Wrench 4 mm



HDW-03-10167

## Common Questions

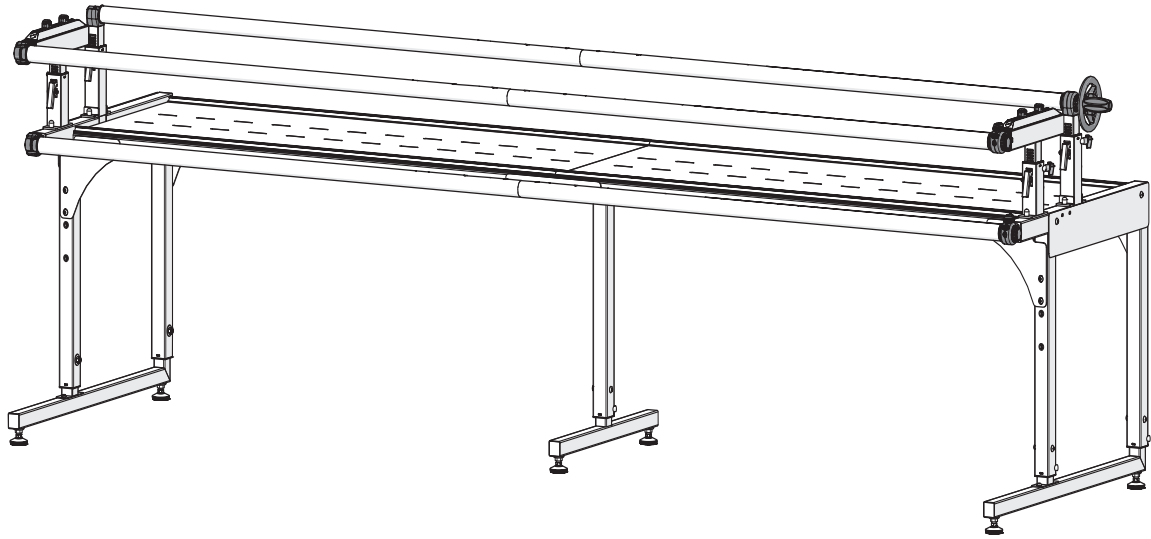
### Why does my Accessory Batting Rail come with so many pieces?

To accommodate the three available sizes of Continuum 2 frame (8 foot, 10 foot, and 12 foot), the Continuum 2 Batting Rail kit you've purchased may include more parts than your frame requires. Do not discard the extra parts; you may need them if you choose to upgrade your frame in the future.

### Can I use this accessory with the Continuum 2 crib setup?

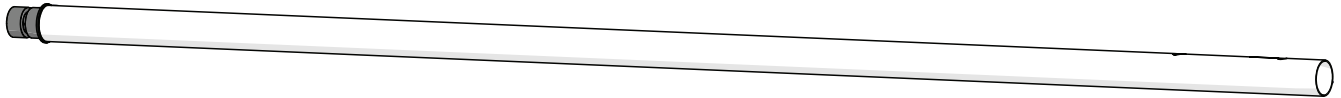
Yes! The Accessory Batting Rail is compatible with both the crib and full setups for the 8 foot and 10 foot Continuum 2 frame. If you have the crib setup for the 10 foot frame, you will need to use one of the remaining 5 foot rail pieces from your base frame to build the batting rail. The crib setup for the 8 foot frame can use one of the 4 foot rail segments in this kit.

# 8 Foot Frame

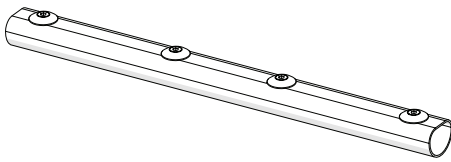


## Parts & Tools Needed:

**Non-ratcheting rail Section 4 ft (x2)**



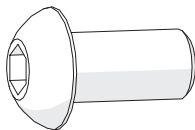
**Rail Coupler**



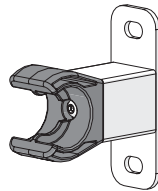
**Allen Wrench 4 mm**



**SBHCS  
M8 x 16 mm (x4)**



**Rail Holder  
Assembly (x2)**



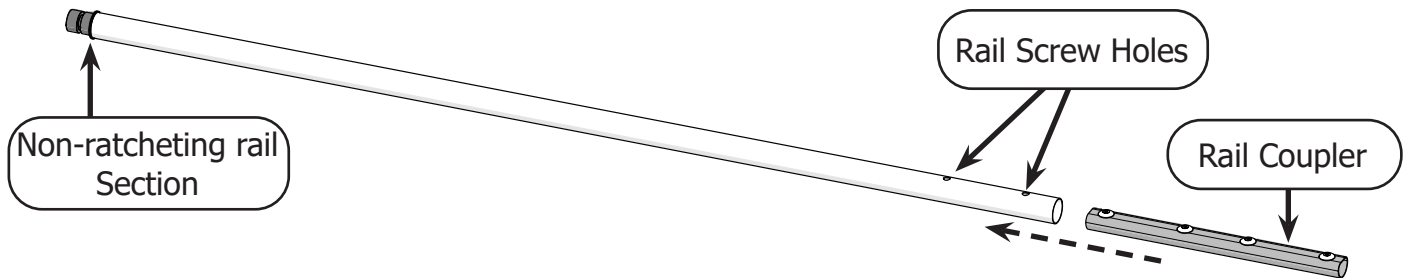
**Allen Wrench 5 mm**



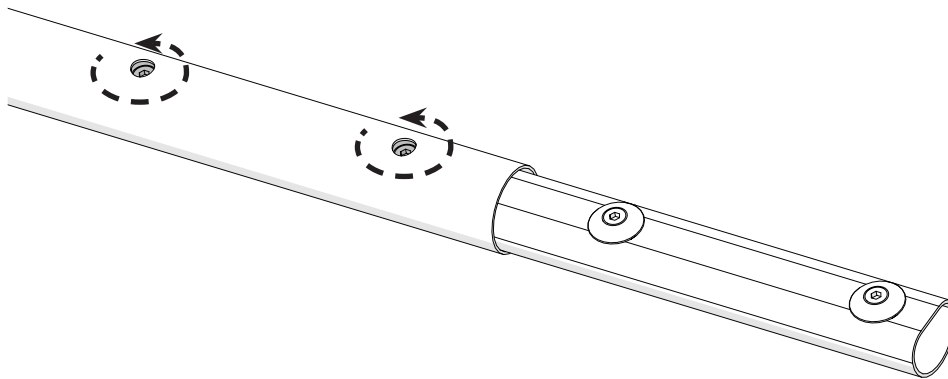
## Instructions

To assemble and install the batting rail on the 8 foot frame, take the following steps:

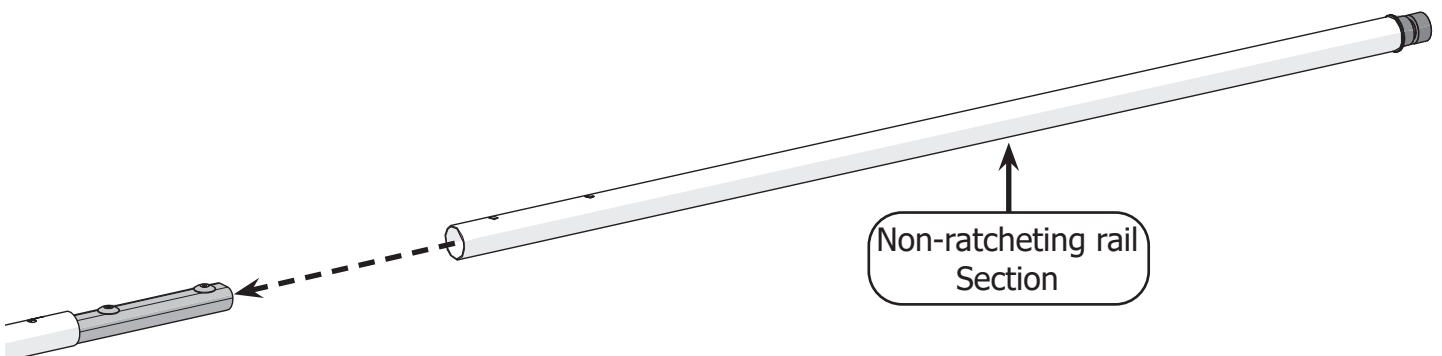
- 1 Slide a **rail coupler** into one of the **non-ratcheting rail sections**. Line up the screws on the coupler with the **holes** on the rail.



- 2 Use a 4 mm Allen wrench to loosen (turn counter-clockwise) the screws inside the rail until they press firmly against the rail.

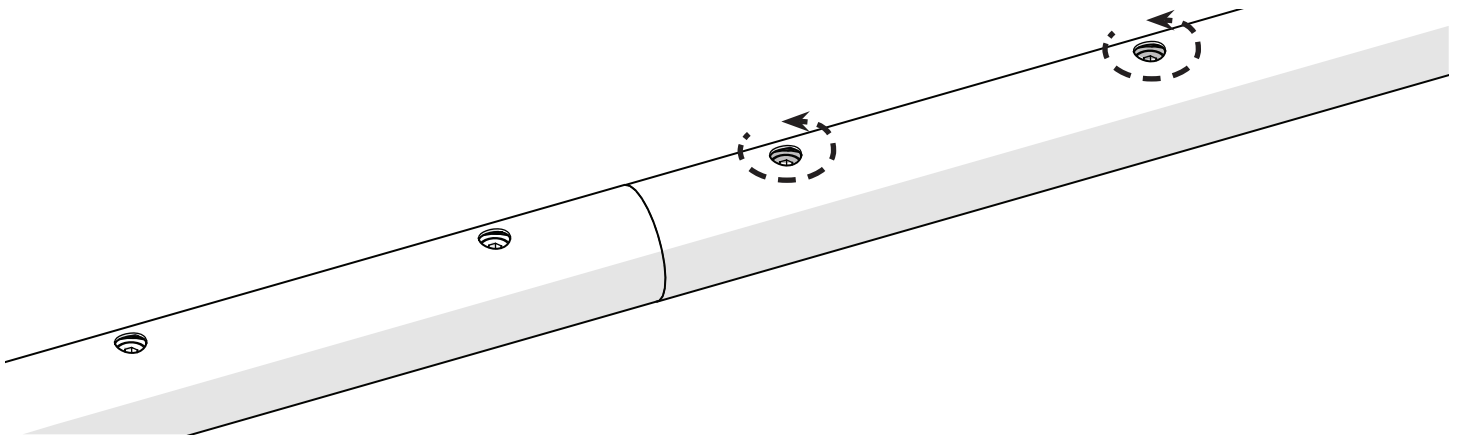


- 3 Slide the remaining **non-ratcheting rail section** onto the other side of the rail coupler.

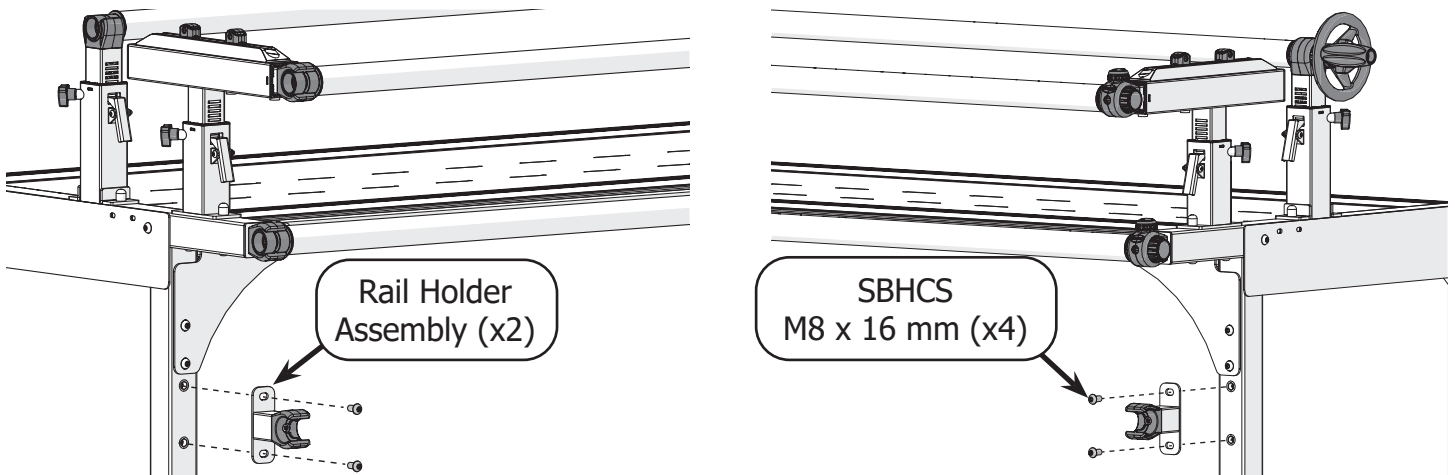


## Batting Rail - 8 Foot Frame

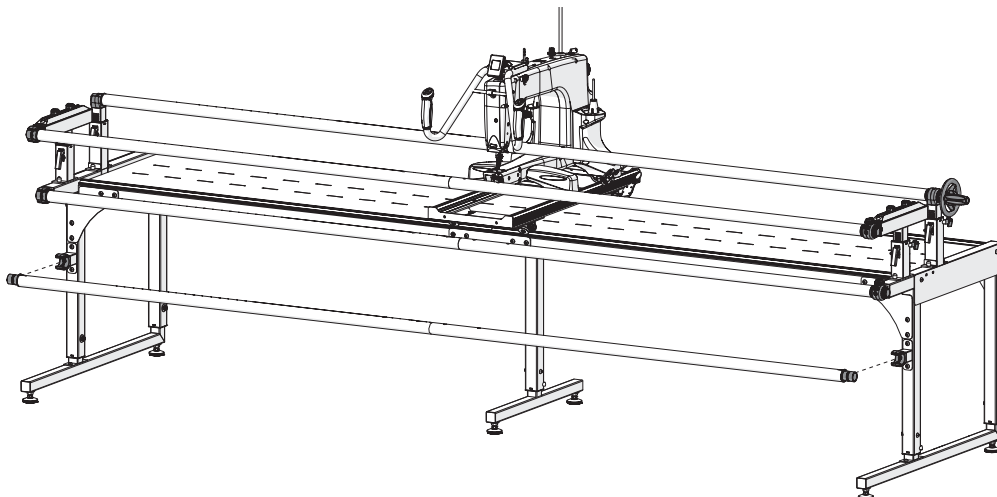
- 4 Align the holes with the coupler screws and loosen the screws with the 4 mm Allen wrench until they press firmly against the inside of the rail.



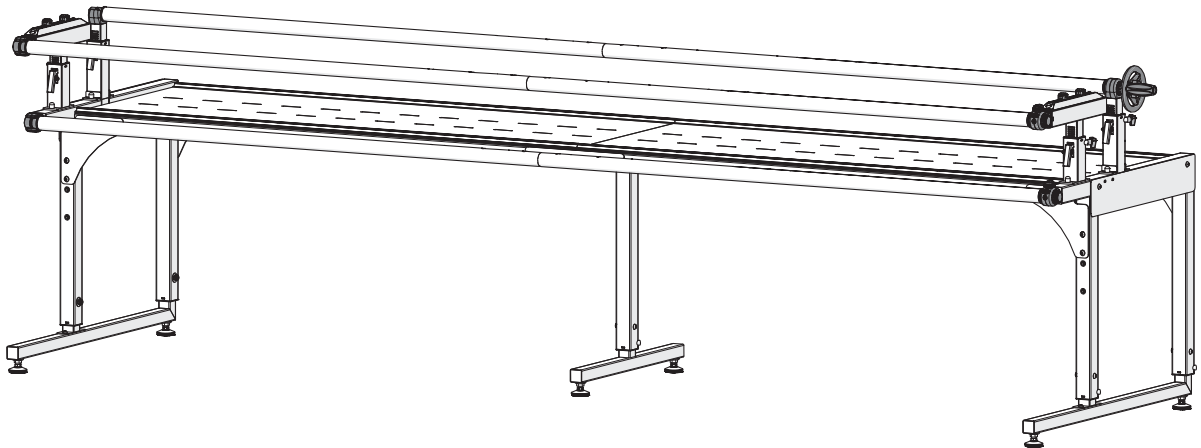
- 5 Install the **rail holder assemblies** onto the front of the frame legs using two **M8 x 16 mm SBHCS screws** each and a 5 mm Allen wrench.



- 6 Press batting rail into the rail holder assemblies.



# 10 Foot Frame

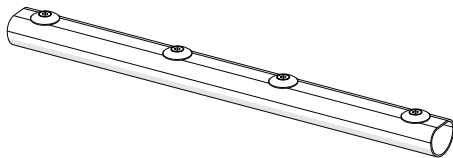


## Parts & Tools Needed:

**Non-ratcheting rail Section 4 ft (x2)**



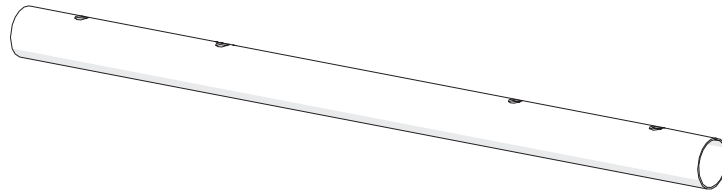
**Rail Coupler (x2)**



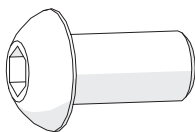
**Allen Wrench 4 mm**



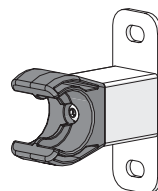
**2 ft Rail Section**



**SBHCS  
M8 x 16 mm (x4)**



**Rail Holder  
Assembly (x2)**



**Allen Wrench 5 mm**

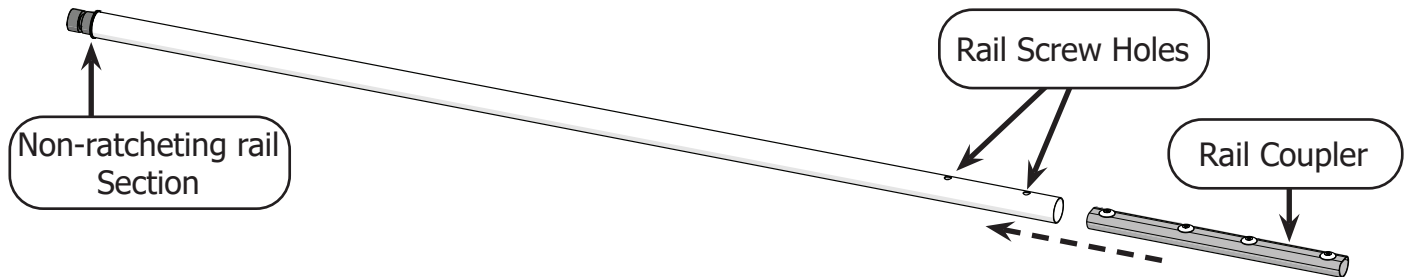


# Batting Rail - 10 Foot Frame

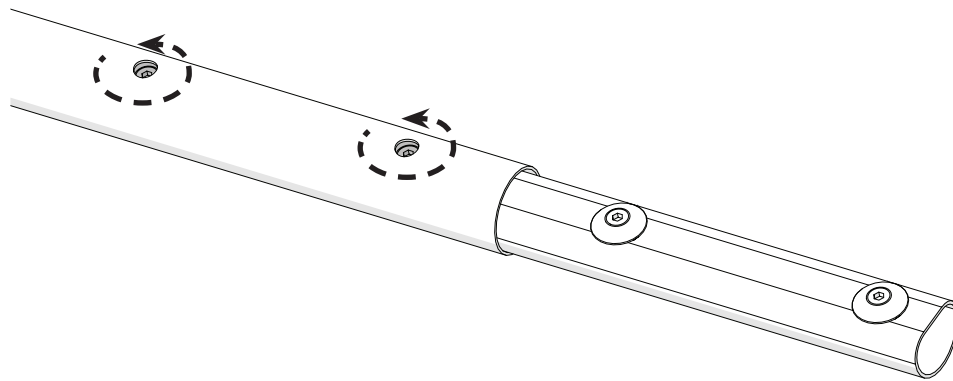
## Instructions

To assemble and install the batting rail on the 10 foot frame, take the following steps:

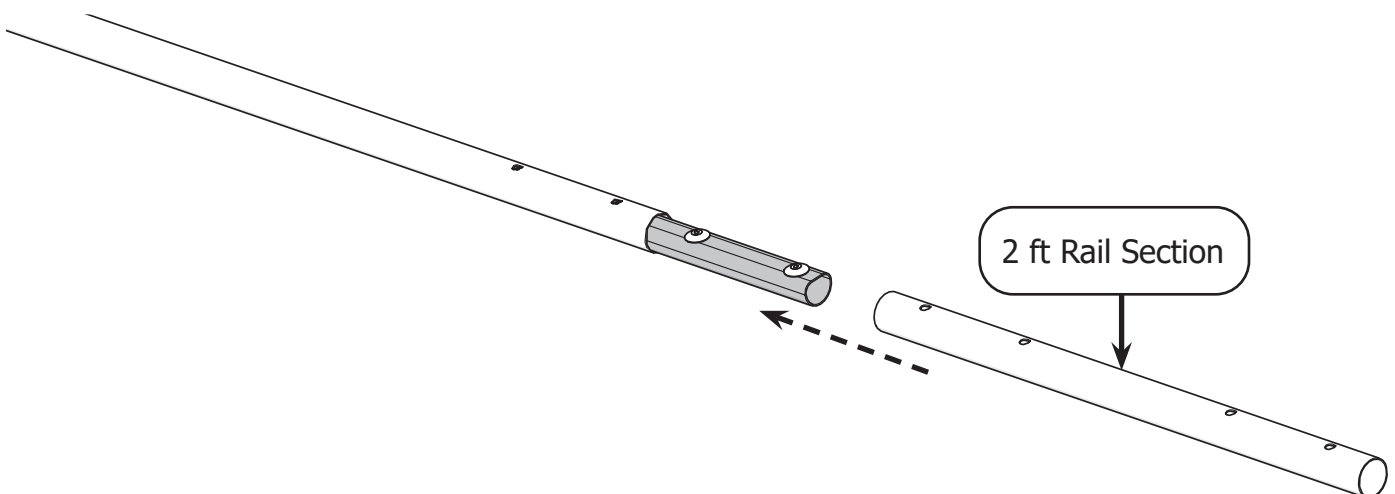
- 1 Slide a **rail coupler** into one of the **non-ratcheting rail sections**. Line up the screws on the coupler with the **holes** on the rail.



- 2 Use a 4 mm Allen wrench to loosen (turn counter-clockwise) the screws inside the rail until they press firmly against the rail.



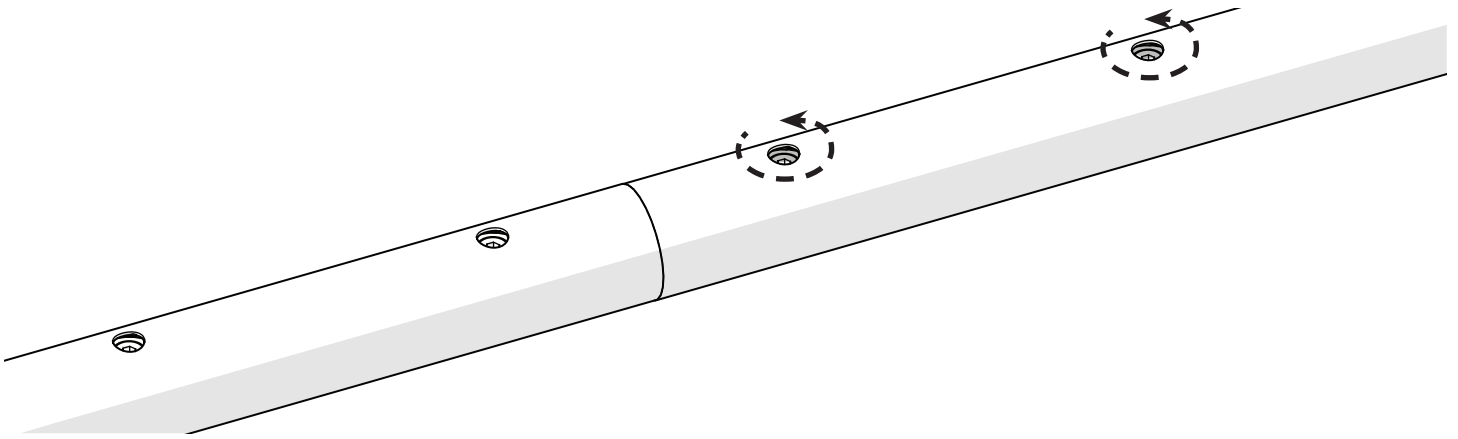
- 3 Slide one of the **2 ft rail sections** onto the other side of the rail coupler.



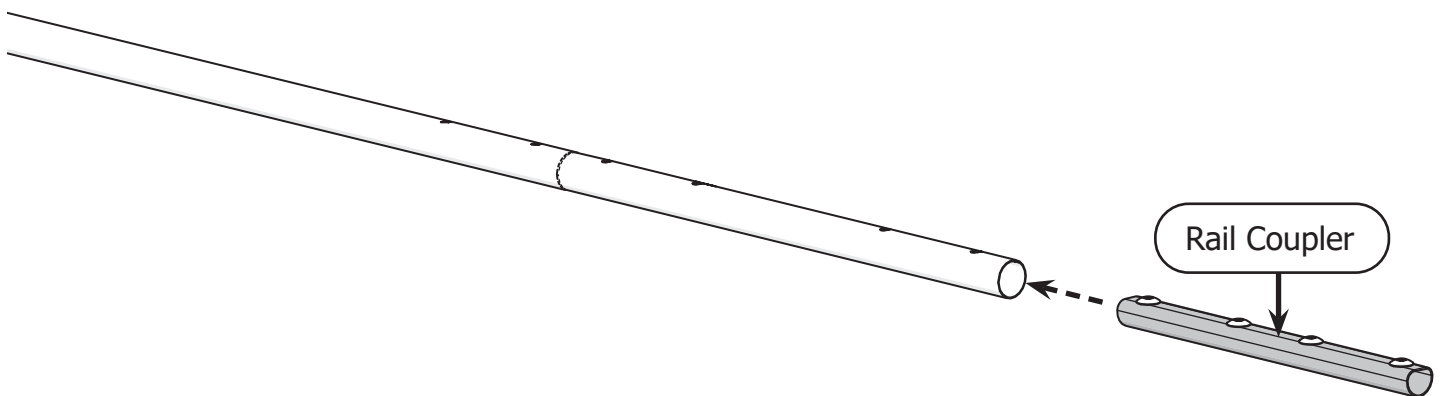


## Batting Rail - 10 Foot Frame

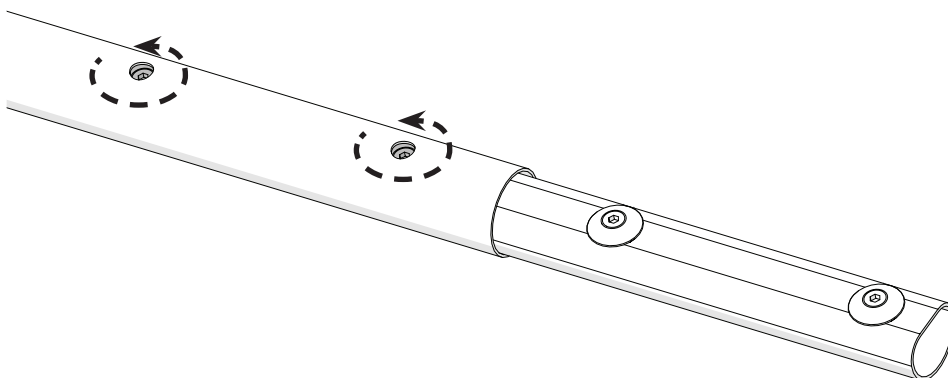
- 4 Align the holes with the coupler screws and loosen the screws with the 4 mm Allen wrench until they press firmly against the inside of the rail.



- 5 Now insert a second coupler into the 2 ft rail section.

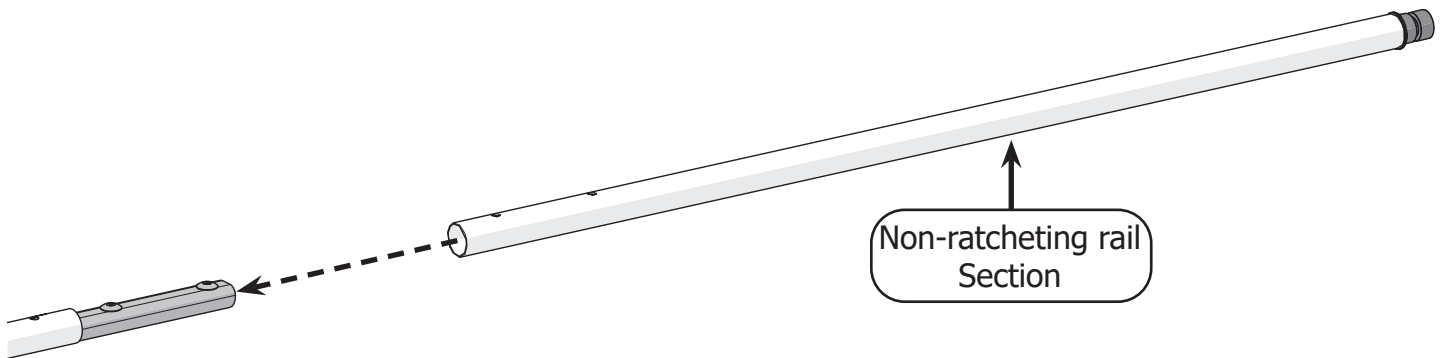


- 6 Once again, loosen the screws with the 4 mm Allen wrench until the rail and coupler are snug.

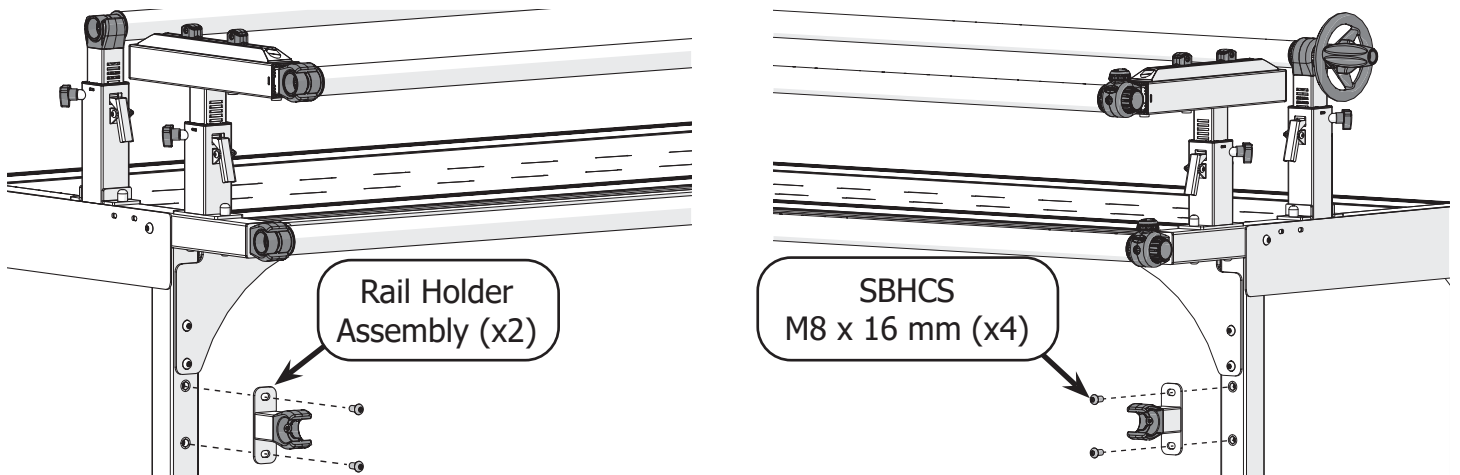


## Batting Rail - 10 Foot Frame

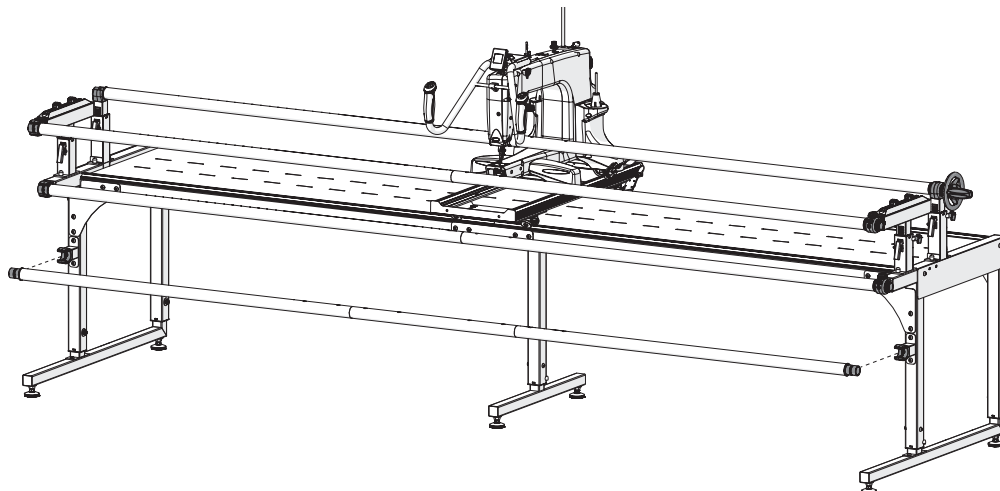
- 7 Install the remaining **non-ratcheting rail section** onto the other side of the rail coupler. Use the 4 mm Allen wrench to loosen the coupler screws.



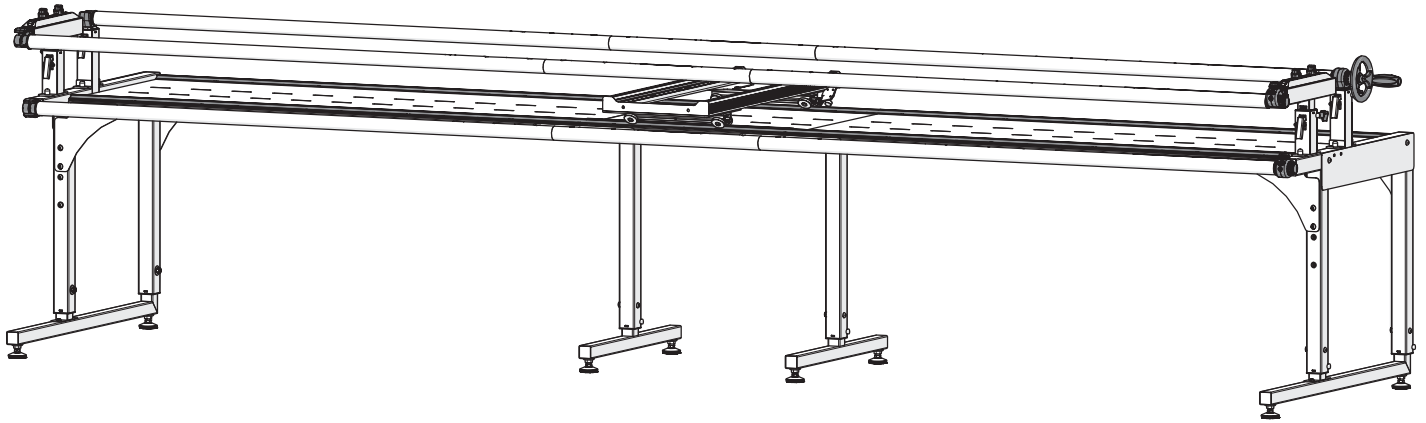
- 8 Install the **rail holder assemblies** onto the front of the frame legs using two **M8 x 16 mm SBHCS screws** each and a 5 mm Allen wrench.



- 9 Press batting rail into the rail holder assemblies.

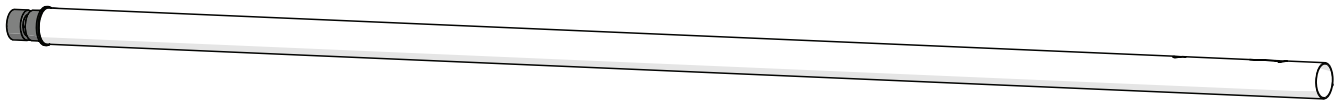


# 12 Foot Frame

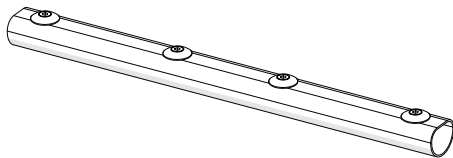


## Parts & Tools Needed:

**Non-ratcheting rail Section 4 ft (x2)**



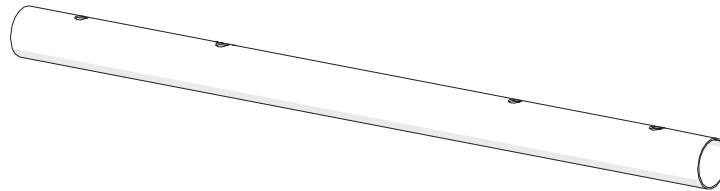
**Rail Coupler (x3)**



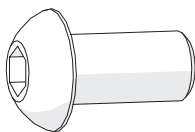
**Allen Wrench 4 mm**



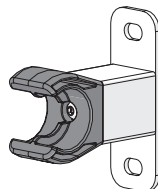
**2 ft Rail Section (x2)**



**SBHCS  
M8 x 16 mm (x4)**



**Rail Holder  
Assembly (x2)**



**Allen Wrench 5 mm**

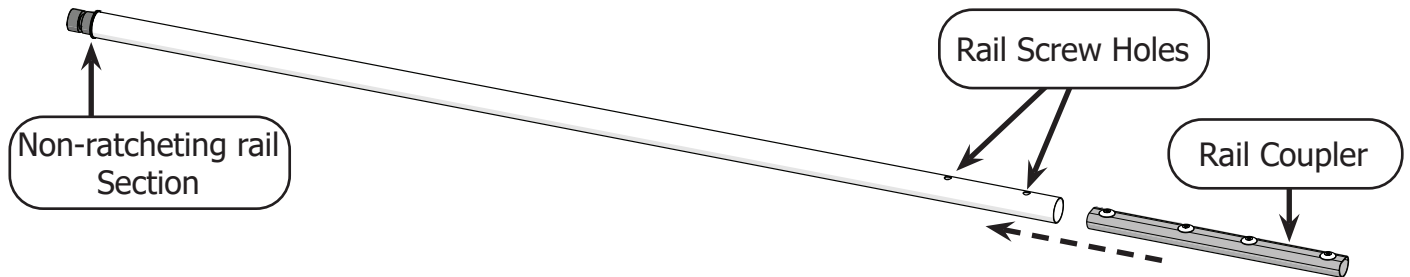


## Batting Rail - 12 Foot Frame

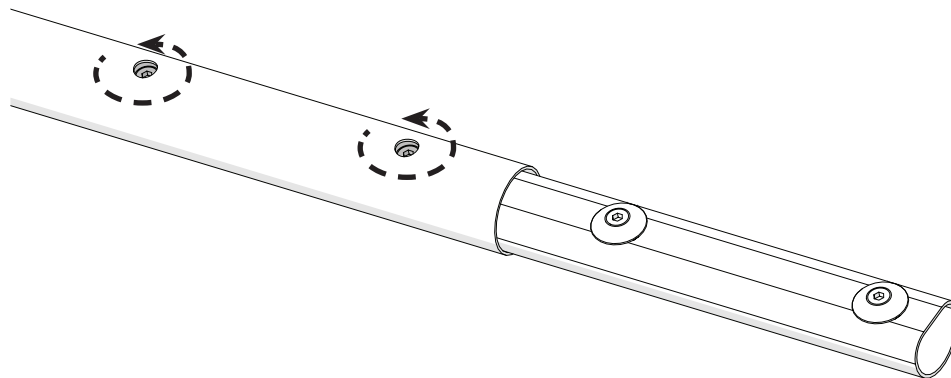
### Instructions

To assemble and install the batting rail on the 12 foot frame, take the following steps:

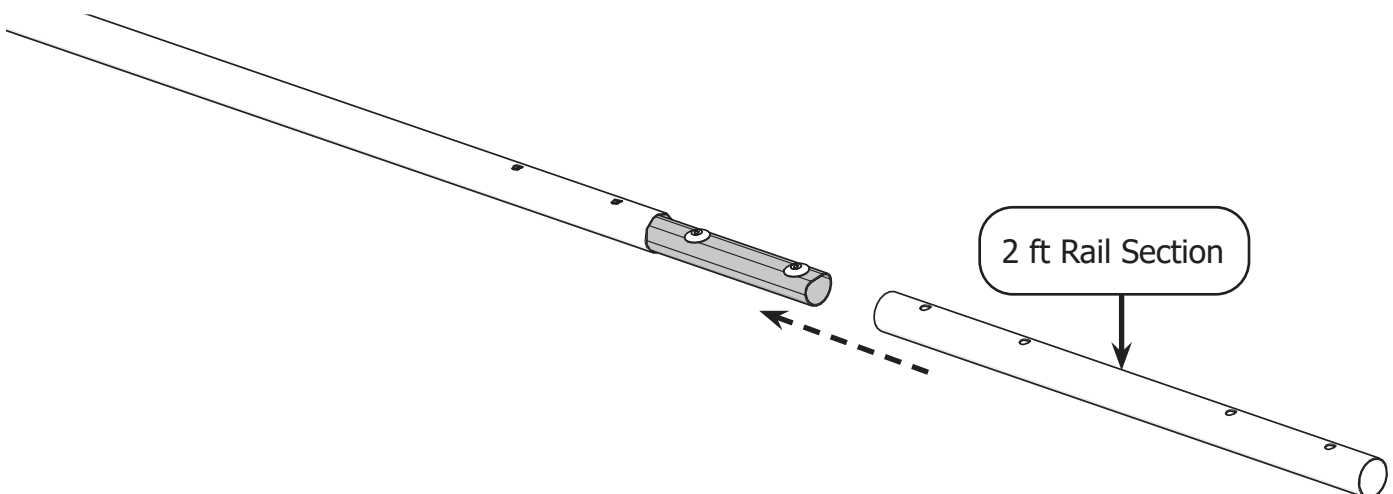
- 1 Slide a **rail coupler** into one of the **non-ratcheting rail sections**. Line up the screws on the coupler with the **holes** on the rail.



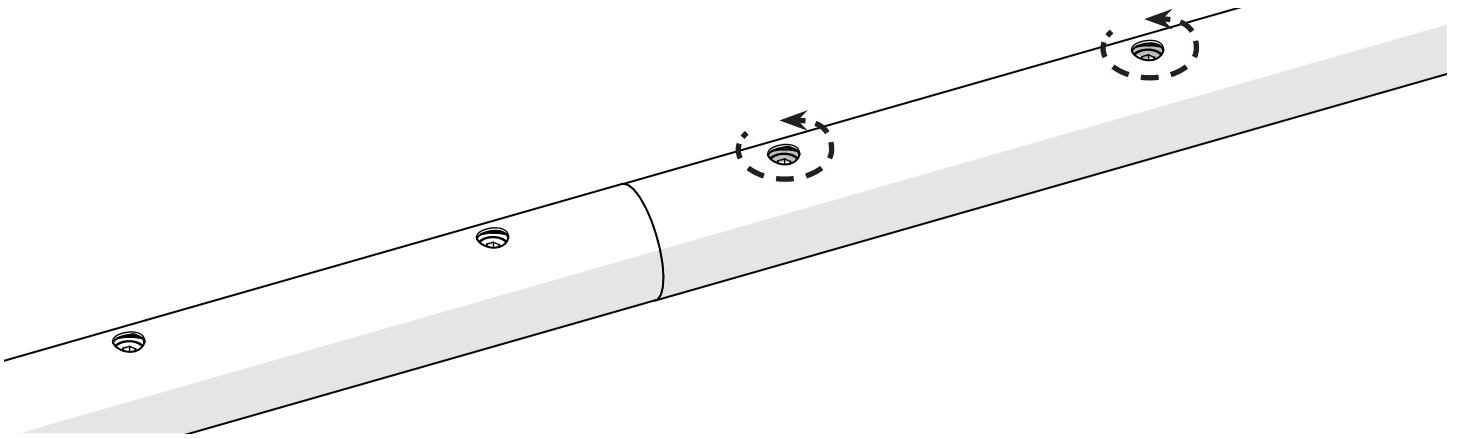
- 2 Use the 4 mm Allen wrench to loosen (turn counter-clockwise) the screws inside the rail until they press firmly against the rail.



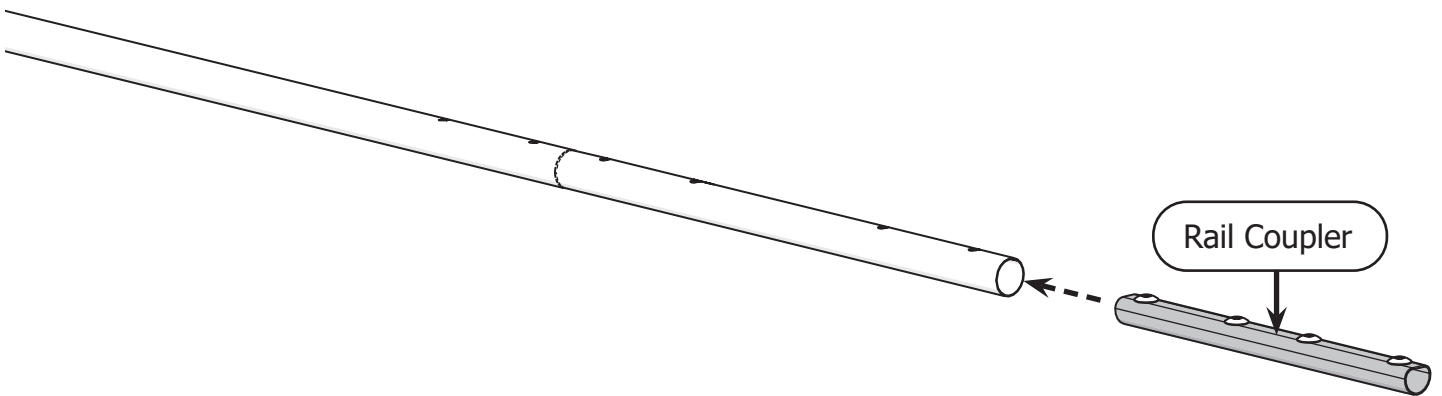
- 3 Slide one of the **2 ft rail sections** onto the other side of the rail coupler.



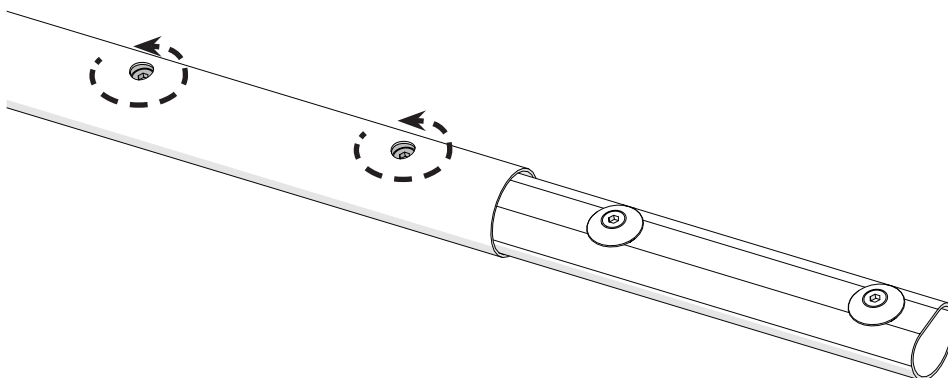
- 4 Align the holes with the coupler screws and loosen the screws with the 4 mm Allen wrench until they press firmly against the inside of the rail.



- 5 Now insert a second coupler into the 2 ft rail section.

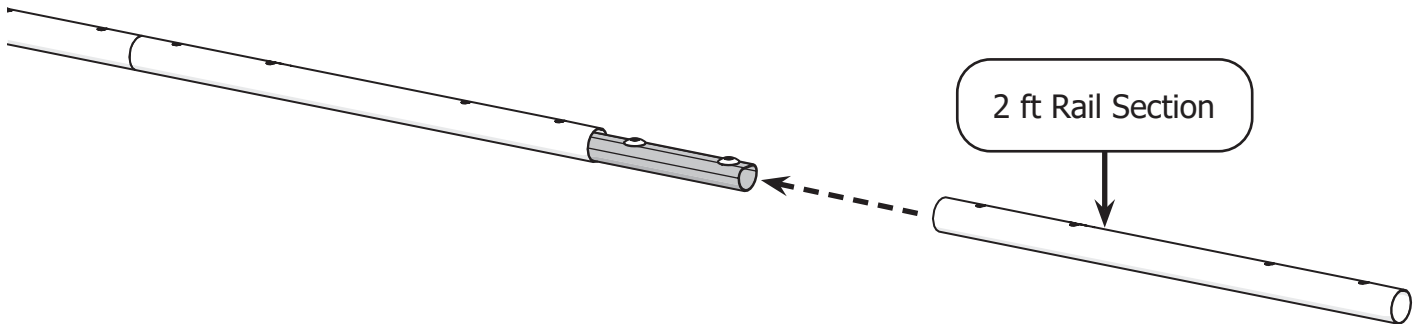


- 6 Once again, loosen the screws with the 4 mm Allen wrench until the rail and coupler are snug.

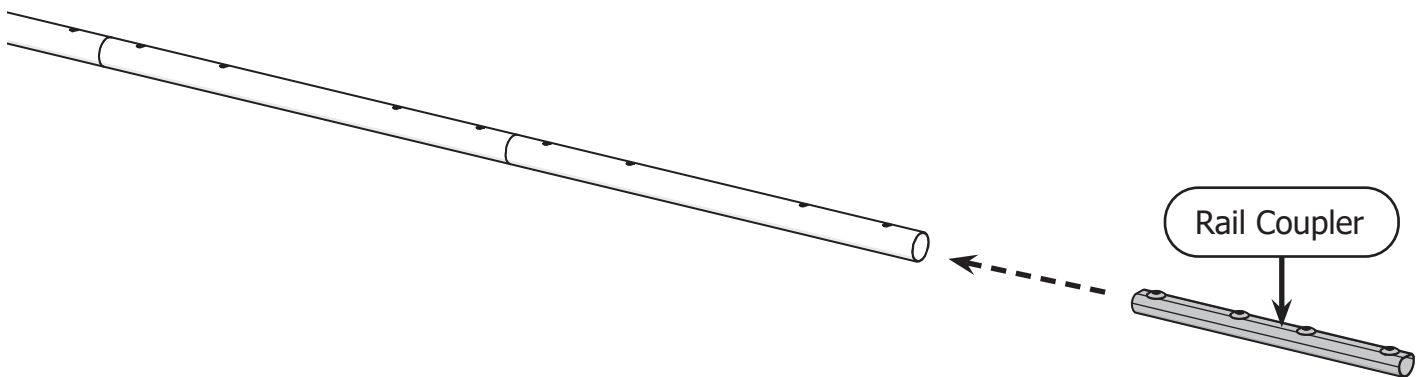


## Batting Rail - 12 Foot Frame

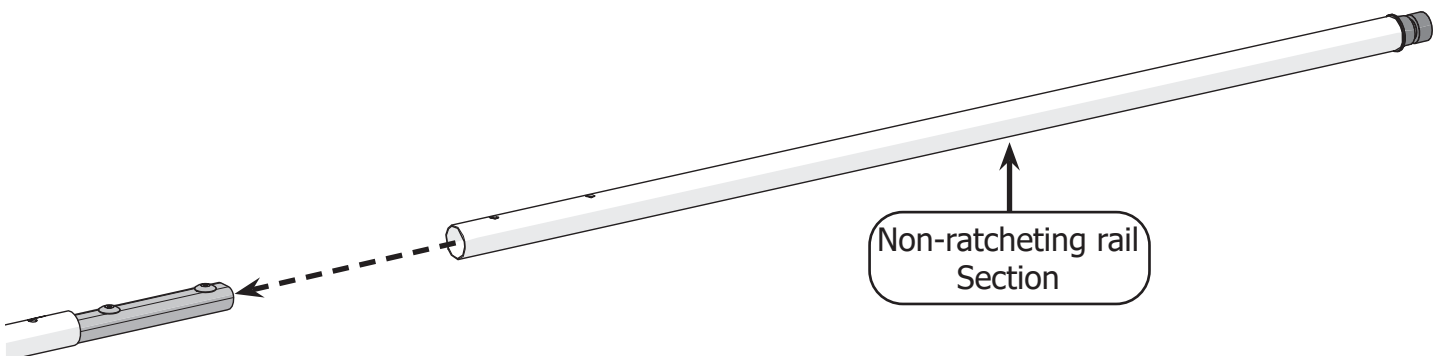
- 7 Install a second 2 ft rail section onto the rail coupler. Loosen the coupler screws with the 4 mm Allen wrench to fix the rail section in place.



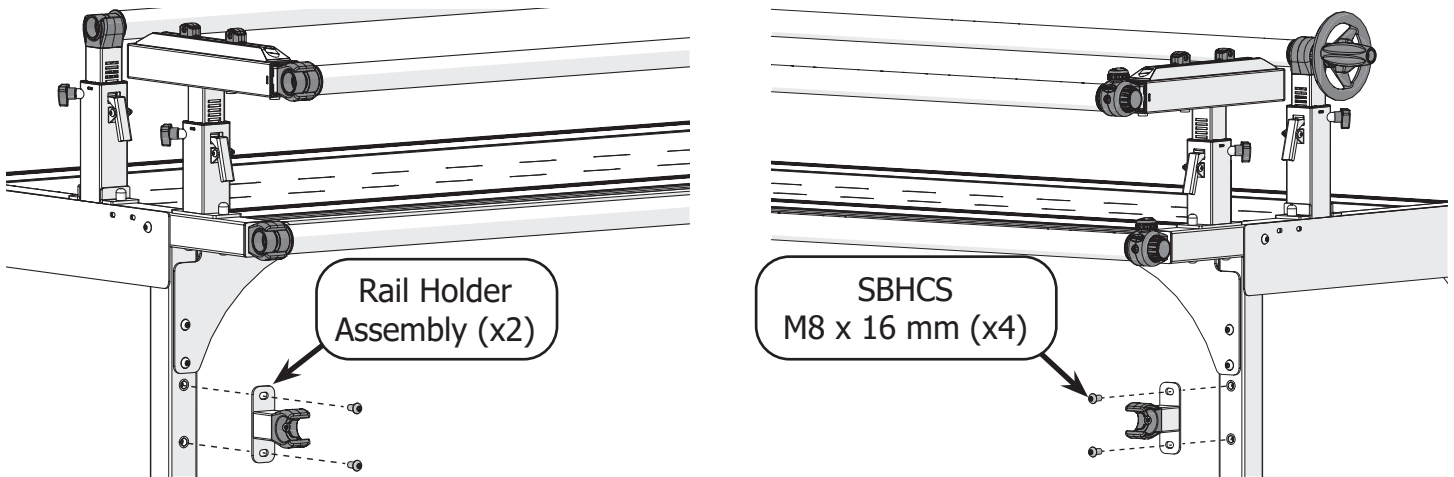
- 8 Slide the third rail coupler into the free end of the 2 ft rail section. Use the 4 mm Allen wrench to loosen the screws until the rail coupler is held firmly in place.



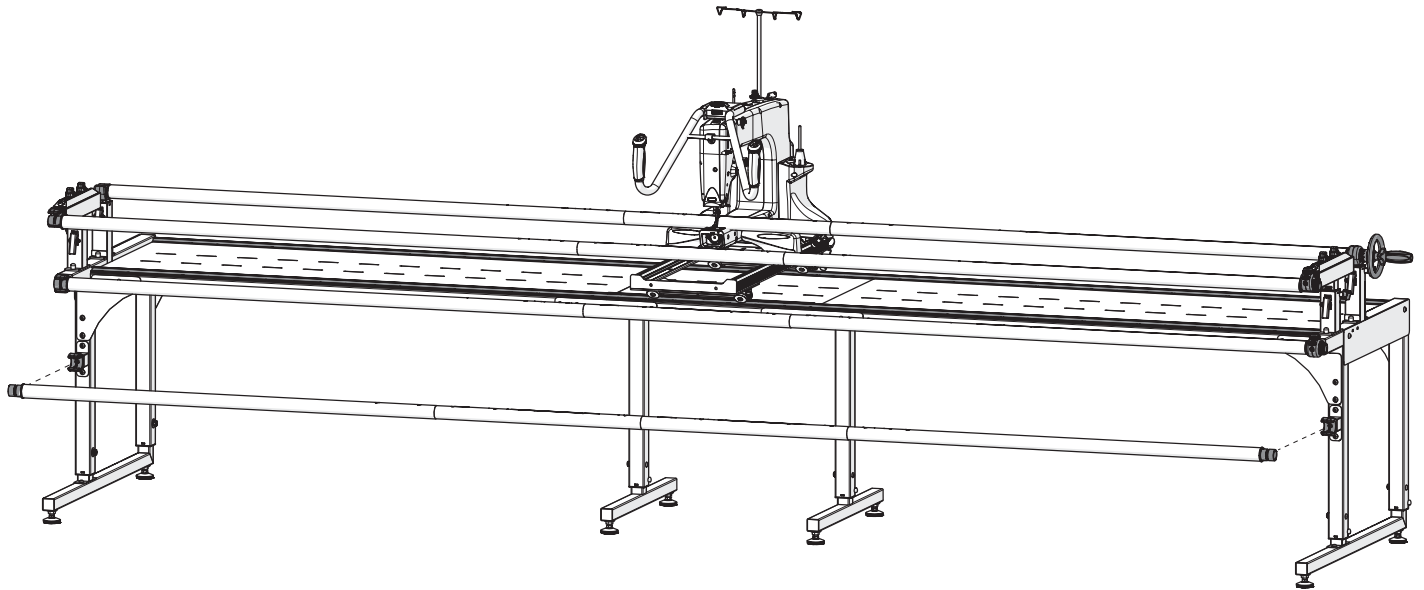
- 9 Install the remaining **non-ratcheting rail section** onto the other side of the rail coupler. Use the 4 mm Allen wrench to loosen the coupler screws.



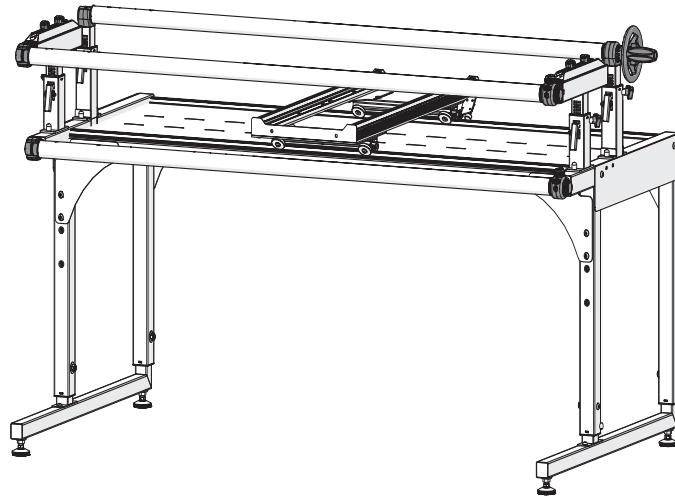
- 10 Install the **rail holder assemblies** onto the front of the frame legs using two **M8 x 16 mm SBHCS screws** each and a 5 mm Allen wrench.



- 11 Press batting rail into the rail holder assemblies.

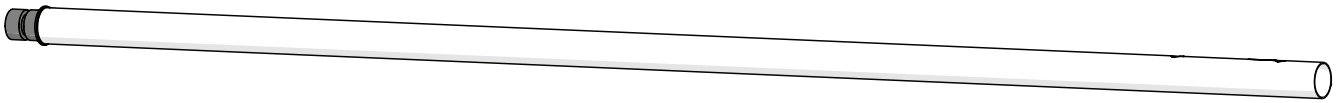


# 4 Foot



## Parts & Tools Needed:

**Non-ratcheting rail Section 4 ft (x2)**

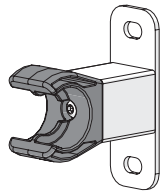


**Allen Wrench 6 mm**

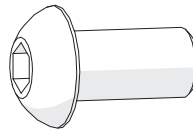


Not included. See base frame tools.

**Rail Holder Assembly (x2)**



**SBHCS  
M8 x 16 mm (x4)**



**Allen Wrench 5 mm**

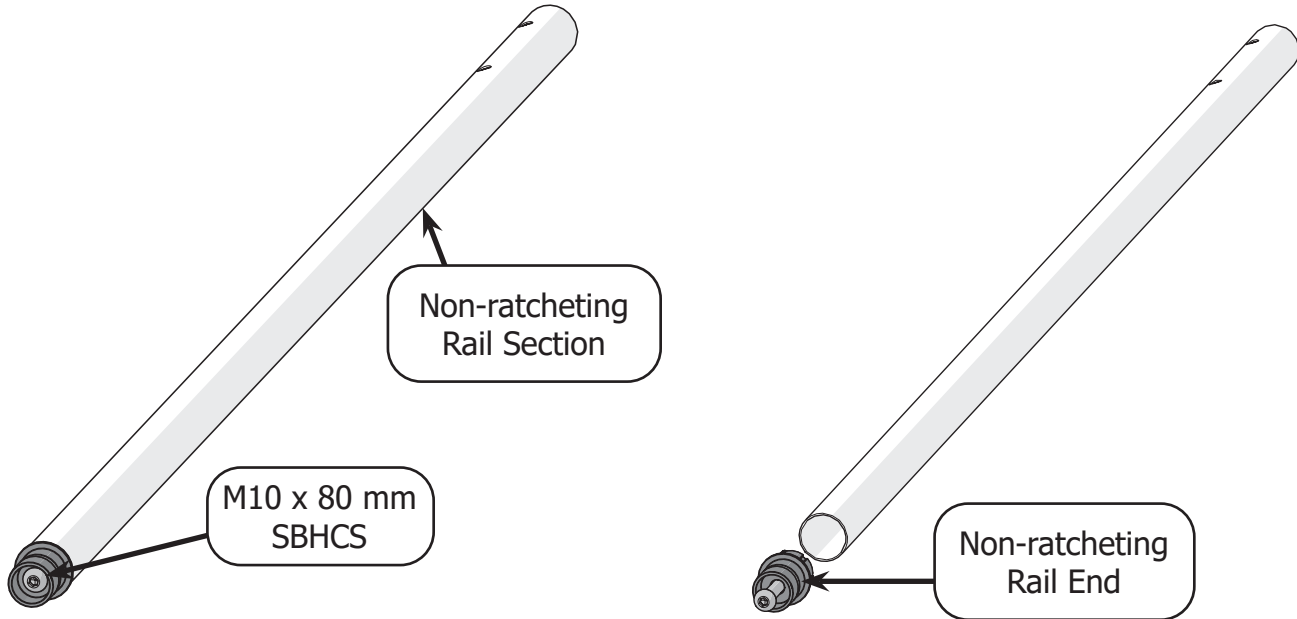




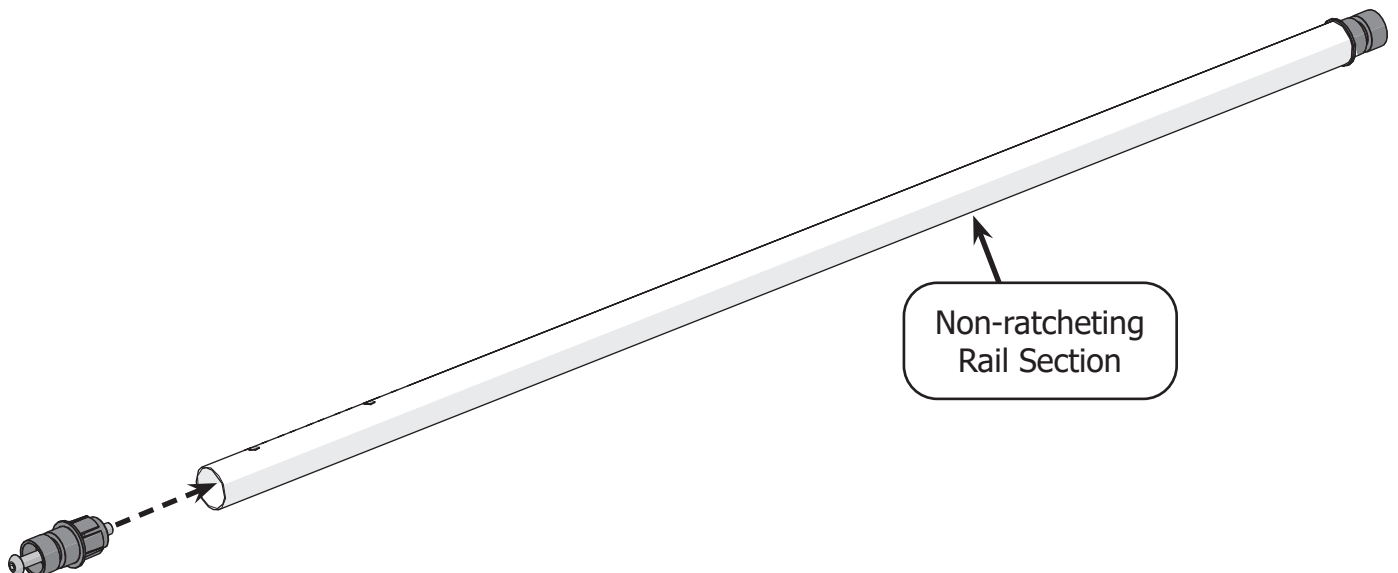
## Instructions

To assemble and install the batting rail on the 4 foot crib setup, take the following steps:

- 1 Use the 6 mm Allen wrench to loosen the **M10 x 80 mm SBHCS** screw on the **non-ratcheting rail section**. Remove the **non-ratcheting rail end** from the rail segment.

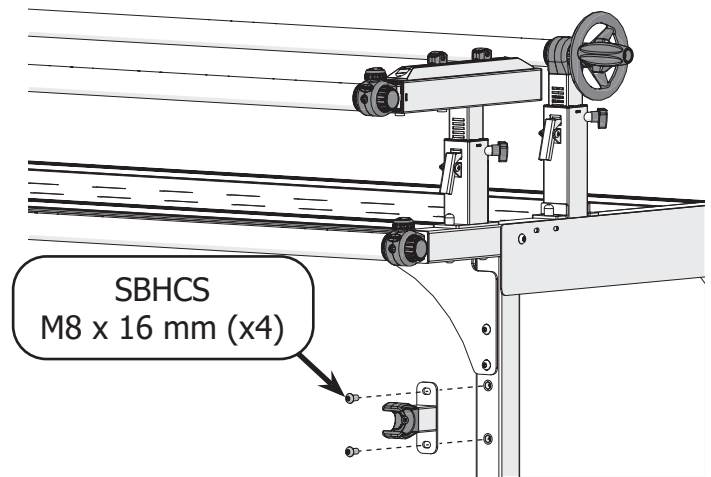
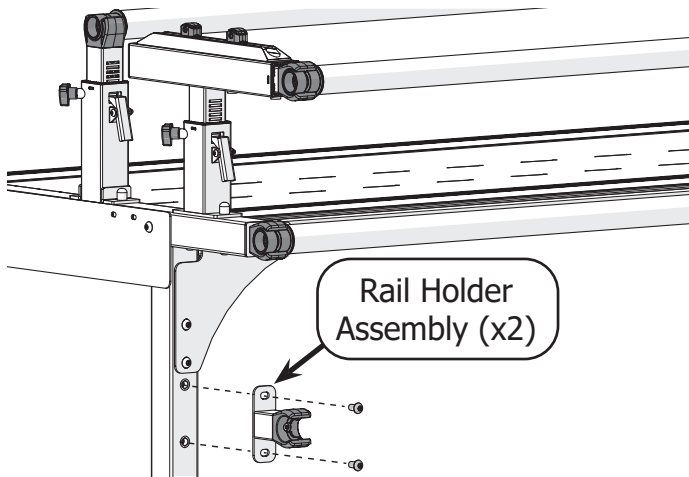


- 2 Screw the **non-ratcheting rail end** into the free end of the remaining **non-ratcheting rail section**.

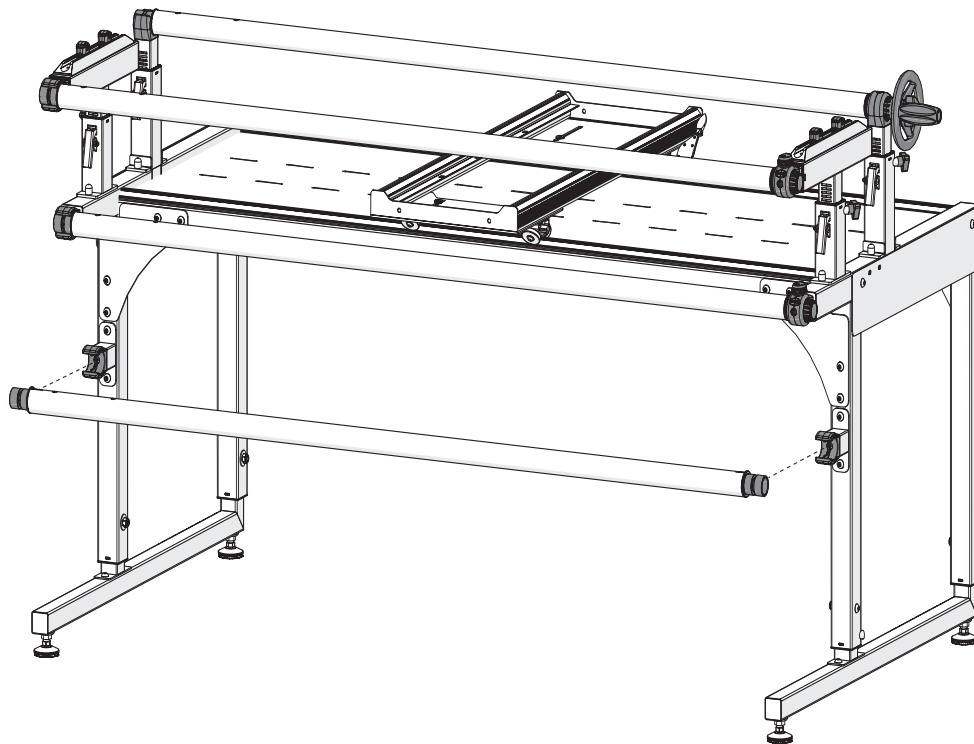


## Batting Rail - 4 Foot Frame

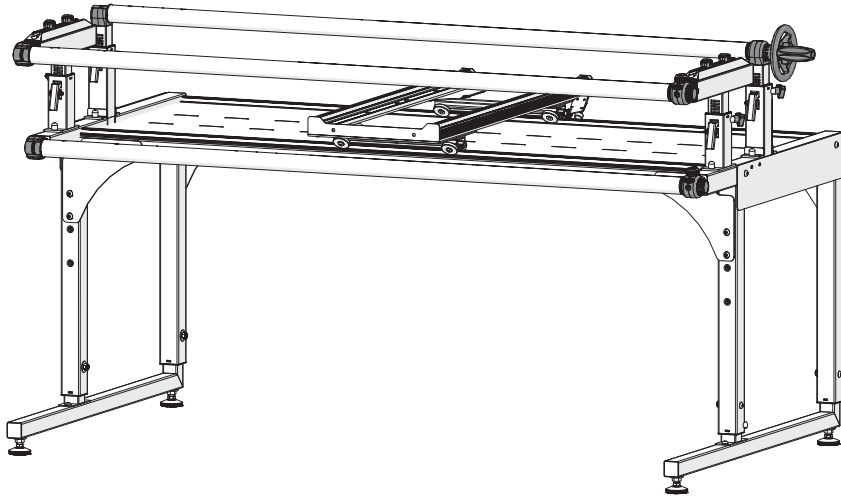
- 3 Install the **rail holder assemblies** onto the front of the frame legs using two **M8 x 16 mm SBHCS screws** each and a 5 mm Allen wrench.



- 4 Press batting rail into the rail holder assemblies.

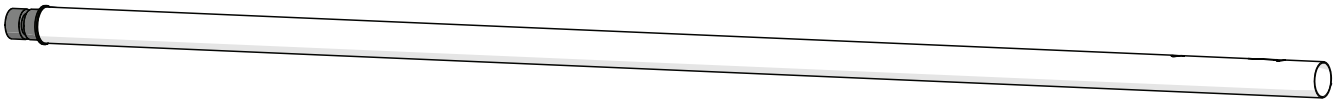


# 5 Foot



## Parts & Tools Needed:

**Non-ratcheting rail Section 4 ft (x2)**

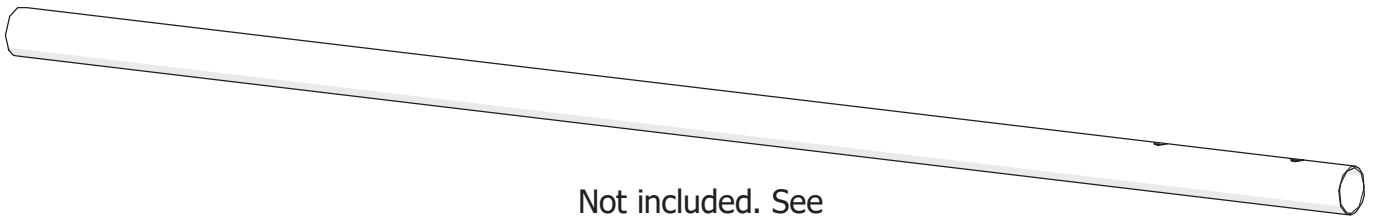


**Allen Wrench 6 mm**



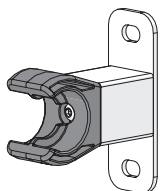
Not included. See  
base frame tools.

**Rail Section 5 ft**

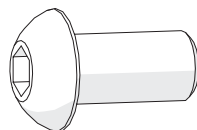


Not included. See  
base frame parts.

**Rail Holder  
Assembly (x2)**



**SBHCS  
M8 x 16 mm (x4)**



**Allen Wrench 5 mm**

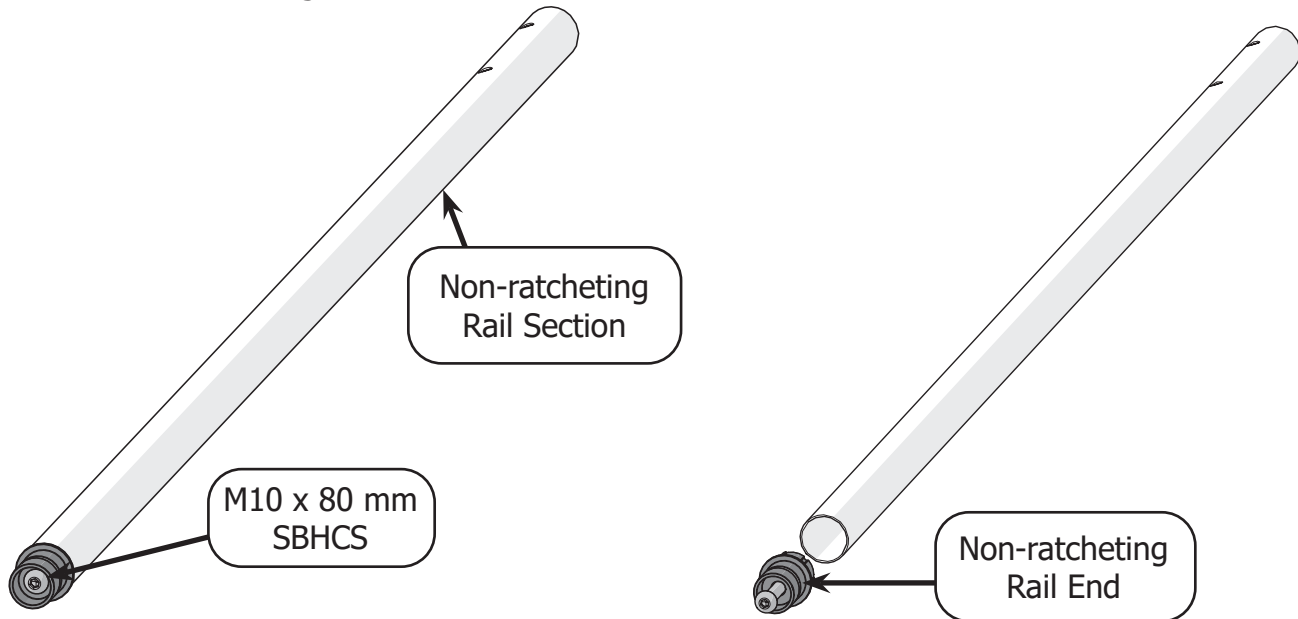


## Batting Rail - 5 Foot Frame

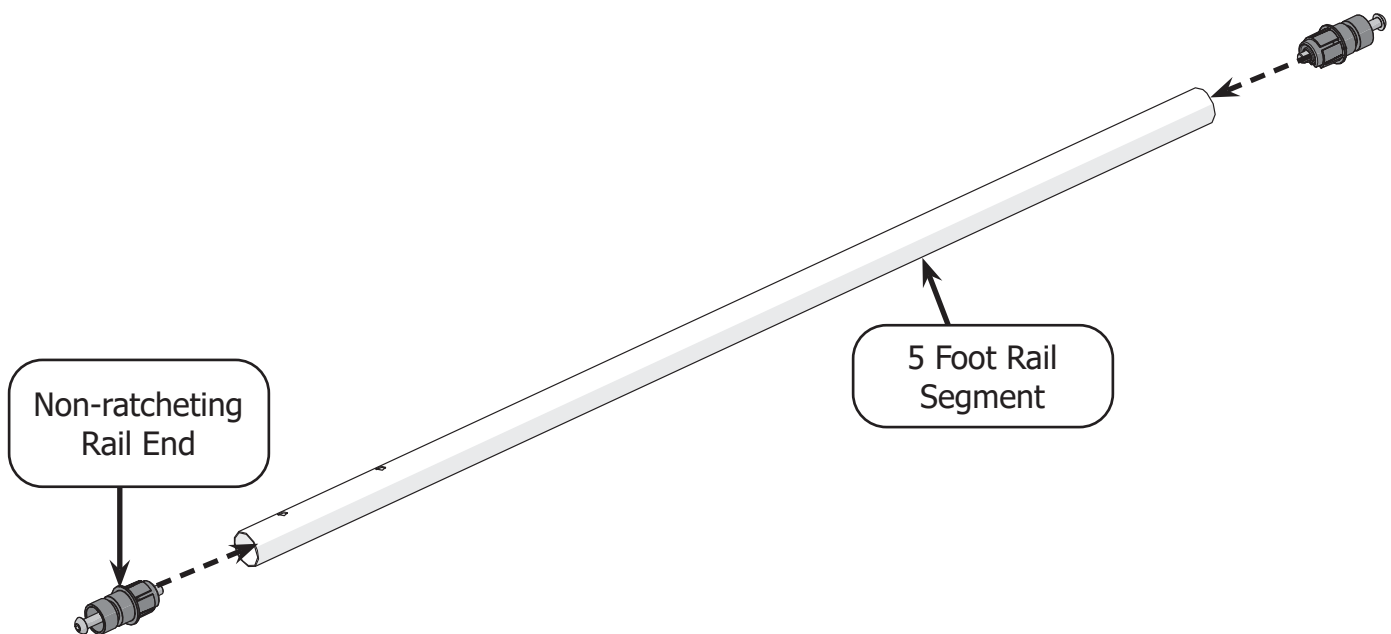
### Instructions

To assemble and install the batting rail on the 5 foot crib setup, take the following steps:

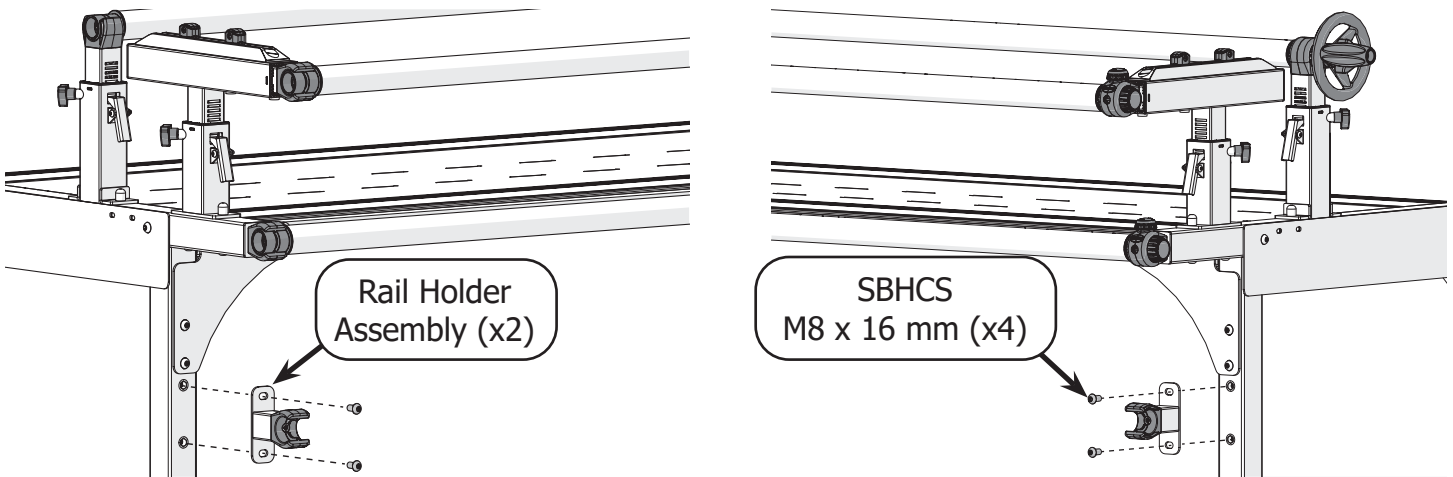
- 1 On both non-ratcheting rail sections:** Use the 6 mm Allen wrench that came with your base frame to loosen the **M10 x 80 mm SBHCS screw**. Remove the **non-ratcheting rail end** from the rail segment.



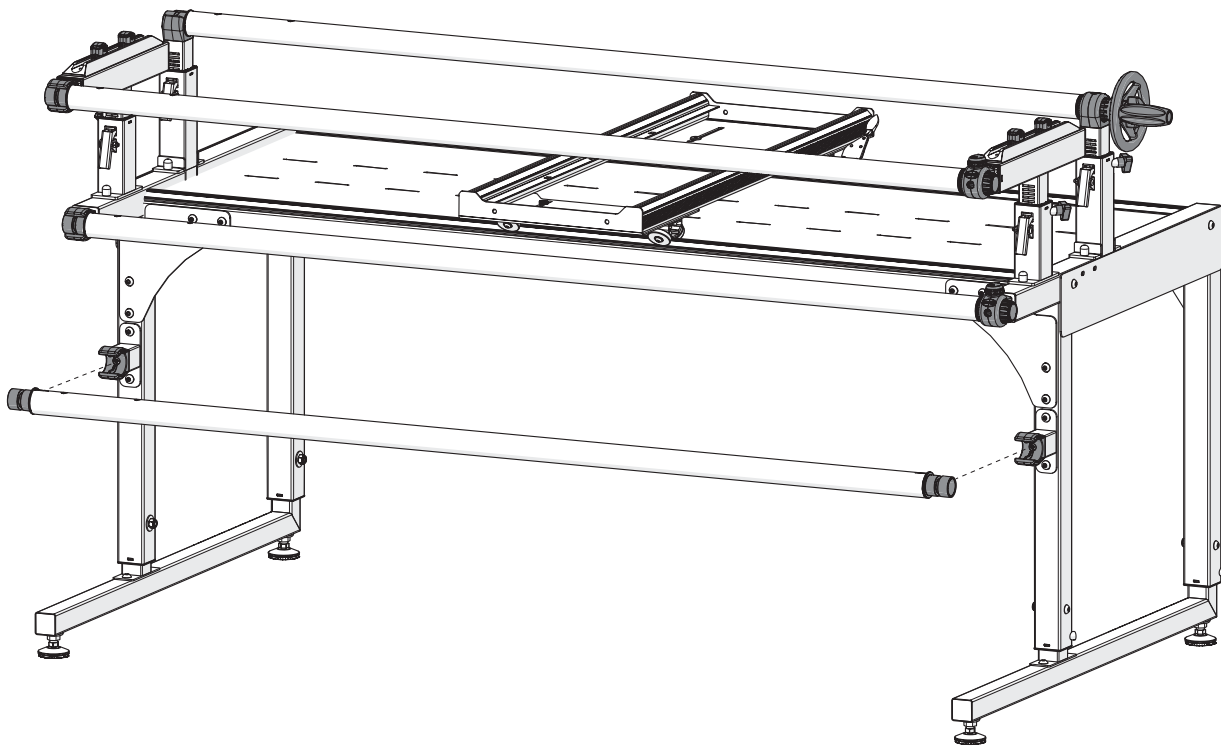
- 3 Use the 6 mm Allen wrench to screw the non-ratcheting rail ends to the free ends of one of the 5 foot rail segments** from your base frame.



- 4 Install the **rail holder assemblies** onto the front of the frame legs using two **M8 x 16 mm SBHCS screws** each and a 5 mm Allen wrench.



- 5 Press batting rail into the rail holder assemblies.



**The Grace Company**  
**2225 South 3200 West**  
**Salt Lake City, UT 84119**  
**Phone: 1-800-264-0644**  
**Fax: 801-908-8888**  
**[www.graceframe.com](http://www.graceframe.com)**

