

# Continuum Frame

## Idler Rail Instructions Version 2

**Table of Contents** ..... i

**Parts List**

    Parts List..... ii

**Setup & Assembly**

    Step 1: Disassembly..... 1

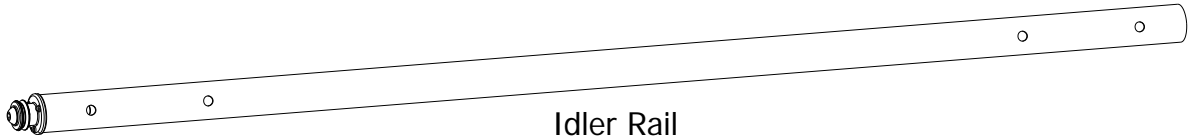
    Step 2: Idler Rail Bracket Assembly ..... 1

    Step 3: Re-install Ratchet Stop..... 3

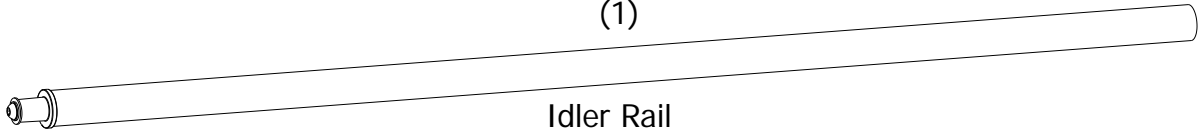
    Step 4: Idler Rail Assembly ..... 4

    Step 5: Rail Installation..... 5

**Parts List** | Idler Rail



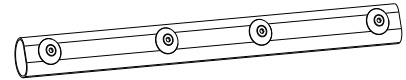
Idler Rail  
Fixed End  
(1)



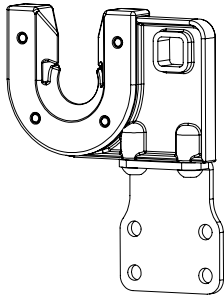
Idler Rail  
Floating End  
(1)



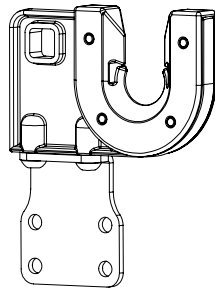
Idler Rail Middle  
Section  
(2)



Idler Rail  
Coupler  
(3)



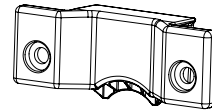
Left Top Rail  
Holder  
(1)



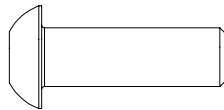
Right Top  
Rail Holder  
(1)



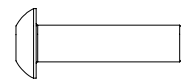
Top Rail Holder  
Bracket Spacer (2)



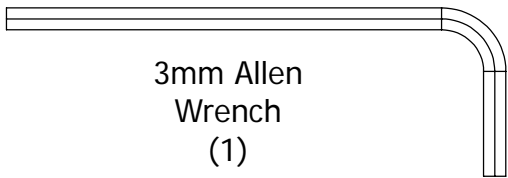
Rail Cap  
(2)



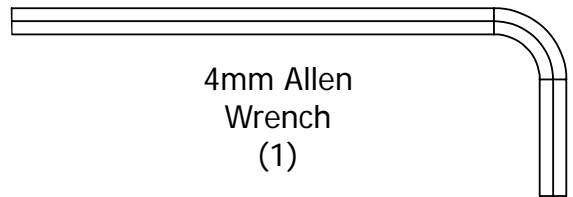
M8 x 16mm  
SBHCS (4)



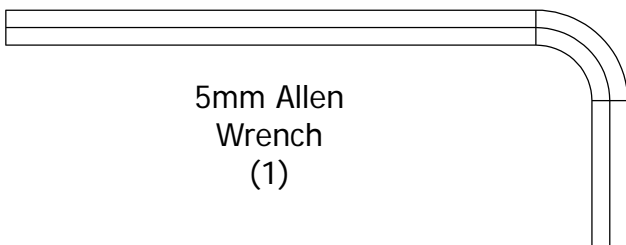
M5 x 20mm  
SBHCS (4)



3mm Allen  
Wrench  
(1)



4mm Allen  
Wrench  
(1)



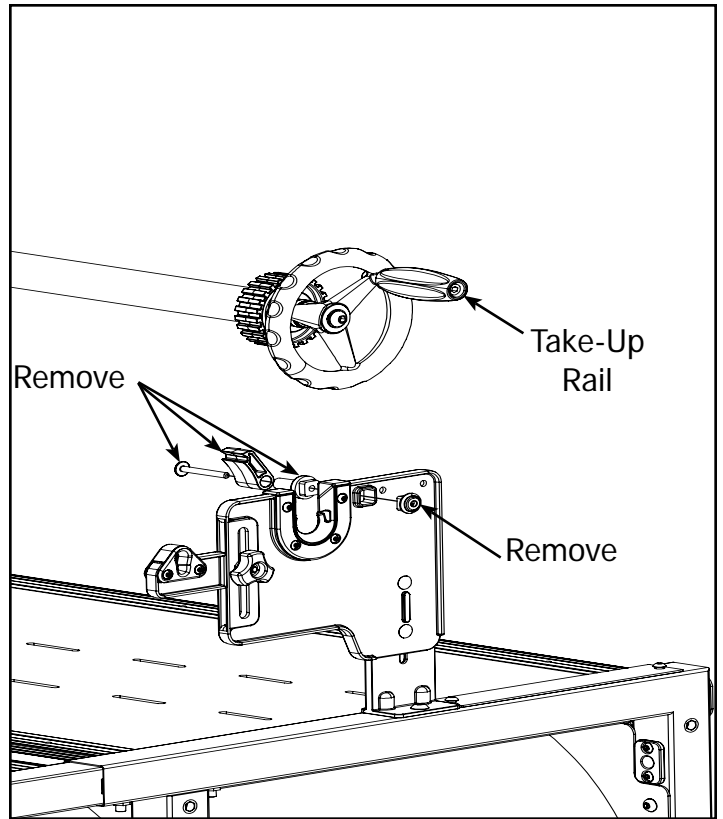
5mm Allen  
Wrench  
(1)

# Setup and Assembly

## Step 1 - Hand Rail and Ratchet Removal

Tools Needed:

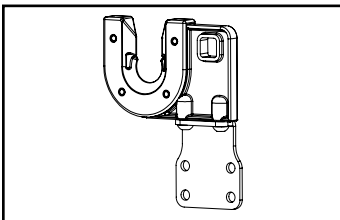
4mm Allen Wrench



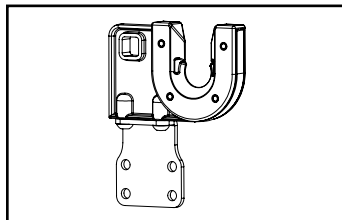
1-1 Remove Take-Up Rail and Ratchet Assembly, set aside.

## Step 2 - Idler Rail Bracket Assembly

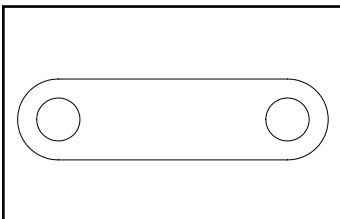
Parts Needed:



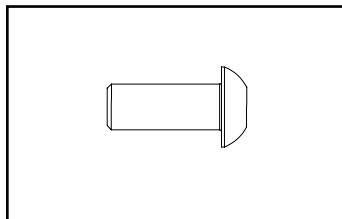
Left Top Rail Holder (1)



Right Top Rail Holder (1)



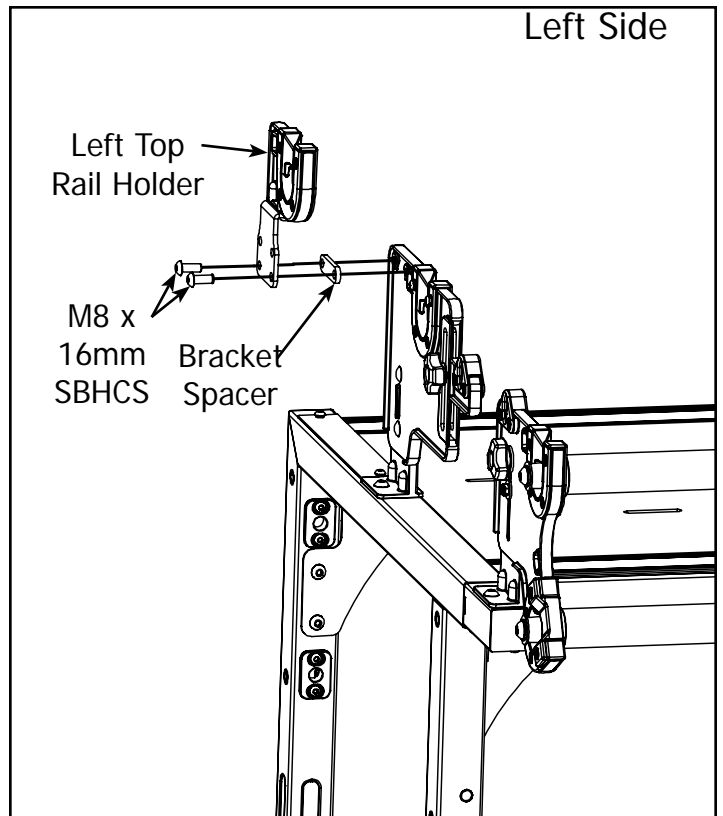
Top Rail Holder Bracket Spacer (2)



M8 x 16mm SBHCS (4)

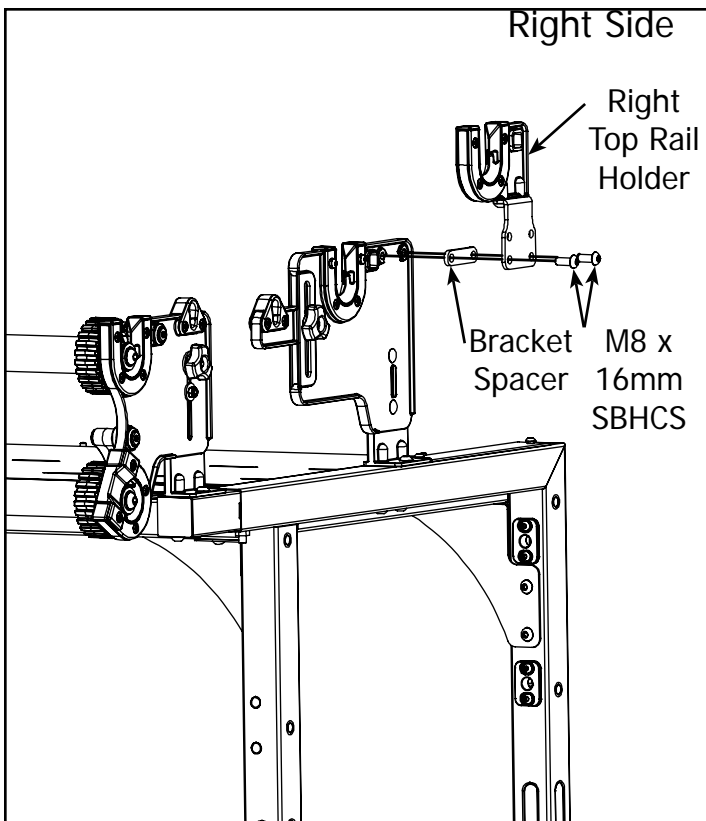
Tools Needed:

5mm Allen Wrench



2-1 Attach Left Top Rail Holder to Non-Ratchet Back Rail Support.

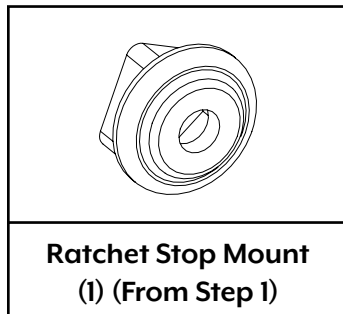
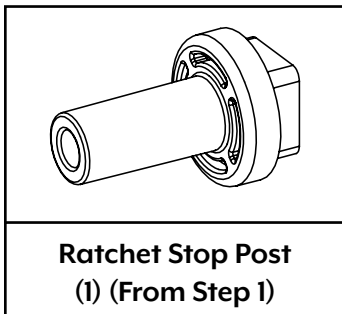
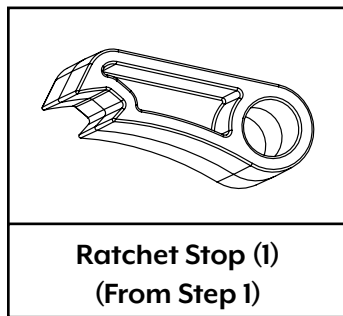
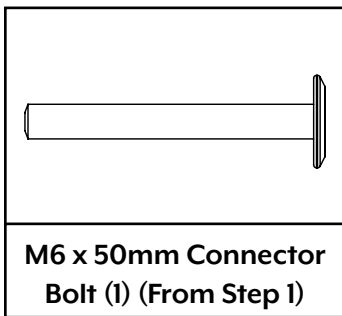
## Setup and Assembly



2-2 Attach Right Top Rail Holder to Ratchet Back Rail Support.

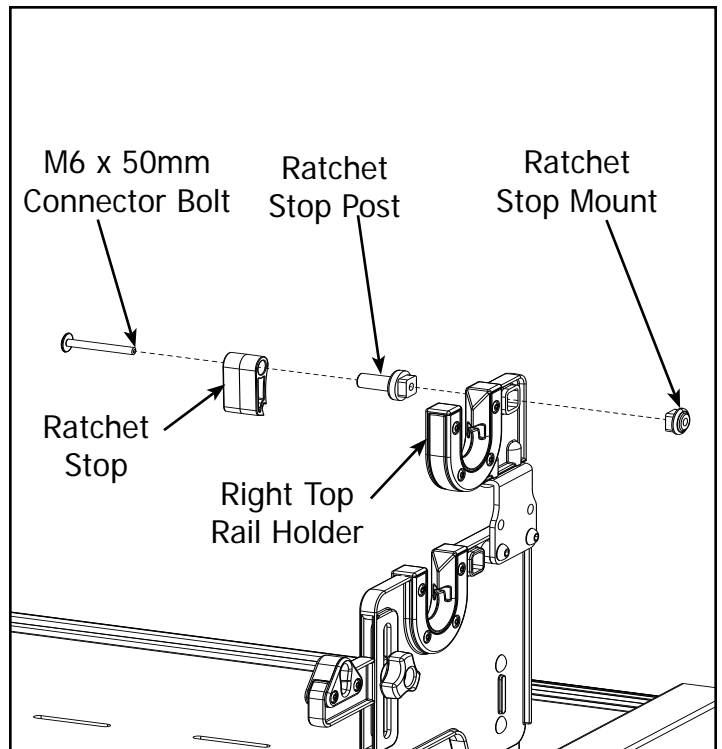
### Step 3 - Re-install Ratchet Stop

Parts Needed:



Tools Needed:

4mm Allen Wrench



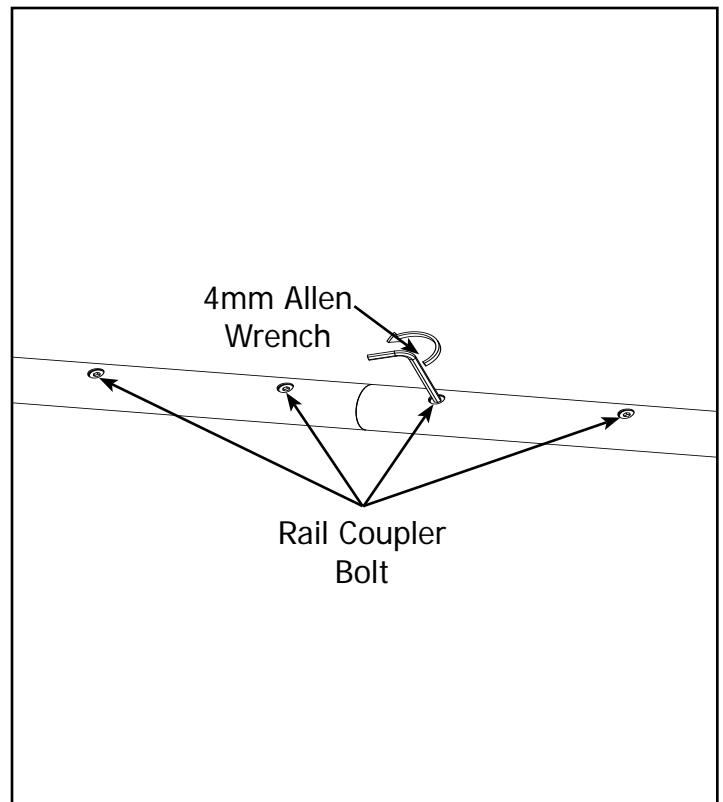
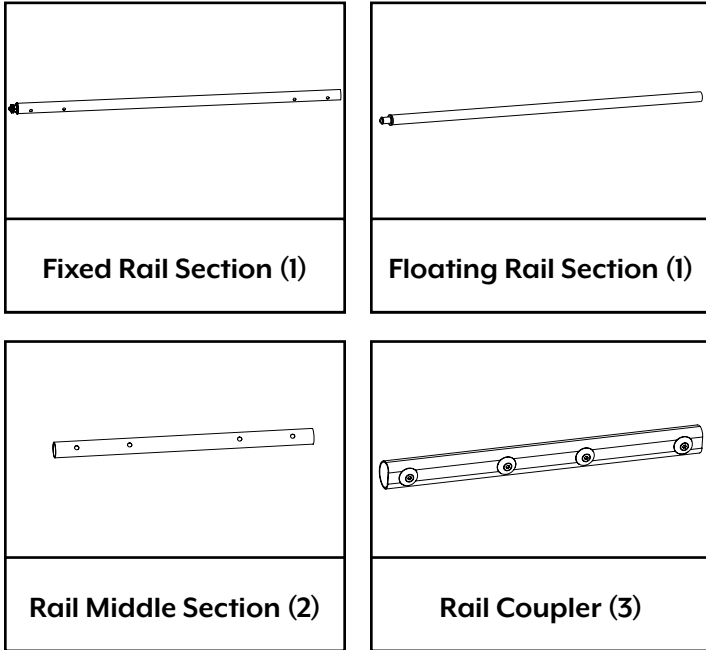
3-1 Install Ratchet Stop on Right Top Rail Holder as shown.

**Note:** Assemble with ratchet stop in orientation shown so the Ratchet will engage on the Take Up Rail.

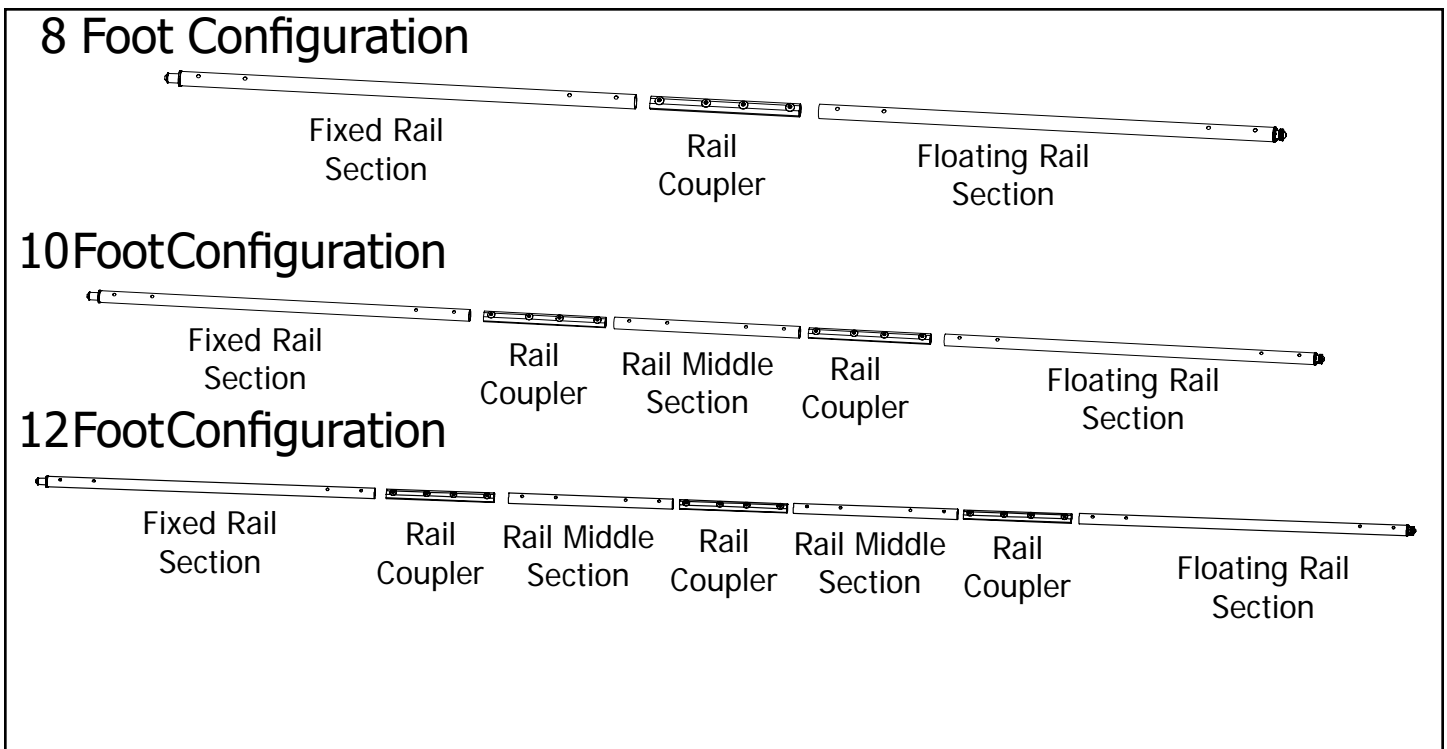
# Setup and Assembly

## Step 4 - Idler Rail Assembly

Parts Needed:



4-1 Slide Fixed End Rail Section onto Rail Coupler, tight against the appropriate Rail Section, and secure rail by backing screws out.



4-1a Assemble the Idler Rail for your frame configuration.

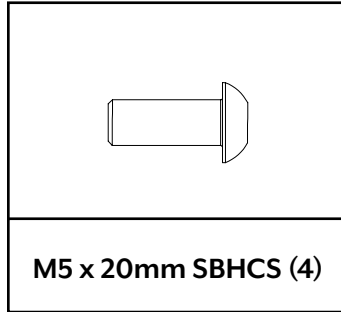
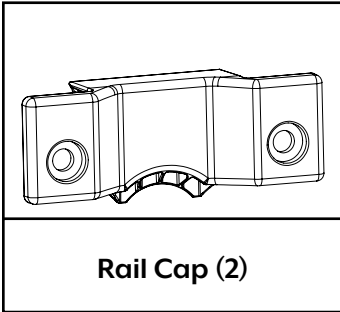
**Note:** Align holes and tighten on one side then repeat for other side.

**Skip Step 4 for the 4 Foot Configuration.**

## Setup and Assembly

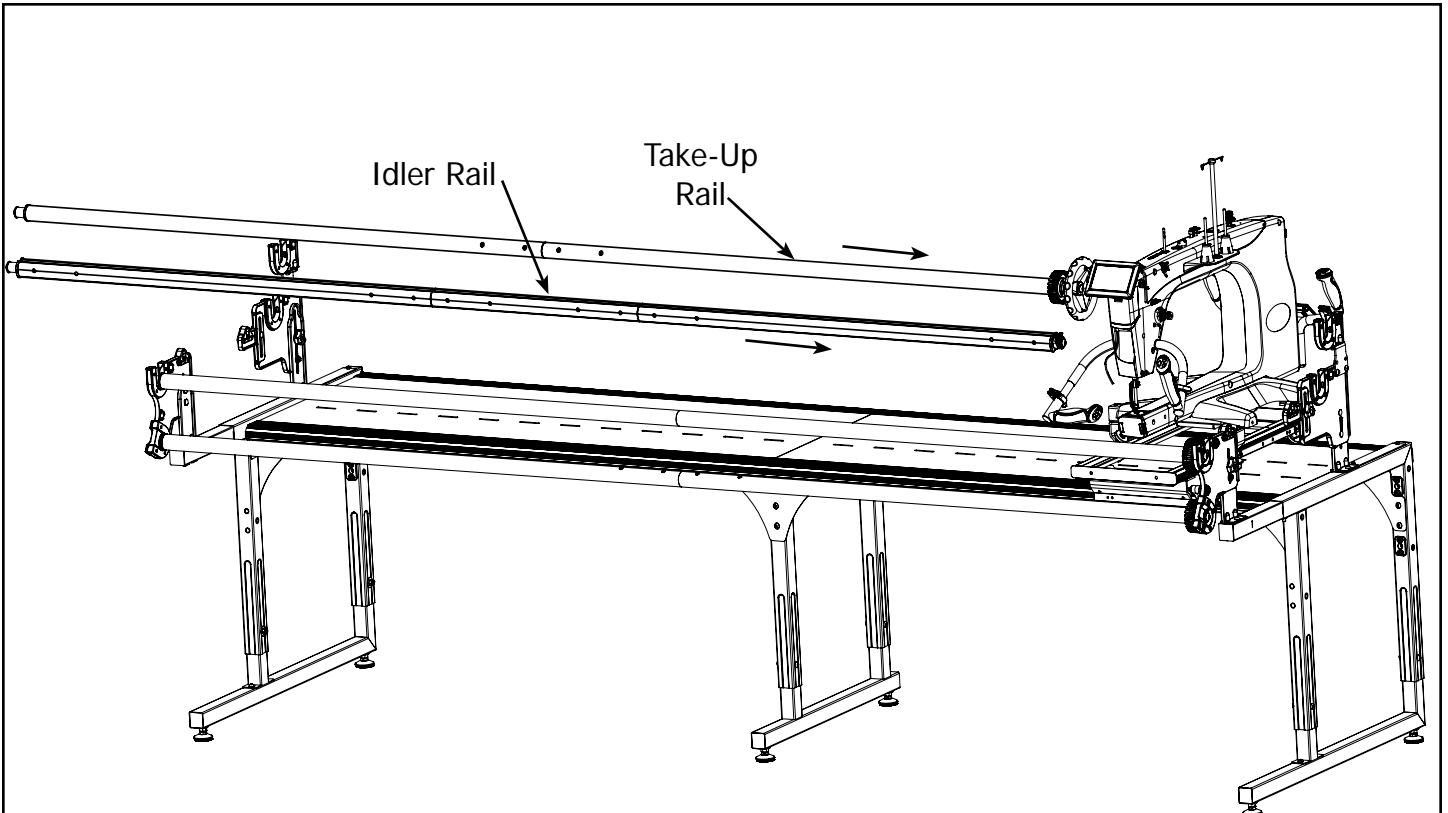
### Step 5 - Rail Installation

Parts Needed:



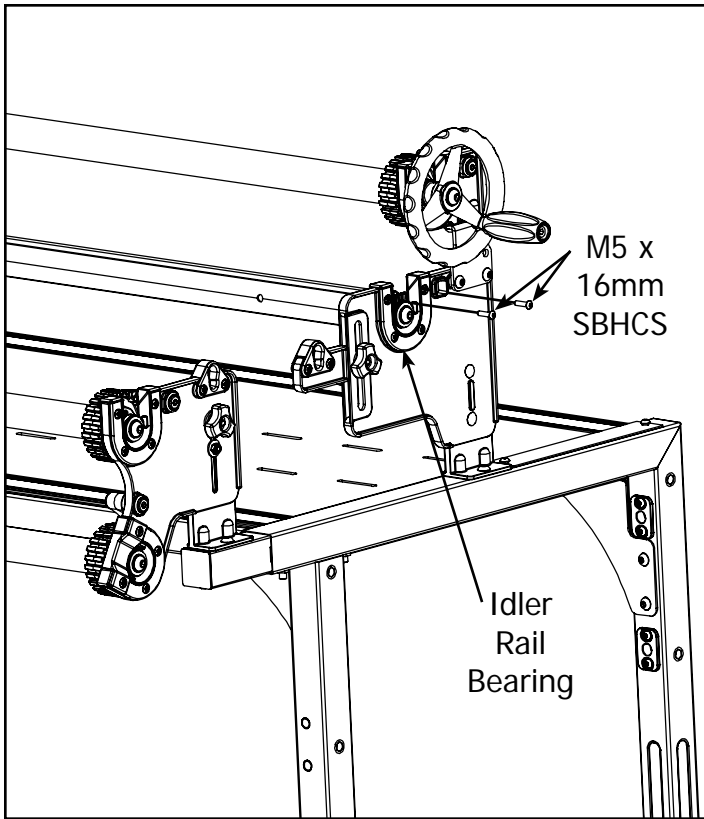
Tools Needed:

3mm Allen Wrench

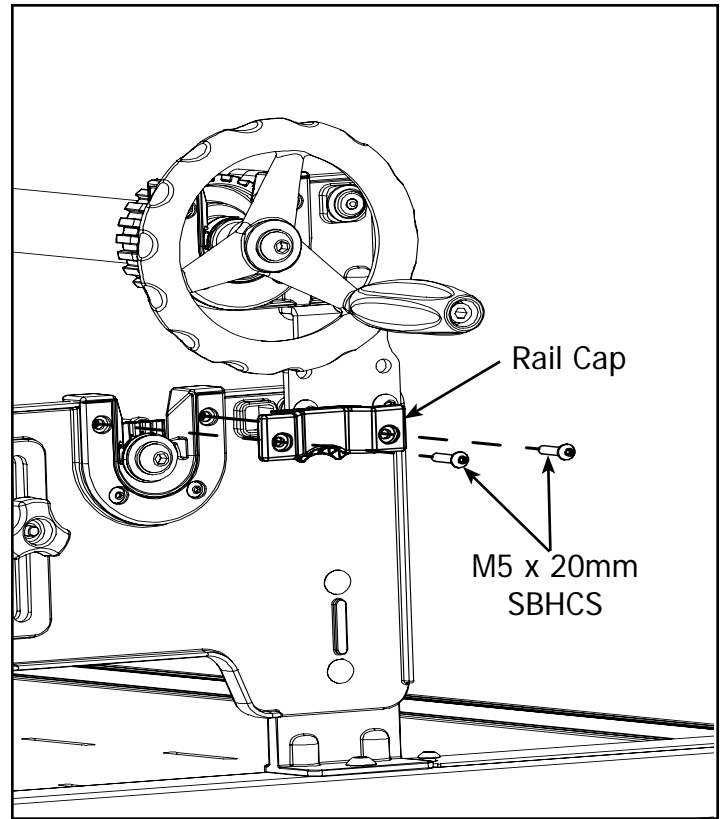


5-1 Install the Idler Rail and the Take Up Rail.

## Setup and Assembly



5-2 Remove the (2) upper M5 x 16mm SBHCS from the Idler Rail Bearing on the right and left sides.



5-3 Install Rail Caps on the left and right side of the Idler Rail.

**The Grace Company**  
**2225 South 3200 West**  
**Salt Lake City, UT 84119**  
**Phone: 1-800-264-0644**  
**[www.graceframe.com](http://www.graceframe.com)**

