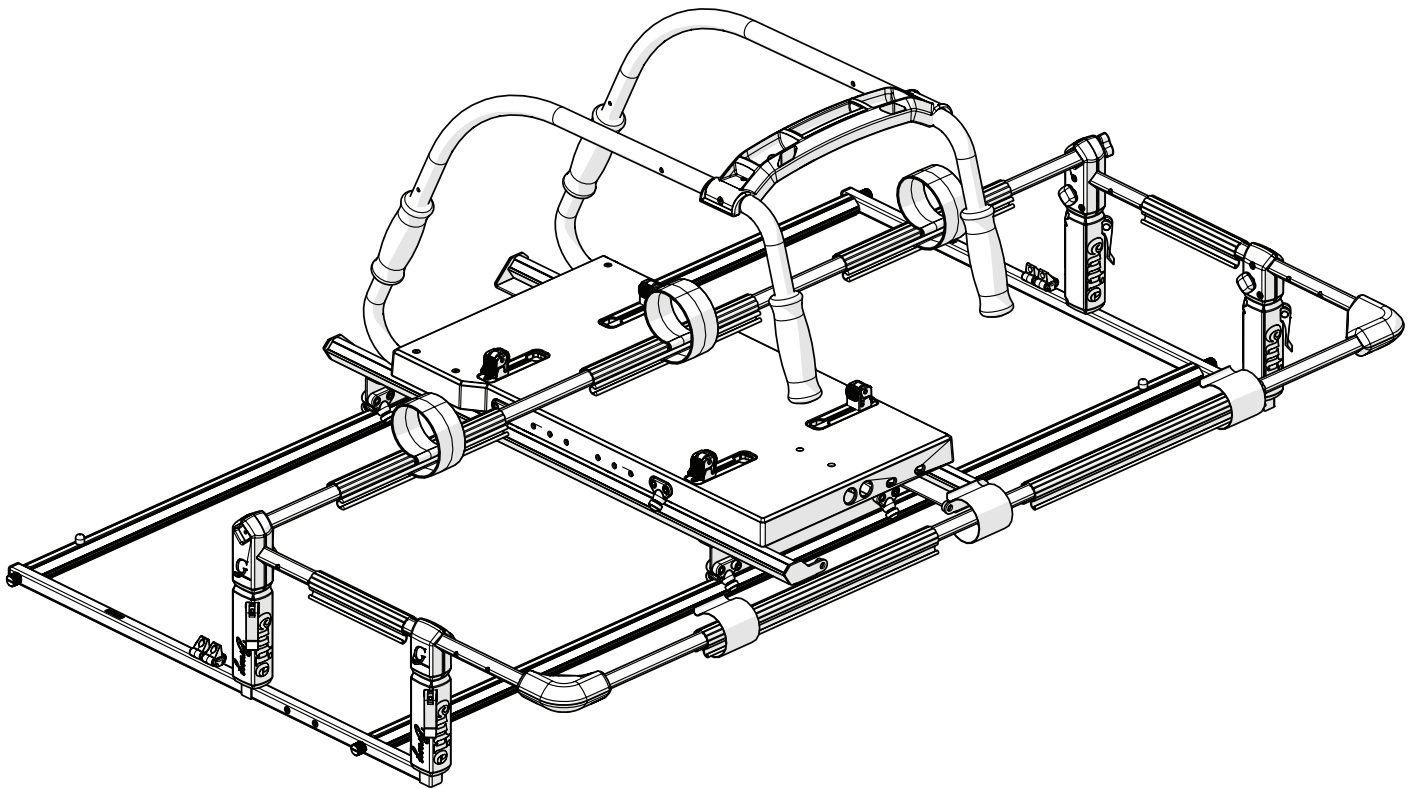


Cutie™ *Breeze*

Assembly & Use Instructions



My Frame Details

Use this page to record information about your frame. This will be helpful if you ever need to call a Grace Company support technician.

Frame Type: Cutie Breeze

Date of Purchase: _____

What Machine are You Using? _____

Select Which Frame Accessories You Have Purchased:

Precision Cloth Leaders

Gracie Laser

Quilter's Creative Touch
(QuiltMotion)

SureStitch

Pattern Perfect

SureStitch Elite

Power Strip Accessory

Luminess Light Bar

Speed Control

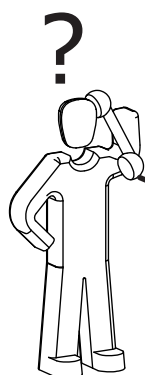
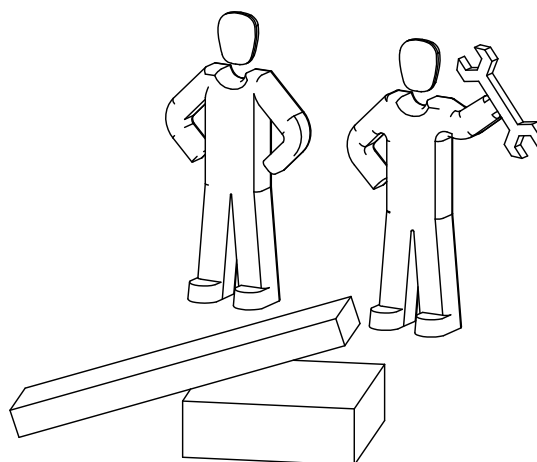
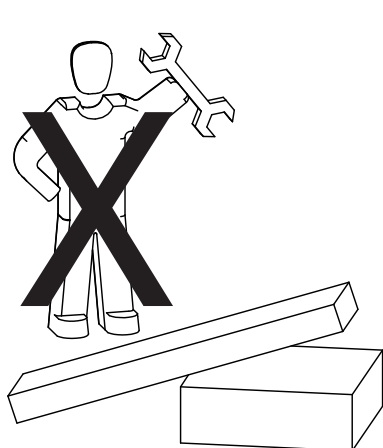
Bungee Clamps

Save these instructions.

The last page of this booklet is for you to write any notes you want.

Warranty Information

The Cutie Breeze Quilting Frame has a one-year limited warranty on all parts. Grace Company will repair or replace, at its discretion, any part with problems due to our manufacturing or defects in materials. This warranty does not cover parts damaged through misuse, improper storage, improper assembly, loss, natural events, and willful destruction. Parts must be returned to Grace Company, shipping prepaid, before we can repair or replace them. We will promptly return the repaired/replaced part at our expense if done within a year of the purchase date.



1-800-264-0644

Grace
COMPANY

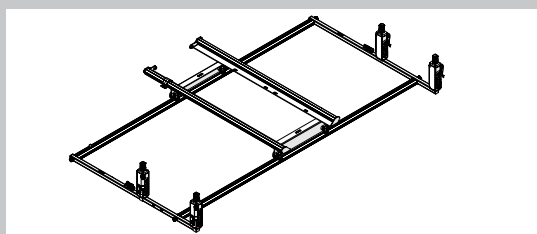
Welcome to Your Cutie Breeze Frame

We are pleased to introduce you to the newest part of your quilting setup. This frame has been especially designed to help quilters like you have the tools available to create quality projects.

This manual is broken into four parts. Notifications at the end of each part direct you to switch to your machine manual or Quilter's Creative Touch (QCT, formerly QuiltMotion) manual for instructions on assembling those products. This creates a streamlined process of building a complete quilting setup in the most efficient way. Use the following flowchart to guide you in navigating multiple manuals. If you are not using one of the products in the flowchart, just move to the next item in the chart.

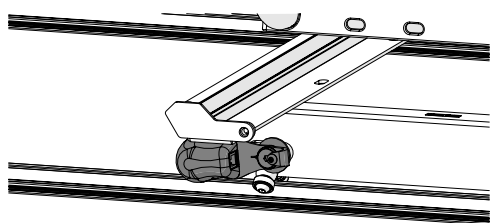
Thank you again for choosing us to help your quilting projects. We look forward to working with you.

- Grace Company



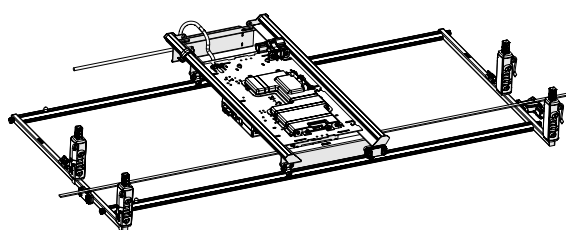
Start Here: Frame Manual: Part One

- Assemble the frame's tracks and sides.
- Install the carriage bumpers on the tracks.
- Align your tracks.



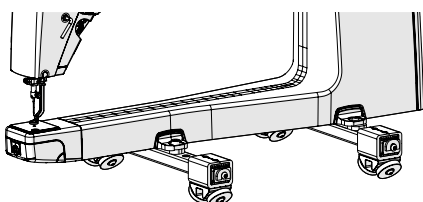
Quilting Machine Manual: Part One

- Install the lower encoder onto the bottom carriage.



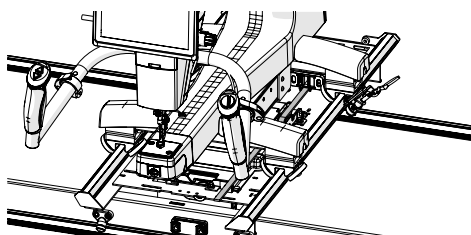
QCT Manual: Part One

- Prepare the bottom carriage.
- Install the long belt across the frame.



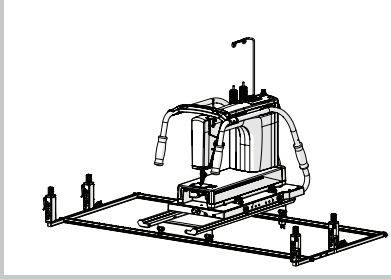
Quilting Machine Manual: Part Two

- Install your machine's wheels.
- Align your wheels.



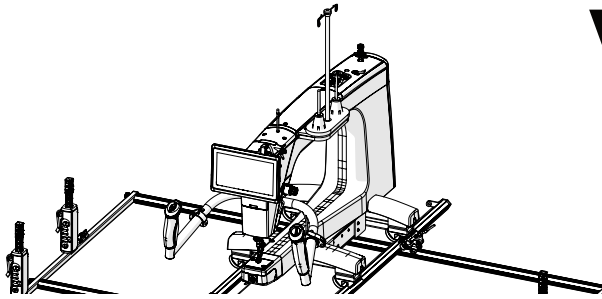
QCT Manual: Part Two

- Install the short belt.
- Tension the short belt.



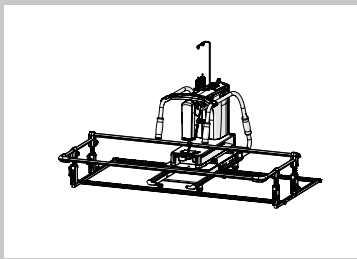
Frame Manual: Part Two

- Prepare the top plate and wheel-less quilting machine.
- Place the machine or top plate on the frame.



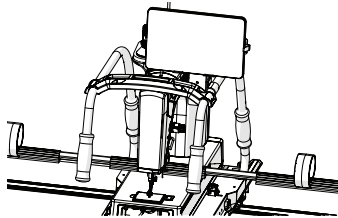
Quilting Machine Manual: Part Three

- Install the wheel covers, display, handles, and thread mast.
- Install the upper encoder.



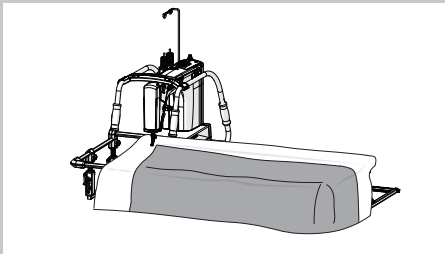
Frame Manual: Part Three

- Install the rails.
- Position and adjust the rails.
- Adjust the carriage stop.



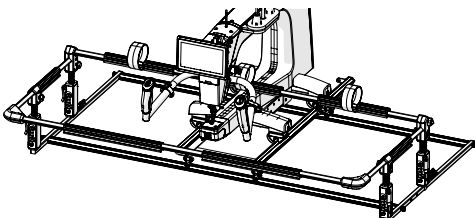
QCT Manual: Part Three

- Install the tablet bracket.
- Plug in QuiltMotion.



Frame Manual: Part Four

- Attach the fabric.
- Prepare to quilt.
- Move zones.



Quilting Machine Manual: Part Four

- Use the quilting modes and settings in the display.
- Maintain the machine and perform repairs.

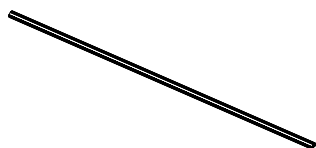
Table of Contents

Warranty Information.....	i
Welcome to Your Cutie Breeze Frame.....	ii
Included Parts and Tools	v
Part One	1
Task 1 - Attaching the Tracks to the Side Walls	2
Task 2 - Aligning the Tracks with the Bottom Carriage	5
Part Two	10
Task 3 - Attaching the Handles to the Top Plate	11
Task 4 - Installing Your Machine.....	15
Part Three.....	19
Task 5 - Adjusting the Rail Holders.....	20
Task 6 - Attaching the Front Rail	22
Task 7 - Installing and Adjusting the Take-Up Rail	25
Task 8 - Managing the Foot Pedal Cable	30
Task 9 - Changing the Location of the Carriage Stop Clip	35
Task 10 - Adjusting the Carriage Stops.....	37
Part Four.....	39
Task 11 - Preparing Your Sewing Machine for Quilting	40
Task 12 - Preparing Your Quilt	41
Task 13 - Attaching Your Quilt.....	43
Task 14 - Tacking Down Your Quilt.....	47
Task 15 - Marking the Safe Area	48
Task 16 - Starting and Ending Your Designs.....	52
Task 17 - Moving Your Quilt to a Different Zone	58
Accessories - Encoder Installation	61
Notes.....	65

Included Parts and Tools

Main Box

Track (x2)



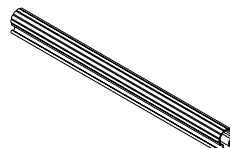
QTT-09-17759

Front Rail



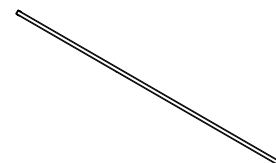
QTT-09-17750

**Front Fabric Clamp
(x2, on Front Rail)**



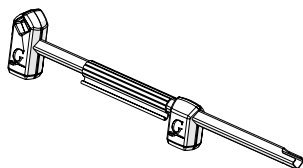
QTT-05-17695

Take-Up Rail



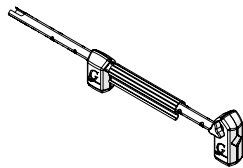
QTT-04-17703

Rail Holder (Left)



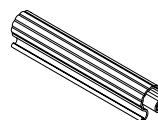
QTT-09-17761

Rail Holder (Right)



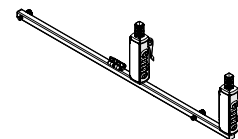
QTT-09-17758

**Side Fabric Clamp
(x2, on Rail Holders)**



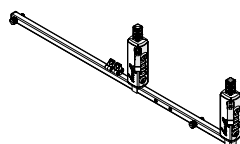
QTT-05-17697

Side Wall (Right)



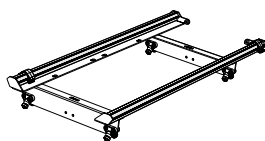
QTT-09-17760

Side Wall (Left)



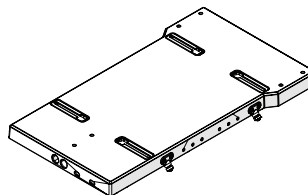
QTT-09-17752

Bottom Carriage



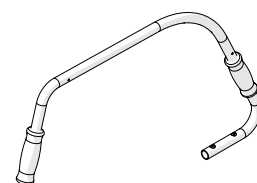
QTT-09-17753

Top Plate



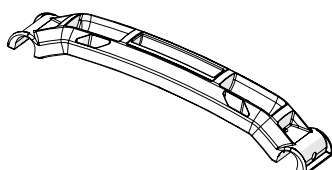
QTT-09-17757

Handle (x2)



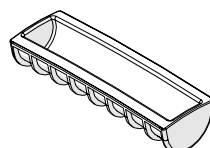
QTT-09-17762

Handle Bracket



QTT-09-17751

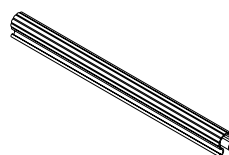
**L-Class Bobbin Holder
(in Handle Bracket)**



QTT-05-17732

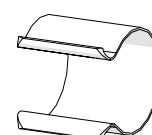
Accessory Box 1

**Back Fabric Clamp
(x3)**



QTT-05-17696

**Mini Clips
(x3)**

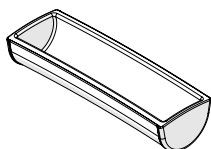


PLA-05-11593

Included Parts and Tools (continued)

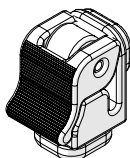
Accessory Box 1 (continued)

**M-Class
Bobbin Holder**



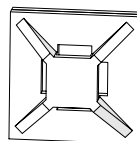
QTT-05-17731

**Sewing Machine
Clamp (x4)**



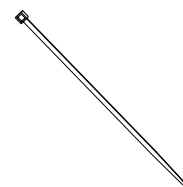
QTT-09-17756

Zip Tie Mount



MIS-08-10805

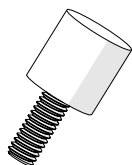
Zip Tie (x2)



MIS-08-10804

Hardware Bag (in Accessory Box 1)

**Threaded Rubber
Bumper M4 (x2)**



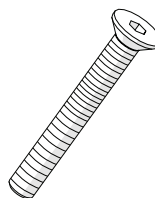
HDW-03-17885

**Socket FHS
M4 x 35 mm (x2)**



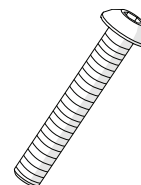
HDW-03-17868

**Socket FHS
M4 x 16 mm (x4)**



HDW-03-12124

**SBHCS
M4 x 25 mm (x2)**



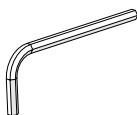
HDW-03-12240

Securing Pin (x4)



QTT-05-17734

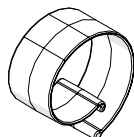
**Allen Wrench
2.5 mm**



HDW-03-10165

Accessory Box 2

Coil Clamp (x3)



QTT-05-17733

Part One

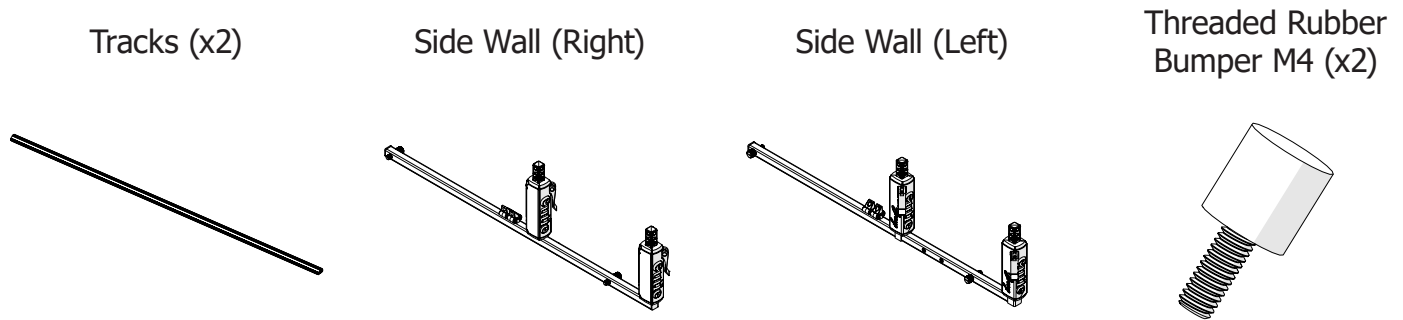
Complete Part One of these instructions before assembling your quilting machine or any accessories.

At the end of each part, you will be instructed to switch to specific sections of your machine manual or accessory manuals. If you've purchased those products and are preparing to install them, go to the specified sections in those manuals. If you are not using those products, simply skip those sections and continue in this manual.

Task 1 - Attaching the Tracks to the Side Walls.....	2
Task 2 - Aligning the Tracks with the Bottom Carriage	5

Task 1 - Attaching the Tracks to the Side Walls

Parts & Tools Needed



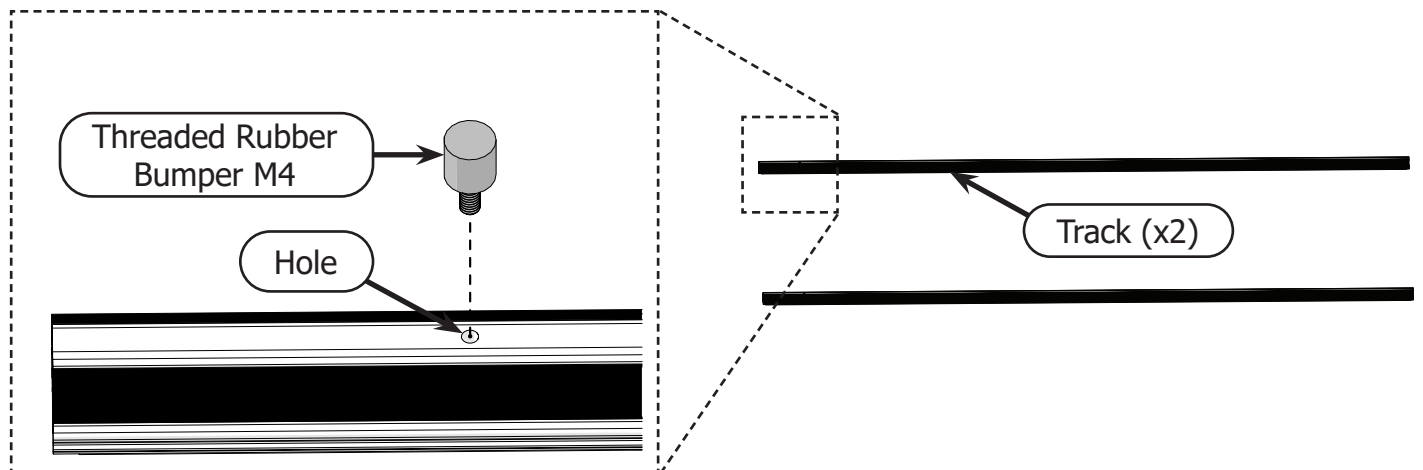
Instructions

When fully assembled, the Cutie Breeze frame is 52 inches (4 feet 4 in.) across, and 27 inches deep. However, you can use a work surface that is 23 inches deep, which is the distance between the two tracks, as some of the frame can hang over the edge of your work surface without any issues.

After you finish task 1, you will know the size of the frame and can confirm that your work surface is the correct size.

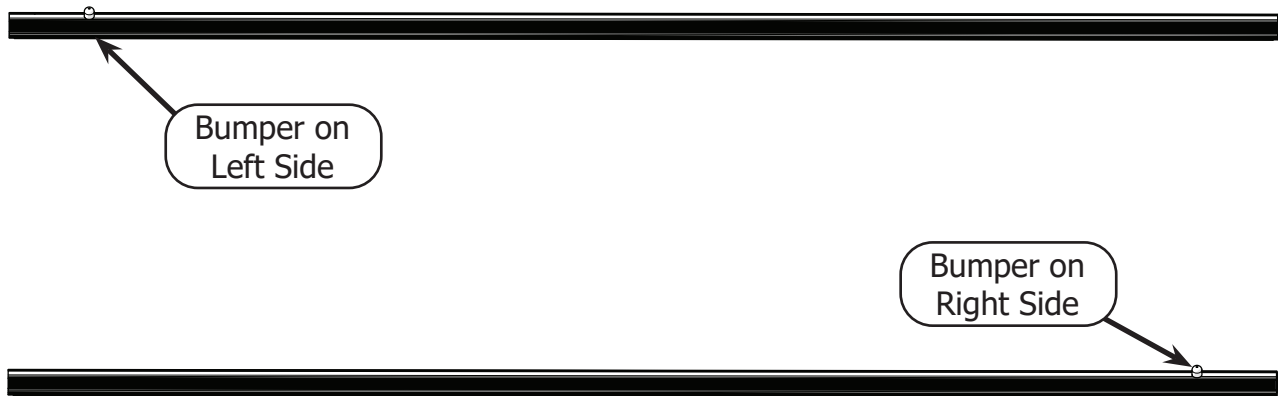
Take the following steps to attach the tracks to the side walls:

- 1 Locate the **hole** on each **track**. Use your hand to screw an **M4 threaded rubber bumper** into both holes.

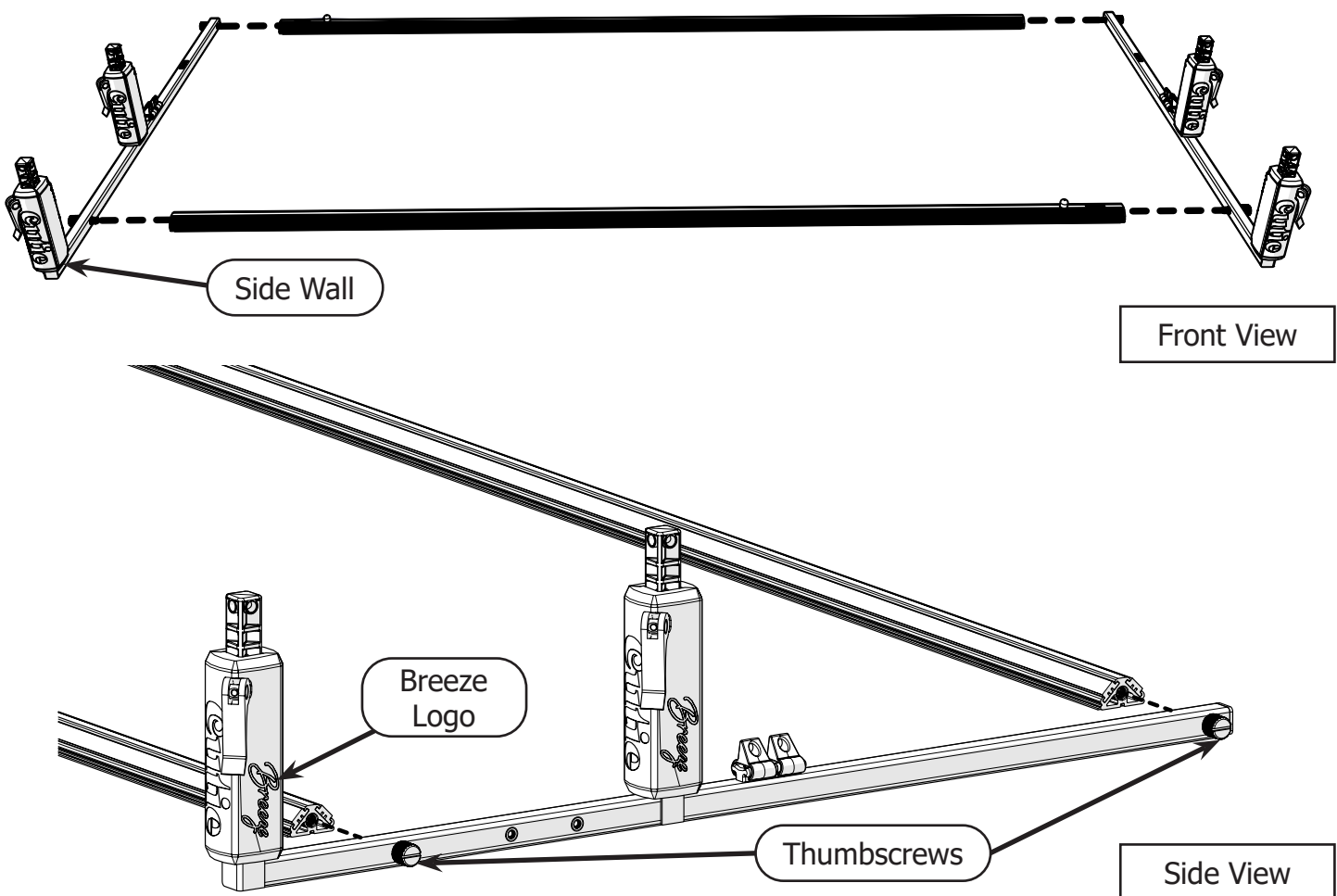


Task 1 - Attaching the Tracks to the Side Walls (continued)

- 2 Lay one track down with the **bumper on the left side**, and then lay the other track down parallel to the first with the **bumper on the right side**. The track with the bumper on the right side is now the front track.

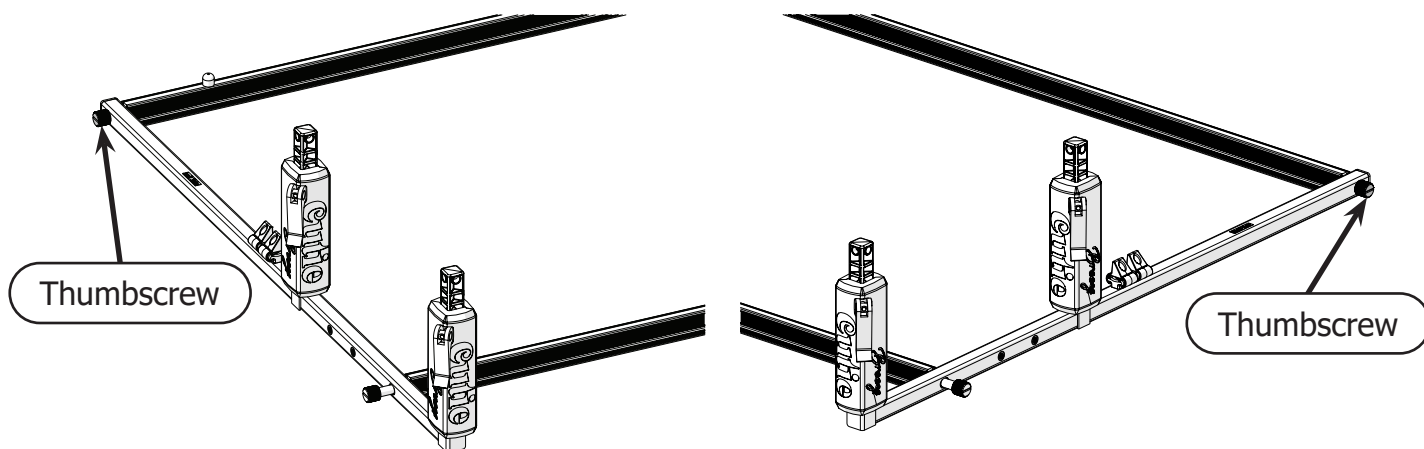


- 3 Align the holes in the ends of the tracks with the pre-installed **side wall thumbscrews**. The **Breeze logo** faces outward on the walls.

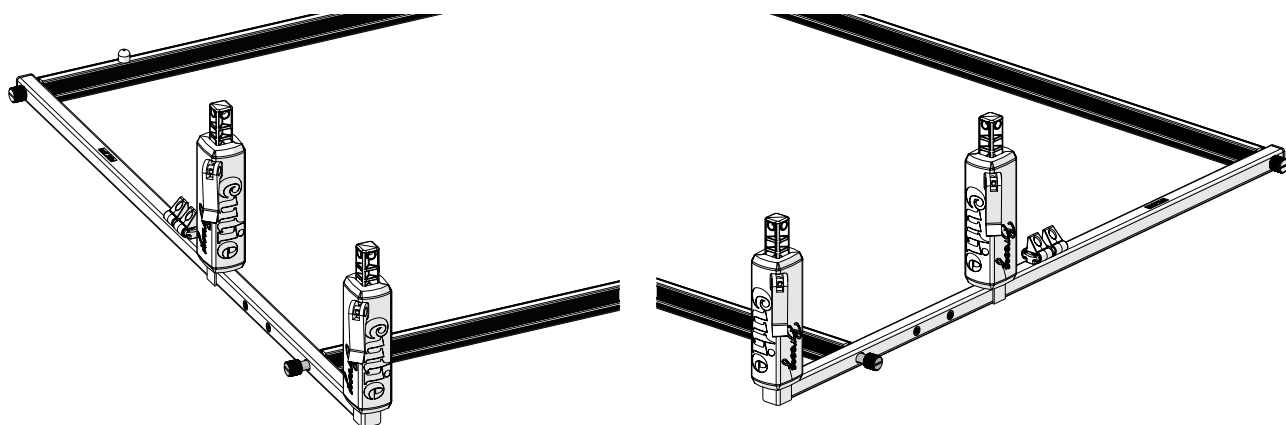


Task 1 - Attaching the Tracks to the Side Walls (continued)

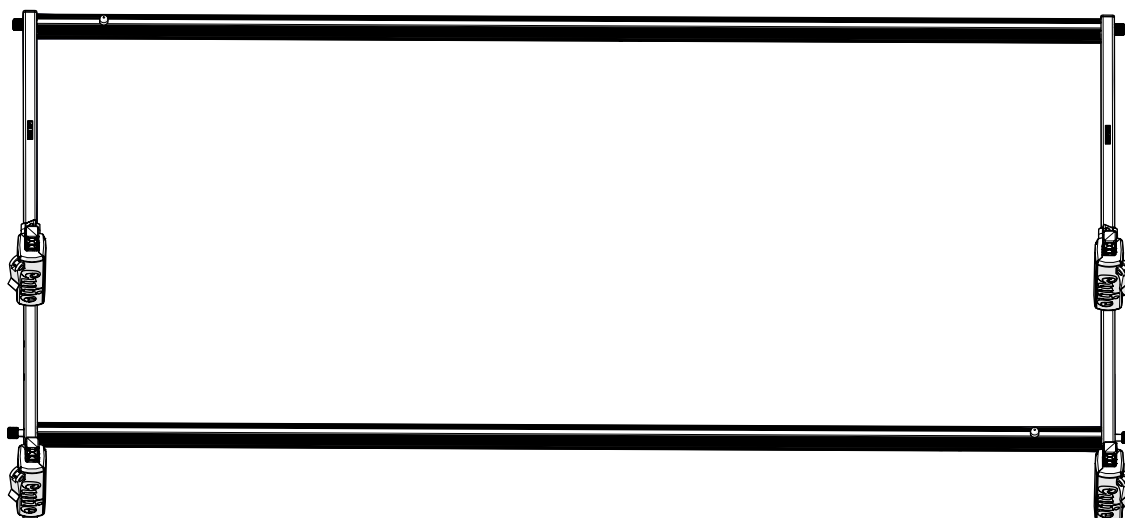
- 4 Fully tighten the attached **thumbscrew** in the *back* of each side wall to secure the side walls to the back track.



- 5 Loosely tighten the attached thumbscrew in the *front* of each side wall to connect the side walls to the front track. You will tighten the front screws in task 2.



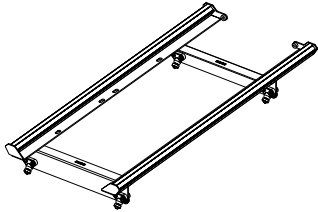
- 6 **Task Result:** The side walls are attached to the tracks.



Task 2 - Aligning the Tracks with the Bottom Carriage

Parts & Tools Needed

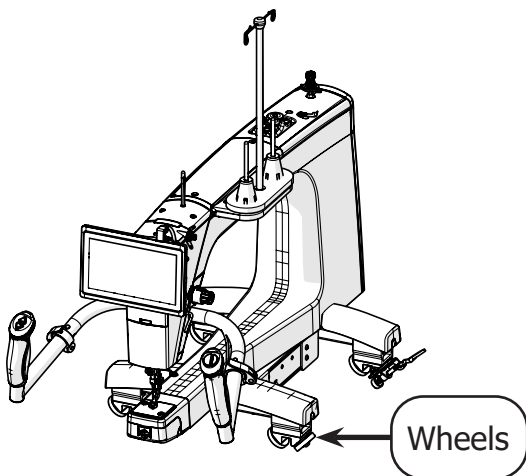
Bottom Carriage



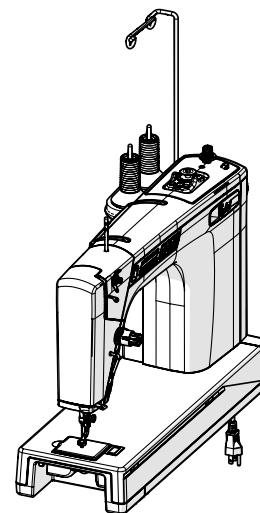
Instructions

Take the following steps to install the bottom carriage and to align the tracks with the bottom carriage. **Note:** As you start this task, make sure that the thumbscrews on the front track are only loosely screwed in.

- 1 The orientation of the bottom carriage is partially determined by the type of machine you are using with your frame. Look at your machine, and make sure you know which type of machine it is:
 - If your machine has **wheels** attached to the machine itself, and is designed primarily as a quilting machine, then your machine is a wheeled quilting machine. When this manual uses the phrase “wheeled machine” or “wheeled quilting machine,” pay attention, as that information applies to your machine.
 - If your machine does not have wheels, and either is designed primarily as a sewing machine or is designed to be both a sewing and quilting machine, then your machine is a wheel-less quilting machine. When this manual uses the phrase “wheel-less quilting machine” or “wheel-less sewing machine” or “wheel-less machine,” pay attention, as that information applies to your machine.



Wheeled Quilting Machine Example



Wheel-less Quilting Machine Example

Task 2- Aligning the Tracks with the Bottom Carriage (continued)

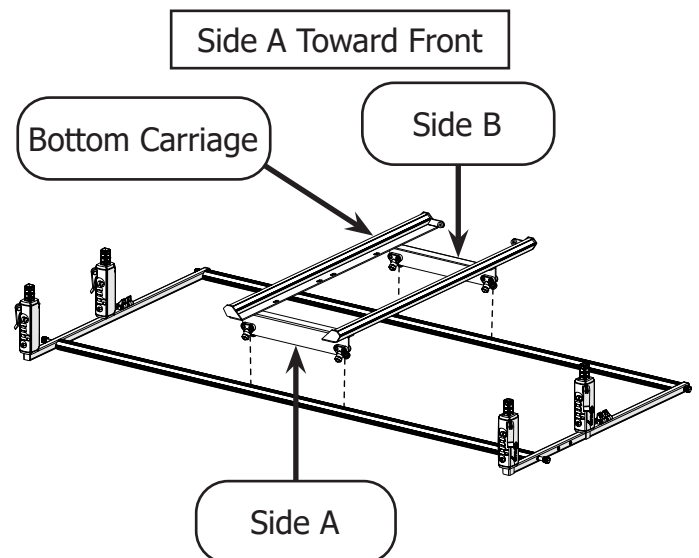
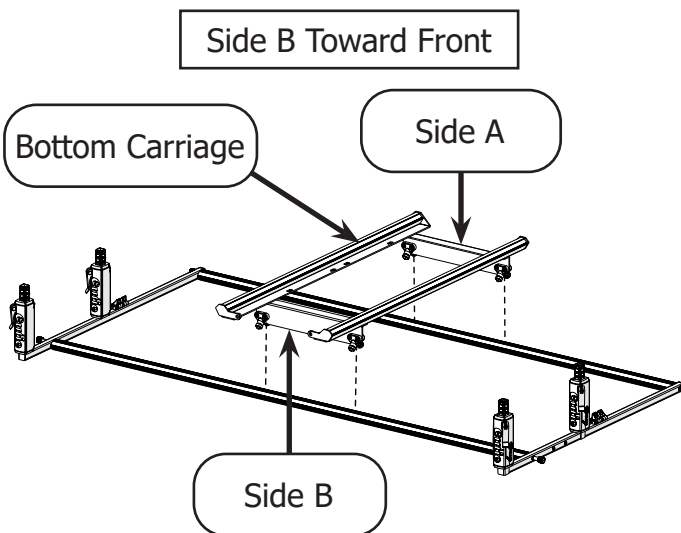
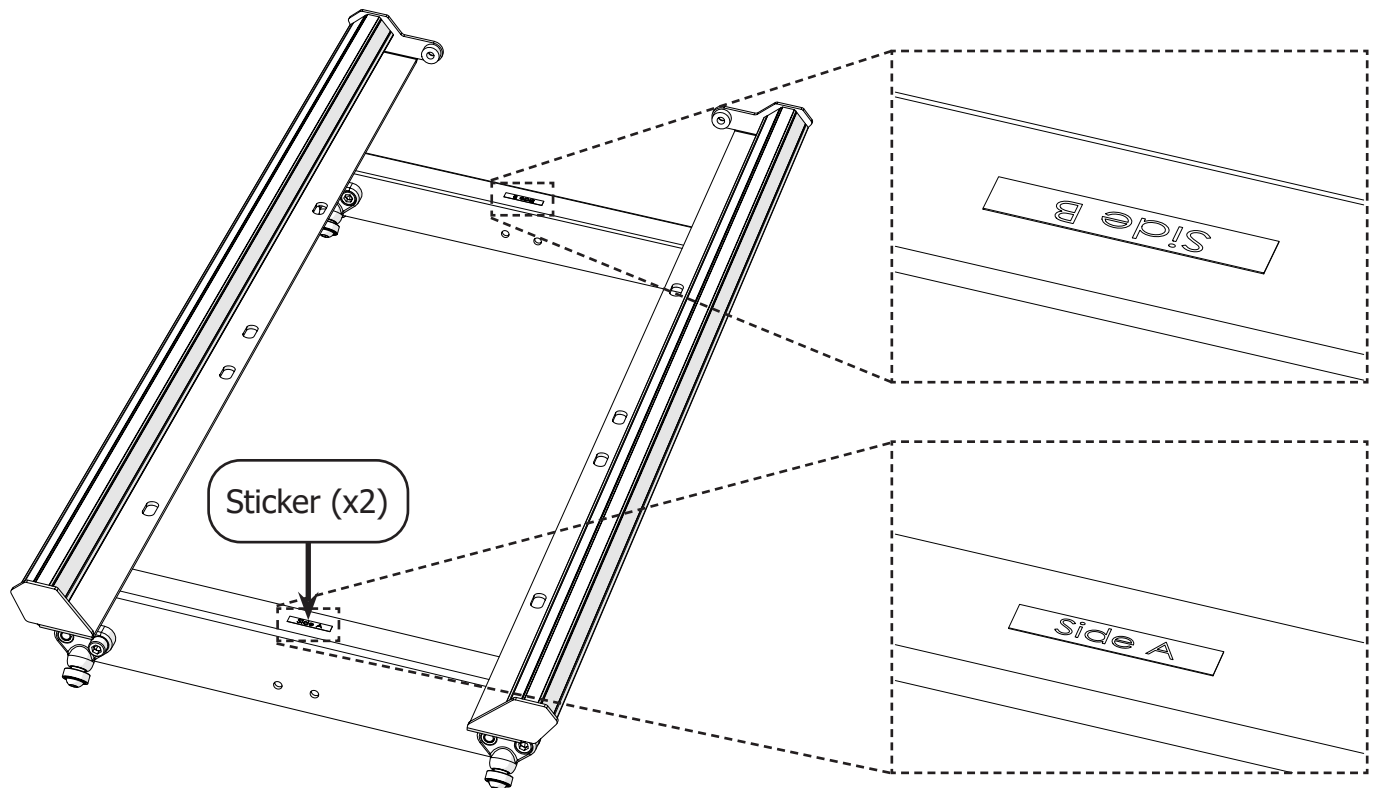
- 2 Set the **bottom carriage** on the tracks. Use the **stickers** on the bottom carriage to identify the sides. The orientation of the bottom carriage is determined by how you are using your frame and what type of machine you have.

Use **Side A** in the front if:

- You are using Quilter's Creative Touch (QCT, formerly QuiltMotion) with any kind of machine.
- You have a wheeled quilting machine.

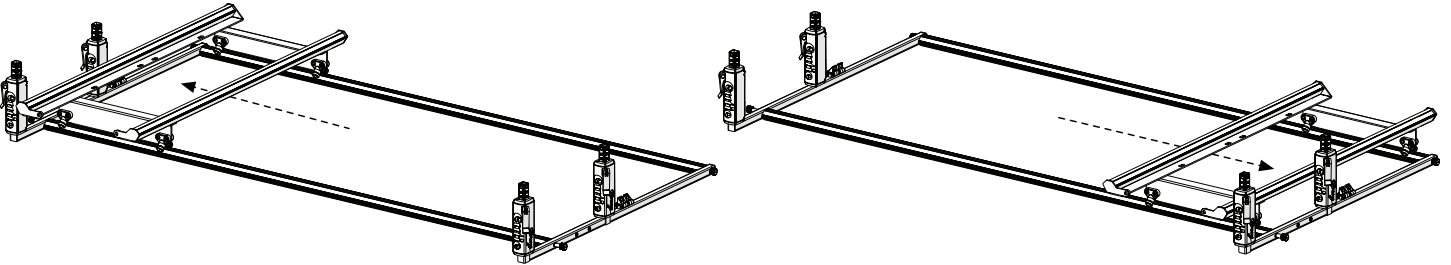
Use **Side B** in the front if:

- You have a wheel-less machine to put on the top plate.

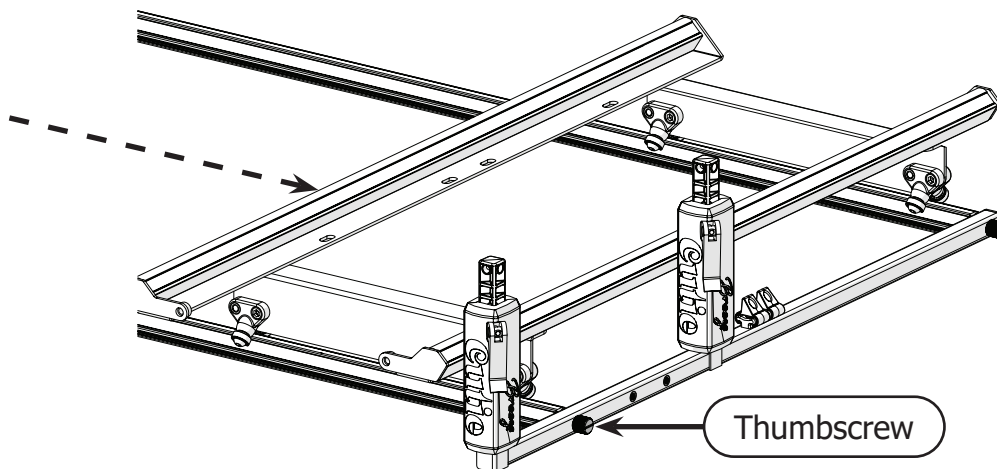


Task 2- Aligning the Tracks with the Bottom Carriage (continued)

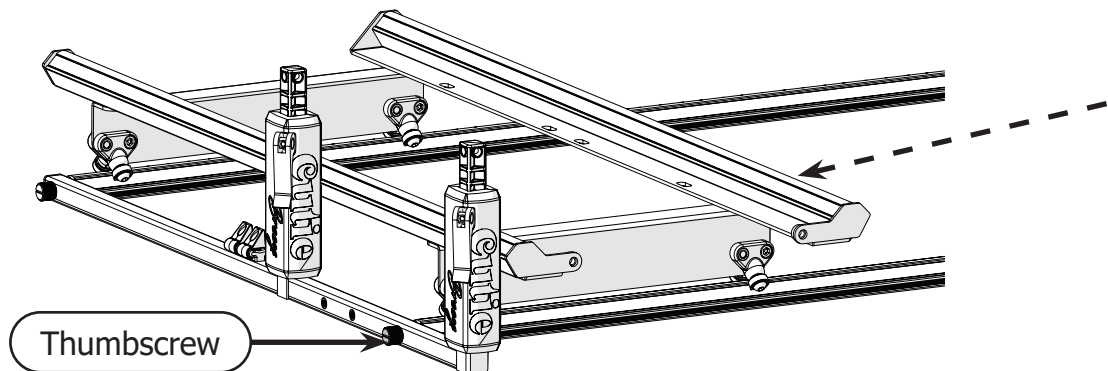
- 3 To align the tracks and the bottom carriage, move the carriage as far to the left as possible, and then move it as far to the right as possible. Repeat this motion a few times, until you're confident the carriage moves smoothly and evenly along the tracks. **Note:** Your bottom carriage might be oriented differently than the example images, but the process is the same.



- 4 Make sure the carriage is all the way to the right. Tighten the front **thumbscrew** on the right side wall.

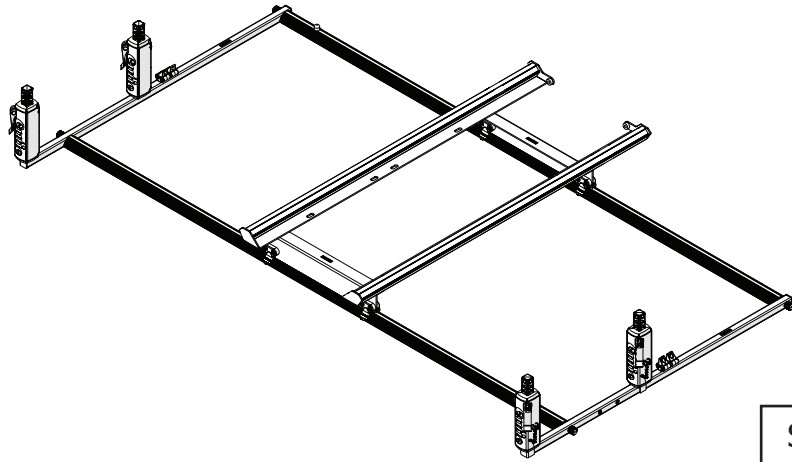


- 5 Move the carriage all the way to the left. Tighten the front **thumbscrew** on the left side wall.

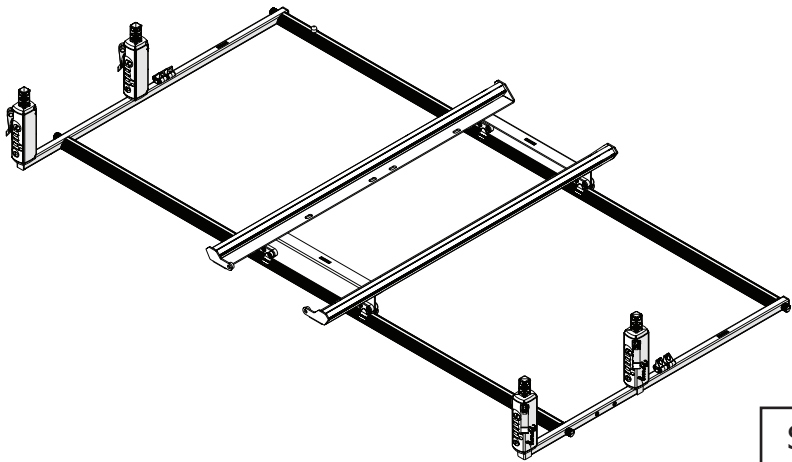


Task 2- Aligning the Tracks with the Bottom Carriage (continued)

6 **Task Result:** The bottom carriage is on the tracks, and the tracks have been aligned.



Side A Toward Front



Side B Toward Front

Congratulations! You have completed Part One of assembling your Cutie Breeze frame. Before continuing to Part Two of these instructions, complete any of the following that apply to you:

- If you are assembling a wheeled quilting machine, then complete Part One of your machine instruction manual. The end of Part One instructs you what to do next. If your machine manual is not broken into parts, then complete the following:
 1. Install the lower encoder onto the bottom carriage, according to your machine manual.
 2. Complete Part One of your Quilter's Creative Touch (QCT, formerly QuiltMotion) manual.
 3. Install and adjust your machine wheels and place your machine onto the frame, according to your machine manual.
 4. Complete Part Two of your QCT manual.
- If you are using the top plate with a wheel-less sewing/quilting machine, then complete Parts One and Two of your QCT manual. Otherwise, continue to Part Two of these Cutie Breeze frame instructions.
- If you are using a SureStitch or SureStitch Elite accessory, then install the lower encoder on the bottom carriage. See "Upper Encoder Installation" on page 64.

Part Two

Before completing the tasks in Part Two, make sure you have completed the applicable items listed below. Some items only apply if you have purchased the item they're describing, and you can skip them otherwise.

Progress Checkpoint

Have you:

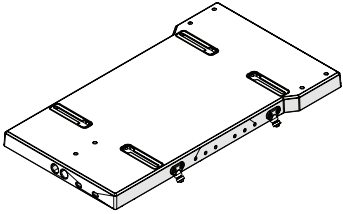
- Installed the lower encoder onto the bottom carriage?
(wheeled quilting machine manual Part One or "Lower Encoder Installation" on page 61.)
- Completed Part One of Quilter's Creative Touch (QCT, formerly QuiltMotion)? (optional accessory)
- Aligned your machine wheels? (wheeled quilting machine manual Part Two)
- Completed Part Two of QCT? (optional accessory)

Task 3 - Attaching the Handles to the Top Plate.....	11
Task 4 - Installing Your Machine.....	15

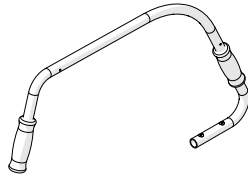
Task 3 - Attaching the Handles to the Top Plate

Parts & Tools Needed

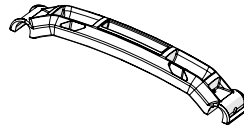
Top Plate



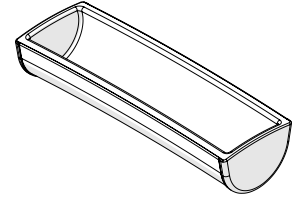
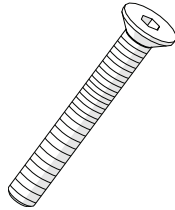
Handle (x2)



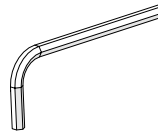
Handle Bracket



M-Class Bobbin Holder

Socket FHS
M4 x 35 mm (x2)Socket FHS
M4 x 16 mm (x4)

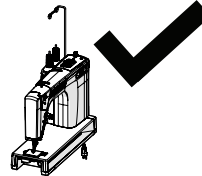
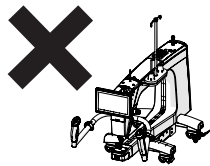
Allen Wrench 2.5 mm



Instructions

If you are using a wheeled quilting machine, skip this task. If you are using a wheel-less quilting machine, then you must assemble the top plate.

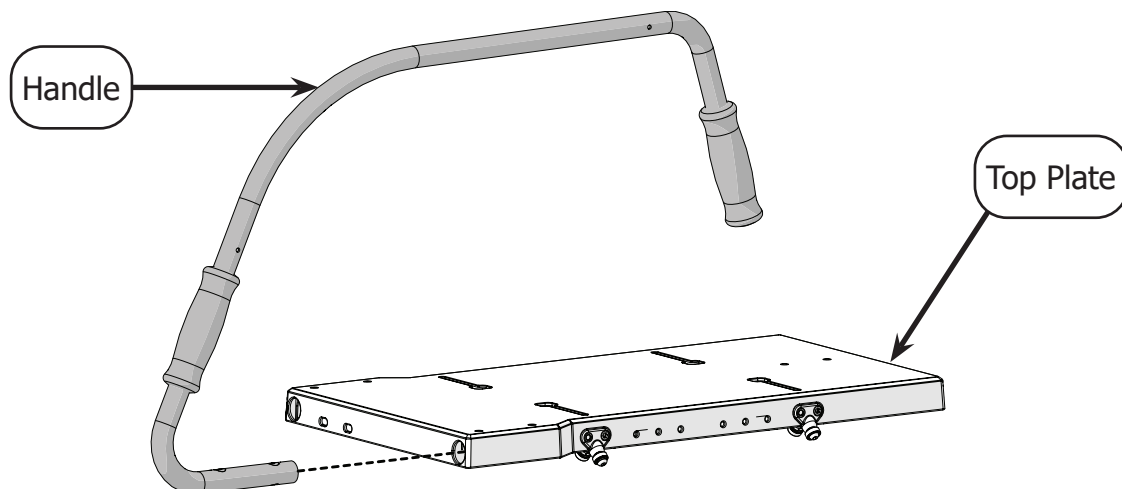
Wheeled Machine



Wheel-less Machine

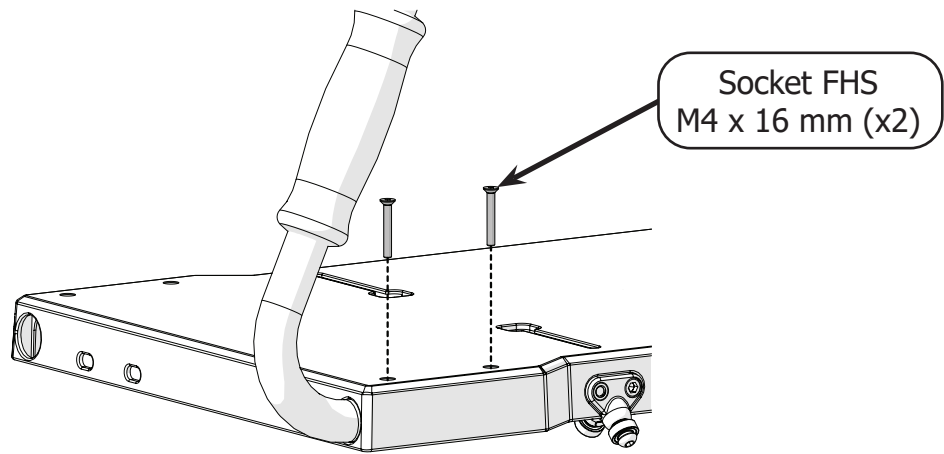
Take the following steps to attach the handles to the top plate:

- 1 Slide the bottom of one of the **handles** into one of the large holes in the back of the **top plate** so the screw holes in the handle align with the screw holes in the top plate.

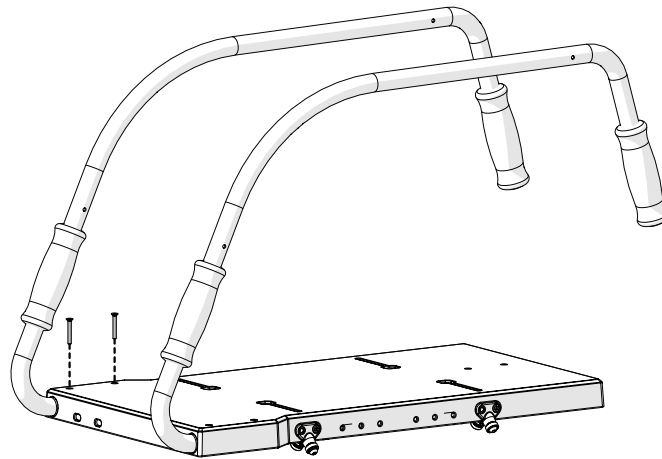


Task 3 - Attaching the Handles to the Top Plate (continued)

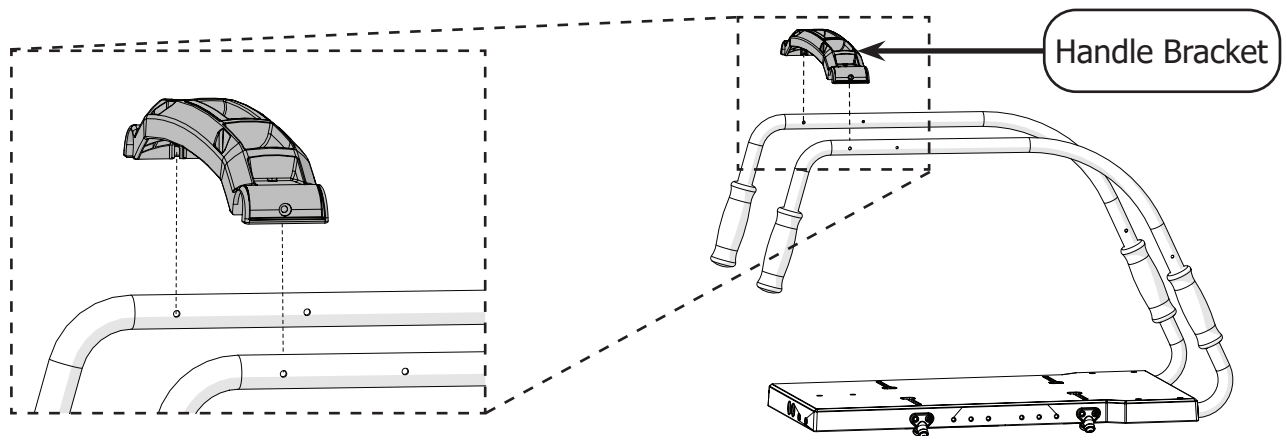
- 2 Using the 2.5 mm Allen wrench, secure the handle to the plate with two **M4 x 16 mm Socket FHS**.



- 3 Repeat steps 1-2 for the other handle.

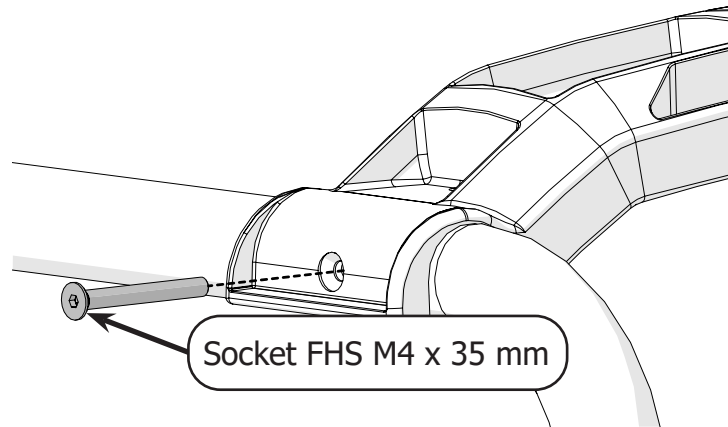


- 4 Align the **handle bracket** with the holes near the front and top of the handles.

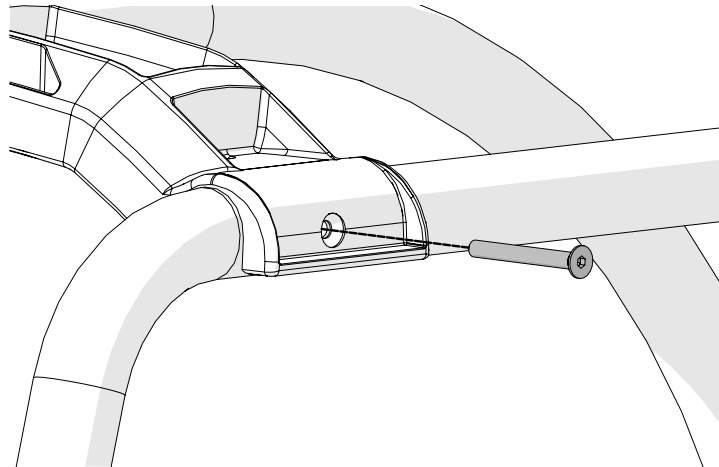


Task 3 - Attaching the Handles to the Top Plate (continued)

- 5 Pick a handle. On the outside of the handle bracket, using the Allen wrench, tighten an **M4 x 35 mm Socket FHS** to secure the bracket to the handle.



- 6 Repeat step 5 with the other handle.

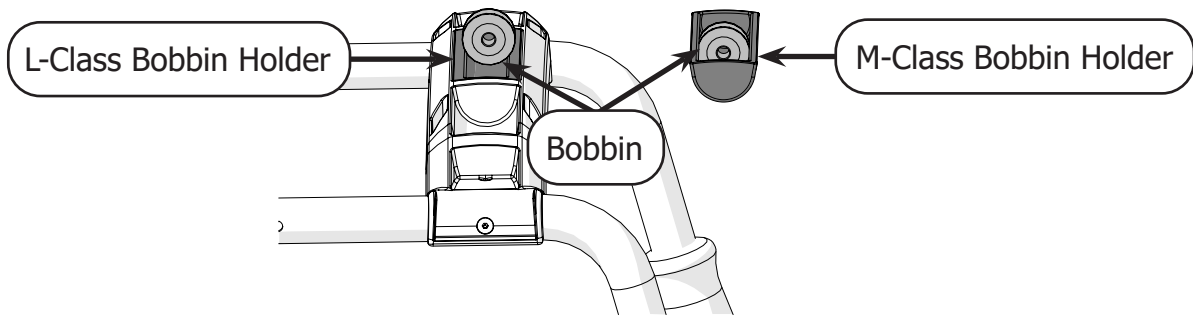


- 7 The handle bracket is designed to hold extra bobbins and pins. It has built-in magnets to keep your pins in the trough. The handle bracket also comes with L-class and M-class bobbin holders. You can put in whichever bobbin holder matches the type of bobbins you use. The L-class bobbin holder is shipped in the handle bracket.

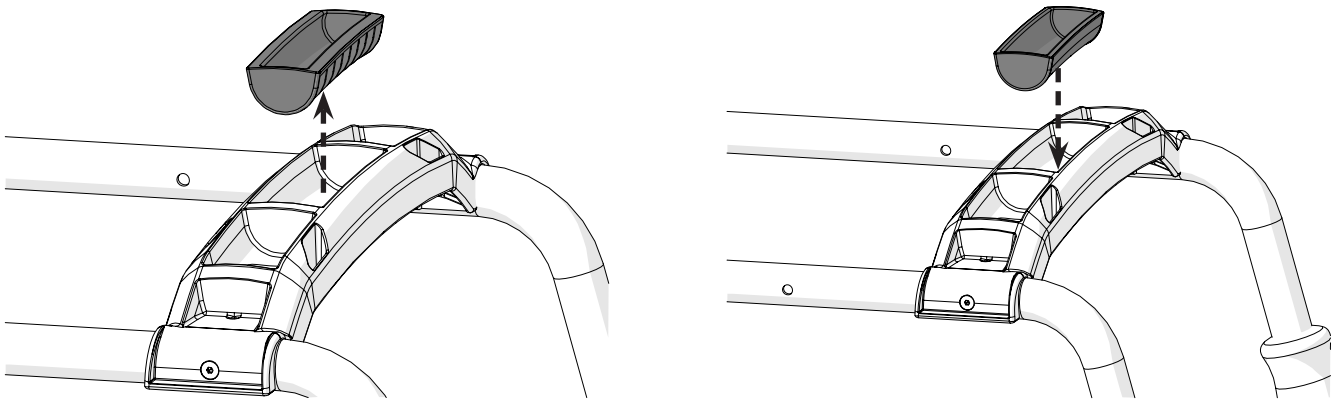
Take the following steps to switch out the bobbin holder:

Task 3 - Attaching the Handles to the Top Plate (continued)

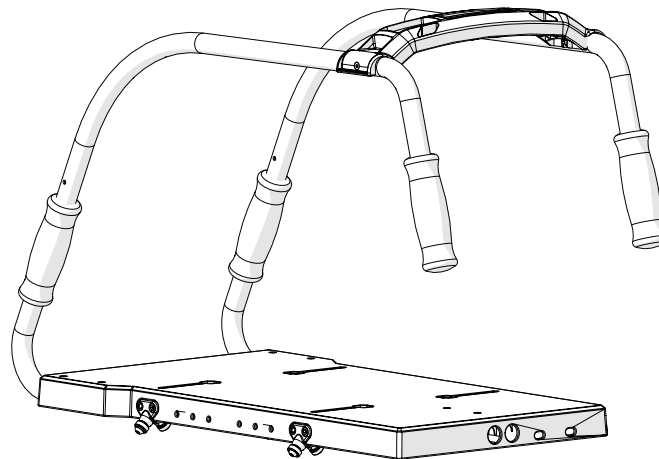
- a Compare your **bobbin** with the **bobbin holder** in the handle bracket and in the box to see whether you need to change it. M-class bobbins don't fit in the L-class bobbin holder.



- b Pop the flexible plastic bobbin holder out of the handle bracket. Press the other bobbin holder into the handle bracket until it is flush with the top of the bracket.



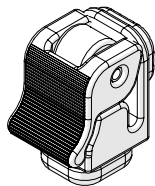
- 8 **Task Result:** The handles are attached to the top plate.



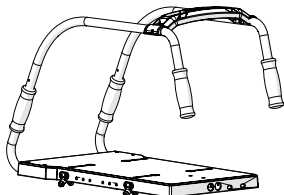
Task 4 - Installing Your Machine

Parts & Tools Needed

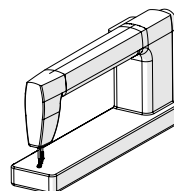
Sewing Machine
Clamp (x4)



Assembled
Top Plate



Sewing Machine



(not included)

Note: Your machine might look different from the example machine.

Instructions

You can use your Cutie Breeze frame with a wheeled quilting machine or with a wheel-less sewing machine on the top plate. Your machine manual might have already instructed you to install your machine. If so, simply skip this task.

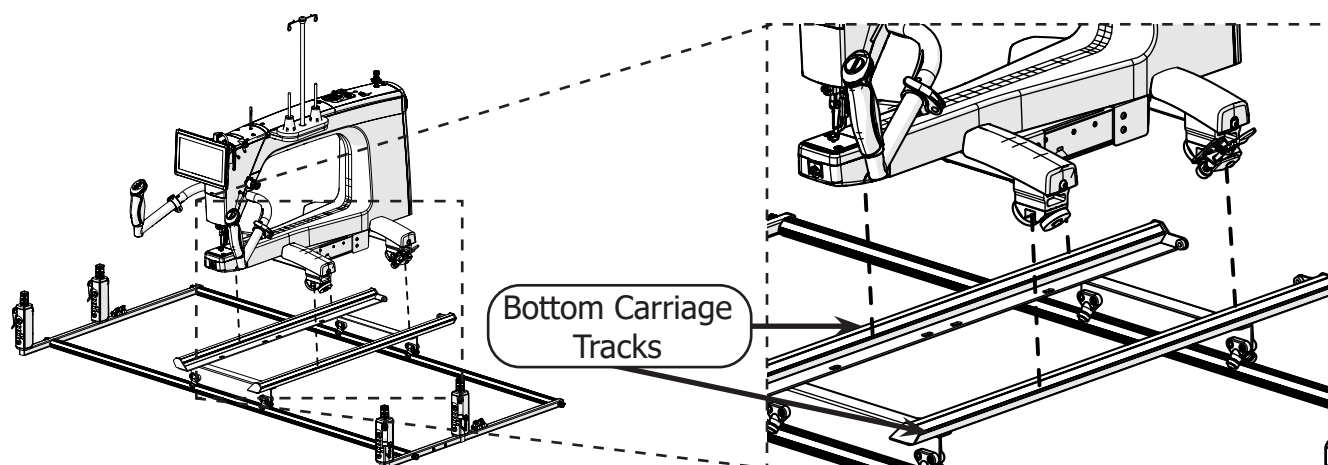
Do one of the following to install your machine:

- If you are installing a wheeled quilting machine, complete the steps under “Wheeled Quilting Machine Installation”
- If you are installing a sewing machine on the top plate, complete the steps under “Wheel-less Sewing Machine with Top Plate Installation”

Wheeled Quilting Machine Installation

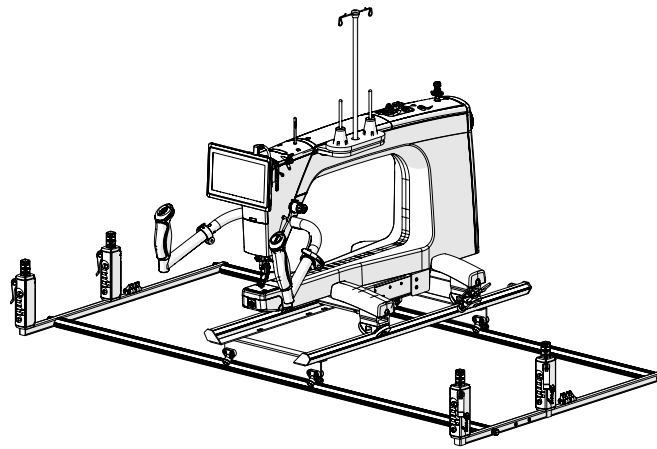
Complete the following steps to install a wheeled quilting machine:

- 1 Place the machine so that the wheels ride the **bottom carriage tracks**.



Task 4 - Installing Your Machine (continued)

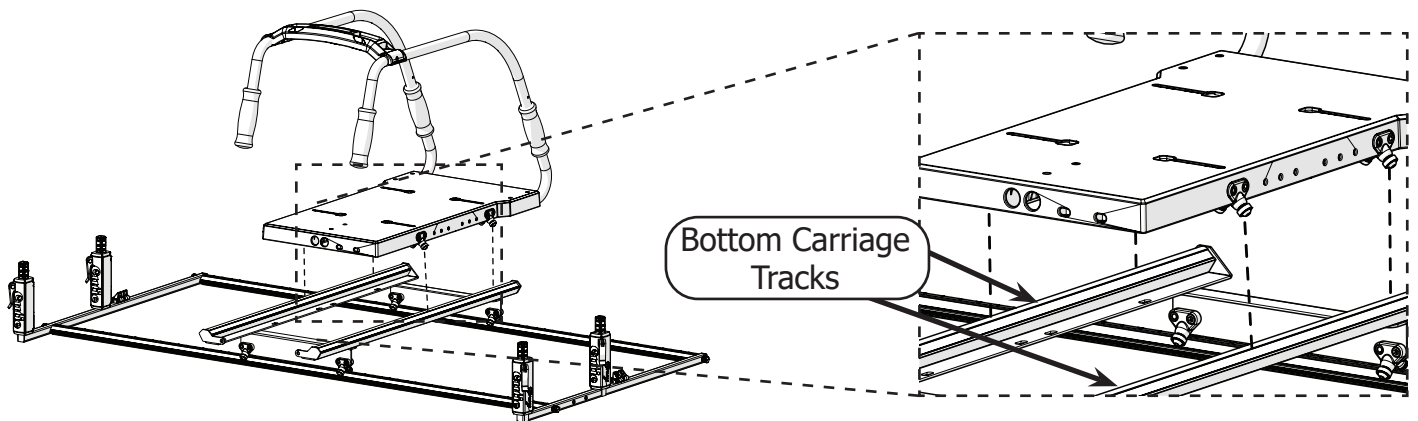
2 Task Result: The wheeled quilting machine is installed on the bottom carriage.



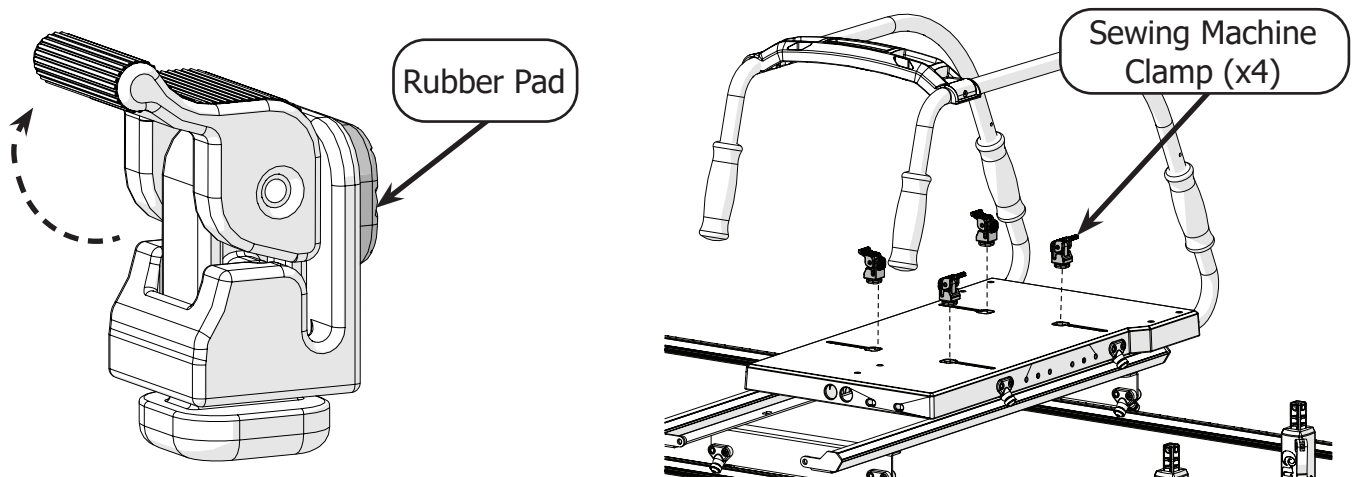
Wheel-less Sewing Machine with Top Plate Installation

Complete the following steps to install a sewing machine on the top plate:

1 Place the top plate so the wheels ride the **bottom carriage tracks**. Make sure the handles on the top plate are facing the front of the frame.

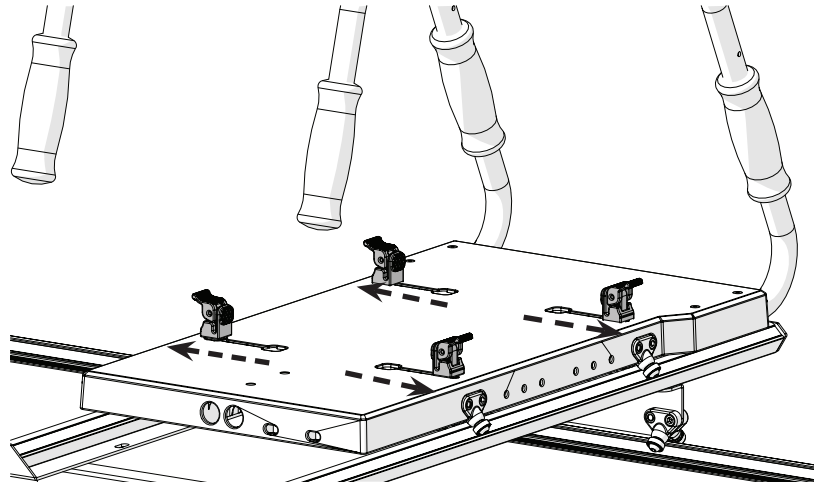


2 Open the four **sewing machine clamps** and place them into the slots in the top plate. The **rubber pads** must face toward the center of the top plate.



Task 4 - Installing Your Machine (continued)

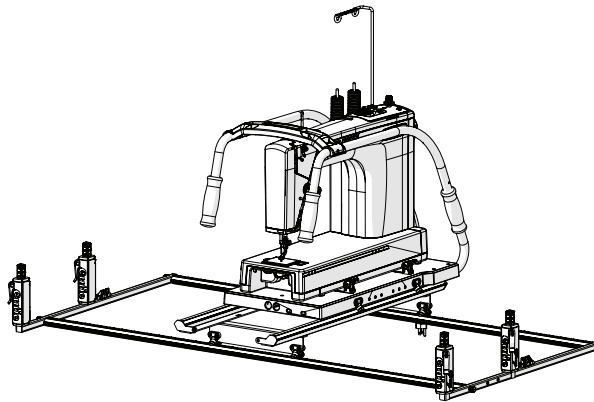
- 3 Slide the sewing machine clamps toward the outer edge of the top plate.



- 4 Place your machine on the top plate, centered between the sewing machine clamps.

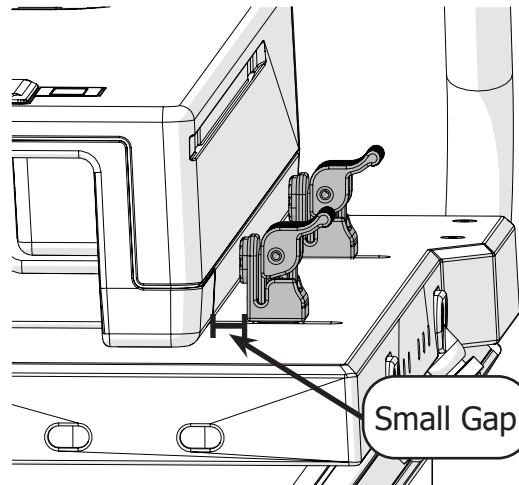
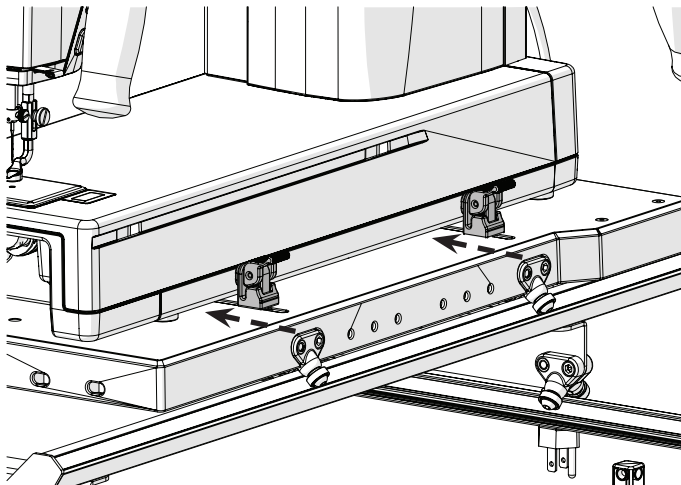
Note: If you cannot set your machine on the top plate with all four clamps in place, use fewer clamps to secure the machine.

Note: If you haven't put the frame on a table or other work surface yet, then move the frame to the work surface before you put the machine on.



CAUTION: Take care when placing the machine on the top plate.

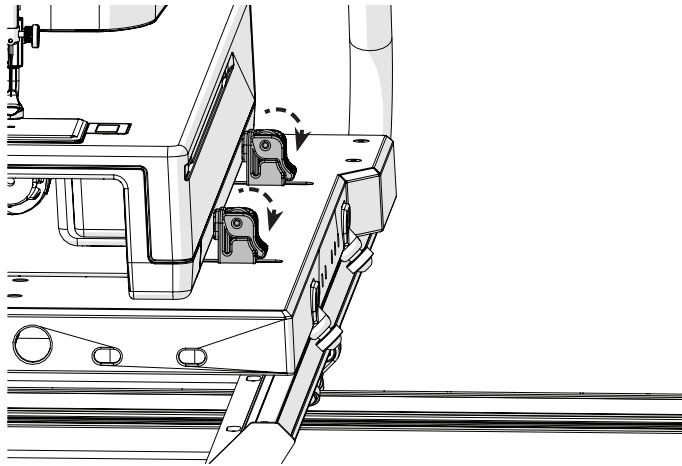
- 5 Press the sewing machine clamps close to the machine, but do not press them up against the side. Leave a **small gap** between the clamps and the machine.



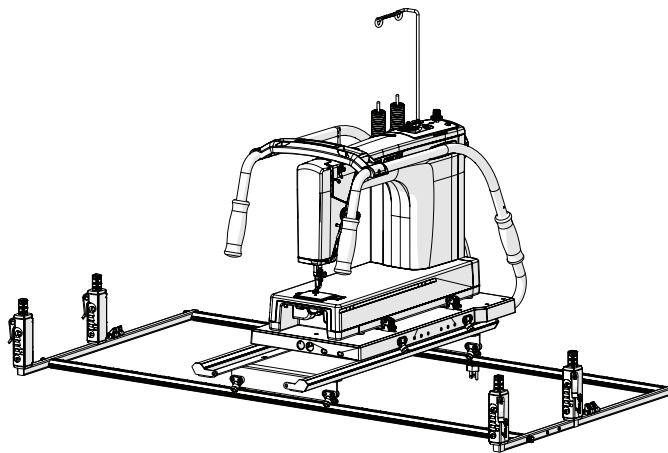
Task 4 - Installing Your Machine (continued)

- 6 Close the clamps. They now press up against the machine.

Note: If the clamps don't press up against the machine, open them back up, move them slightly closer to the machine, and then close the clamps again.



- 7 **Task Result:** Your machine is installed on the top plate and frame, and is securely held by the clamps.



Congratulations on completing Part Two of the Cutie Breeze assembly.

If you are using a SureStitch accessory, then install the upper encoder onto the top plate. See "Upper Encoder Installation" on page 64.

If you are not using a wheeled quilting machine, then continue to Part Three of these instructions.

If you are using a wheeled quilting machine, then complete the tasks in Part Two of your quilting machine manual. If your manual is not broken into parts, then do the following applicable things:

1. Install the machine wheel covers.
2. Install the handlebars.
3. Install the display.
4. Install the thread stand.
5. Install the upper encoder onto the machine.

Part Three

Before completing the tasks in Part Three, complete the following applicable tasks.

Progress Checkpoint

SureStitch accessory users, have you installed the upper encoder on the top plate (see “Upper Encoder Installation” on page 64) ?

Wheeled quilting machine users, have you:

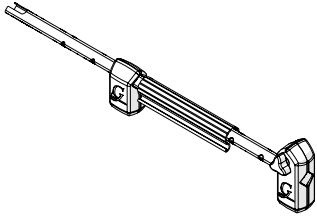
- Completed Part Three of your machine instruction manual?
 - Installed wheel covers?
 - Installed handlebars?
 - Installed display?
 - Installed thread mast?
 - Installed upper encoder?

Task 5 - Adjusting the Rail Holders.....	20
Task 6 - Attaching the Front Rail	22
Task 7 - Installing and Adjusting the Take-Up Rail	25
Task 8 - Managing the Foot Pedal Cable.....	30
Task 9 - Changing the Location of the Carriage Stop Clip.....	35
Task 10 - Adjusting the Carriage Stops.....	37

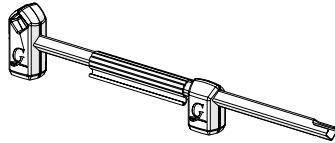
Task 5 - Adjusting the Rail Holders

Parts & Tools Needed

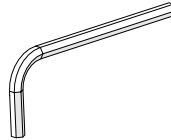
Right Rail Holder



Left Rail Holder



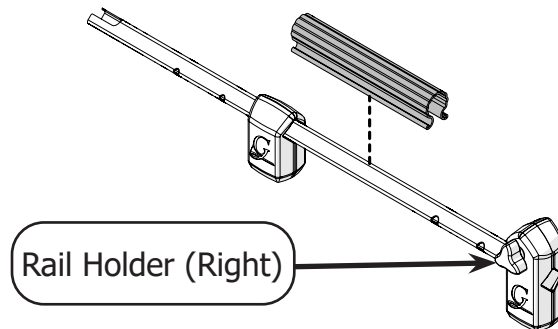
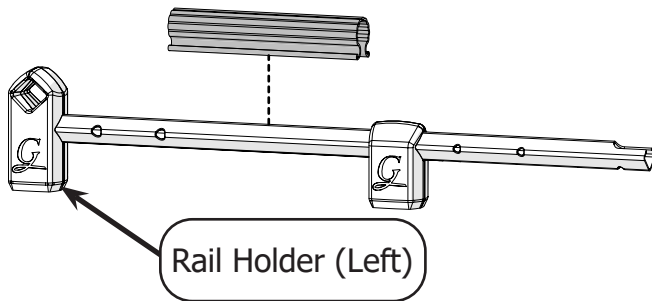
Allen Wrench 2.5 mm



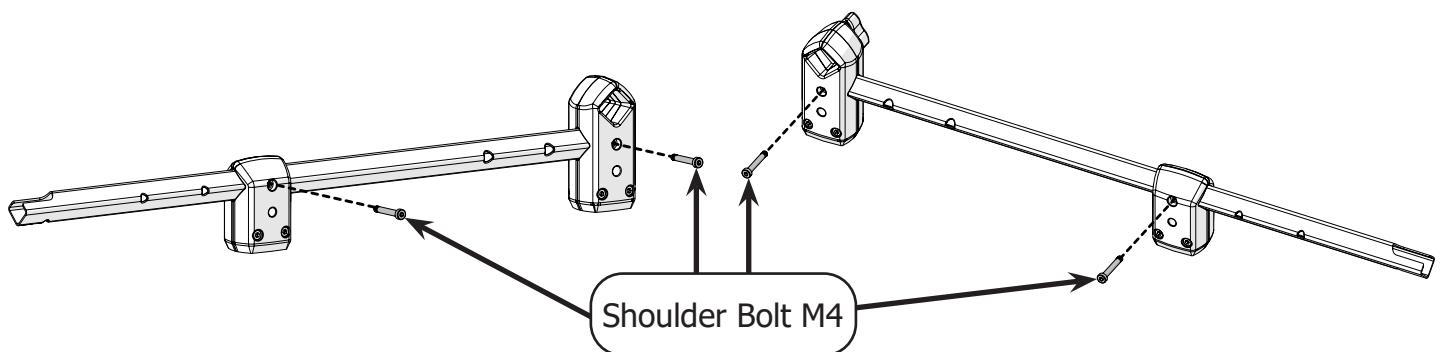
Instructions

Before you attach the front rail, you must make sure the rail holders are adjusted to the correct length for your machine. When the rail holders are shipped, they are set for machines with a 19-inch throat. If your machine has a shorter throat length, then you need to adjust the rail holders. Take the following steps to adjust the rail holders:

- 1 For both the **left** and **right rail holder**, remove the side clamps. Pry the lips of the clamp away from each other and then pull the clamp off the rail. Keep the clamps nearby to use later.



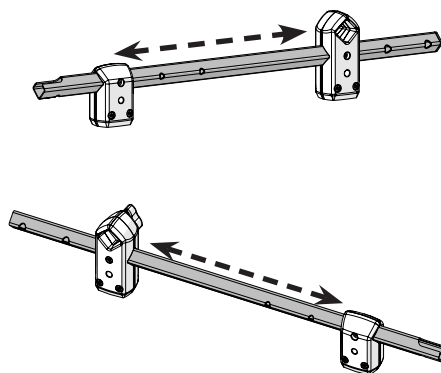
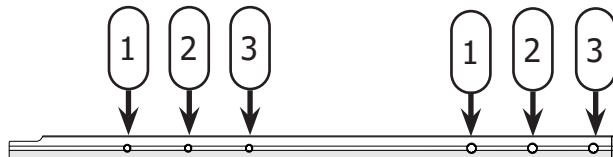
- 2 For both the left and right rail holder, use the 2.5 mm Allen wrench to unscrew the two **M4 shoulder bolts** from the top of the plastic towers.



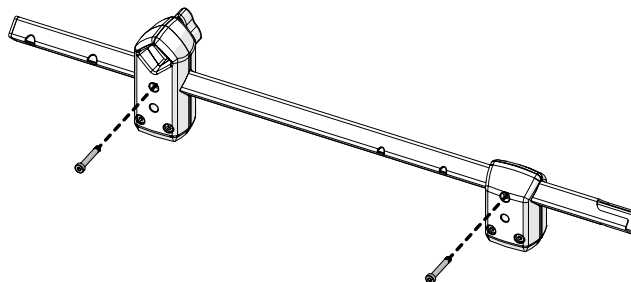
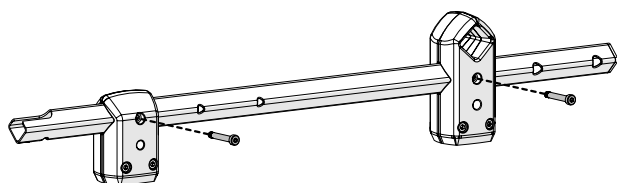
Task 5 - Adjusting the Rail Holders (continued)

- 3 For each rail holder, slide the rail until the correct holes on the rail line up with the holes in the plastic towers. Refer to the table to determine which holes on the rail are correct. The holes are numbered starting with the hole closest to the open end of the rail. Set the left and right rail holders to the same holes.

Length of Machine Throat	Holes on Rail
14 in. or less	1
15 in. to 17 in.	2
18 to 19 in. (default)	3



- 4 For each rail holder, use the 2.5 mm Allen wrench to tighten the two M4 shoulder bolts into the plastic towers to secure the rail to the tower.

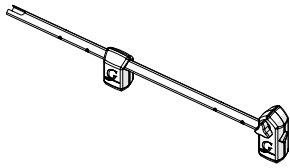


- 5 **Task Result:** The rail holders are adjusted to the correct length for your machine.

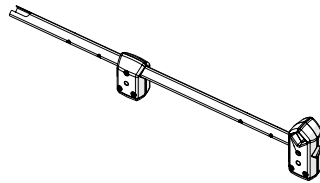
Task 6 - Attaching the Front Rail

Parts & Tools Needed

Right Rail Holder



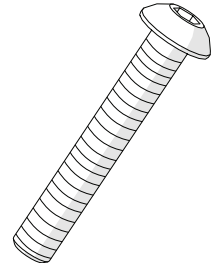
Left Rail Holder



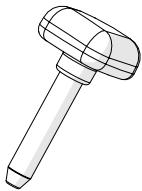
Front Rail



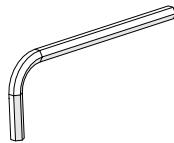
SBHCS
M4 x 25 mm (x2)



Securing Pins (x4)



Allen Wrench 2.5 mm

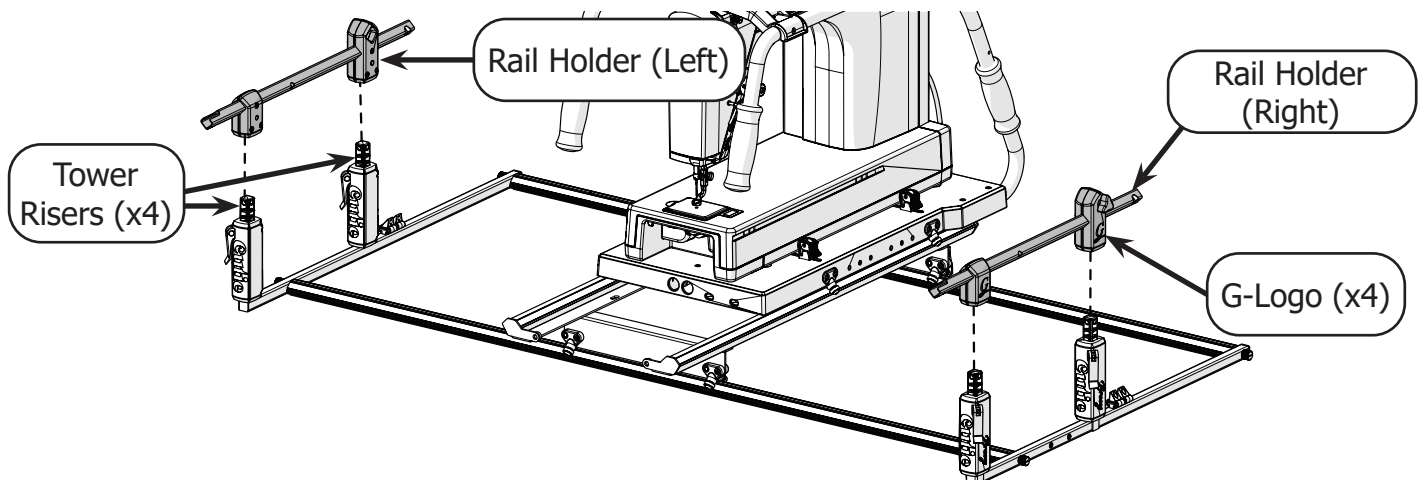


Instructions

Once the rail holders are the correct length, you are ready to attach the front rail. Take the following steps to attach the front rail.

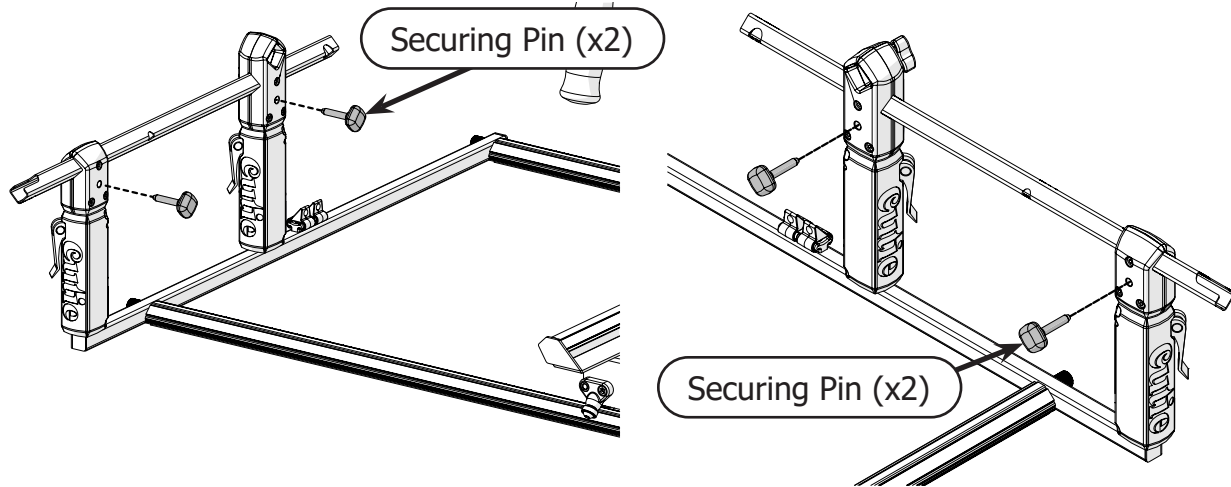
Note: The images in this task show a wheel-less quilting machine on the top plate, but the steps are the same if you are using a wheeled quilting machine.

- 1 Slide the **rail holders** on to the **tower risers** on the side walls. Make sure that the **G-logo** is facing out and that the taller plastic towers of each rail holder are in the back.

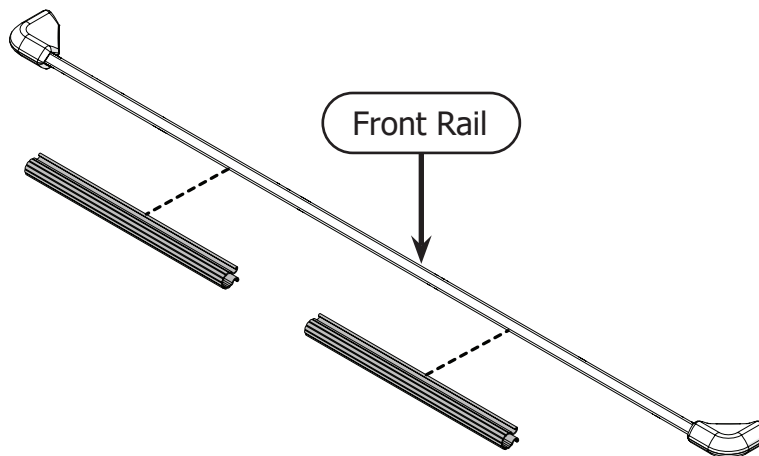


Task 6 - Attaching the Front Rail (continued)

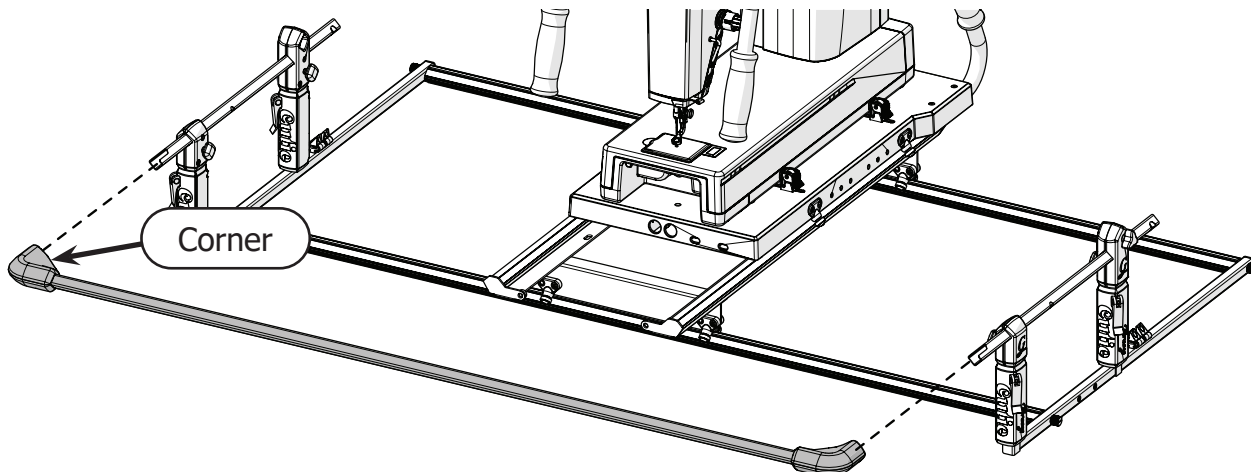
- 2 Secure the rail holders to the side walls by pushing the **securing pins** into the central holes on the rail holders.



- 3 Remove the clamps from the **front rail**. Pry the lips of the clamp away from each other and then pull the clamp off the rail. Keep the clamps nearby to use later.

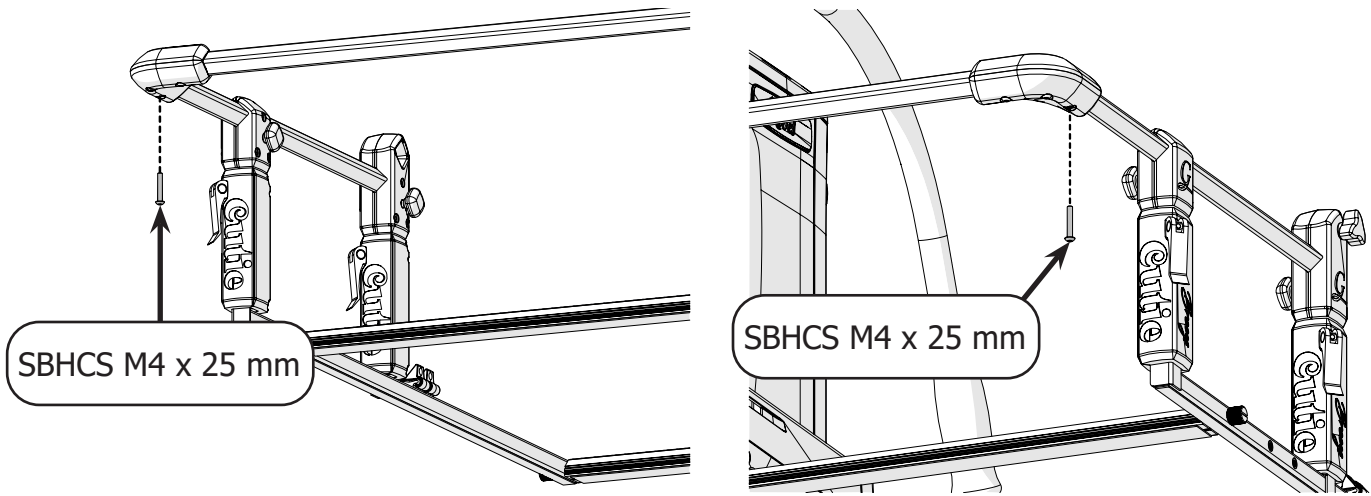


- 4 Slide the front rail onto the rail holders. Make sure that the screw holes on the **corners** are on the bottom.

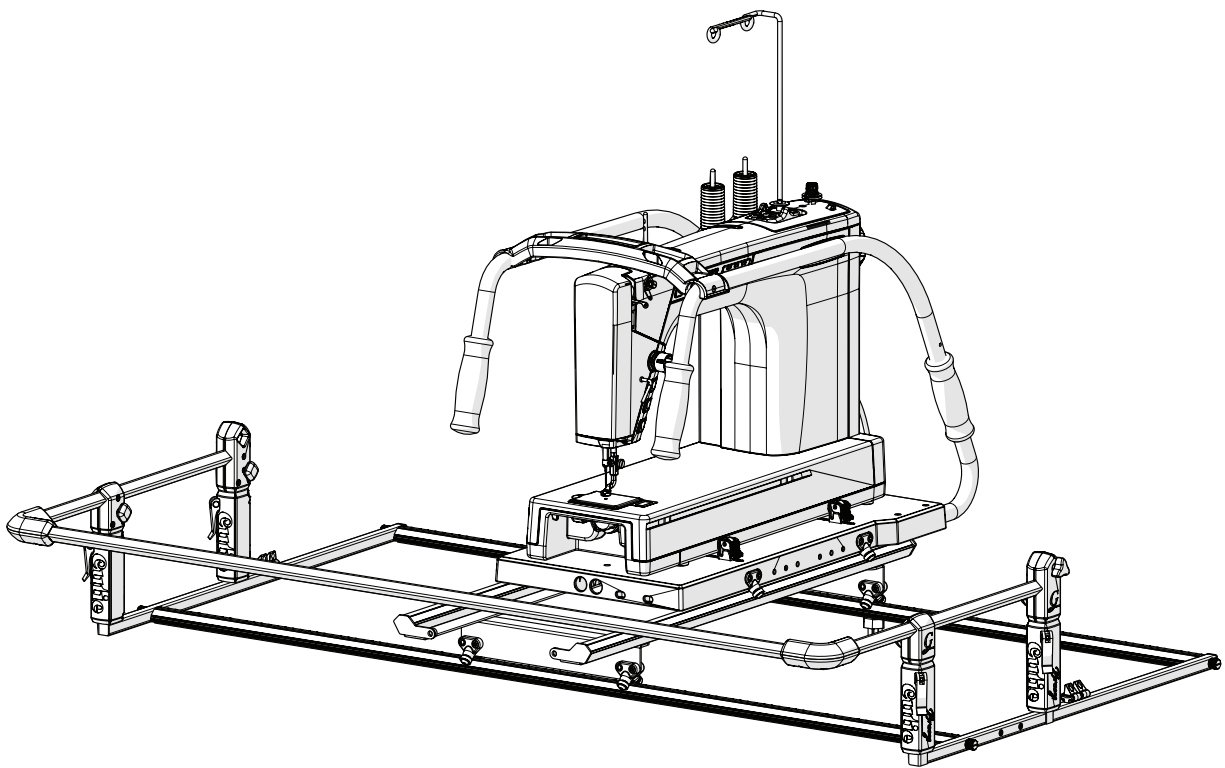


Task 6 - Attaching the Front Rail (continued)

- 5 Secure the front rail to the rail holders using the 2.5 mm Allen wrench and the two **M4 x 25 mm SBHCS**.



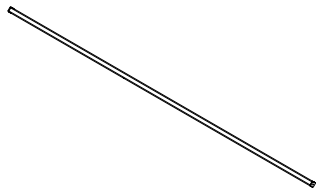
- 6 **Task Result:** The front rail is attached to the frame.



Task 7 - Installing and Adjusting the Take-Up Rail

Parts & Tools Needed

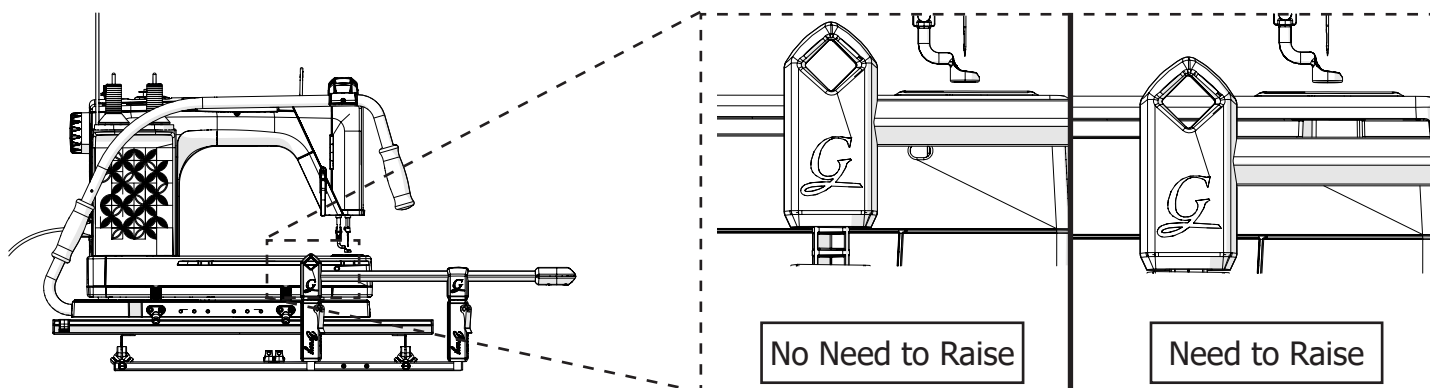
Take-Up Rail



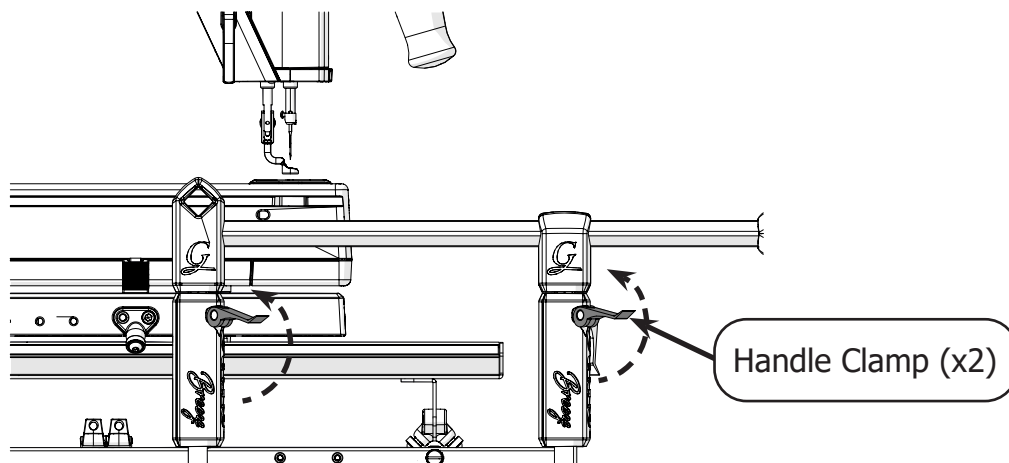
Instructions

Take the following steps to attach the take-up rail to the frame. **Note:** The images in this task show a wheel-less quilting machine on the top plate, but the steps are the same if you are using a wheeled quilting machine.

- 1 To attach the take-up rail, first look through the hole in the back of the left rail holder. Note whether you can see clearly over the machine or if your view is blocked by the machine. If you can see clearly over the machine, then skip to step 2. If your view is blocked by the machine, then you need to raise the rail holders. Take the following steps to raise the rail holders:

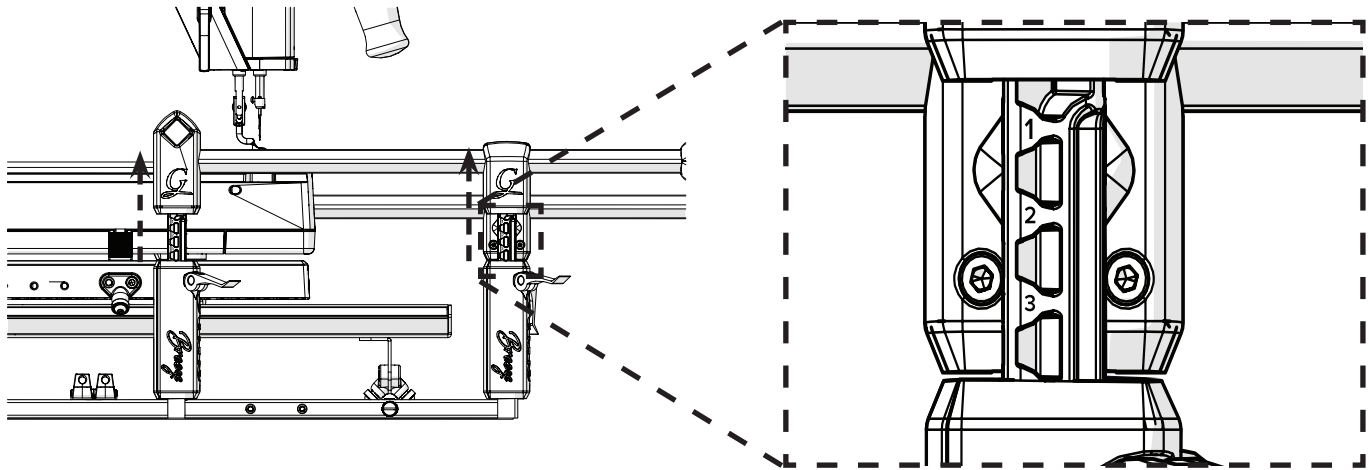


- a Open the **handle clamps** on the tower risers on the left side wall.

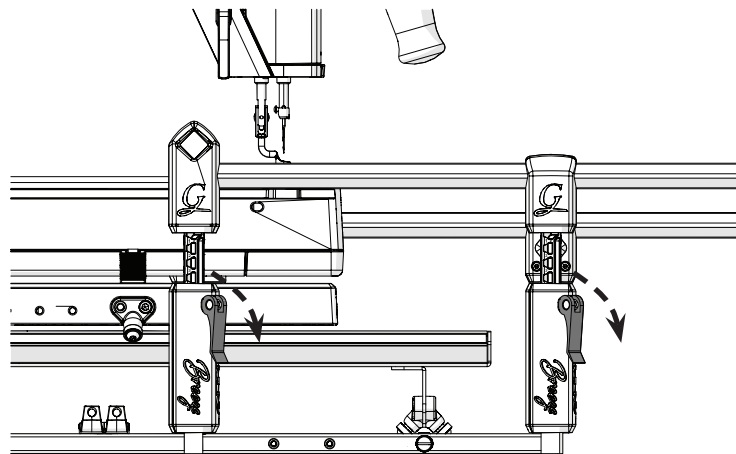


Task 7 - Installing and Adjusting the Take-Up Rail (continued)

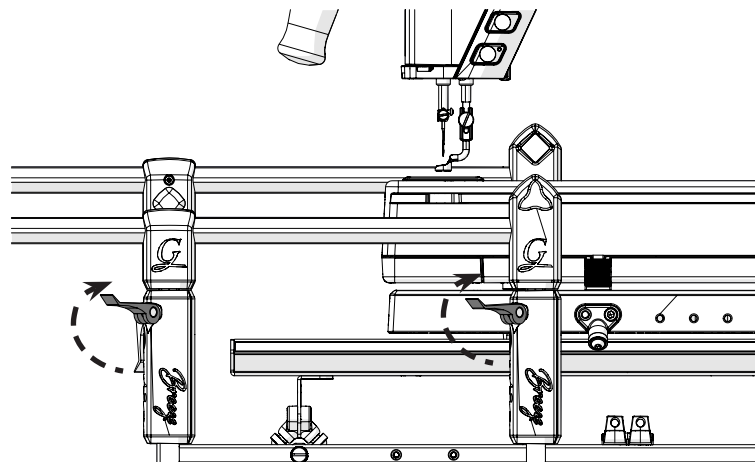
- b Raise the left rail holder until the hole is high enough that you can clearly see through the hole. Note the number of the notch you stopped on.



- c Close the handle clamps to secure the left rail holder in its new position.

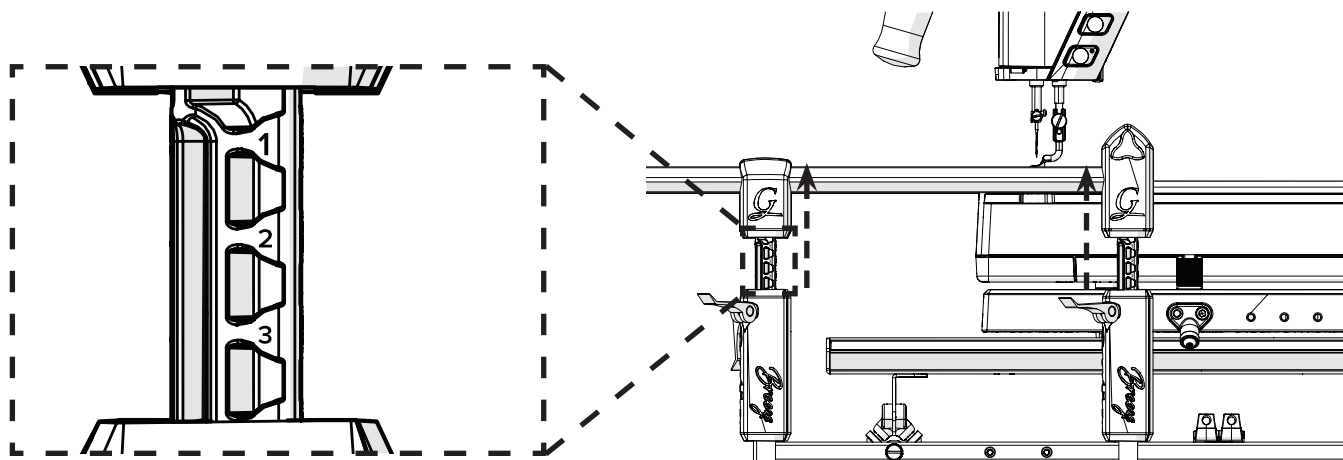


- d Open the handle clamps on the tower risers on the right side wall.

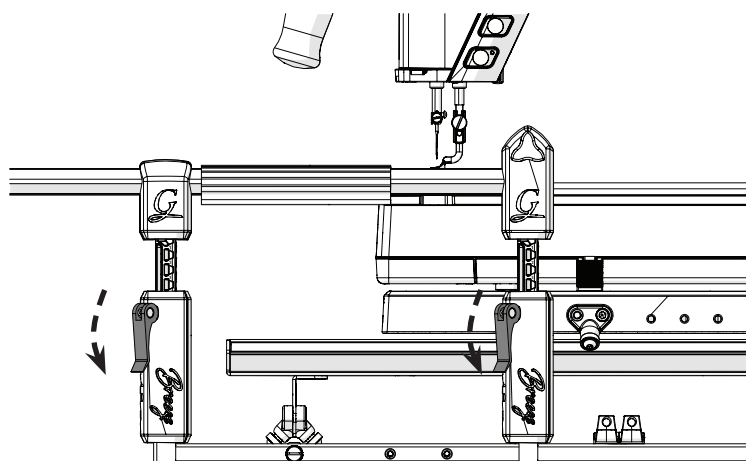


Task 7 - Installing and Adjusting the Take-Up Rail (continued)

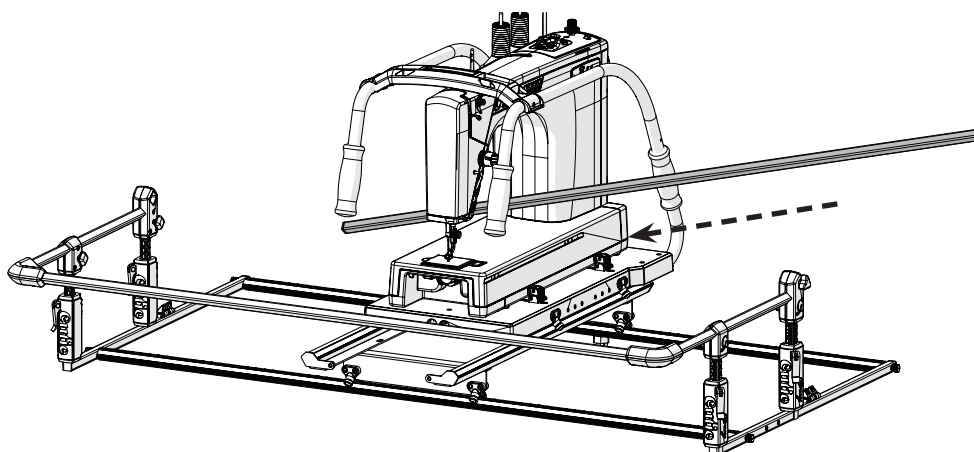
- e Raise the right rail holder until it is the same height as the left rail holder. Use the number of the notch to confirm the rail holders are the same height.



- f Close the handle clamps to secure the right rail holder in its new position.

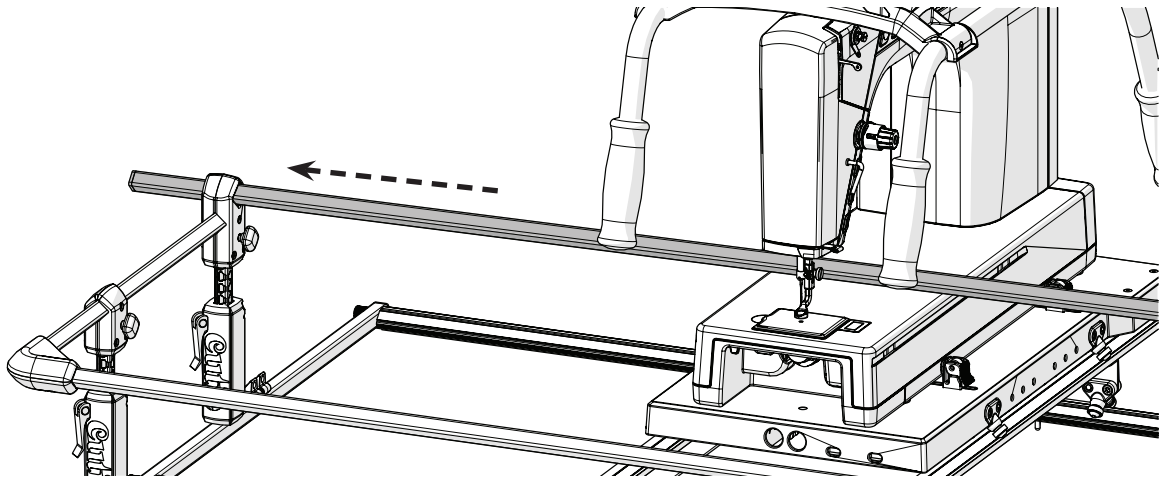


- 2 Once the rail holders are the high enough that the take-up rail cannot hit the bed of your machine, attach the take-up rail to the frame. From the right side of the frame, slide the take-up rail into the throat of the sewing machine.

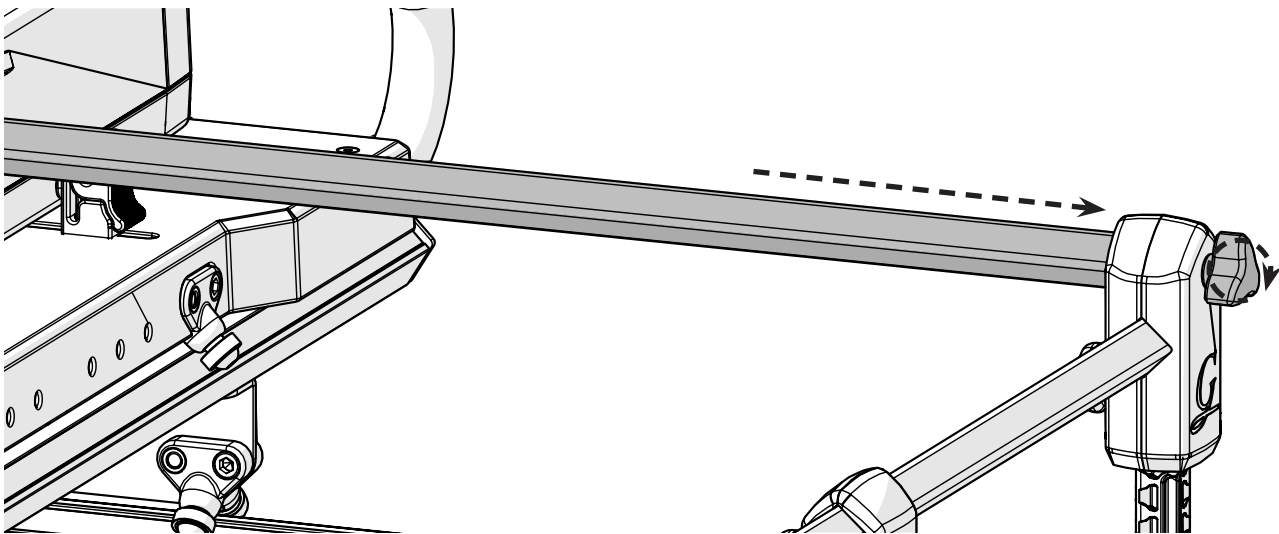


Task 7 - Installing and Adjusting the Take-Up Rail (continued)

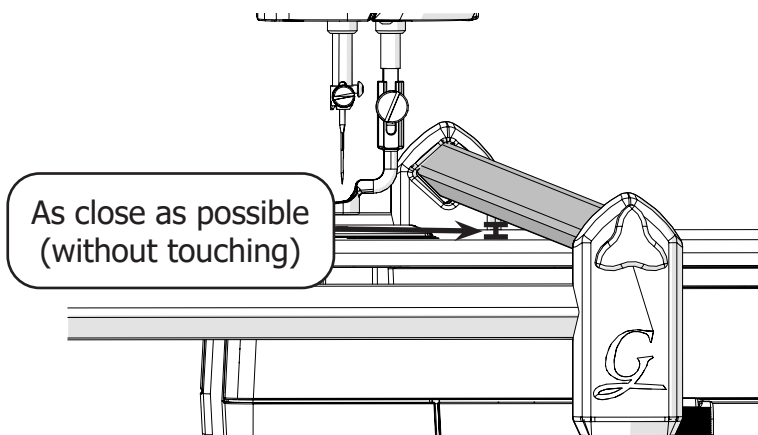
- 3 Insert the left end of the take-up rail into the hole in the left rail holder.



- 4 Slide the take-up rail into the holder on the right side. Tighten the knob to secure the rail.



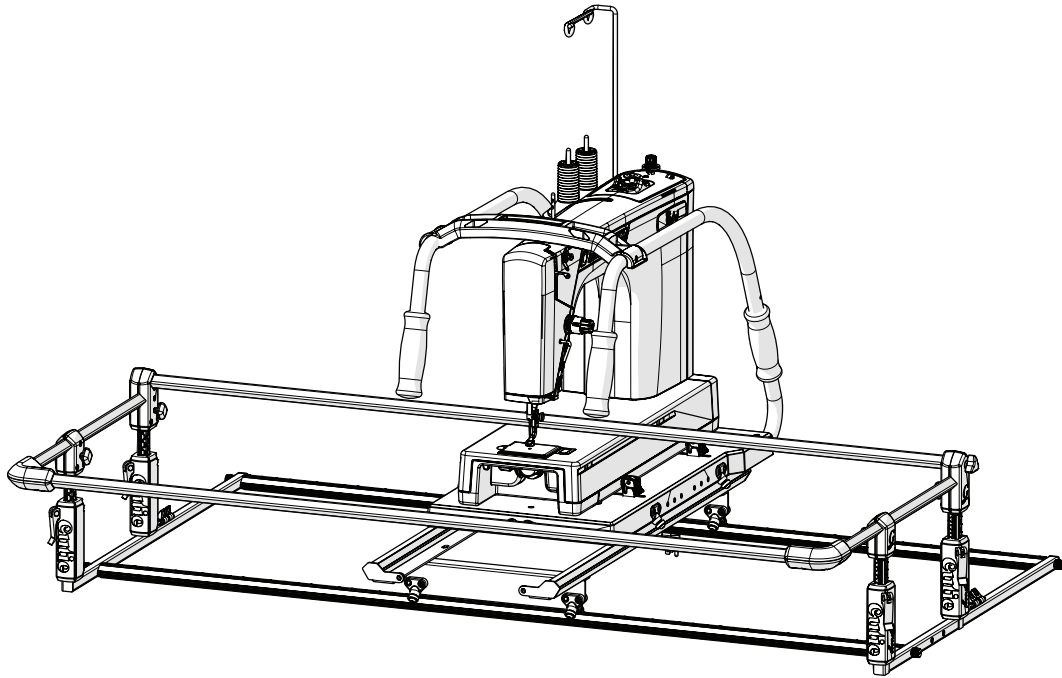
- 5 The take-up rail must be **as close as possible (without touching)** to the bed of your machine. Check the height of the take-up rail, and if needed, follow step 1 to adjust the height of the take-up rail.



Note: While you're quilting, if it feels like the machine is dragging, it might be because the machine is barely touching the take-up rail. If this happens, adjust the take-up rail to be slightly farther away from the bed of the machine.

Task 7 - Installing and Adjusting the Take-Up Rail (continued)

- 6 **Task Result:** The take-up rail is attached to the frame.



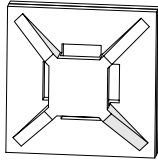
Task 8 - Managing the Foot Pedal Cable

Parts & Tools Needed

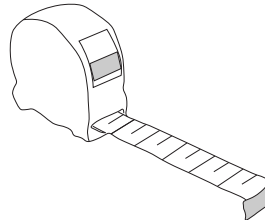
Zip Ties (x2)



Zip Tie Mount (x1)



Measuring Tape or Ruler (not included)



Wheeled Quilting Machine Users: Skip to the end of this task for instructions on which manual to refer to next.

Instructions

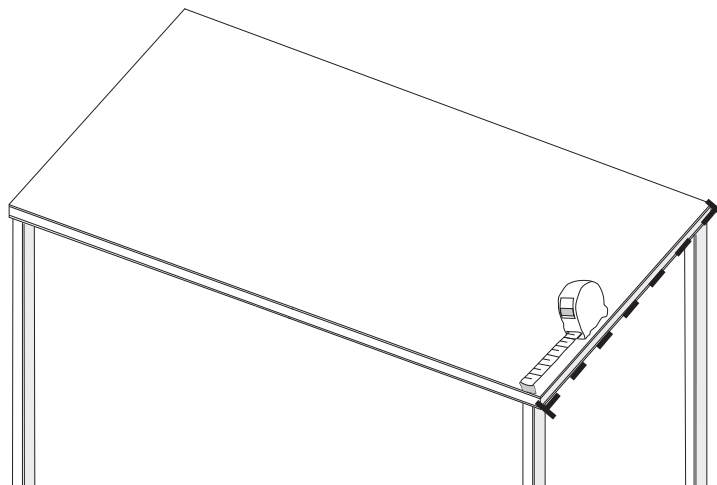
If you're using a foot pedal with your machine, you need to manage your foot pedal cable. To provide your machine with the full range of motion on the frame without the foot pedal moving out of your reach, place the Cutie Breeze on a work surface (such as a desk or table) that is 23-26 inches deep. This depth is ideal because most foot pedal cables are long enough to be routed from the back of the machine and still reach the floor.

If your work surface is deeper than 26 inches or not accessible from the back, you can probably still use it with the Cutie Breeze. First, try routing the cable from the front, as described below. Or, if the work surface is height-adjustable, then change the height, as a shorter height can offset the extra depth. Another way you can still use the deeper work surface is if you have a long foot pedal cable (longer than 5 feet), which might allow the cable to still reach the floor (from the back or the front) even with the extra depth.

If you find that your work surface and foot pedal cable don't provide you with the range of motion you want, try a different work surface, or contact your machine's manufacturer about any cable extension options they might offer.

Take the following steps to manage the foot pedal cable:

- 1 Examine and measure your work surface. Determine which of the following statements best matches your work surface, and then follow the corresponding section:
 - A. 23-26 inches deep and accessible from the back. Continue to "Routing Cable From Back".
 - B. Deeper than 26 inches, or not accessible from the back. Skip to "Routing Cable From Front".

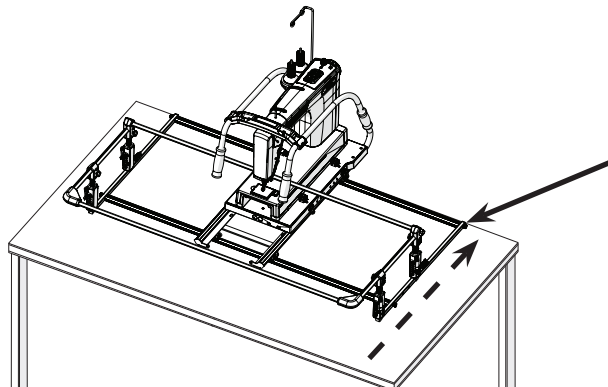


Task 8 - Managing the Foot Pedal Cable (continued)

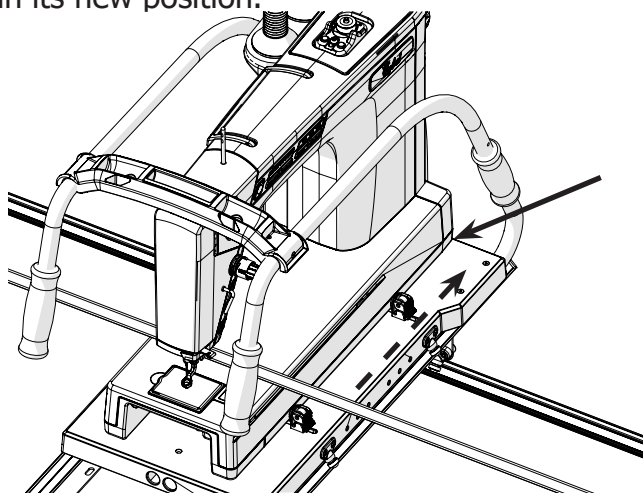
Routing Cable From Back

If your work surface is 23-26 inches deep and accessible from the back, then route the foot pedal cable from the back. Take the following steps to route the cable:

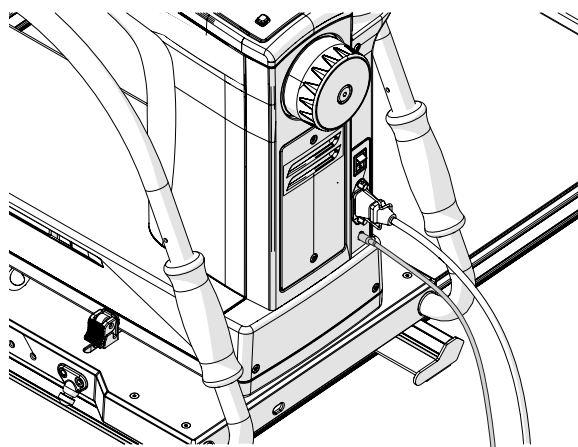
- 1 Slide the frame so that the back track is flush with the back edge of the table.



- 2 Un-clamp your machine and slide it back so that the back of your machine is flush with the back edge of the top plate. This location decreases the distance your foot pedal cable has to reach. Re-clamp the machine in its new position.



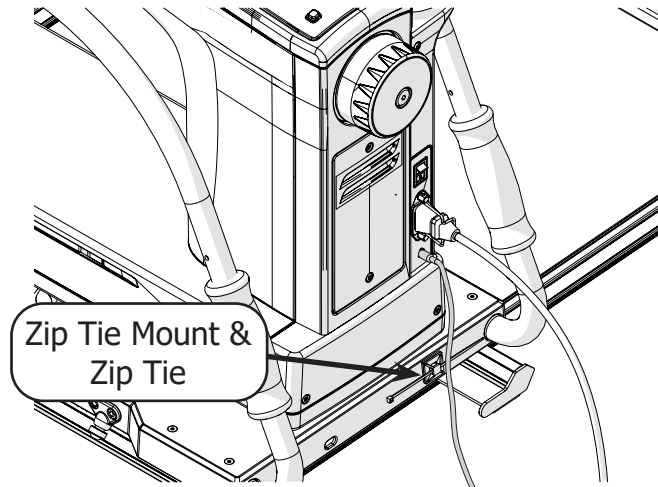
- 3 Route the foot pedal cable off the back of your machine and to the floor as directly as possible. Make sure that the cable isn't underneath any of the wheels on the top plate or the bottom carriage.



Task 8 - Managing the Foot Pedal Cable (continued)

- 4 If needed, attach the **zip tie mount** to the top plate, and then **zip tie** the cable to the mount so that the cable doesn't slip off and get in the way of the top plate or the bottom carriage.

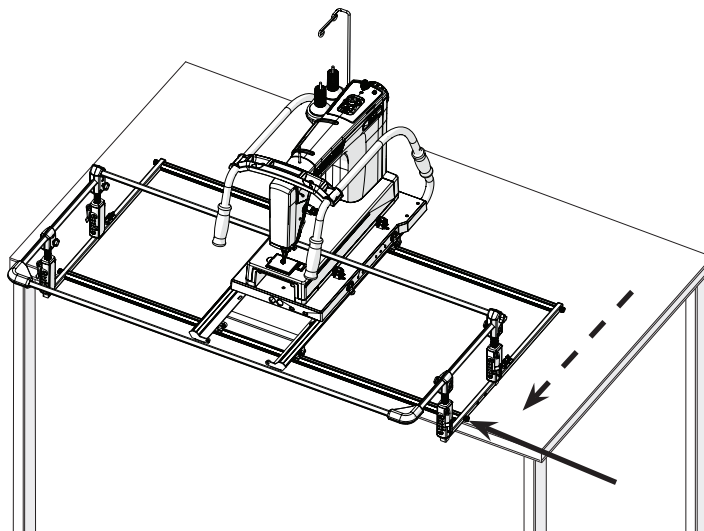
To attach the zip tie mount, expose the adhesive and then press the mount firmly to the top plate. Slide the zip tie into the mount, and then wrap the zip tie around the cable to keep the cable in place.



Routing Cable From Front

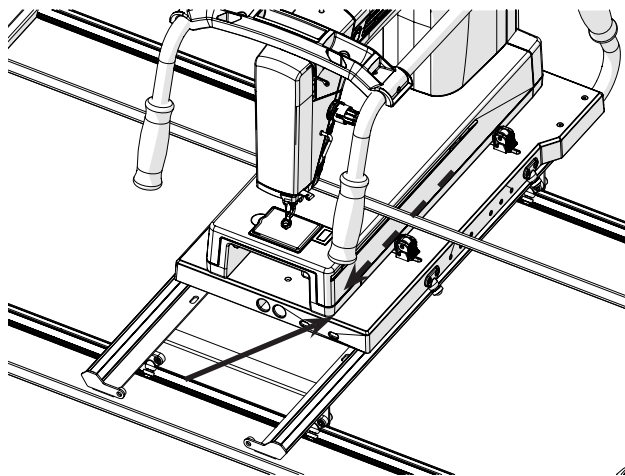
If your work surface is more than 26 inches deep or not accessible from the back, then route the foot pedal cable from the front. Take the following steps to route the cable:

- 1 Slide the frame so that the front track is flush with the front edge of your table.

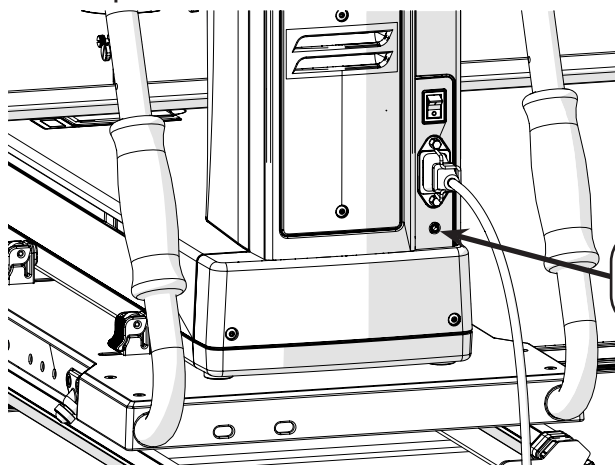


Task 8 - Managing the Foot Pedal Cable (continued)

- 2 Un-clamp your machine and slide it forward so that the front of your machine is flush with the front edge of the top plate. This location decreases the distance the cable has to reach.



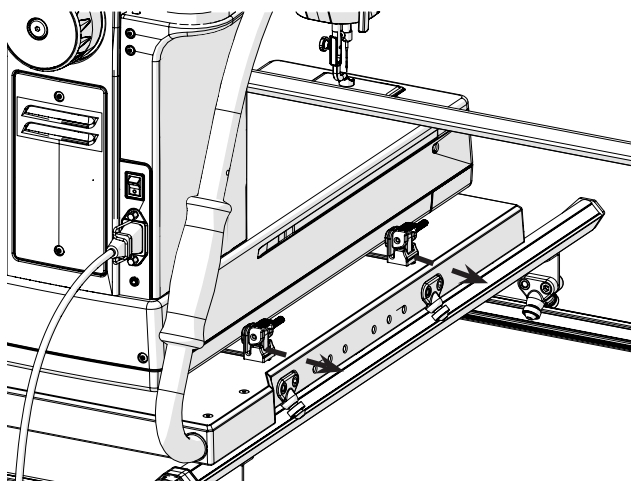
- 3 Check your machine to determine which side your foot pedal port is closest to. To decrease the distance the foot pedal cable has to reach, route the foot pedal cable on the same side as the port.



Foot Pedal Port

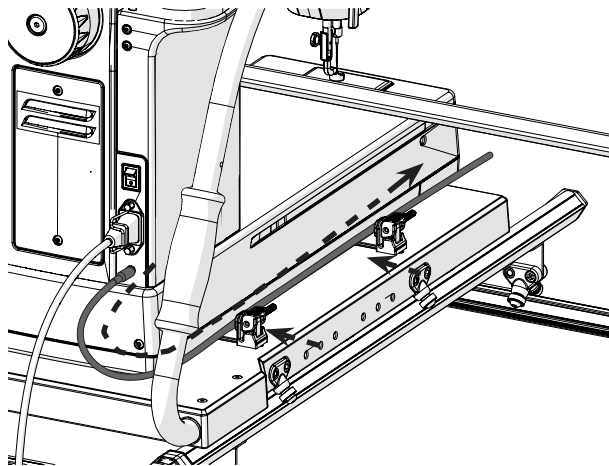
Note: The look and location of the foot pedal port on your machine might vary from the example image.

- 4 On the side you want to route the cable, make sure the machine clamps are away from the machine.

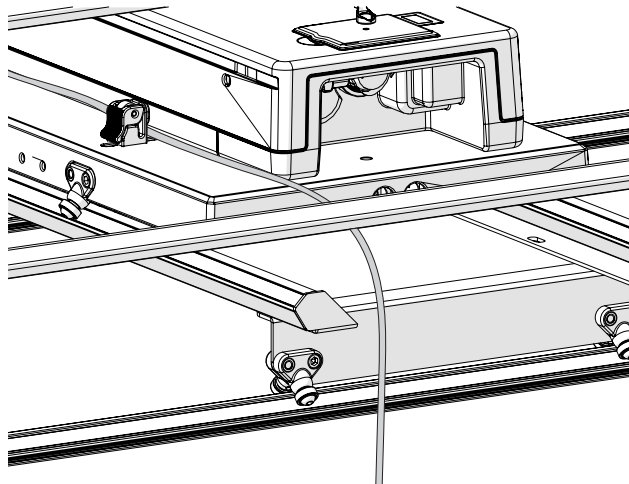


Task 8 - Managing the Foot Pedal Cable (continued)

- 5 Wrap the cable around the machine and tuck it between the machine and the machine clamps. Then re-clamp the machine so that the clamps hold the cable next to the machine and hold the machine in its new position.

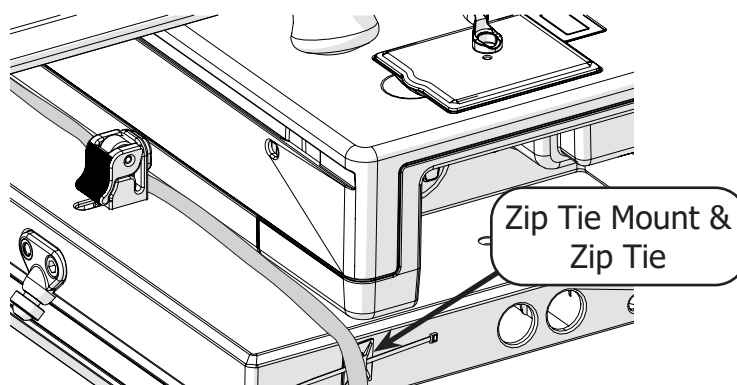


- 6 Route the foot pedal cable off the front of your machine and to the floor as directly as possible. Make sure that the cable isn't underneath any of the wheels on the top plate or the bottom carriage.



- 7 If needed, attach the **zip tie mount** to the top plate, and then **zip tie** the cable to the mount so that the cable doesn't slip off and get in the way of the top plate or the bottom carriage.

To attach the zip tie mount, expose the adhesive and then press the mount firmly to the top plate. Slide the zip tie into the mount, and then wrap the zip tie around the cable to keep the cable in place.



Task 9 - Changing the Location of the Carriage Stop Clip

Instructions

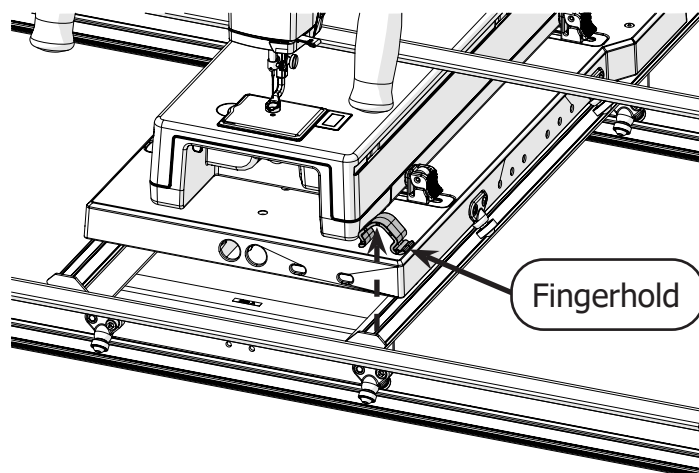
The carriage stop clips keep your machine or top plate from moving too far on the bottom carriage.

When the frame is shipped, the carriage stop clips are installed on the bottom carriage, one on each end, to help keep your machine or top plate on the bottom carriage as you place it.

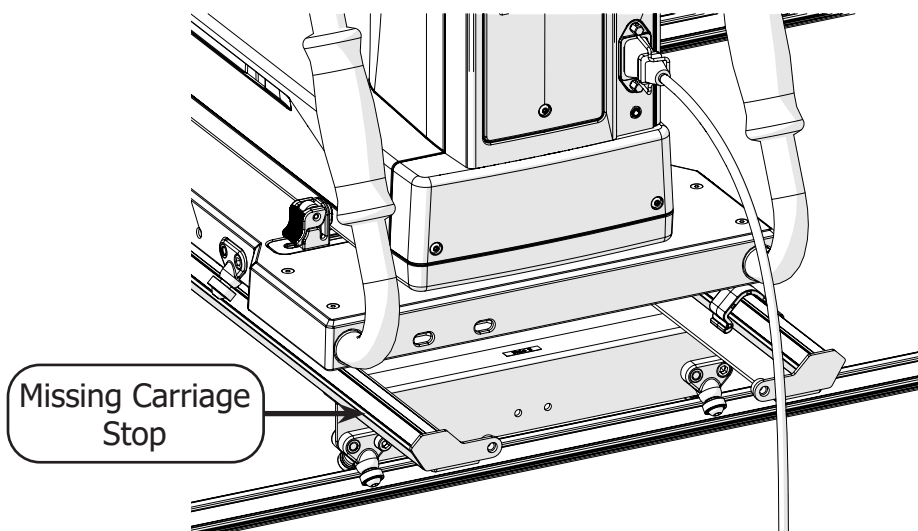
Take the following steps to change the location of the carriage stop clip to the ideal quilting location.

Note: Depending on the way you oriented your bottom carriage (as instructed), and the way the clips were pre-installed, the images in this task might look different from your actual setup. The process is still the same.

- 1 Locate the carriage stop that is on the front of the bottom carriage.
- 2 Use the fingerhold to push up on the clip and remove it from the carriage.

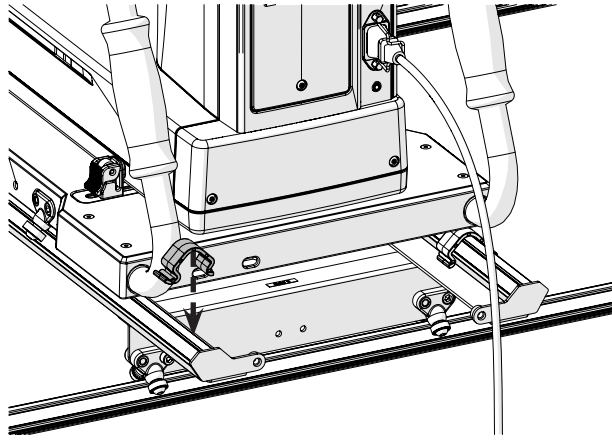


- 3 On the back of the bottom carriage, locate the track that is **missing a carriage stop**.

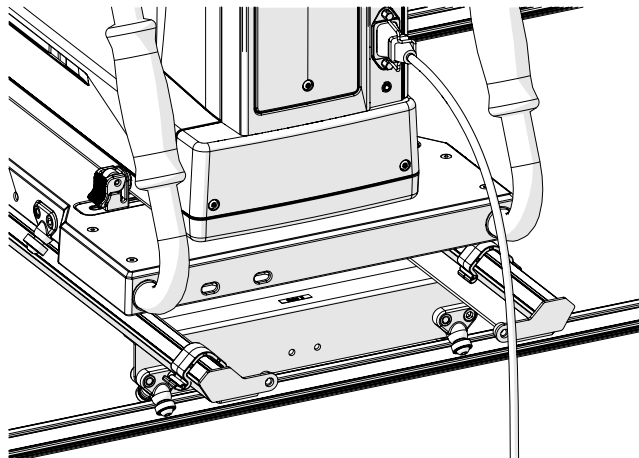


Task 9 - Changing the Location of the Carriage Stop Clip (continued)

- 4 Push the carriage stop clip onto the track. Remember to keep the fingerhold on the outside of the track so that you can easily remove the clip if you need to.



- 5 **Task Result:** The carriage stop clips are both on the back of the bottom carriage tracks, one on each track.



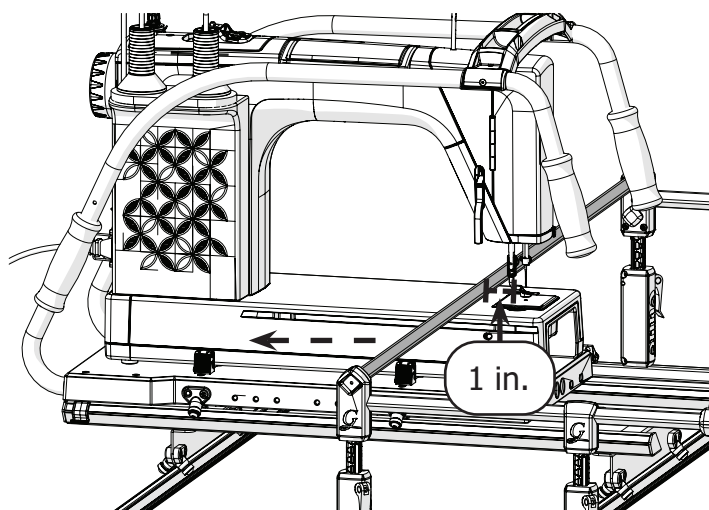
Task 10 - Adjusting the Carriage Stops

Instructions

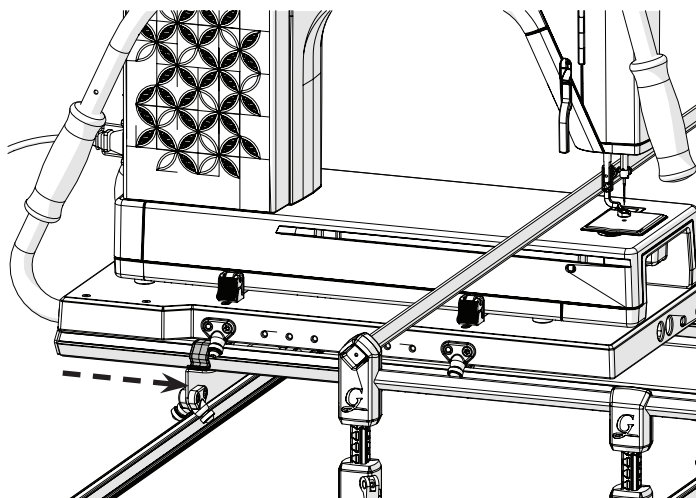
The carriage stops make sure the take-up rail cannot hit the hopping foot on your machine. If the hopping foot hits the take-up rail, it can damage the machine or the rail. Take the following steps to adjust the carriage stops to the correct position so the machine cannot move back too far.

Note: The images in this task show a wheel-less quilting machine on the top plate, but the steps are the same if you are using a wheeled quilting machine.

- 1 Move the top plate until the take-up rail is about 1 inch from the hopping foot on your machine.

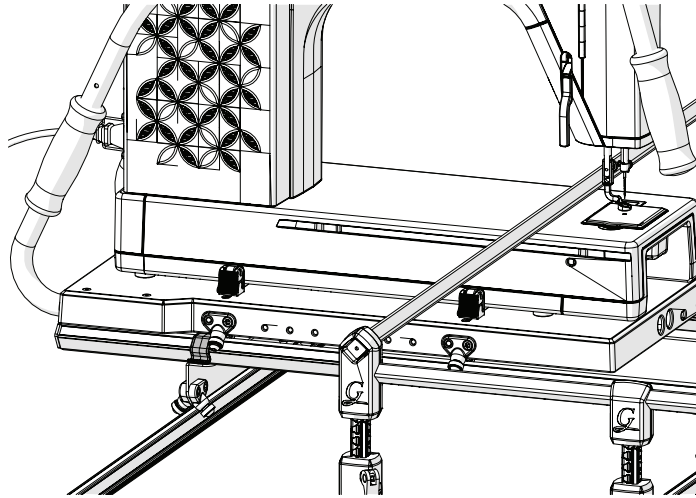


- 2 On each track of the bottom carriage, slide the carriage stop until it touches the wheel of the top plate or wheeled machine. Make sure to adjust both carriage stops to the same location.



Task 10 - Adjusting the Carriage Stops (continued)

- 3 **Task Result:** The carriage stops are adjusted to the correct position to stop the hopping foot from hitting the take-up rail.



Congratulations! You have completed Part Three of the assembly instructions for your frame. Before continuing to Part Four of these instructions, complete the following:

- Quilter's Creative Touch (QCT, formerly QuiltMotion) Part Three (optional accessory)

Part Four

Before completing the tasks in Part Four, make sure you have completed the applicable items listed below. Some items only apply if you have purchased the item they are describing and can be skipped otherwise.

Progress Checkpoint

Have you:

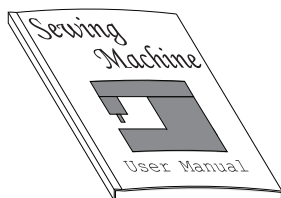
- Completed Part Three of Quilter's Creative Touch (QCT, formerly QuiltMotion)? (optional accessory)

Task 11 - Preparing Your Sewing Machine for Quilting	40
Task 12 - Preparing Your Quilt.....	41
Task 13 - Attaching Your Quilt	43
Task 14 - Tacking Down Your Quilt.....	47
Task 15 - Marking the Safe Area	48
Task 16 - Starting and Ending Your Designs.....	52
Task 17 - Moving Your Quilt to a Different Zone.....	58

Task 11 - Preparing Your Sewing Machine for Quilting

Parts & Tools Needed

Sewing Machine
Manual



(not included)

Free-motion
or embroidery
hopping foot



(not included)

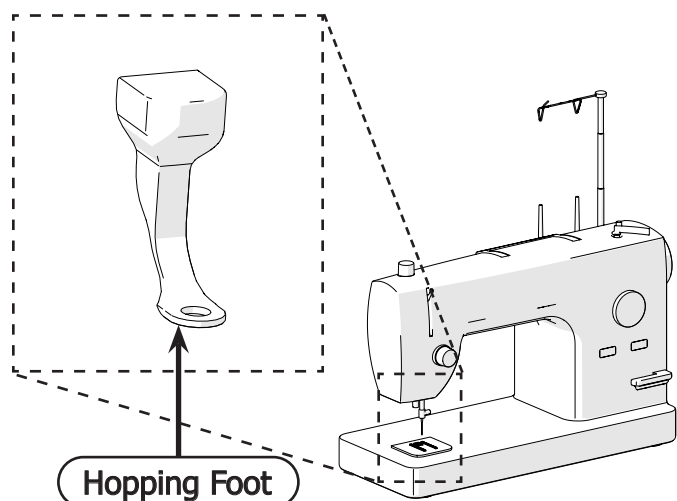
Instructions

If you are using a sewing machine to quilt, you need to prepare the machine for quilting. If you are using a quilting machine, it is already set up for quilting, and you can skip this task.

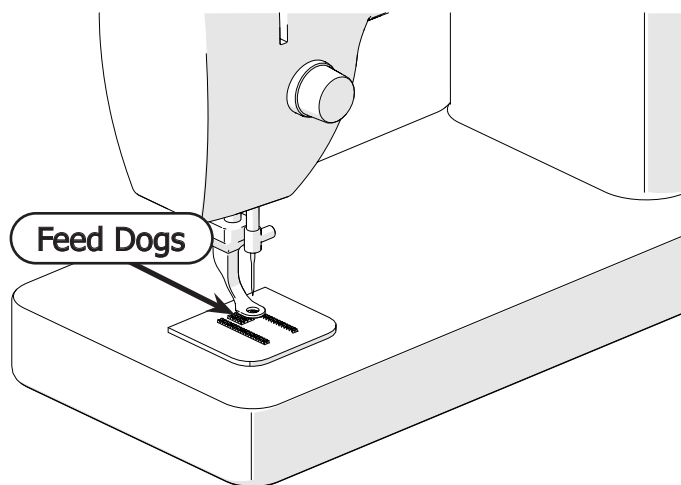
- 1 If the option is available on your sewing machine, switch to quilting mode. For instructions on switching your sewing machine to quilting mode, see your sewing machine user manual.

Note: Not all sewing machines have a quilting mode, but you must use quilting mode if it is available for your machine.

- 2 On your sewing machine, swap out your hopping foot for a free-motion or embroidery **hopping foot**. For instructions on swapping out your hopping foot, see your sewing machine user manual.



- 3 Lower your machine's **feed dogs** so they don't catch on the quilt backing, or install a feed-dog cover plate. For instructions, see your sewing machine user manual. **Note:** Switching to quilting mode might have already lowered your feed dogs.



- 4 **Task Result:** Your machine is prepared for quilting.

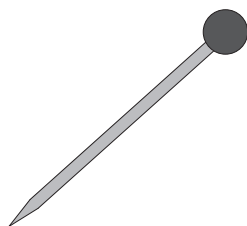
Task 12 - Preparing Your Quilt

Parts & Tools Needed

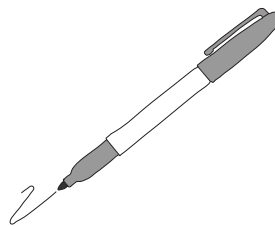
Fabric and Batting
(not included)



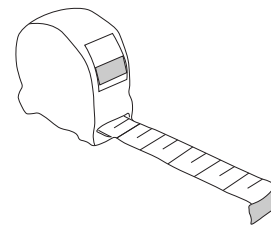
Pins (not included)



Fabric Marking Pencil
or Chalk (not included)



Measuring Tape or
Ruler (not included)



Instructions

Before you put your quilt on the frame, you must prepare your quilt top, backing, and batting. When you cut your backing and batting, you must cut them larger than your quilt top. This extra length helps to position your quilt top so that it is within reach of the machine on the frame. Take the following steps to prepare your quilt.

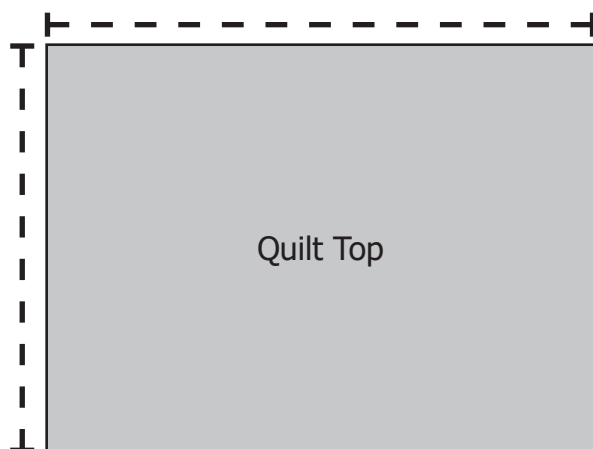
Note: The first time you prepare your quilt, follow these steps with spare pieces of fabric to practice before preparing your actual quilt. Be sure to use all three layers (quilt top, batting, and backing) when practicing.

Tip: Accessory cloth leaders can reduce the amount of backing and batting material required to position your quilt top on the frame. Visit graceframe.com for details.

Note: These steps use the following terminology that you need to be familiar with:

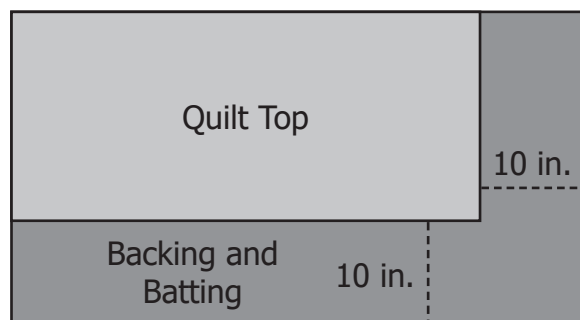
- **Right Side/Wrong Side of Fabric:** Some fabrics have a front side that has a print, texture, or other qualities that the back side does not have, or the fabric might look washed out on the back. The front of the fabric is the “right side.” The side that looks washed out or doesn’t have the print/texture is the “wrong side.”
- **Scrim Side of Batting:** Some types of batting have a structural layer called the “scrim side.” The scrim side often feels coarse or pimply, while the other side feels smooth or puffy.

- 1 Measure the length and width of your **quilt top**. Write down the measurements.



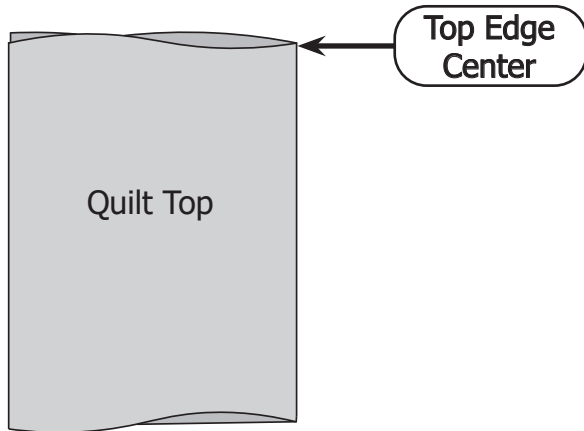
- 2 Cut **backing** and **batting** that is at least 10 inches wider and longer than your quilt top.

Note: If your quilt top is less than 18 inches in length or width, then make the quilt backing and batting at least 28 inches long and wide.

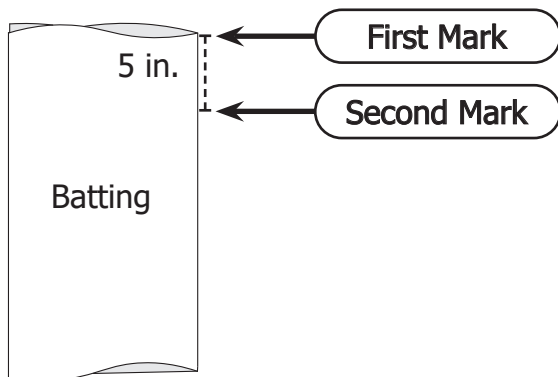


Task 12 - Preparing Your Quilt (continued)

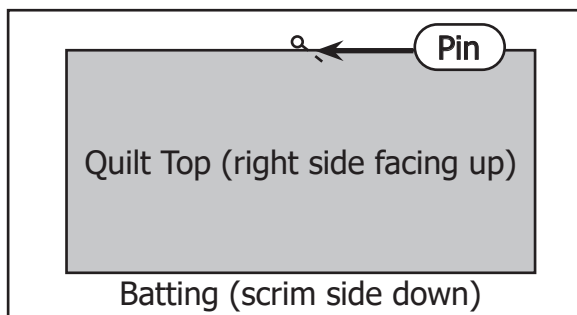
- 3 Fold your **quilt top** in half with the right side facing out. Mark the **center of the top edge** with a pin or marker on the right side of the fabric.



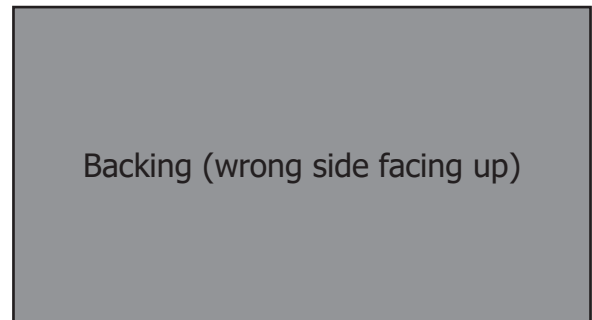
- 4 Fold the batting in half with the scrim side facing in and **mark** the center of the top edge with a pin or marker. Then use a ruler to make a **second mark** 5 inches below the first.



- 5 Align the mark on the quilt top with the second mark on the batting. **Pin** the two layers together, so the right side of the quilt top is facing up, and the scrim side of the batting is facing down.

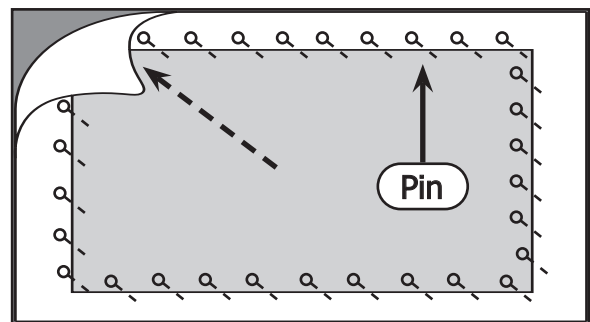


- 6 Lay your quilt backing down, wrong side facing up.

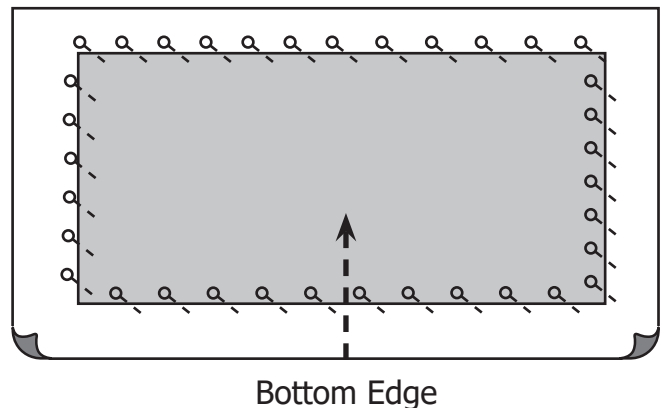


- 7 Lay the batting and quilt top over the backing and **pin** the layers together.

Tip: Roll the batting and quilt top layer up, place it on the top of the quilt backing, and then unroll it to align the layers.



- 8 Roll the quilt up from the **bottom edge** so you can easily carry it to your frame.

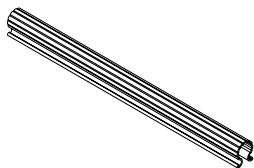


- 9 **Task Result:** Your quilt is prepared for placing on the frame.

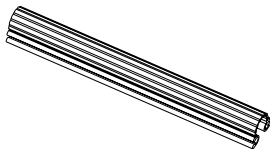
Task 13 - Attaching Your Quilt

Parts & Tools Needed

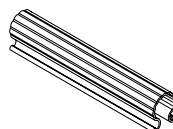
Front Fabric
Clamp (x2)



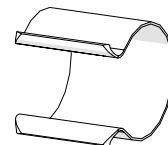
Back Fabric
Clamps (x3)



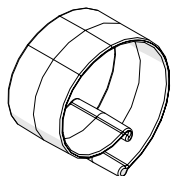
Side Fabric
Clamps (x2)



Mini Clips (x3)



Coil Clamps (x3)



Instructions

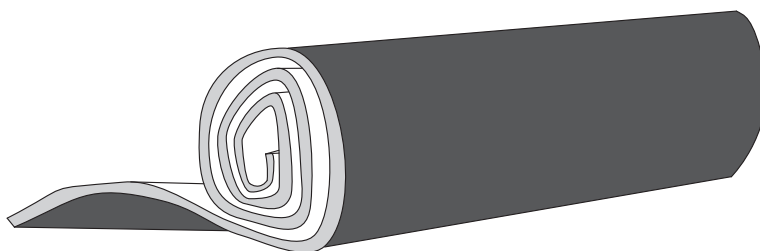
Once your quilt is prepared, attach your quilt to the frame. The first time you attach your quilt, you must assemble the back fabric clamps with the coil clamps. Use the clamps to hold your quilt to the rails on the frame. When you're finished quilting, store the clamps on the rails.

Depending on the size of your quilt, it might not fully cover the frame and some of the clamps won't be used. While it's fine to work with the quilt only covering part of the frame, you might find that the quilt sides sag a little, which might affect the fabric tension and stitch tension on your quilt. If the sagging bothers you, you can purchase bungee clamps to hold the sides of your quilt in these situations. Visit graceframe.com for details.

Note: You might find it easier to completely prepare your machine if you get it ready before you attach your quilt. To prepare your machine, you must plug in the machine, wind a bobbin and insert it into the machine, and thread the machine. See your machine manual for more information on these tasks.

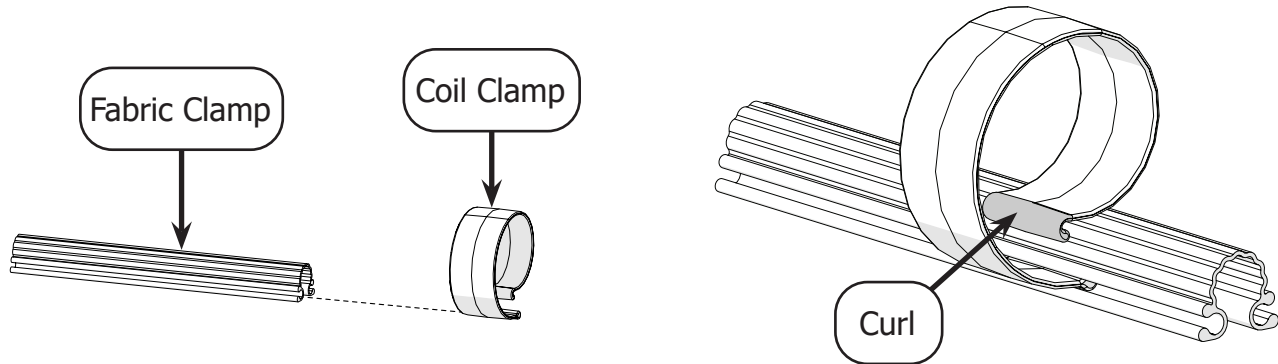
Take the following steps to attach your quilt:

- 1 Carry your rolled-up quilt to your frame.

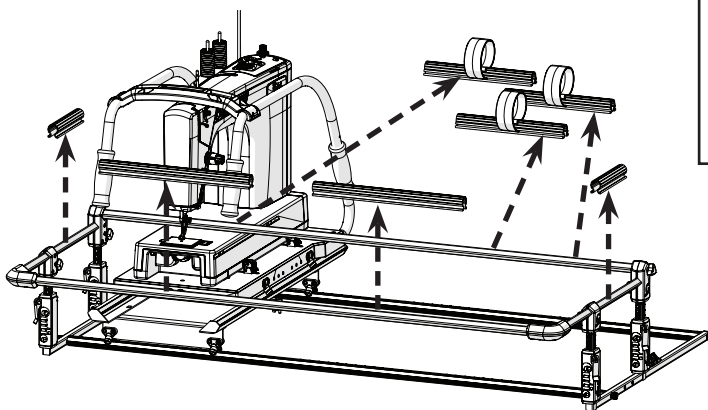


Task 13 - Attaching Your Quilt (continued)

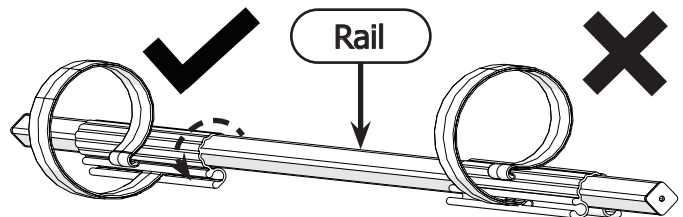
- 2 To assemble the back fabric clamps, slide the **coil clamps** into the side of the **fabric clamps**. Make sure the **curl** of the coil rests on top of the fabric clamp. Each fabric clamp needs one coil clamp. **Note:** Once the coil clamps are assembled, you can leave them like that. You don't need to take them apart after quilting.



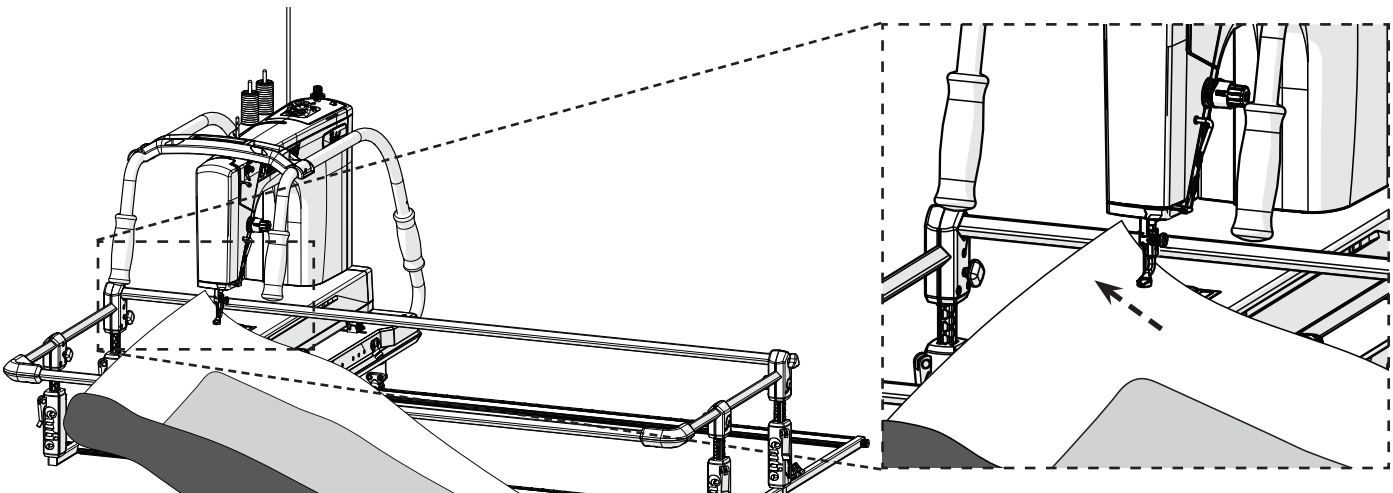
- 3 Remove all fabric clamps from the rails. Pry the lips of the clamp away from each other and then pull the clamp off the rail. **Note:** The first time, your fabric clamps might already be off the frame from when you set it up. The rails are a great place to store the clamps after assembling your frame.



Tip: When you remove the clamps from the rail, orient the clamps so that they are lined up with a flat side of the rail, rather than an angle of the rail, before you pull the clamps off.

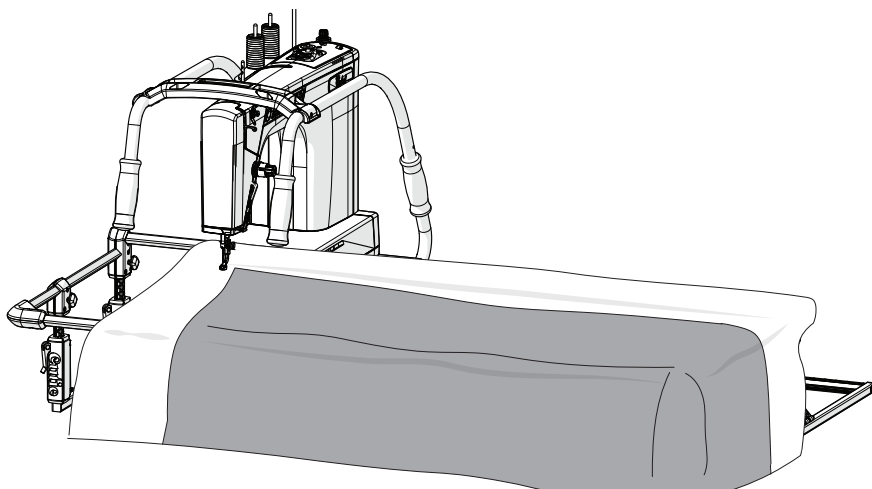


- 4 Raise the needle on the machine. Slide the top edge of the quilt under the hopping foot.

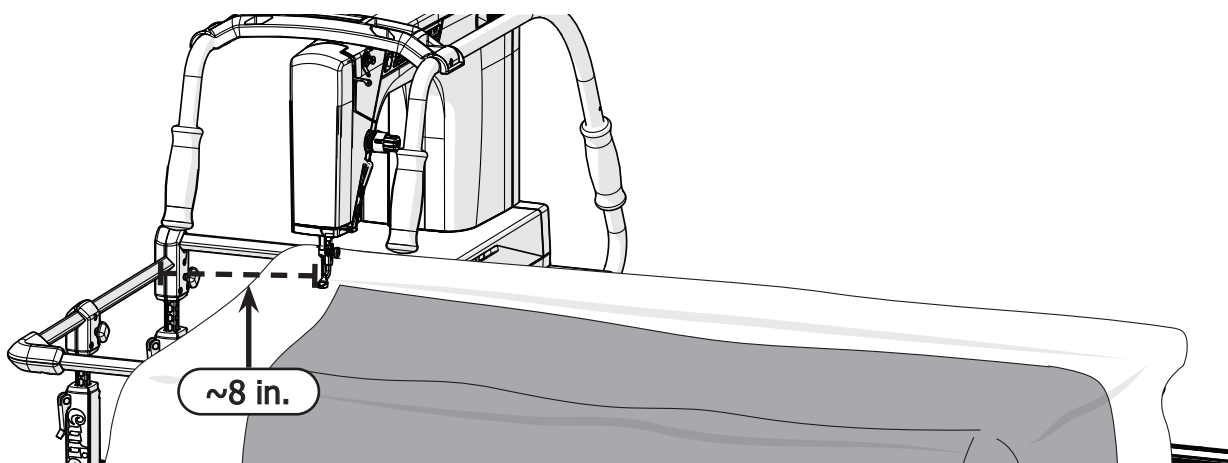


Task 13 - Attaching Your Quilt (continued)

- 5 Position the fabric over the rails, and make sure you square up the edges of your quilt with the frame rails. Remember that it's ok if your quilt is too small to cover every rail.

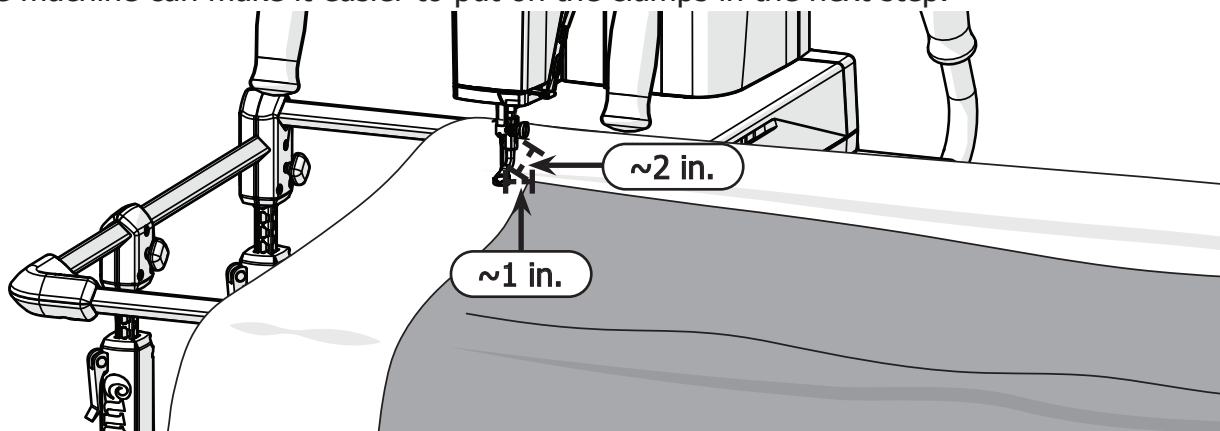


- 6 Align your machine in the back-left corner so that the needle is about **8 inches** from the left side rail.



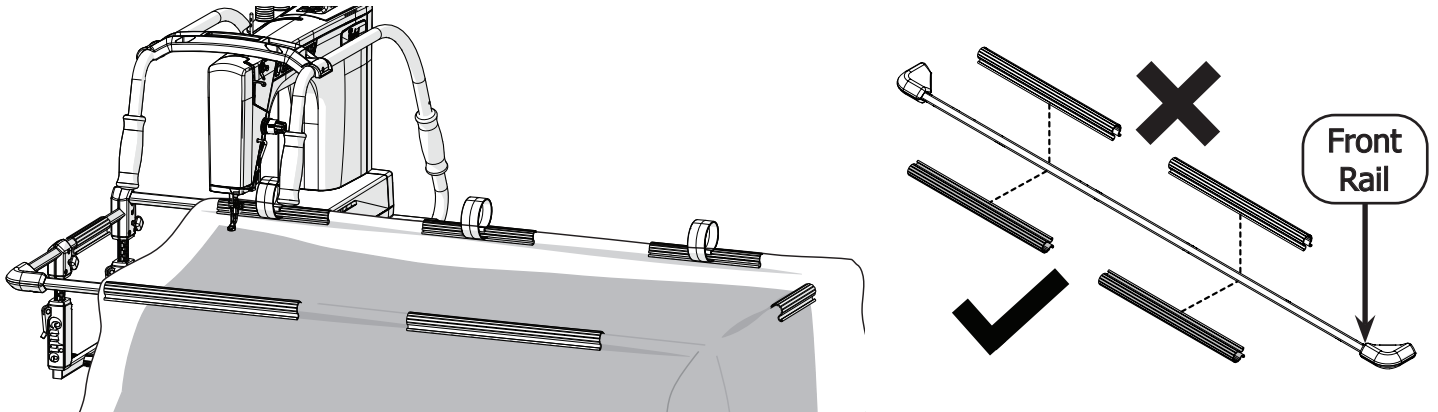
- 7 Align the top-left corner of your quilt top about **1 inch** to the right of the needle and about **2 inches** in front of the take-up rail.

Tip: Once you have the quilt in the correct place, feel free to move the machine as needed. Moving the machine can make it easier to put on the clamps in the next step.

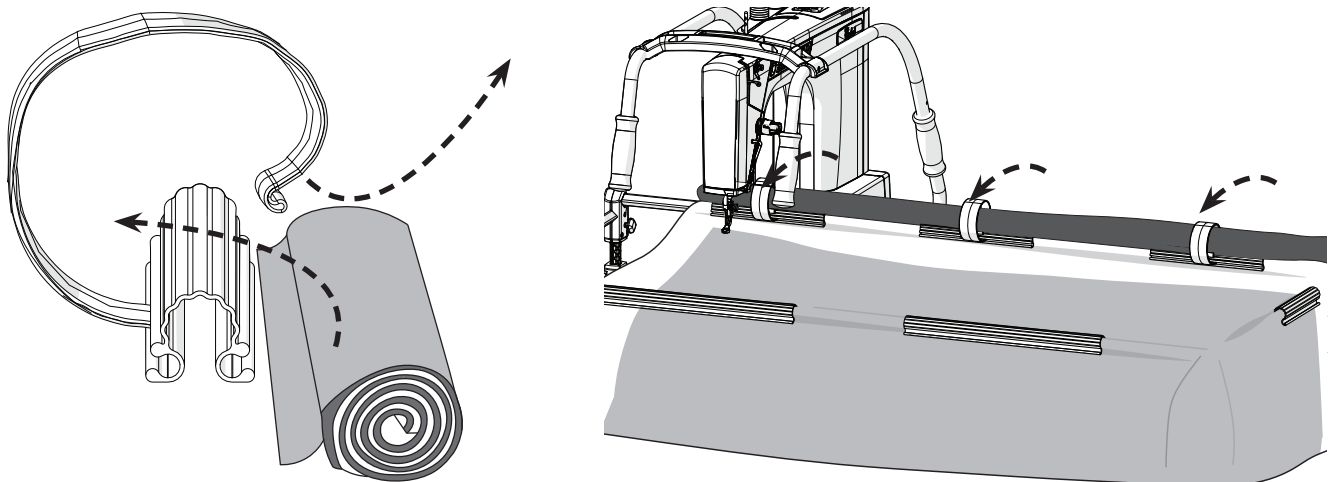


Task 13 - Attaching Your Quilt (continued)

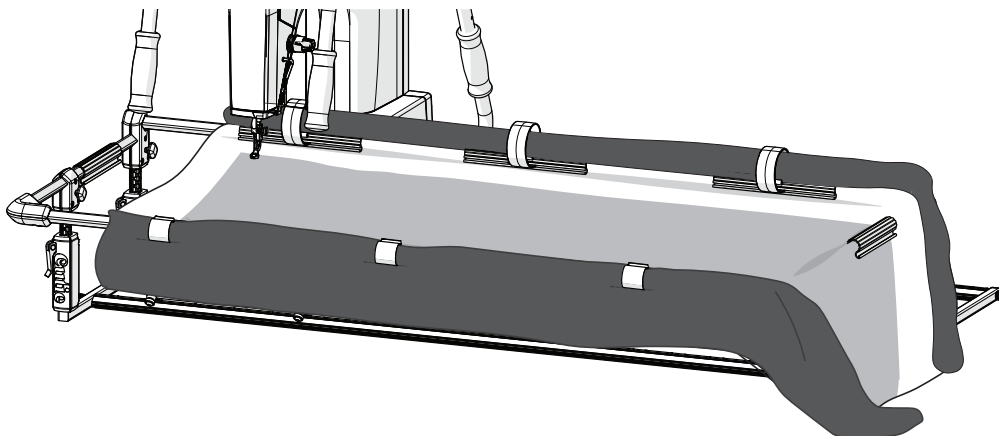
- 8 Press the fabric clamps onto the rails to hold the fabric in place. For the take-up rail, use the clamps with the coils and make sure that the coil curls toward the back of the frame. Make sure to keep the fabric wrinkle free as you attach the fabric clamps. **Note:** The front clamps work best when attached from the front of the **front rail**, rather than from the top of the rail.



- 9 If your fabric is crumpled up in the throat of the machine, then roll up the edge of your quilt in the throat of the machine. Pull out the coil, and then slip the rolled fabric into the coil clamps.



- 10 If your fabric is draping over the front rail, then flip up the edge of the fabric onto the rail. Slide the mini clips over the fabric edge to secure it.



- 11 **Task Result:** Your quilt is attached to the frame.

Task 14 - Tacking Down Your Quilt

Instructions

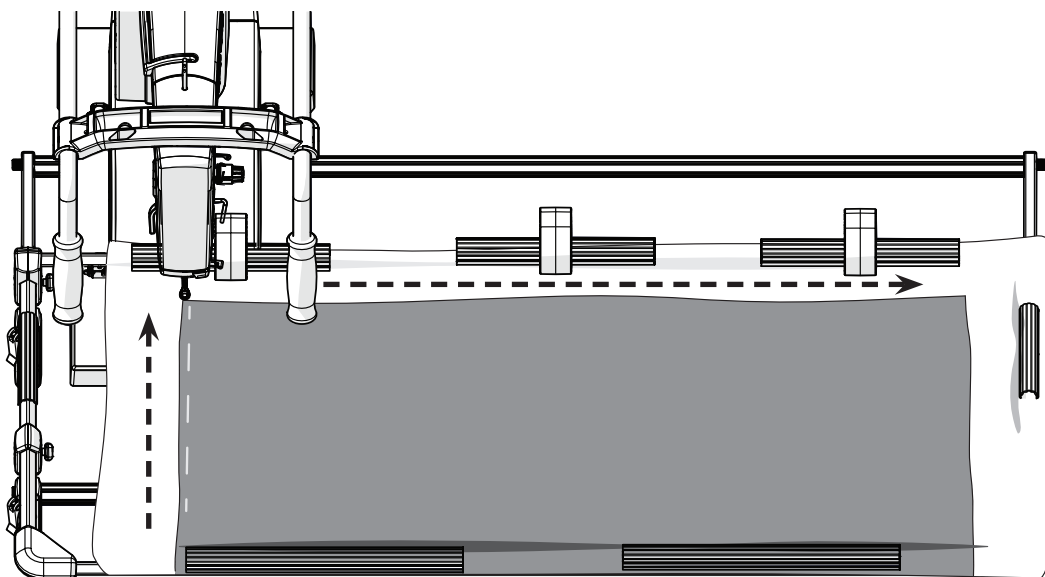
Tacking down the edges of your quilt helps keep your quilt top from shrinking or scrunching up as you fill it in. Tacking down your quilt also helps stabilize the quilt layers.

At the beginning, you might only be able to tack down the left and top edges of the quilt top. However, as you move the fabric to stitch other parts of the quilt, you must tack down any other edges that fit in the hoop frame.

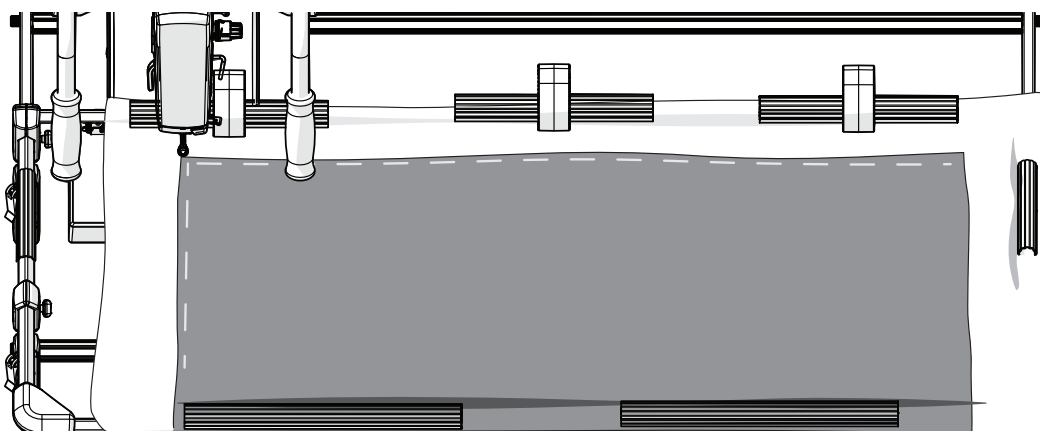
Take the following steps to tack down your quilt:

- 1 Using a large stitch size (that's easy to pick out later), stitch along the edges of the quilt top, about a quarter of an inch from the backing and batting.

Note: Every time you move your quilt to sew a new area, tack down the revealed edges.



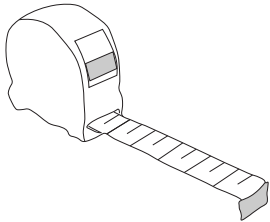
- 2 **Task Result:** The quilt top is tacked down, helping to prevent the edges of the quilt creeping inward.



Task 15 - Marking the Safe Area

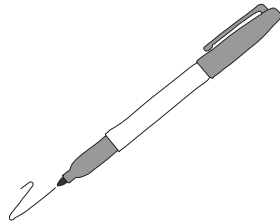
Parts & Tools Needed

Tape Measure or Ruler



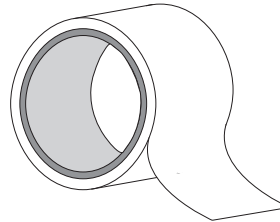
(not included)

Fabric Marking
Pencil or Chalk



(not included)

Painter's Tape



(not included)

Instructions

Different sewing machines have different amounts of reach over the quilt depending on their throat space. When you are first becoming familiar with your frame, it can be easy to forget that your machine cannot reach all the way to the edge of the frame.

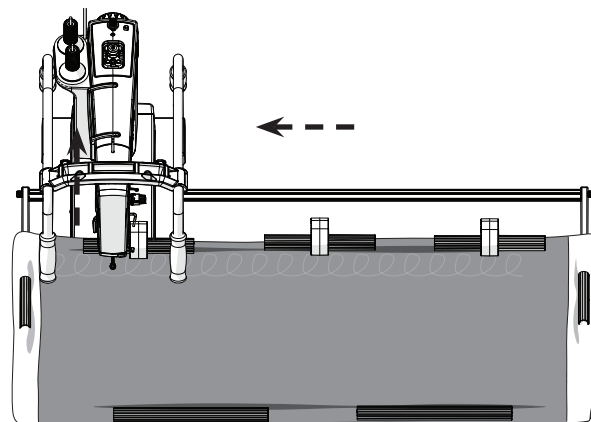
To help you get an idea of the reach of your machine, mark out the "safe area" with tape, chalk, or washable fabric marker. The safe area is everywhere within the frame hoop that your machine can reach and make stitches in without bumping any rails.

Knowing the safe area keeps your machine, your frame, and, most importantly, your quilt safe from problems that can arise outside of the safe area.

With your quilt on the frame, take the following steps to mark out your safe area:

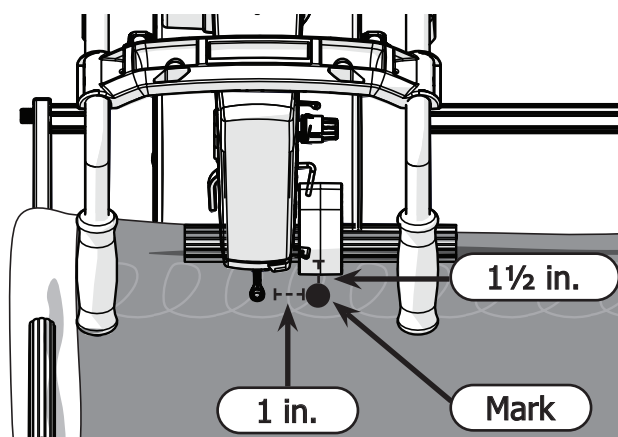
- 1 Move your machine to the back-left corner of the frame.

Note: The images in this task show a quilt that is in the middle of the quilting process. However, the steps to mark out the safe area are the same throughout the quilting process.



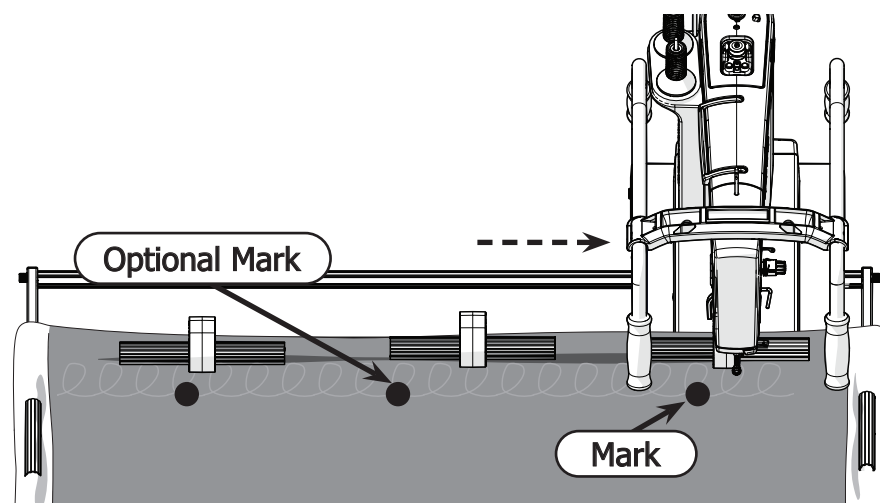
Task 15 - Marking the Safe Area (continued)

- 2 Mark **1½ inches** from the take-up rail or that area (see note) and **1 inch** from the right of your needle with your marking tool. This **mark** indicates the farthest left and back you can quilt before you risk hitting the take-up or side rail.



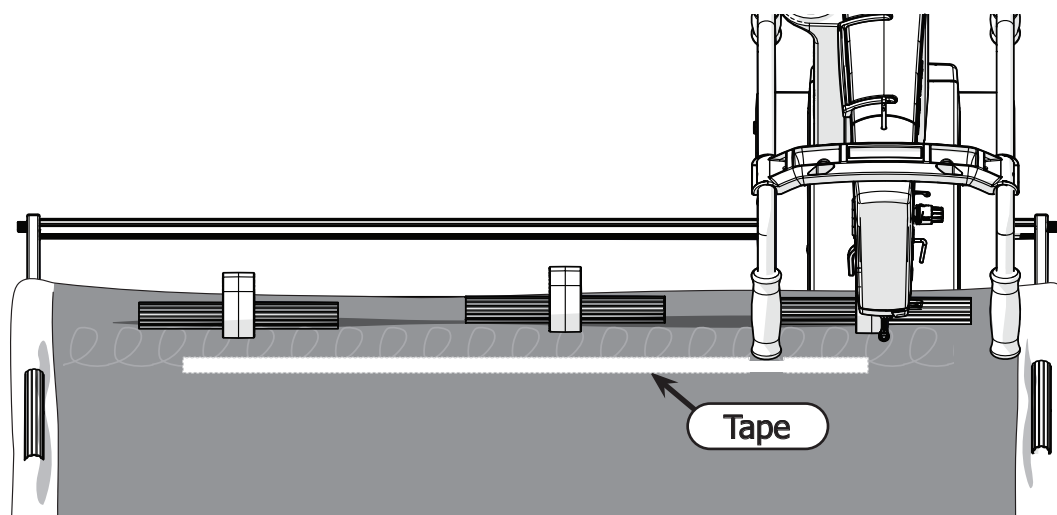
Note: When you're deciding where to measure the 1½ inches from, look at the items on the take-up rail (such as the coil clamp) and what parts of your machine (such as the presser bar lever) might hit those items. It might make more sense to measure from that item (for example, the coil clamp) rather than from the take-up rail itself. With a big quilt, you might end up measuring from where the roll of fabric sticks out over your hoop.

- 3 Move your machine to the back-right corner of the frame. **Mark** the corner 1½ inches from the take-up rail and 1 inch from the left of your needle. The note from step 2 applies in this step.



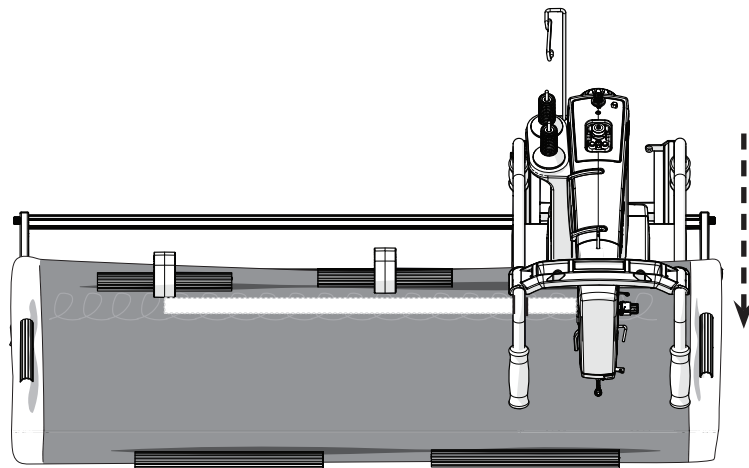
Tip: It might help to make a few **optional marks** (1½ inches from the take-up rail) in between the corner marks to more clearly indicate where the edge of the safe area is.

- 4 **Tape** a line over your marks. Now you have a clear indication of the boundary for the safe area near the take-up rail.

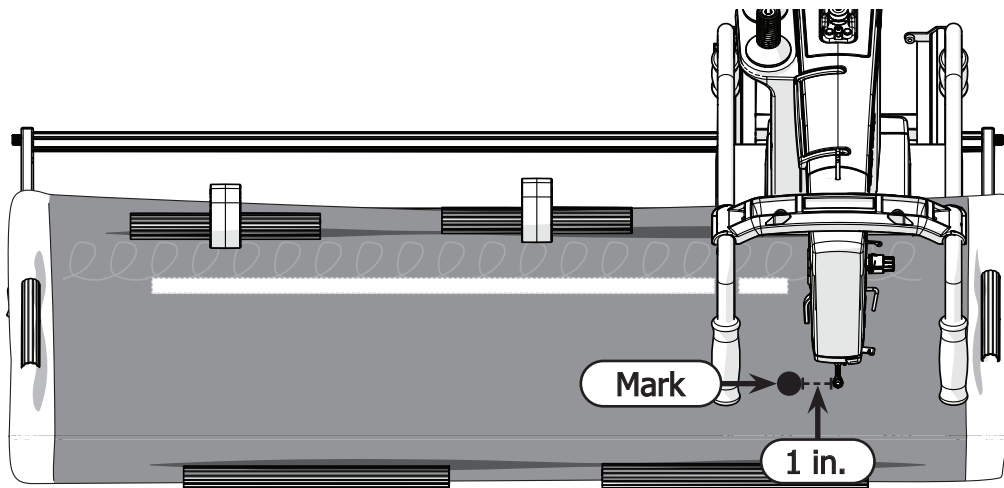


Task 15 - Marking the Safe Area (continued)

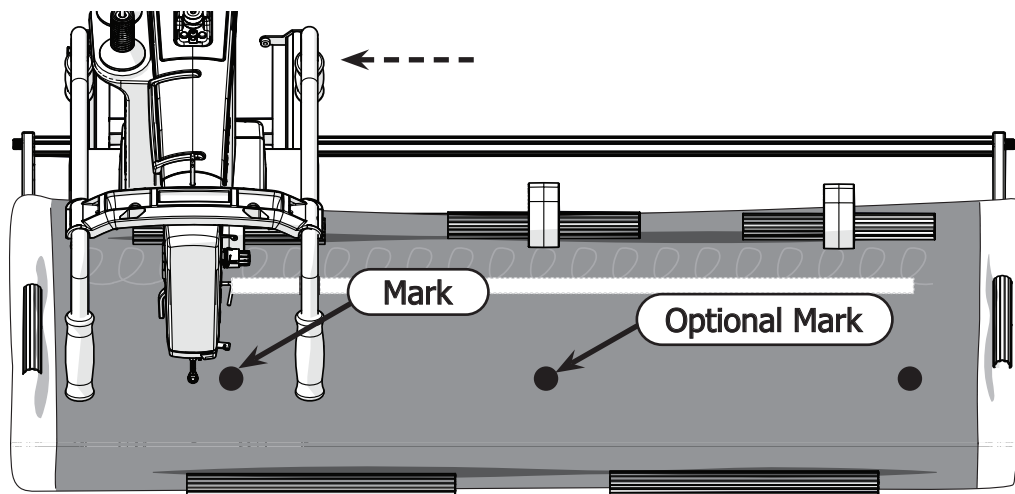
- 5 Move your machine to the front-right corner of the frame, as far forward as you can.



- 6 Mark **1 inch** from the left of the needle. This **mark** indicates the farthest right and forward you can quilt before you risk hitting the side rail.



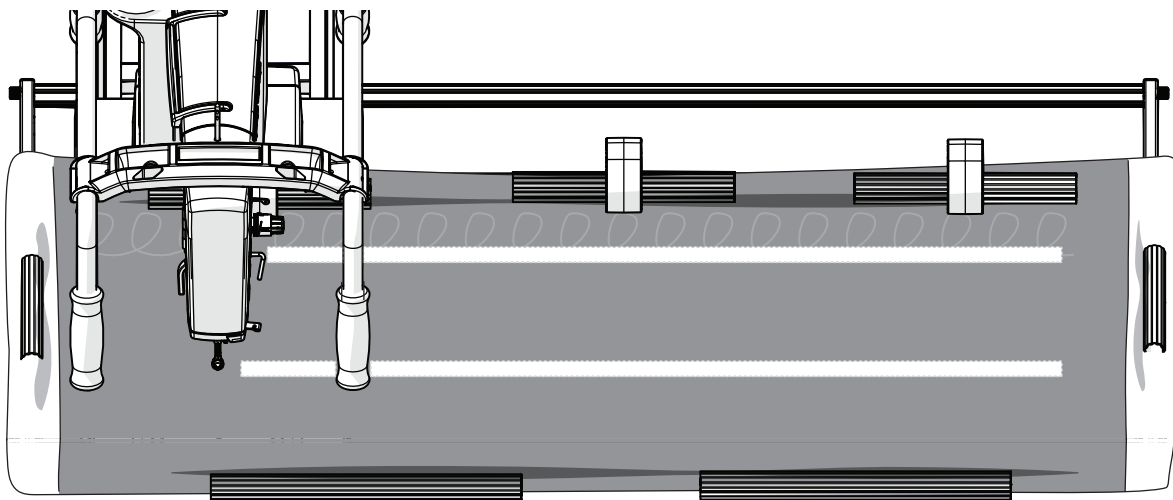
- 7 Move your machine to the front-left corner of the frame. **Mark** 1 inch from the right of the needle. This **mark** indicates the farthest left you can quilt before you risk hitting the side rail.



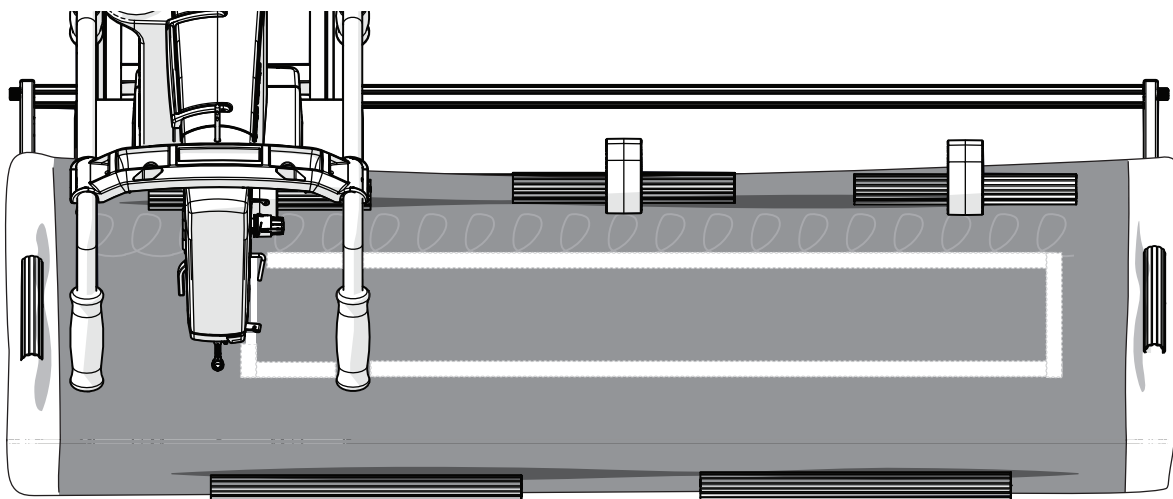
Tip: It might help to make a few **optional marks** in between the corner marks to more clearly indicate where the edge of the safe area is. Create the optional marks by stopping a few times while moving the machine to the front-left corner, and marking where the needle is.

Task 15 - Marking the Safe Area (continued)

- 8 Tape a line over your marks. When you are finished, you have a clear indication of the boundary for the safe area near the front rail.



- 9 To mark the sides of your safe area, tape between the left ends of the front and back tape, and then tape between the right ends of the front and back tape.



- 10 **Task Result:** The safe area is marked, and you can easily see where your machine can reach on the frame.

Reminder

Repeat the process of marking the safe area each time you move the quilt on the frame.

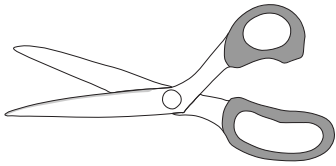
As you become more familiar with how your machine fits on your frame, you might memorize the boundaries and no longer need to apply the marks and tape. You might also discover that the safe area changes size slightly depending on the size of your quilt and how much fabric is rolled up in the throat of the machine.

Remember that the safe area keeps your machine, your frame, and, most importantly, your quilt safe. If you have any doubt that you know the safe area, take the time to find and mark the safe area after each time you move your quilt.

Task 16 - Starting and Ending Your Designs

Parts & Tools Needed

Scissors



(not included)

Note: In this task, the images of the sewing machine's needle area might not match your machine, but the processes described still work the same.

Instructions

With the frame assembled, your machine prepared, and the fabric attached to the frame, you are ready to begin quilting. As you quilt, follow the steps in this task to start and end your designs, which makes sure that your quilting is secure and neat.

Note: Practice starting, stitching, and ending your designs on spare fabric to become familiar with your machine and how it moves on the frame. Practice increases your confidence and decreases your mistakes when you start your quilting projects. It is normal to make mistakes, so do not be discouraged if your practice stitches do not look perfect right away. Keep practicing with spare fabric until you feel confident in your stitches.

1 Make sure you are ready to quilt by checking each of the following items:

- Your machine is in quilting mode (if available).
- Your machine has the correct hopping foot installed.
- Your machine's feed dogs are lowered or covered.
- Your machine is threaded and tensioned correctly.
- Your machine is plugged in.
- Your fabric is attached to the frame.
- Your safe area is marked.
- Your hopping foot is lowered.
- Your quilt is tacked down on at least the left and top edge of the quilt top.

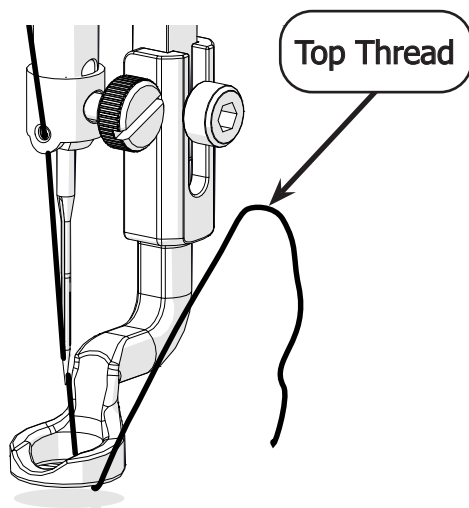
Tip: Before you start stitching, draw your design on the fabric with a marking tool. Especially when you are practicing, tracing a design or your name is helpful to receive feedback on how your movements affect your stitches.

2 Before you start stitching, pull up your bobbin thread to prevent the thread tail from dangling underneath the fabric and getting sewn in place as you quilt. Take the following steps to pull up your bobbin thread at the start of stitching:

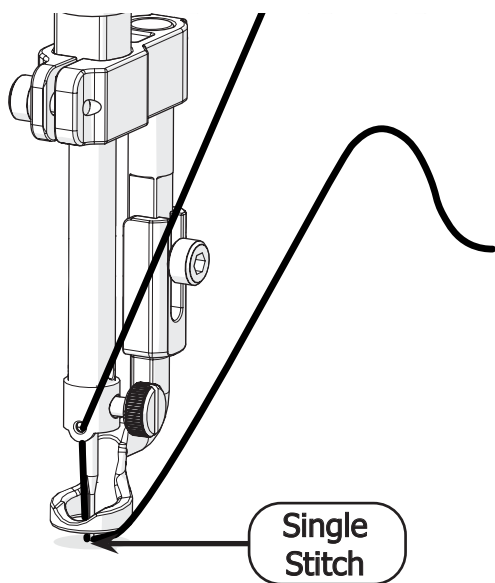
- a Position the needle directly above where you want to begin your design. In general, when you are starting a design, position the needle in the top-left corner of your safe area.

Task 16 - Starting and Ending Your Designs (continued)

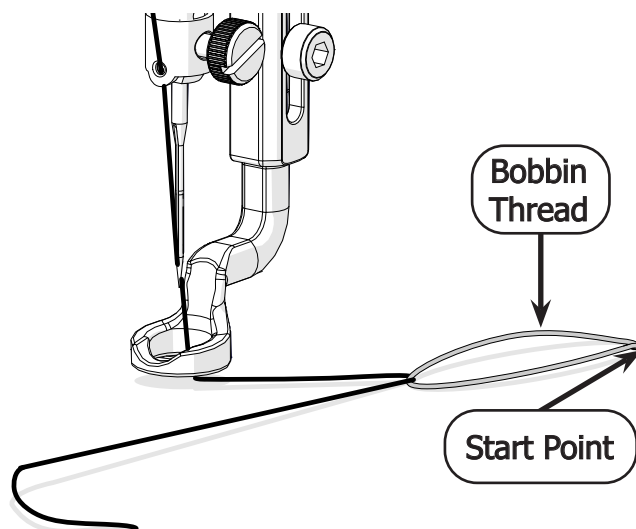
- b Pick up and hold the **top thread tail** so that it is tight. **Note:** It doesn't matter whether the thread is under the foot or not.



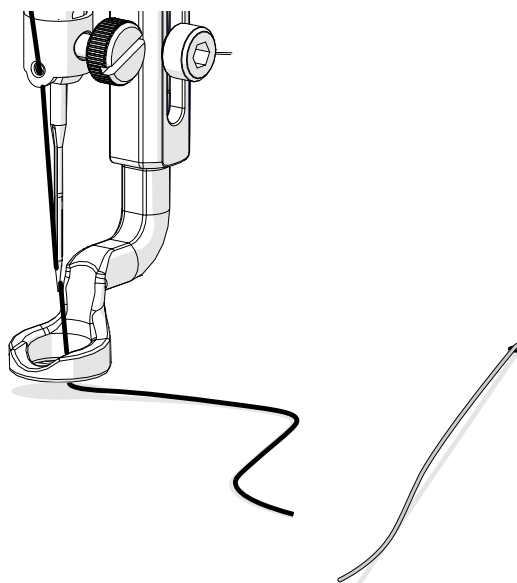
- c While still holding the top thread tail, make a **single stitch**. If your machine has a single stitch button, press it once. If it has a needle up/needle down button, press it twice. You can also use the hand wheel if your machine doesn't have a button.



- d Continue holding the top thread tail, and move the machine several inches to the side. The top thread pulls a loop of **bobbin thread** through the **start point** in the top of the fabric.

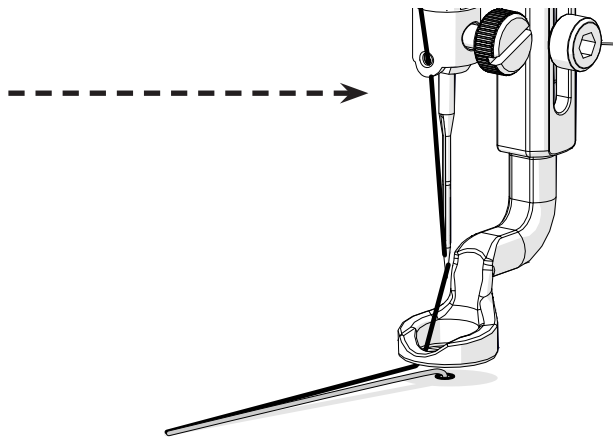


- e Continue pulling until the loose end of the bobbin tail comes up from underneath the fabric. **Tip:** Once the loop is big enough, hook your finger in the loop to pull on the bobbin thread and pop it out.

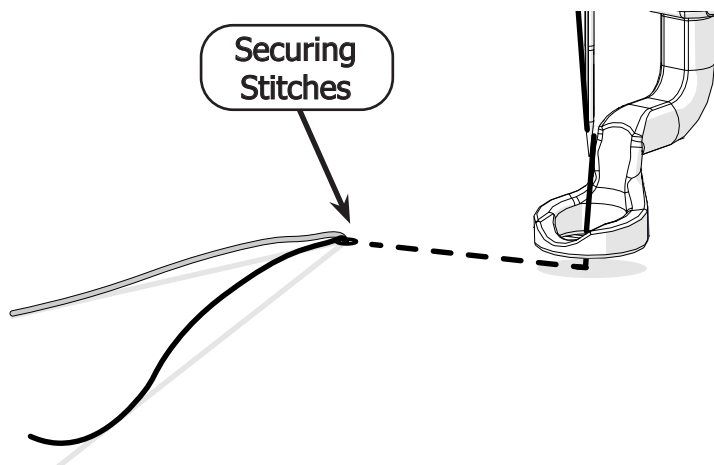


Task 16 - Starting and Ending Your Designs (continued)

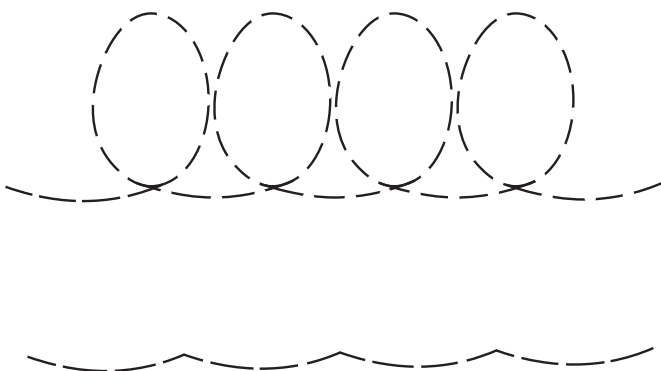
- f Gather up both thread tails and move the machine back to the start point. Pull on the thread tails, especially the bobbin tail, until both threads are tight.



- 3 Secure your design by making three **securing stitches** very close together right next to the place where you pulled up the bobbin thread. Then begin stitching.



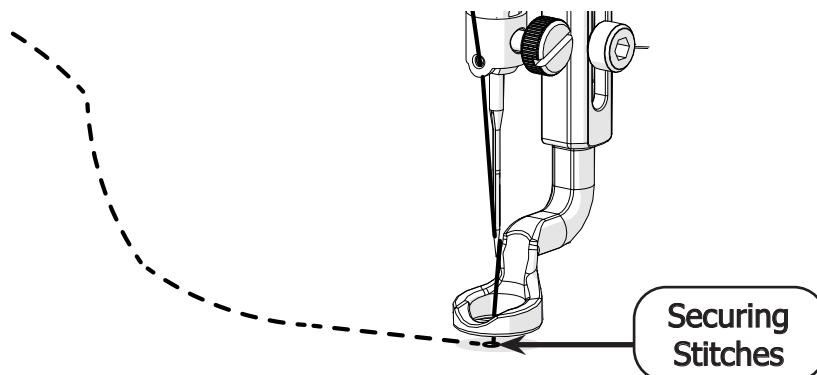
- 4 Especially if you are practicing, as you stitch your design, pay attention to how your stitches change based on the speed at which you move the machine. Vary your speed to determine your ideal movement speed. **Note:** If you have a quilting machine or a stitch regulator, the speed at which you move the machine doesn't change the stitches.



Grace

Task 16 - Starting and Ending Your Designs (continued)

- 5 Complete your design by making three **securing stitches** very close together at the end of your design.

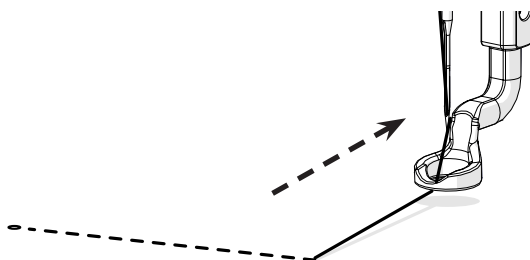


- 6 Pull up your bobbin thread to prevent the thread tail from dangling underneath the fabric and getting sewn in place as you quilt.

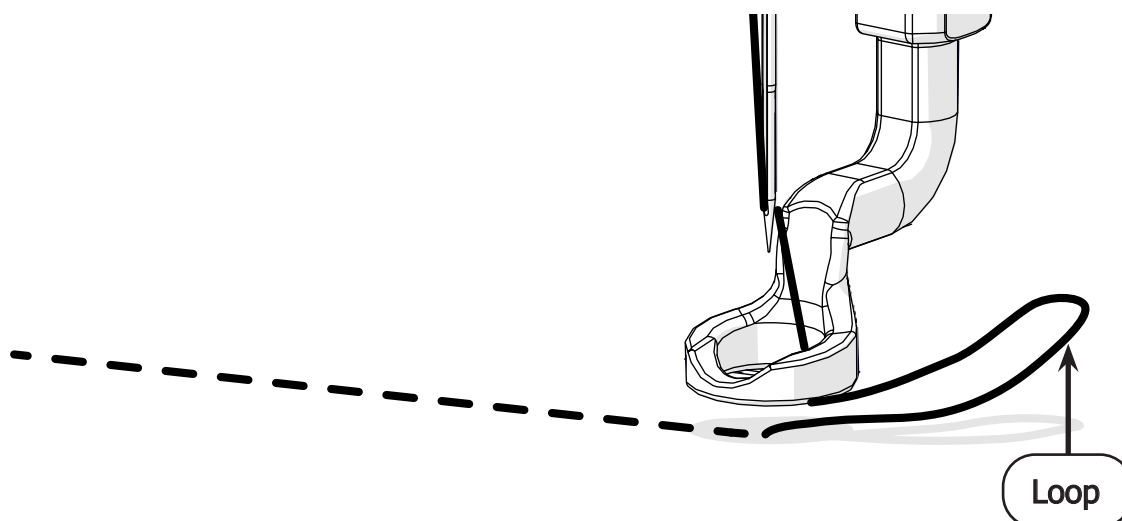
Note: The process of pulling up the bobbin thread at the end of stitching is slightly different than at the start of stitching.

Take the following steps to pull up your bobbin thread at the end of stitching:

- a Move the machine away from the last stitch.

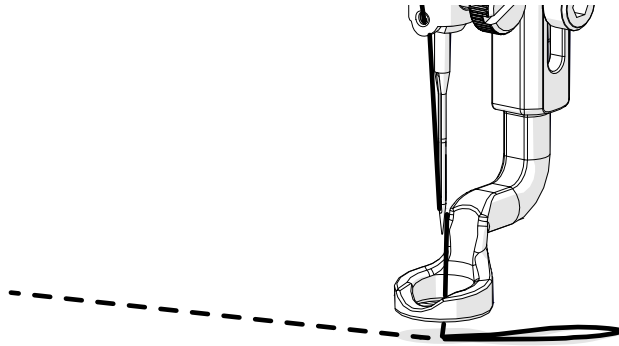


- b Hold the top thread to make a **loop**, and then return the needle to the last stitch.

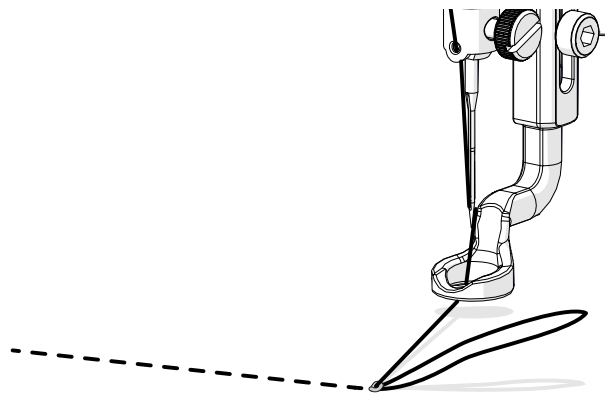


Task 16 - Starting and Ending Your Designs (continued)

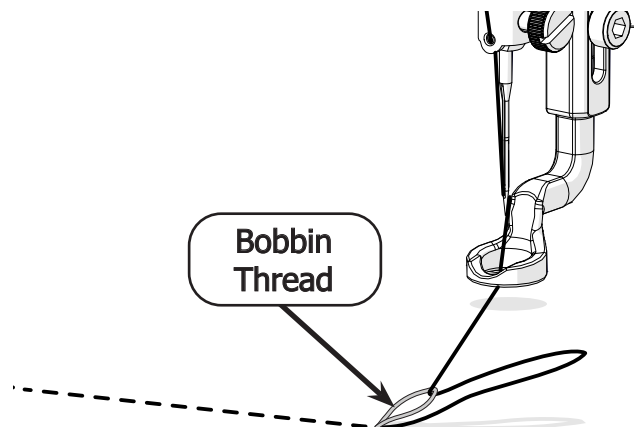
- c While still holding the loop, make a single stitch over the last securing stitch.



- d Continue to hold the loop and move the machine away from the last stitch again.

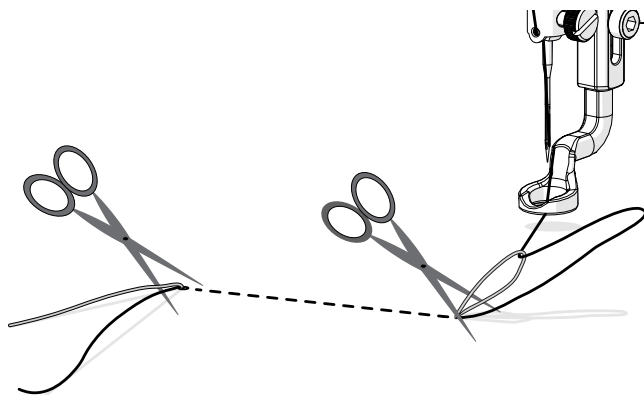


- e As you move away from the last stitch, a loop of **bobbin thread** is pulled up. Keep moving away until the loop is big enough to grab.



Task 16 - Starting and Ending Your Designs (continued)

- 7 Cut all threads close to the securing stitches at the end of the design. Also cut the thread tails from the beginning of your design. If you are practicing, keep trying different designs until you feel comfortable with how your machine feels and moves on the frame, and you are confident that you know how to pull up the bobbin thread at the end of your designs.



Tip: When you need to access your machine's bobbin case, move the machine to a corner of the frame and carefully pull the edge of the quilt aside.

Congratulations! You have finished your first design and practiced starting, stitching, and ending your design with your machine and frame. Once you are comfortable with using your machine and frame together, you are ready to begin your quilting journey. If you are using a Q'nique quilting machine, continue to Part Four of your machine instruction manual for detailed information on specific stitching modes that you can use to create your projects. Otherwise, continue to the next task to learn how to move your quilt to a different zone.

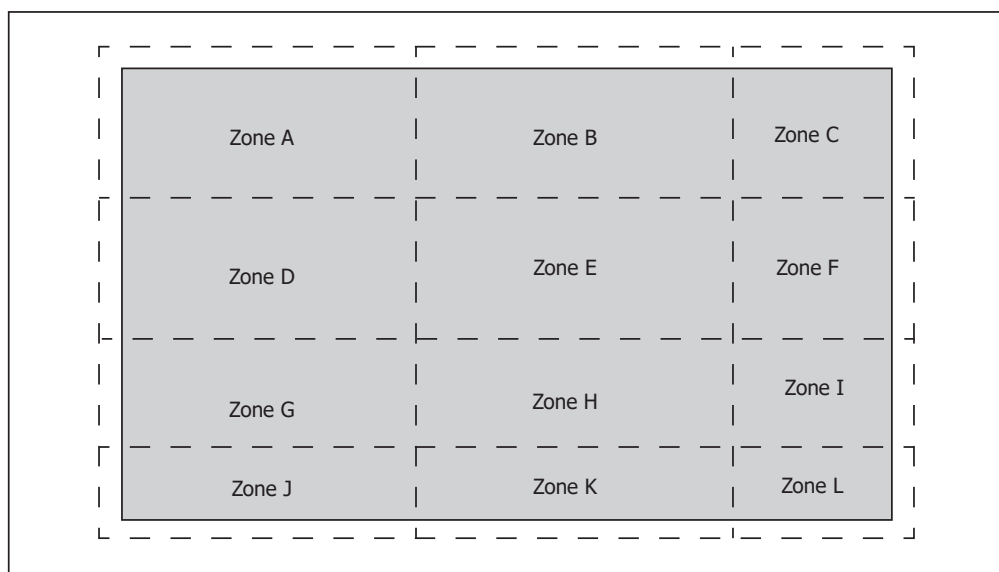
Task 17 - Moving Your Quilt to a Different Zone

Instructions

Many quilts are larger than the frame's hoop. Therefore, you must break up the quilt into zones that you fully quilt before you move the quilt to a different section. The following image is an example of how you might set up the zones on your quilt.

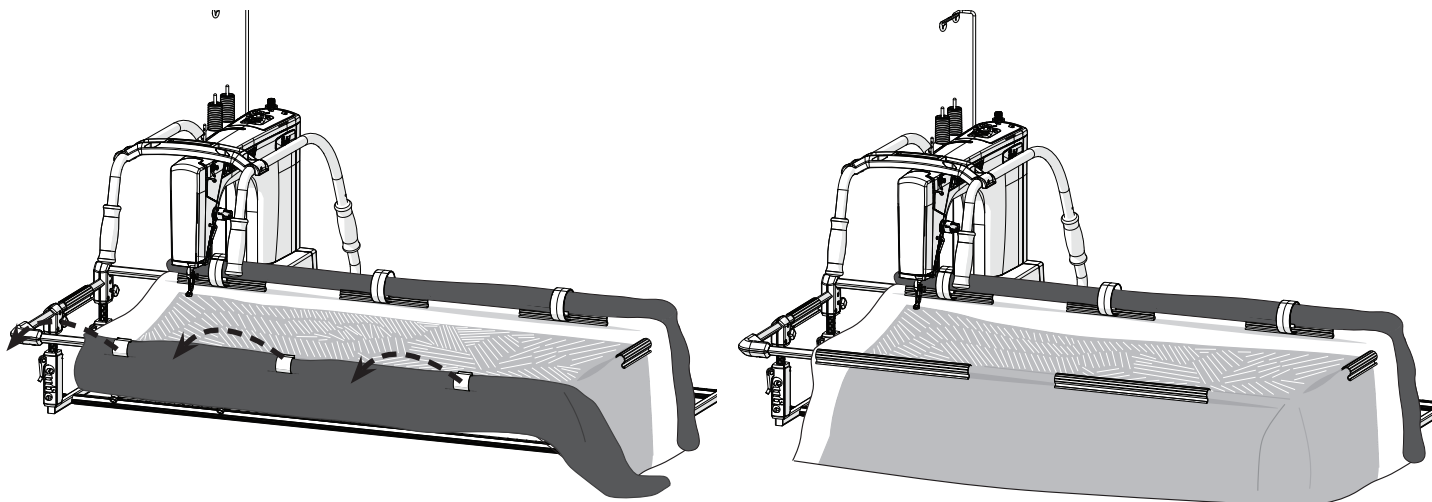
Your quilt might have more or fewer zones depending on the size and shape of the quilt. In general, the best method is to start at the top-left corner of your quilt, stitch each zone across, and then move down to the next row of zones.

Note: To make sure your stitch lines are smooth and seamless, create about 2 inches of overlap between your zones, so that when you move to a different zone, 2 inches of the stitched area from the previous zone are in the safe area of the next zone.



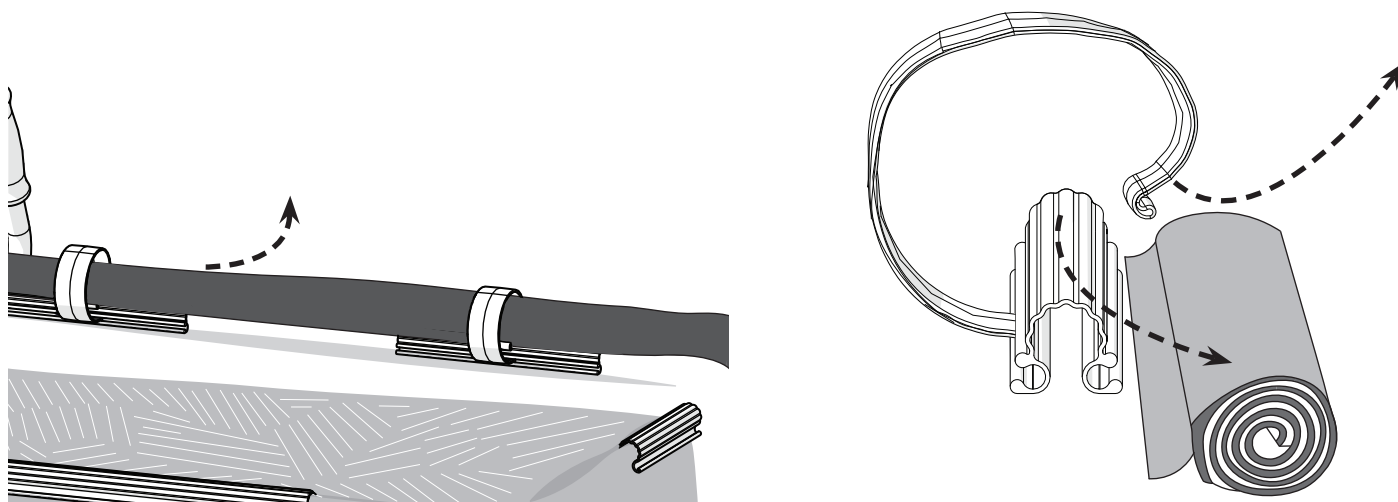
Take the following steps to move your quilt to a different zone:

- 1 If you secured the front edge of the quilt with the mini clips, then remove the clips to let the fabric drape over the front rail completely.

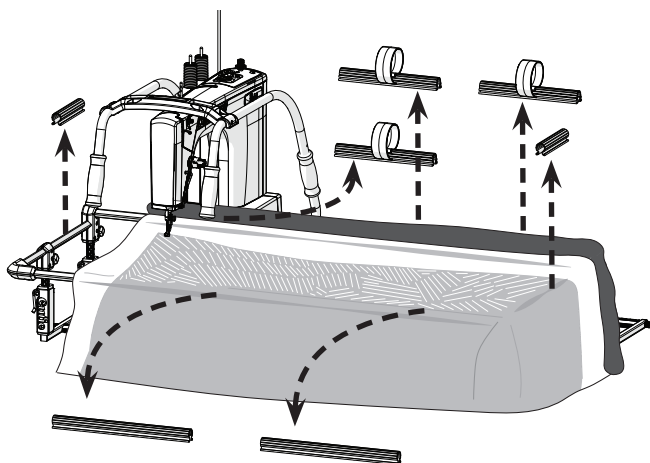


Task 17 - Moving Your Quilt to a Different Zone (continued)

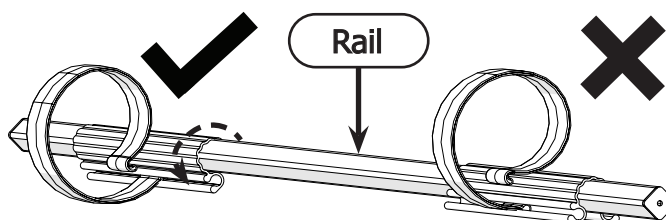
- 2 If you rolled up some of the quilt in your coil clamps, slide it out of the coils.



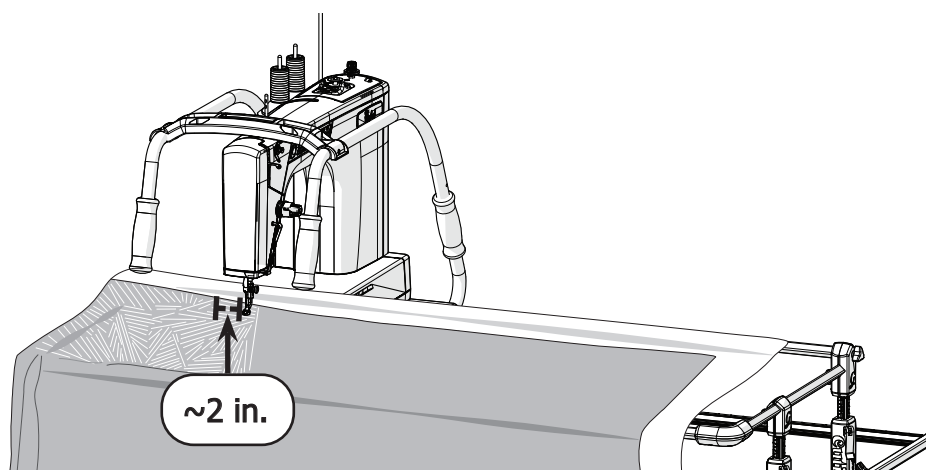
- 3 Remove the fabric clamps from all the rails. Pry the lips of the clamp away from each other and then pull the clamp off the rail.



Tip: When you remove the clamps from the **rail**, orient the clamps so that they are lined up with a flat side of the rail, rather than an angle of the rail, before you pull the clamps off.

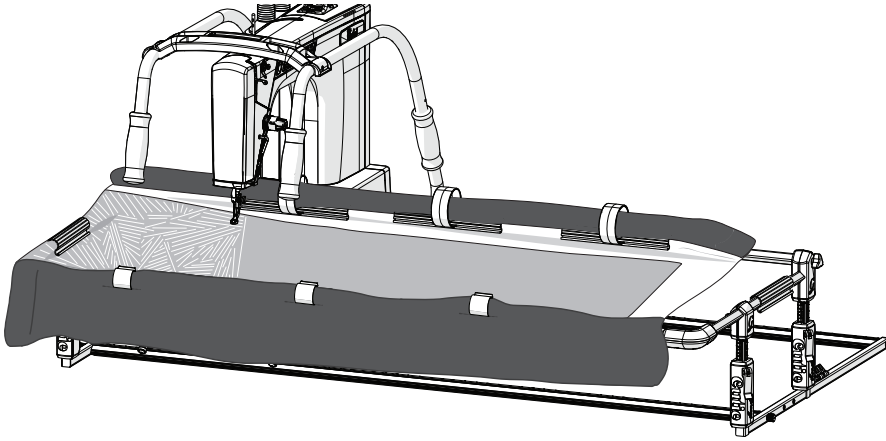


- 4 Reposition your quilt so that the next zone of unstitched space is in the quiltable area. Remember to leave about **2 inches** of overlap between your zones to make sure your stitch lines are smooth and seamless.



Task 17 - Moving Your Quilt to a Different Zone (continued)

- 3 Replace the fabric clamps to secure the quilt in the new position, including rolling up the fabric in the throat of the machine and sliding it into the coil clamps, and securing the front edge with the mini clips.



Note: Remember to tack down your edges immediately after moving to a new zone. See “Task 14 - Tacking Down Your Quilt” on page 47.

Also, mark the safe area for the new zone. See “Task 15 - Marking the Safe Area” on page 48.

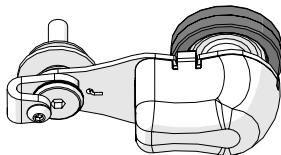
- 4 **Task Result:** Your quilt is moved to a different zone, and you are ready to continue sewing the next zone.

Congratulations! Now that you have zoned your quilt and know how to move your quilt along the zones as you stitch, you have all the skills you need to successfully enjoy your Cutie Breeze frame.

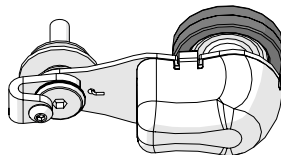
Accessories - Encoder Installation

Parts & Tools Needed

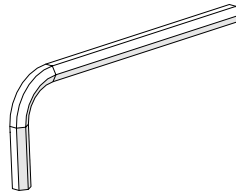
Lower Encoder



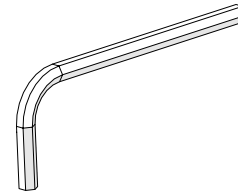
Upper Encoder



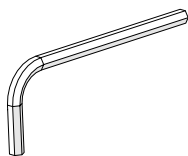
Allen Wrench 5 mm



Allen Wrench 4 mm



Allen Wrench 2.5 mm

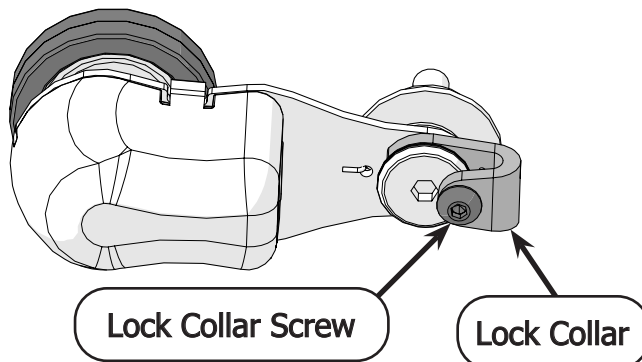


Instructions

These instructions are optional and only apply if you have purchased a wheeled quilting machine or the SureStitch accessory stitch regulator. For more information about the encoders, see your product's instruction manual. Take the following steps to install the encoders on your frame.

Lower Encoder Installation

- 1 Loosen the **lock collar screw** on the lower encoder with the 2.5 mm Allen wrench until the **lock collar** turns freely.



Accessories - Encoder Installation (continued)

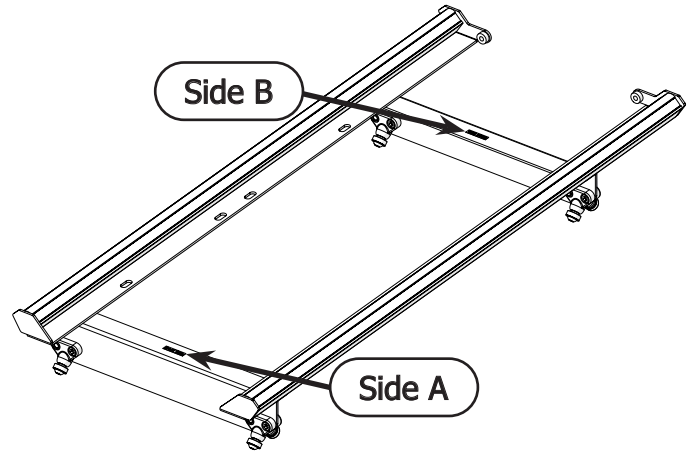
- 2 Orient the bottom carriage the way you're going to use it on the frame.

Use **Side B** in the back if:

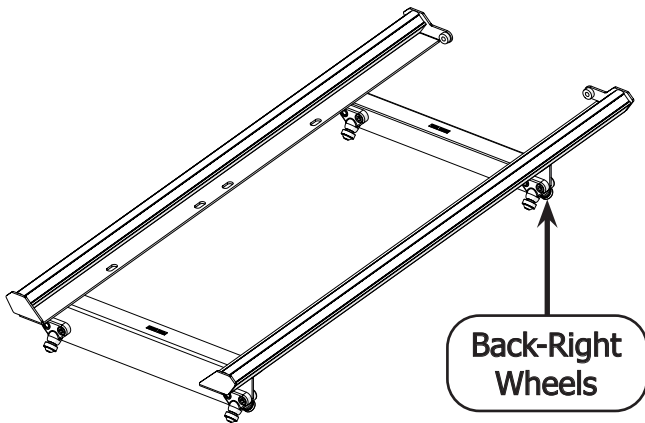
- You are using Quilter's Creative Touch (QCT, formerly QuiltMotion) with any kind of machine.
- You have a wheeled quilting machine.

Use **Side A** in the back if:

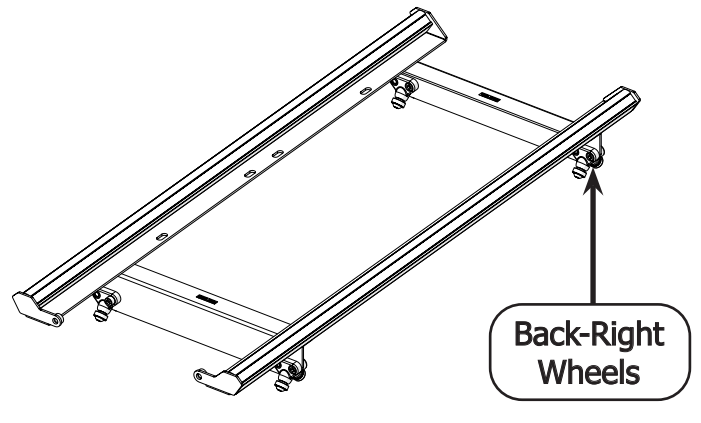
- You have a wheel-less machine to put on the top plate.



- 3 Using the orientation you selected, find the **back-right wheels** of the bottom carriage.

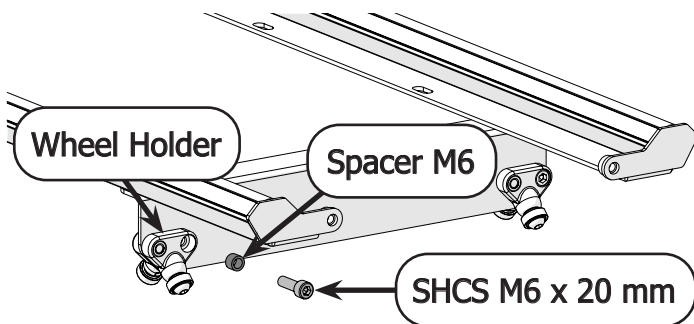


Side B Toward Back

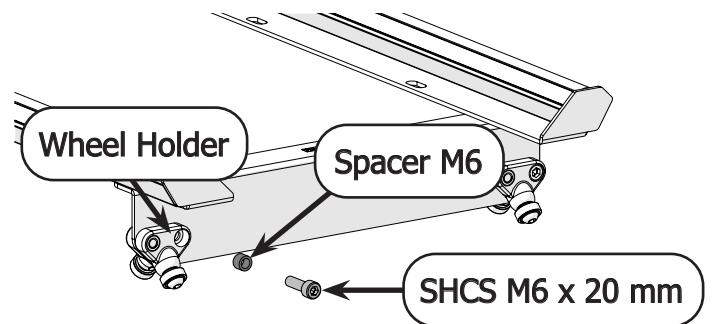


Side A Toward Back

- 4 For either orientation of the bottom carriage, use the 5 mm Allen Wrench to remove the **M6 x 20 mm SHCS** and the **M6 spacer** from the back of the back-right **wheel holder**. The screw is not needed again. The spacer is needed for attaching the encoder to the carriage.



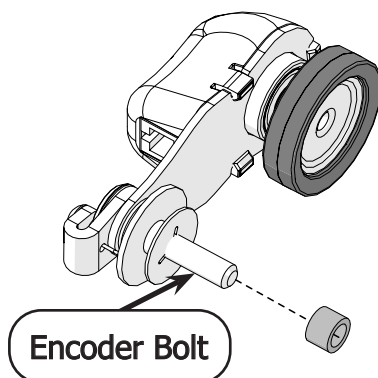
Side B Toward Back



Side A Toward Back

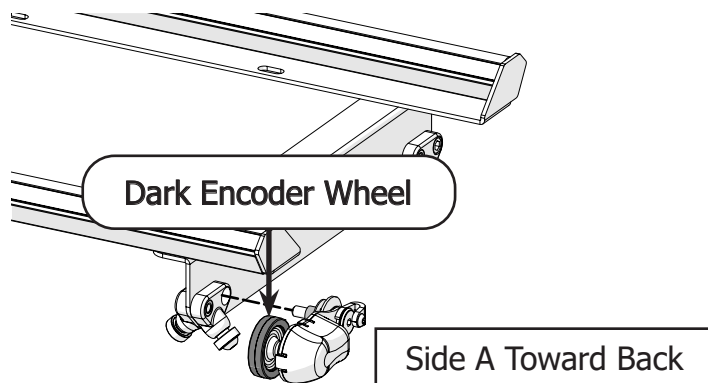
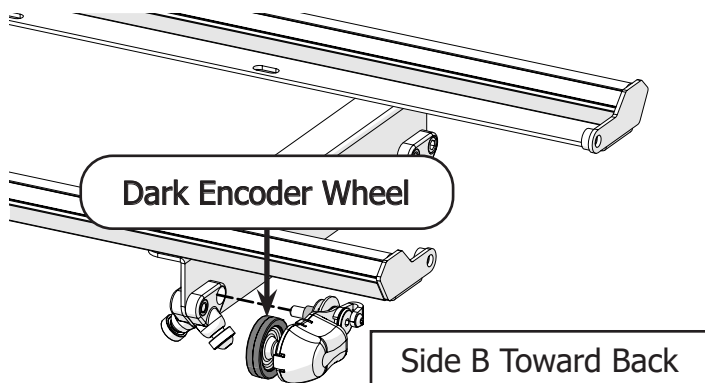
Accessories - Encoder Installation (continued)

- 4 Slide the spacer onto the **encoder bolt**.

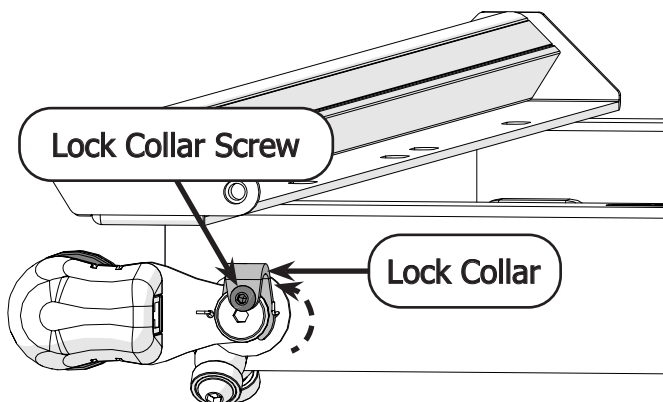


- 5 For either orientation of the bottom carriage, install the lower encoder in the hole in the wheel holder so that the **dark encoder wheel** is pointing away from the carriage. Tighten the encoder bolt with the 4 mm Allen wrench.

Note: The wheel holder might have shifted when you removed the screw. If the encoder bolt doesn't go in, straighten the wheel holder and try again.



- 6 Turn the encoder **lock collar** to point up, and then tighten the **lock collar screw** with the 2.5 mm Allen wrench. You also need to plug the lower encoder into the lower encoder port on your machine or accessory. For details, see those product manuals.

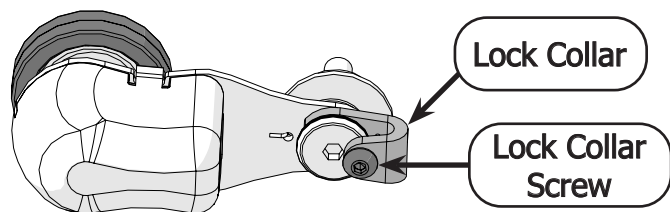


Accessories - Encoder Installation (continued)

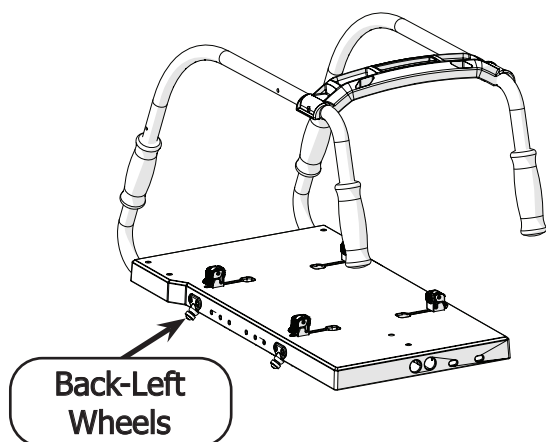
Upper Encoder Installation

If you are using a wheeled quilting machine that your encoders came with, then see your machine manual for instructions on installing the upper encoder. Otherwise, take the following steps to install the upper encoder on the top plate for your frame.

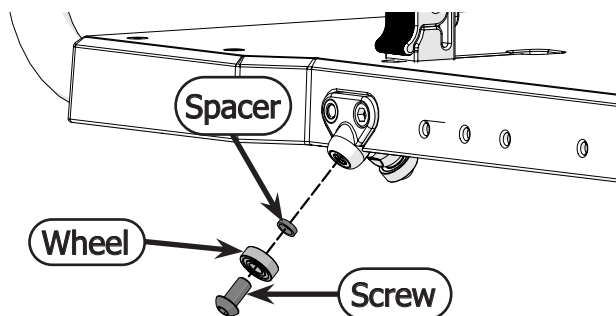
- 1 Loosen the **lock collar screw** on the upper encoder with the 2.5 mm Allen wrench until the **lock collar** turns freely.



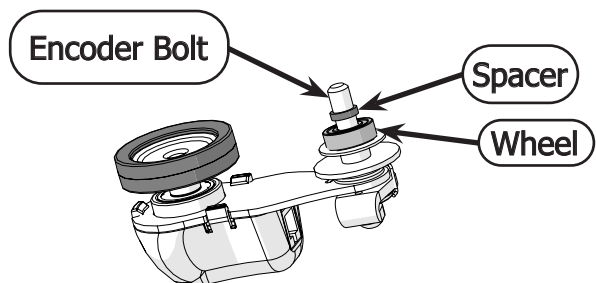
- 2 Locate the **back-left wheels** of the top plate.



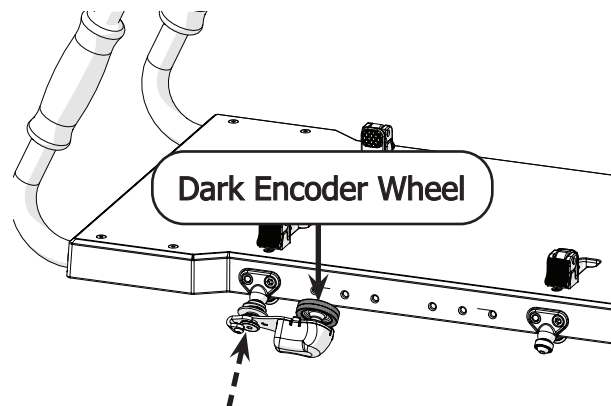
- 3 Use the 2.5 mm Allen wrench to remove the back-left outside **screw** that secures the wheel in place. The **wheel** and the **spacer** come off. Make sure to keep them, as they are used again. The screw is not needed again.



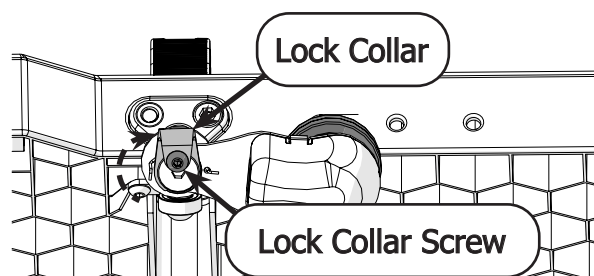
- 4 Slide the **wheel** and then the **spacer** onto the **encoder bolt**.



- 5 Install the upper encoder in the wheel hole so that the **dark encoder wheel** is pointing toward the front-left wheels on the top plate. Tighten the encoder bolt with the 4 mm Allen wrench.



- 6 Turn the encoder **lock collar** to point up, and then tighten the **lock collar screw** with the 2.5 mm Allen wrench. You also need to plug the upper encoder into the upper encoder port on your machine or accessory. For details, see those product manuals.



Notes

Feel free to use this page as a place to take notes or write down anything that will help you make the most of your Cutie Breeze.

Grace
COMPANY

www.graceframe.com

1-801-485-6688