

Majestic Idler Rail

Professional Series Quilting Frame

Assembly Instructions

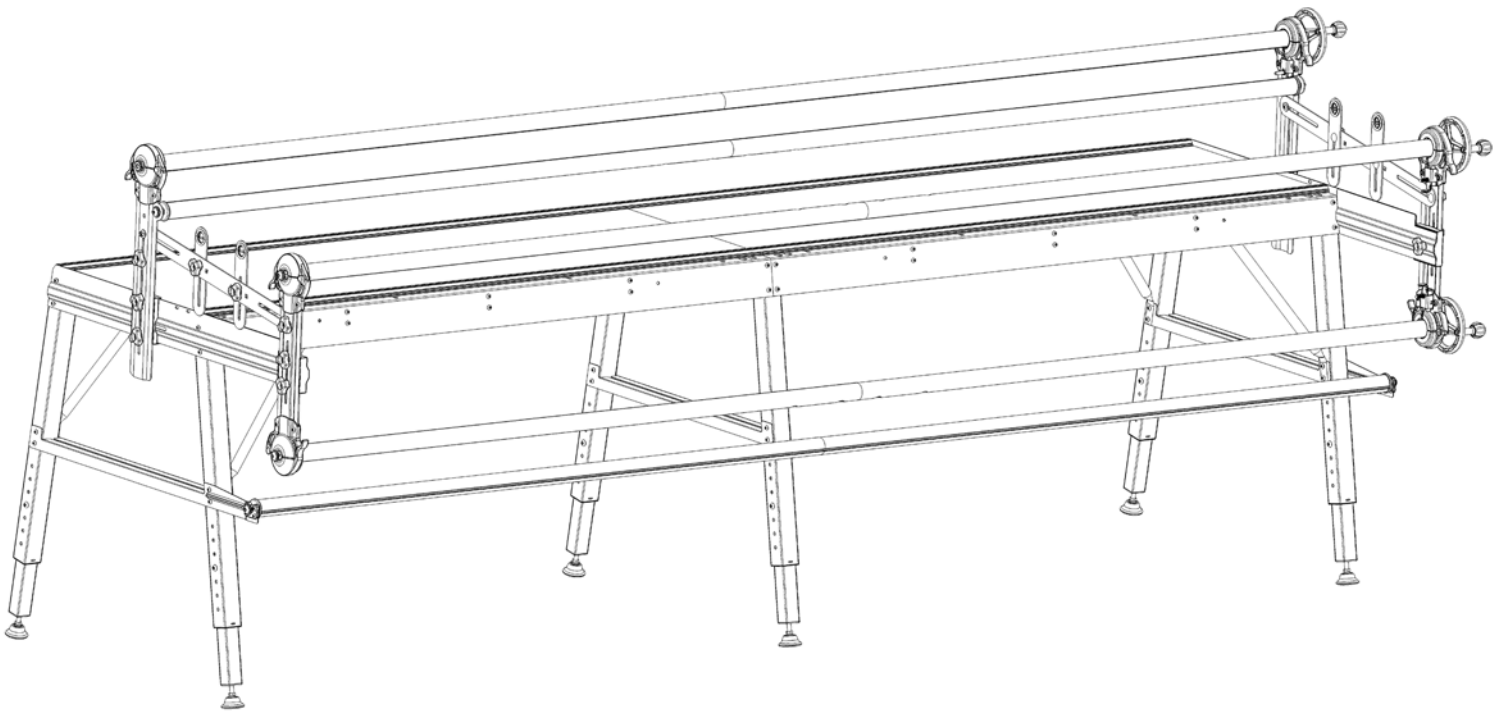
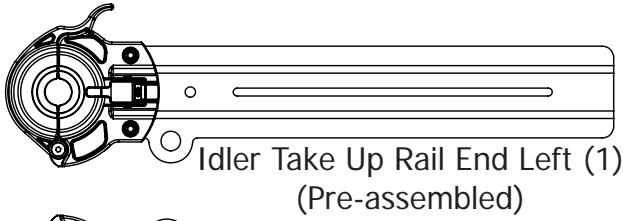


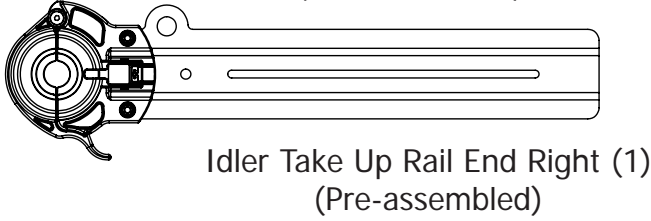
Table of Contents

Parts List	2
Step 1: Disassembly of Frame Parts	3
Step 2: Replacing Frame Parts	3
Step 3: Assembly of Idler Rail	4
Step 4: Installing Idler Rail	4

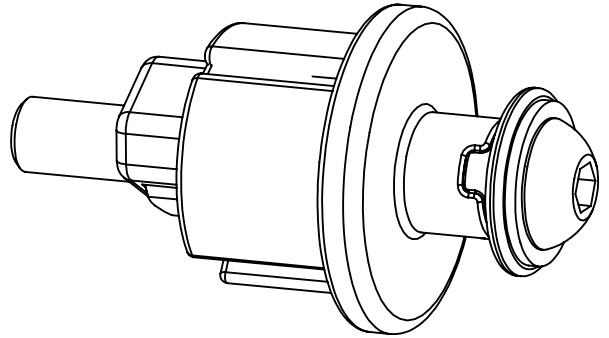
Parts List



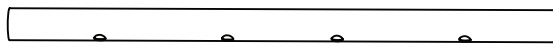
Idler Take Up Rail End Left (1)
(Pre-assembled)



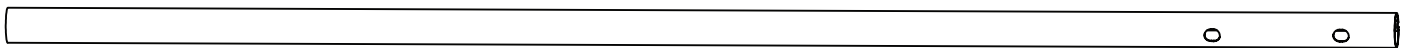
Idler Take Up Rail End Right (1)
(Pre-assembled)



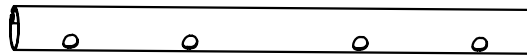
Idler Rail End
Cap(2)
(Pre-assembled)



Rail Coupler (2)

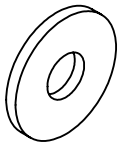


Rail (2)

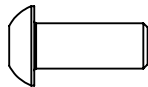


2-Ft (24in) Rail(1)

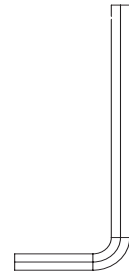
Hardware



M6 Washer (4)



M6 X 25mm
Socket Head
Screw(2)



4mm Allen
Wrench(1)



M6 Nylock Nut (2)



10mm x 13mm Box End
Wrench (1)



6mm Allen
Wrench(1)

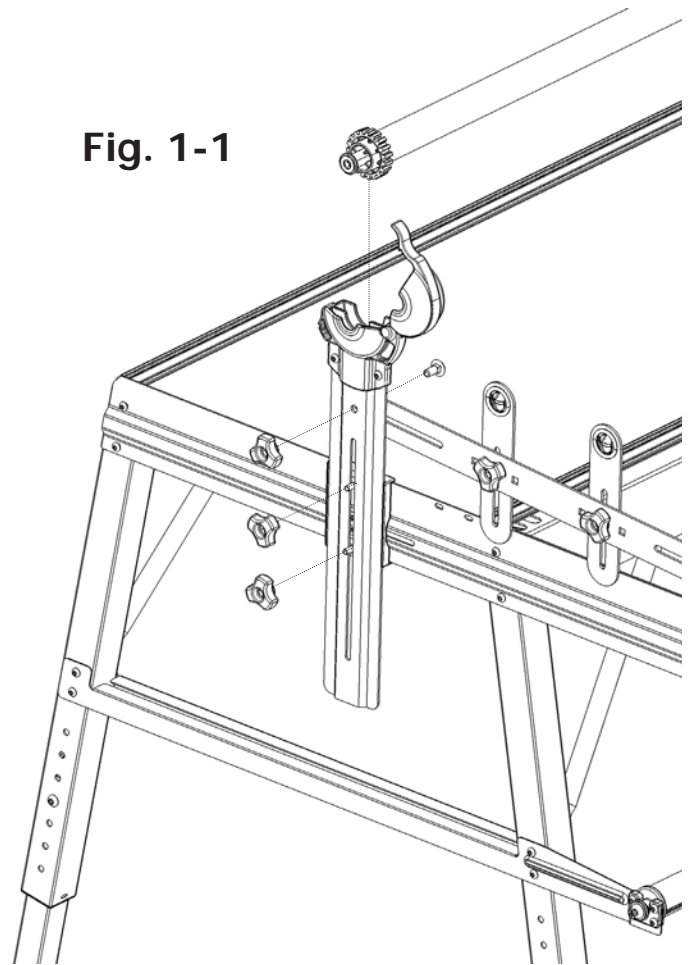
Step 1: Disassembly of Frame Parts

1-1: Open up the top of the Ratchet Housing on each end of the Take Up Rail.

1-2: Remove the Take Up Rail, as shown in Fig. 1-1.

1-3: Remove each Take Up Rail End on your Majestic Quilting Frame, by unscrewing each of the 3-Winged Knobs holding it to the frame as shown in Fig. 1-1.

Fig. 1-1



Step 2: Replacing Frame Parts

Parts Needed:

- (1) Idler Take Up Rail End Left
- (1) Idler Take Up Rail End Right
- (2) M6 X 25mm Socket Head Screw
- (1) 4mm Allen Wrench
- (2) M6 Nylock Nut
- (1) 10mm x 13mm Box End Wrench
- (4) M6 Washer

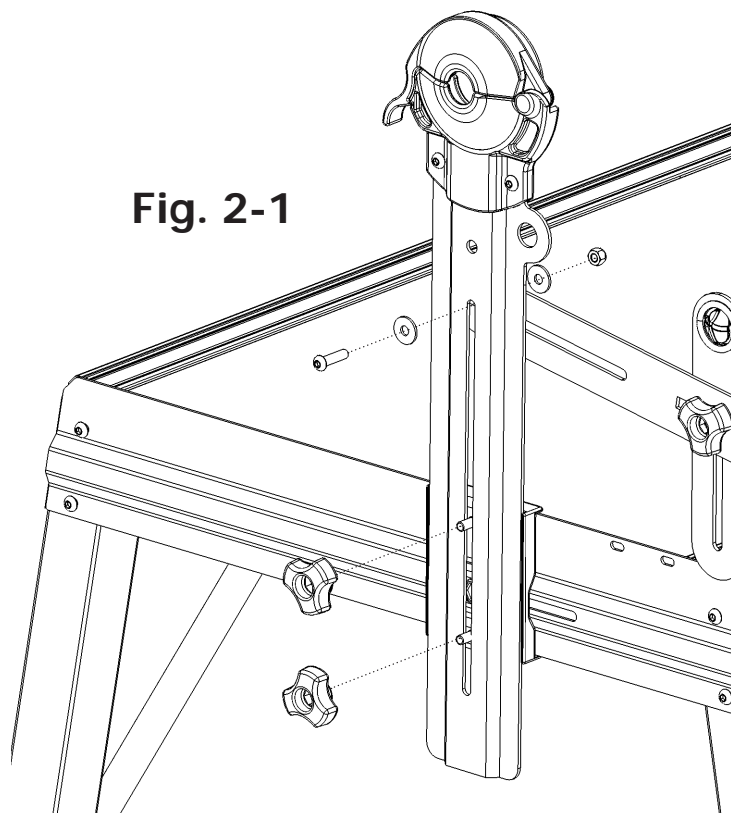
2-1: Place the Idler Take Up Rail End Left (1) on the left side of your Majestic Quilting frame, and replace the bottom two knobs into the vertical slot, as shown in Fig. 2-1. Discard the third knob and its accompanying carriage bolt.

Note: Be sure the Idler Rail hole is on the front side of the frame, as shown in Fig. 2-1.

2-2: Place (1) M6 Washer onto the M6 x 25mm Socket Head Screw, and then insert the screw into the vertical slot on the Idler Take Up Rail End Left above the 2 knobs and through the slot on the free end of the Bungee Hold Plate. Place (1) M6 Washer on the end of the screw. Tighten the M6 Nylock Nut on the end of the screw using the 4mm Allen Wrench and the 10mm x 13mm Box End Wrench, as shown in Fig. 2-1.

2-3: Repeat steps 2-1 and 2-2 using the Idler Take Up Rail End Right on the Right side of your Majestic Quilting Frame.

Fig. 2-1



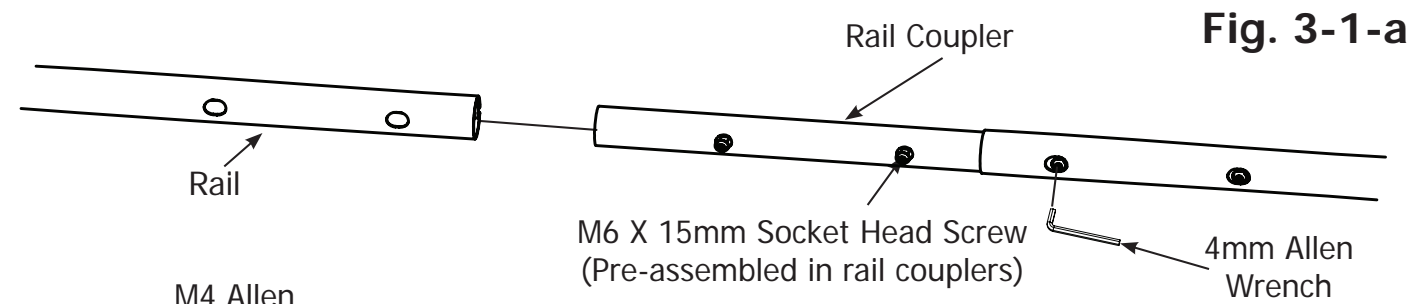


Fig. 3-1-a

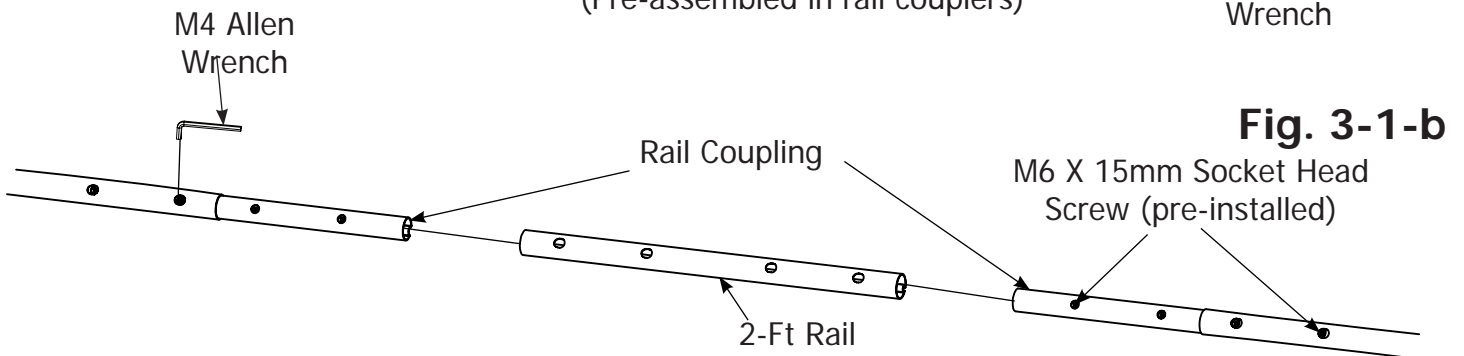


Fig. 3-1-b

Step 3: Assembly of Idler Rail

Parts Needed:

- (2) Rail
- (1) Rail Coupler
- (2) Idler Rail End Cap
- (1) 6mm Allen Wrench
- (1) 4mm Allen Wrench

12-Ft Parts Needed:

- (1) Rail Coupler
- (1) 2-Ft Rail

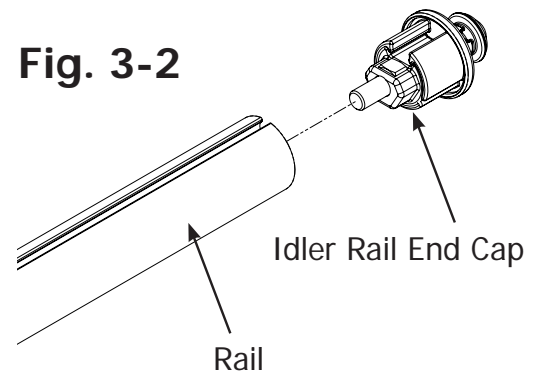


Fig. 3-2

3-1: Slide a Rail Coupler into (2) Rails. Align the slots on each rail with the slots in the Rail Coupler as shown in Fig. 3-1-a.

If assembling a 12ft frame, assemble as shown in Fig. 3-1-b. Tighten the (4) pre-installed M6 X 15mm Socket Head Screws, located on the Rail Coupling using the 4mm Allen Wrench.

3-2: Insert the Idler Rail End Cap into each of the ends of the Rail and tighten the screw on the end with the 6mm Allen Wrench, as shown in Fig. 3-2. This will cause the Idler Rail End Cap to stay securely in the end of the Rail.

Step 4: Installing Idler Rail

4-1: Use the 6mm Allen Wrench to loosen and remove the screw, washer, and Ratchet End Cap from each end of the Idler Rail.

4-2: Have another person help you hold the Idler Rail while placing each end into the Idler Rail hole on each Idler Take Up Rail End. Re-assemble the screw, washer and Ratchet End Cap using the 6mm Allen Wrench, as shown in Fig. 4-1.

4-3: Place the Take Up Rail back onto the Frame, as shown in Fig. 4-1.

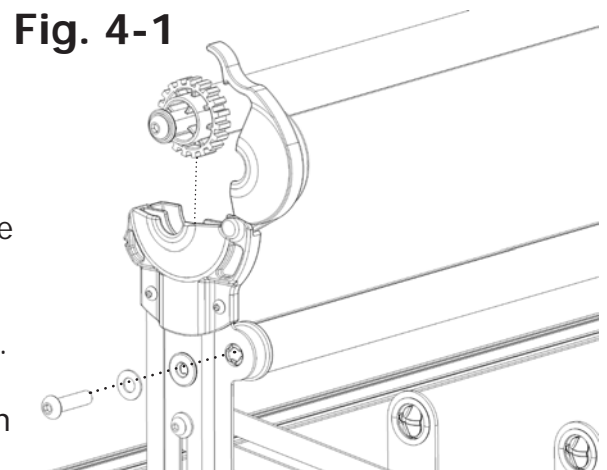


Fig. 4-1

Congratulations! Your Majestic Quilting Frame Idler Rail Installation is complete.