

Q'nique 2 ft Frame Extension

Instructions

Quilt Frame Assembly Instructions

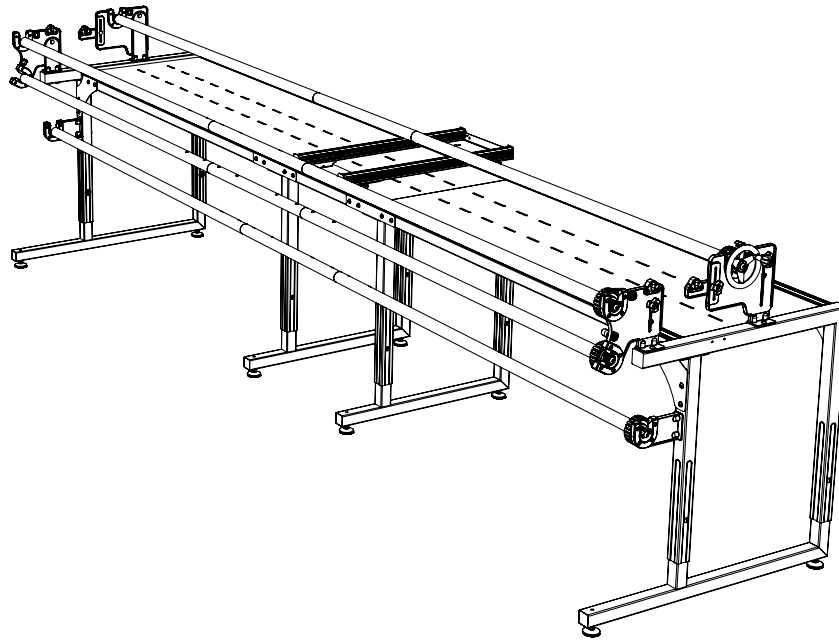


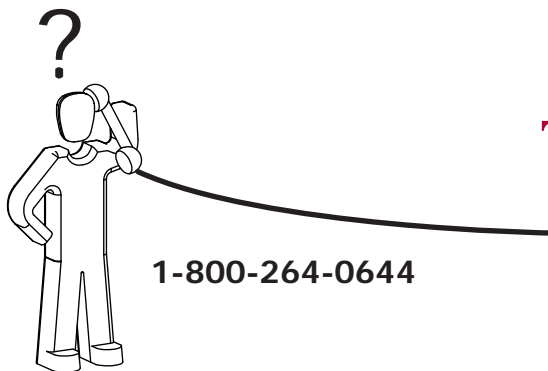
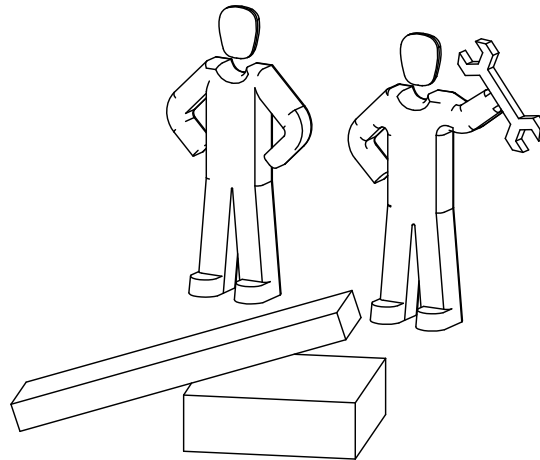
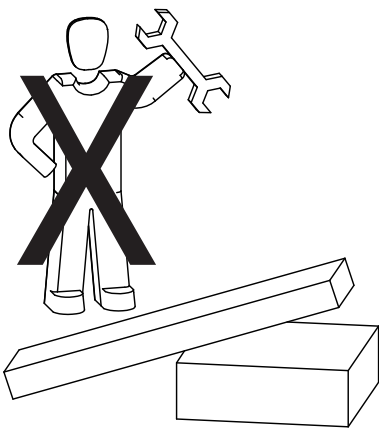
Table of Contents

Warranty	2
Tools Needed	3
Hardware Components	3
Box Components	4
Leveling Foot Attachment to Frame Legs.....	5
Leg Height Adjustment	5
Leg Height Adjustment Chart	5
Table Assembly Extension	6
Table Braces	7
12 ft Track Assembly	8
12 ft Track Assembly Attachment.....	9
Geared 12 ft Rail Assembly	10
Geared 12 ft Rail Assembly with Handwheel.....	11
12 ft Rail Assembly Attachment	12
Completed 12 ft Frame Example View with 4th Rail Accessory	12
Leveling Foot Adjustment.....	13
Appendix A	14

Warranty

Warranty Information for your Q'nique Quilting Frame

The Q'nique Quilting Frame has a One-Year limited warranty on all parts. The Grace Company will repair or replace, at its discretion, any part with problems due to our manufacturing, or defects in materials. This warranty does not cover parts damaged through misuse, improper storage, improper assembly, loss, natural events, and willful destruction. Parts must be returned to the Grace Company, shipping prepaid, before we can repair or replace them. We will promptly return the repaired/replaced part at our expense if done within a year of the purchase date.

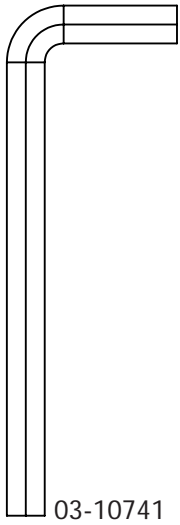


1-800-264-0644

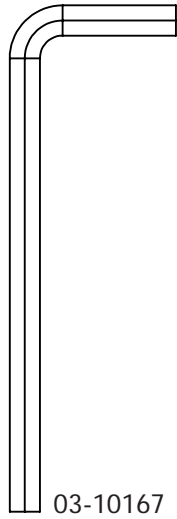
The Grace
Company
Fine Quilting Frames

See Appendix for Part and Assembly Number References.

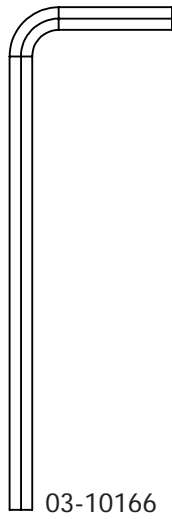
Tools Needed



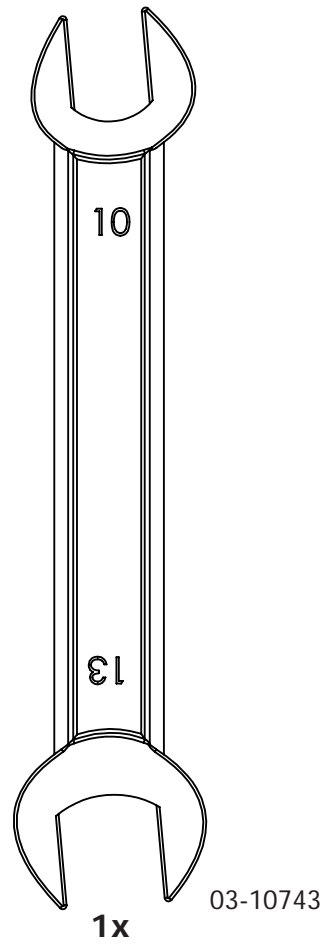
1x



1x

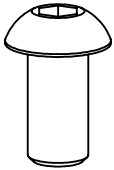


1x



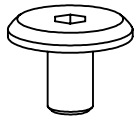
1x

Hardware Components



03-10951

18x



03-10953

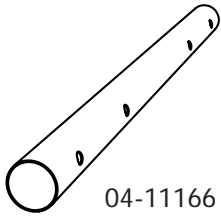
4x



03-10973

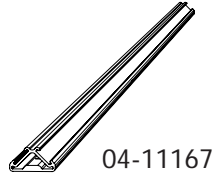
8x

Box Components



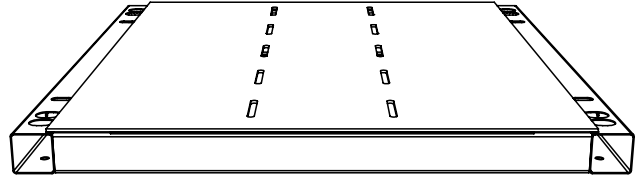
04-11166

4x



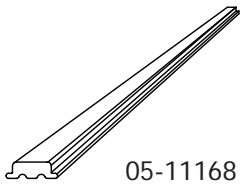
04-11167

2x



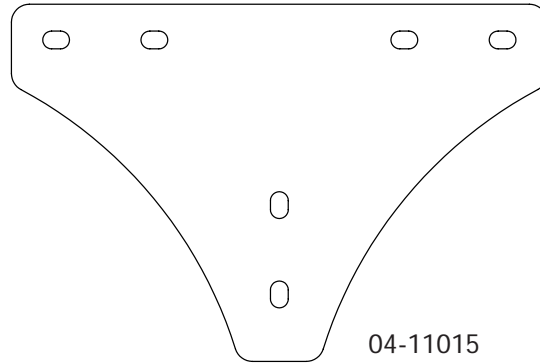
1x

01-A100188



05-11168

4x



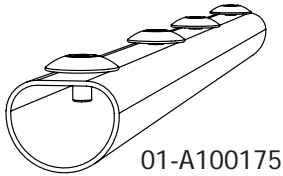
04-11015

1x



04-11016

1x



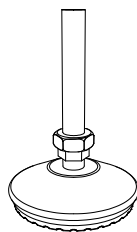
01-A100175

4x



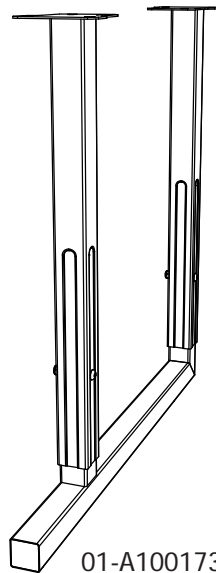
04-11041

2x



03-10527

2x



01-A100173

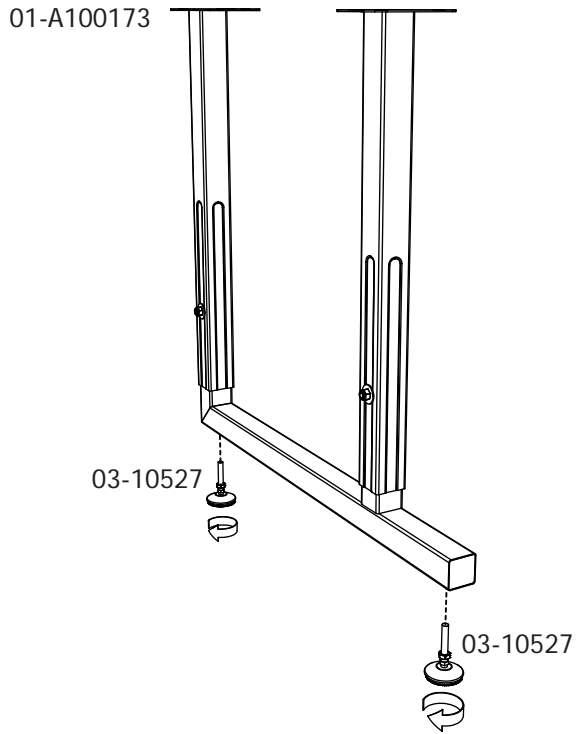
1x

The Following 2 ft Extension Instruction is an addition to the main assembly instruction.

Leveling Foot Attachment to Frame Legs

1

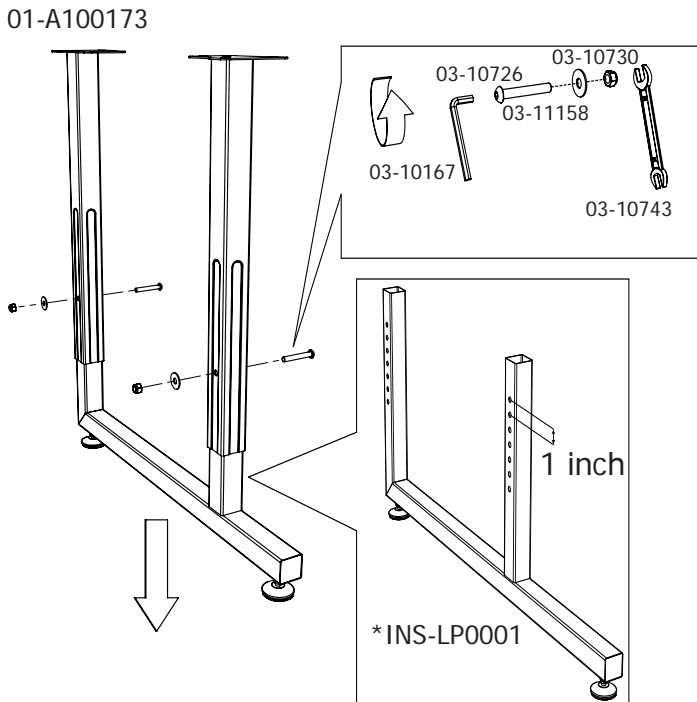
Note: Adjust the Middle Leg height to the current frame set up.



Leg Height Adjustment

2 Middle

A



B

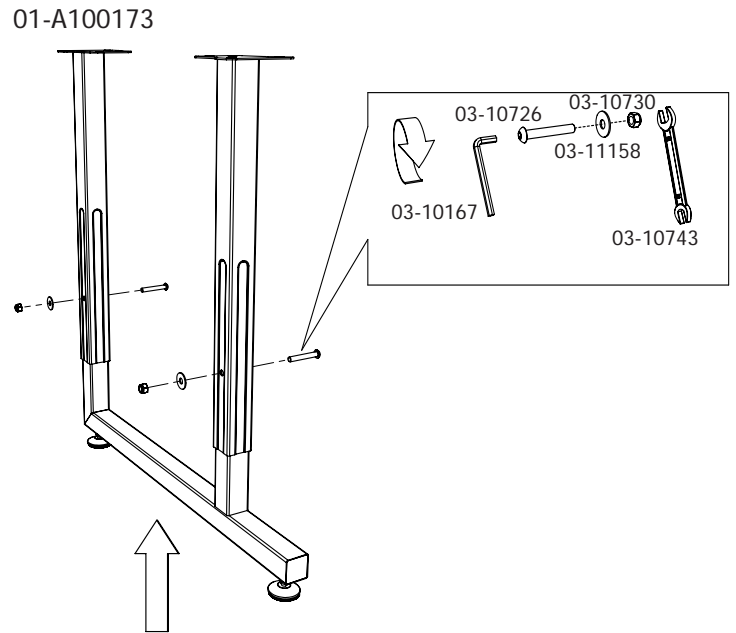
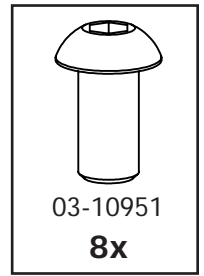
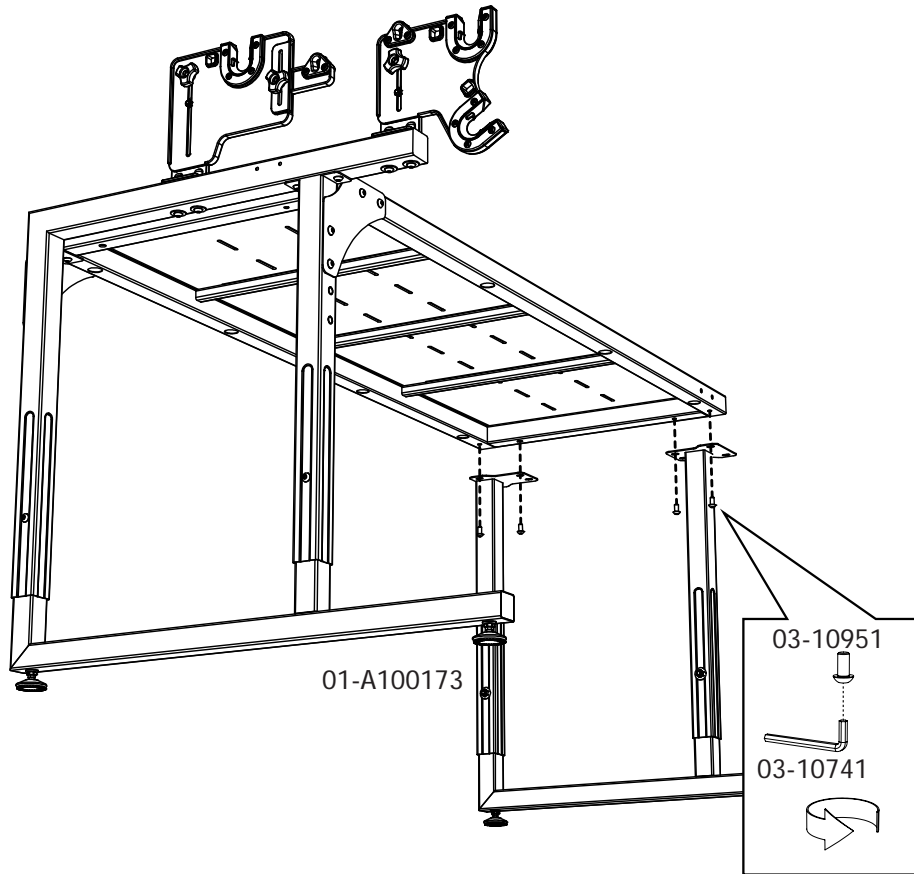


Table Assembly Extension

2 Note: There are parts needed from the main assembly.

A



B Note: Align the front edges of the tables so they are flush.

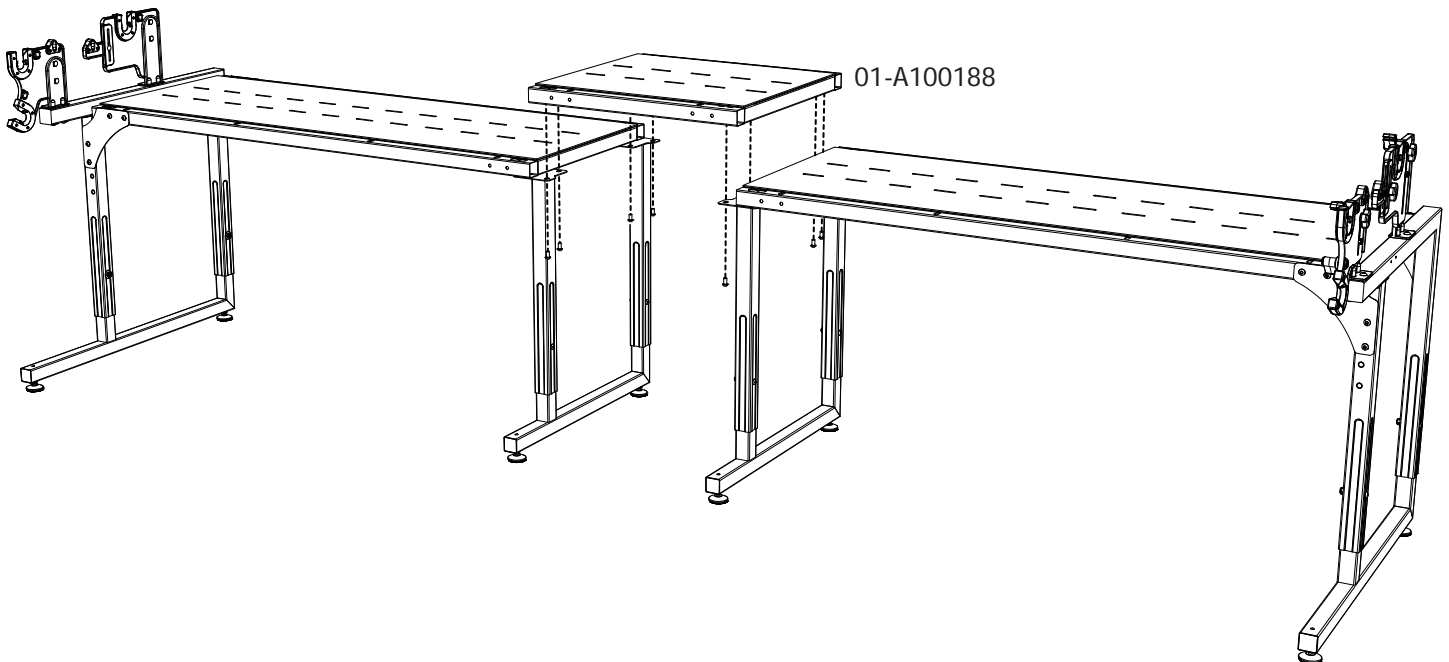
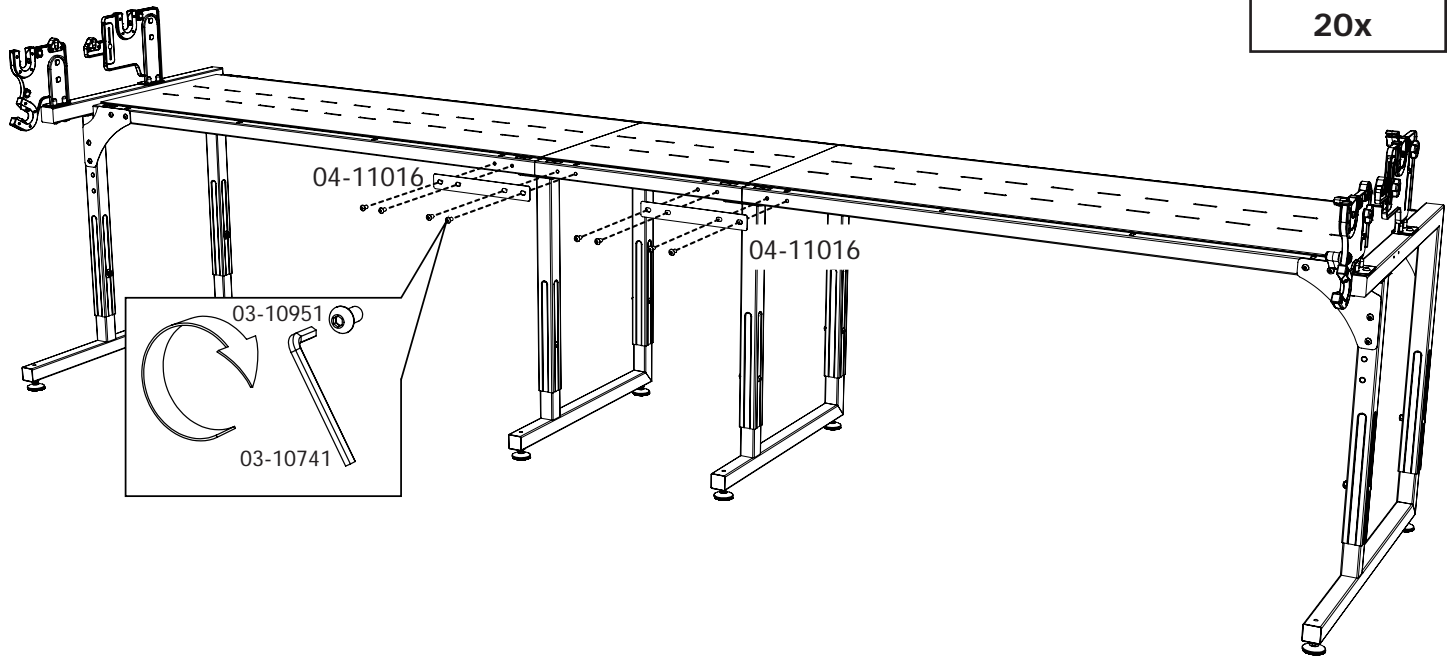


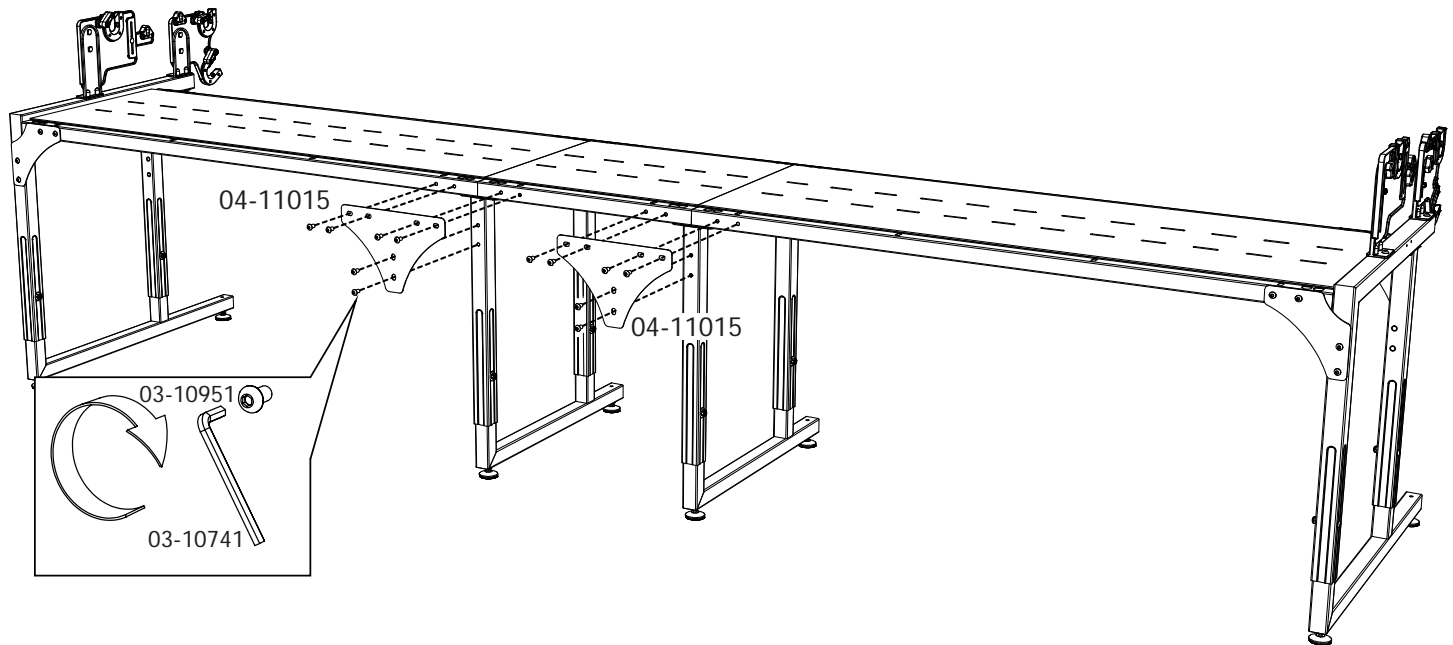
Table Braces

3 Note: There are parts needed from the main assembly.

A



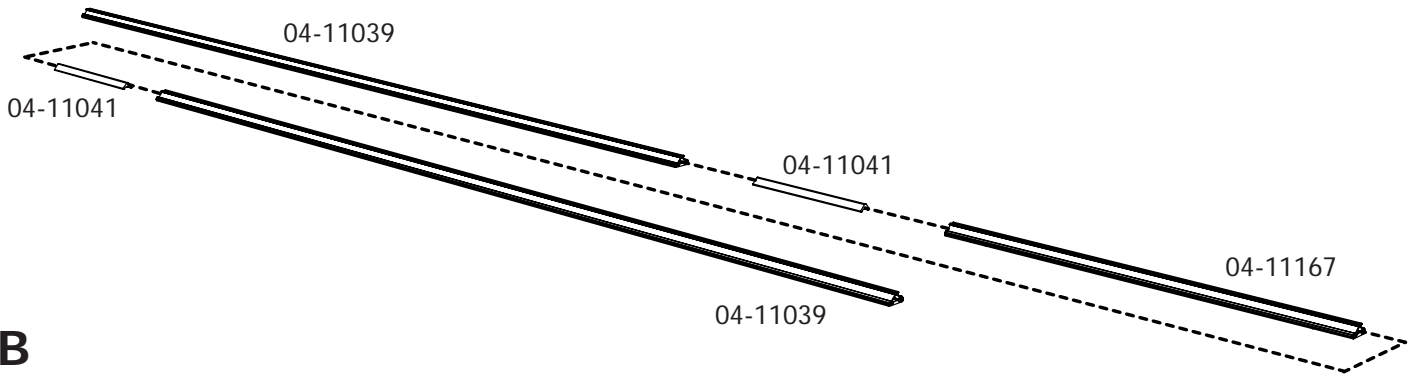
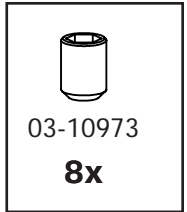
B



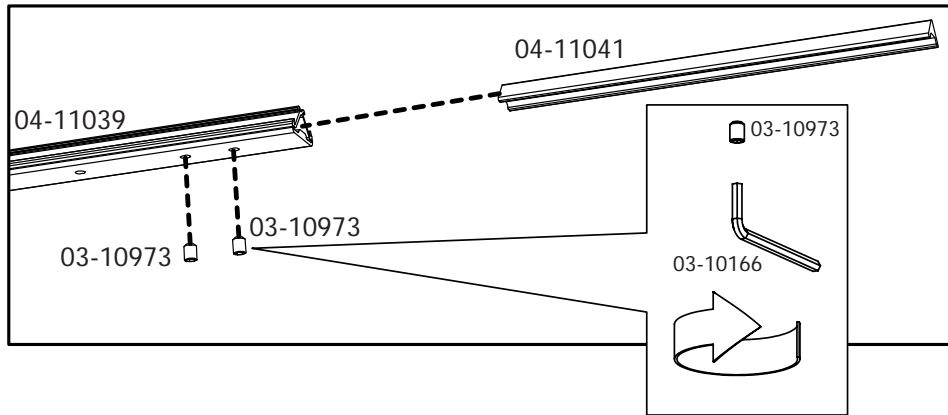
12 ft Track Assembly

4 Note: There are parts needed from the main assembly.

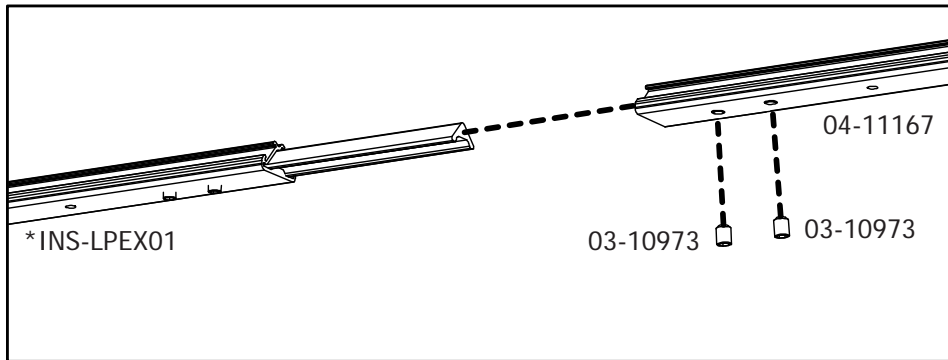
A 2x



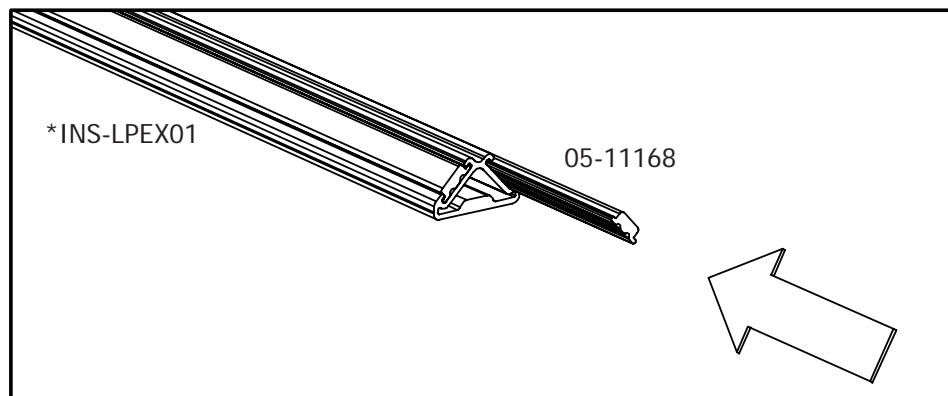
B



C

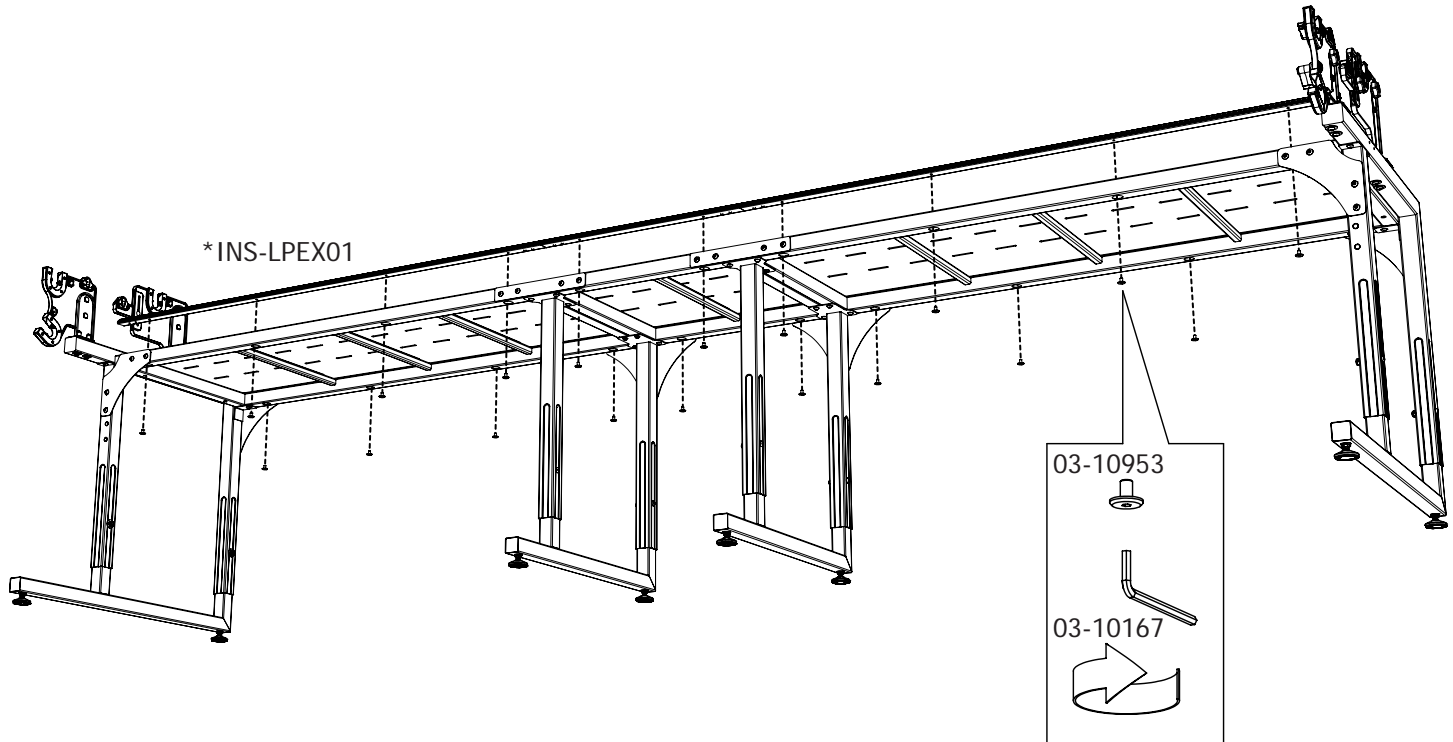
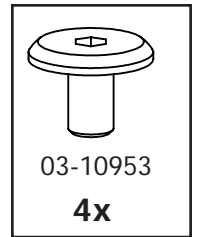


D



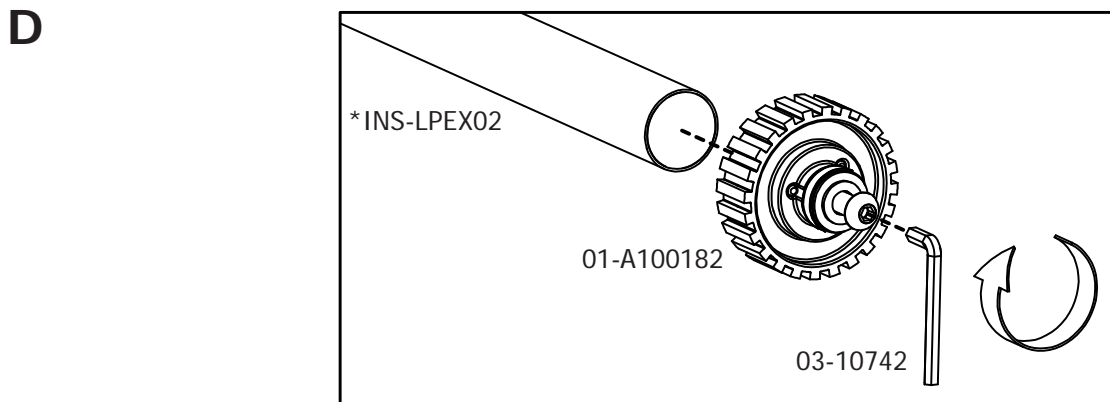
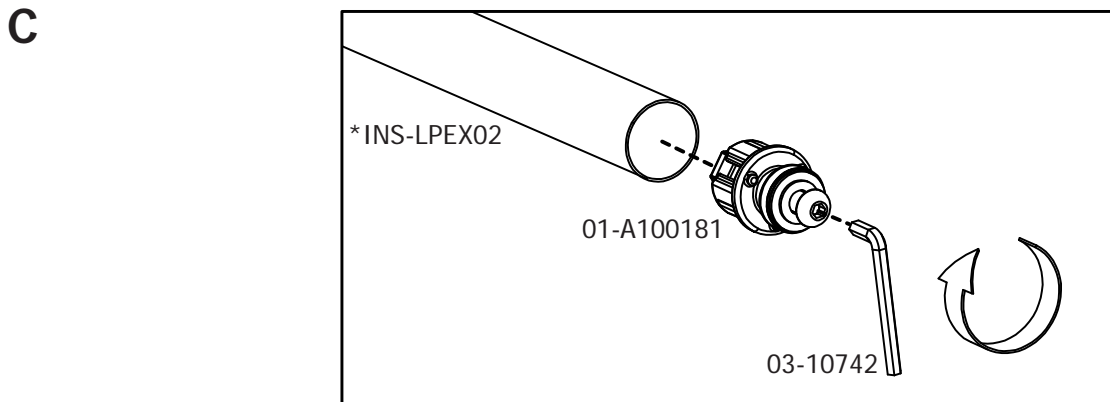
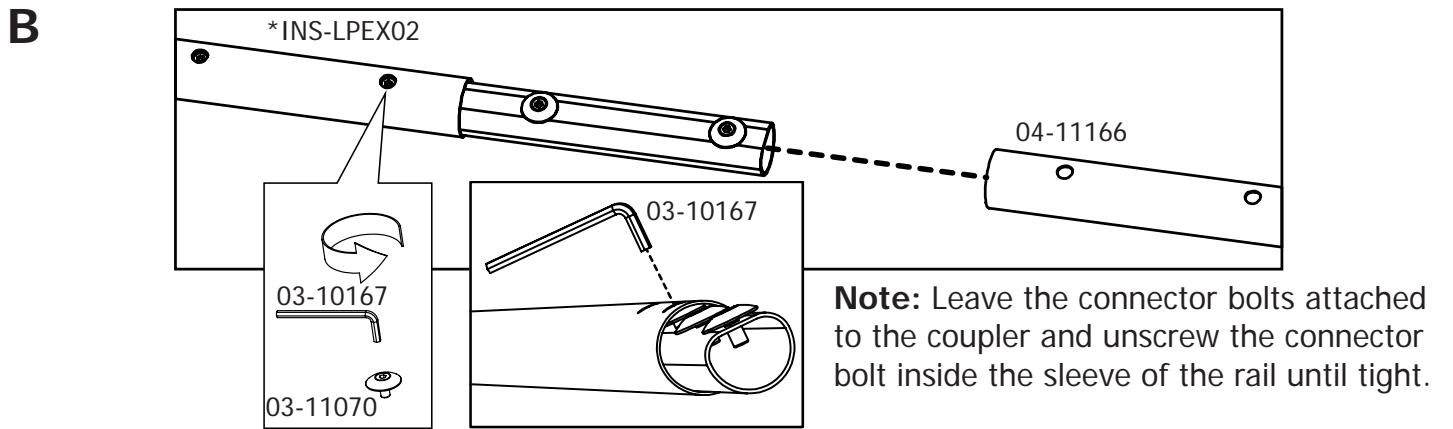
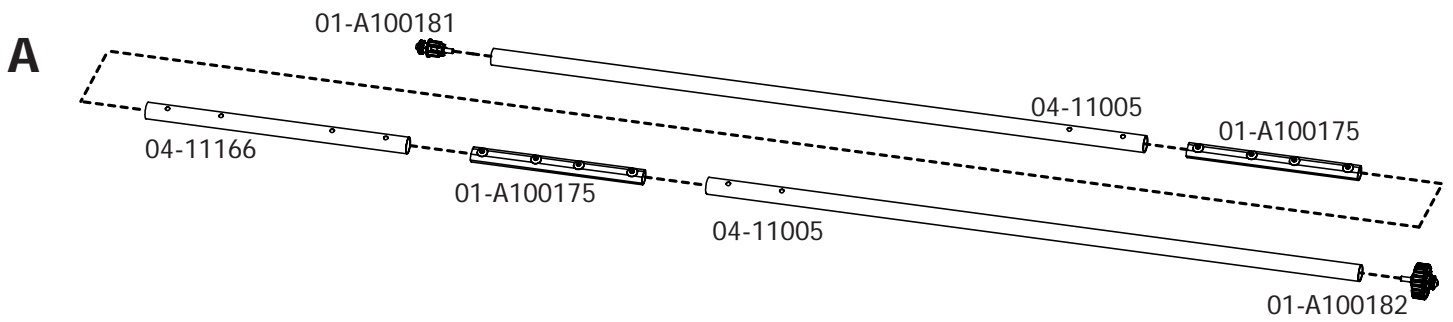
12 ft Track Assembly Attachment

- 5** **Note:** Align the track flush to the edge of the table. There are parts needed from the main assembly.



Geared 12 ft Rail Assembly

6 2x

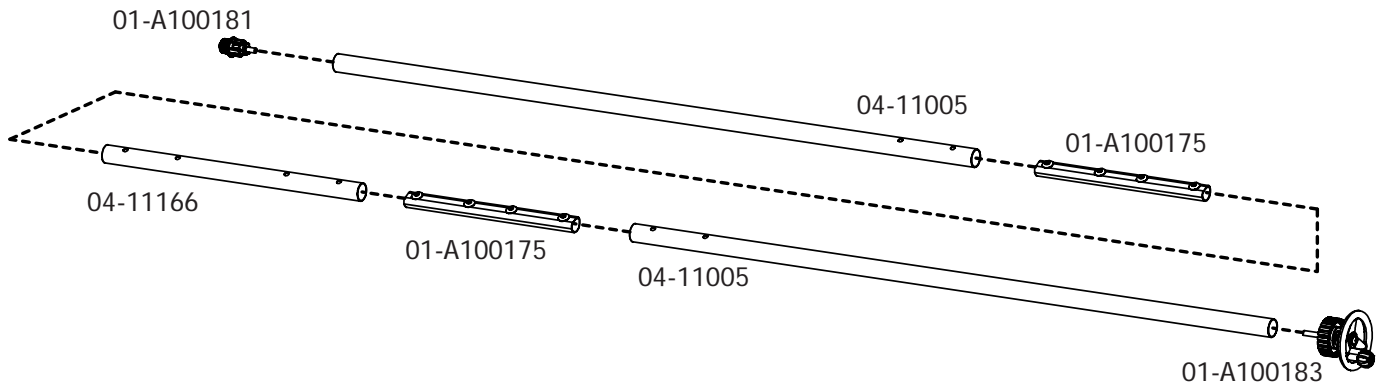


Note: If you have the 4th Rail Accessory, then assemble one more Geared 12 ft Rail Assembly.

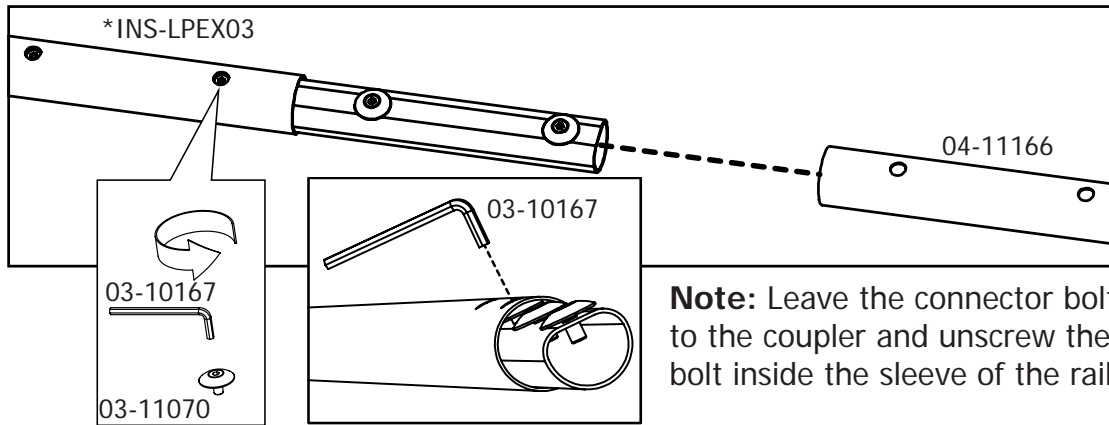
Geared 12 ft Rail Assembly with Handwheel

7

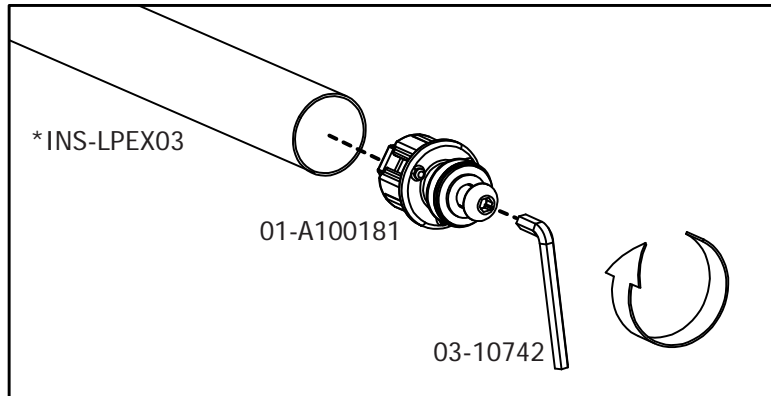
A



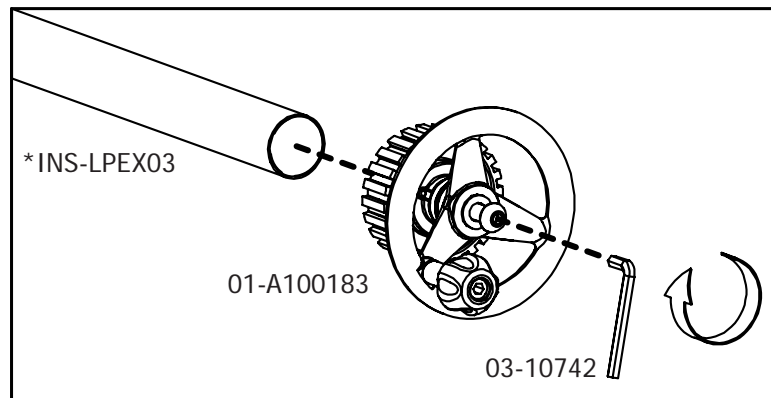
B



C

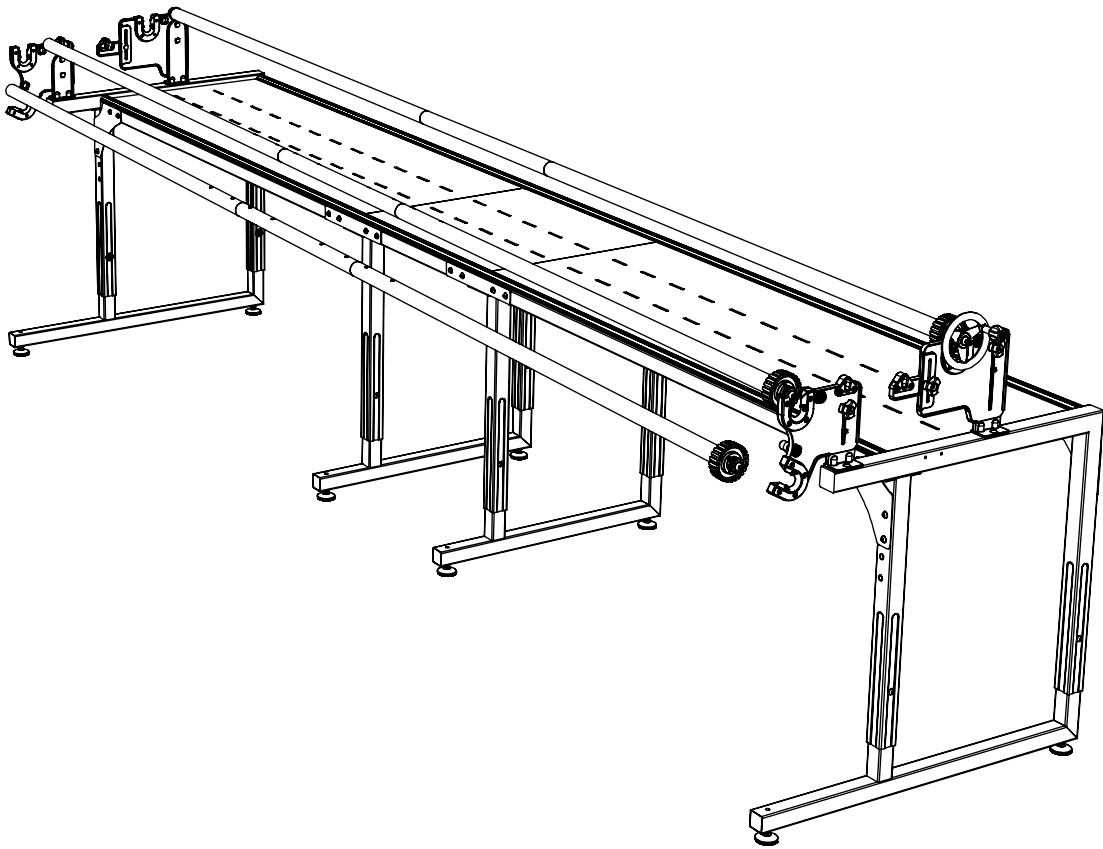


D



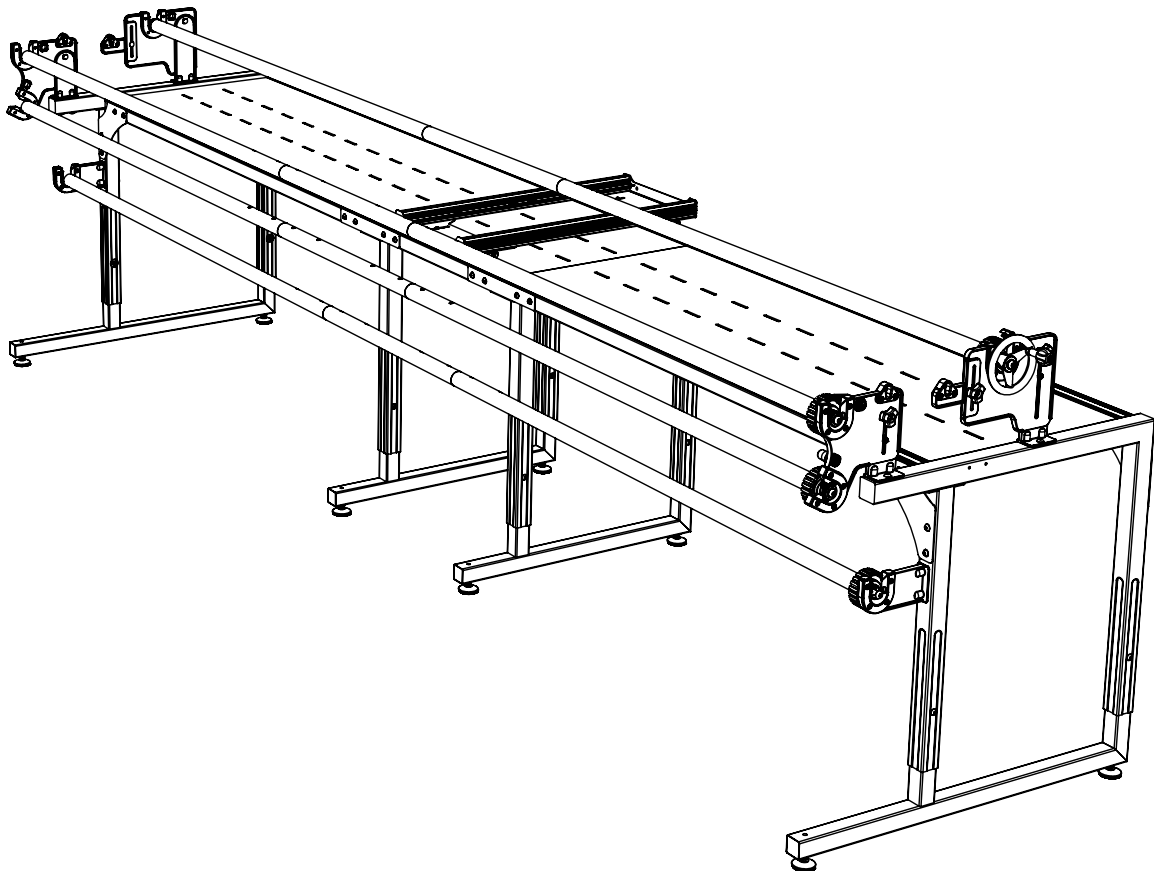
12 ft Rail Assembly Attachment

8



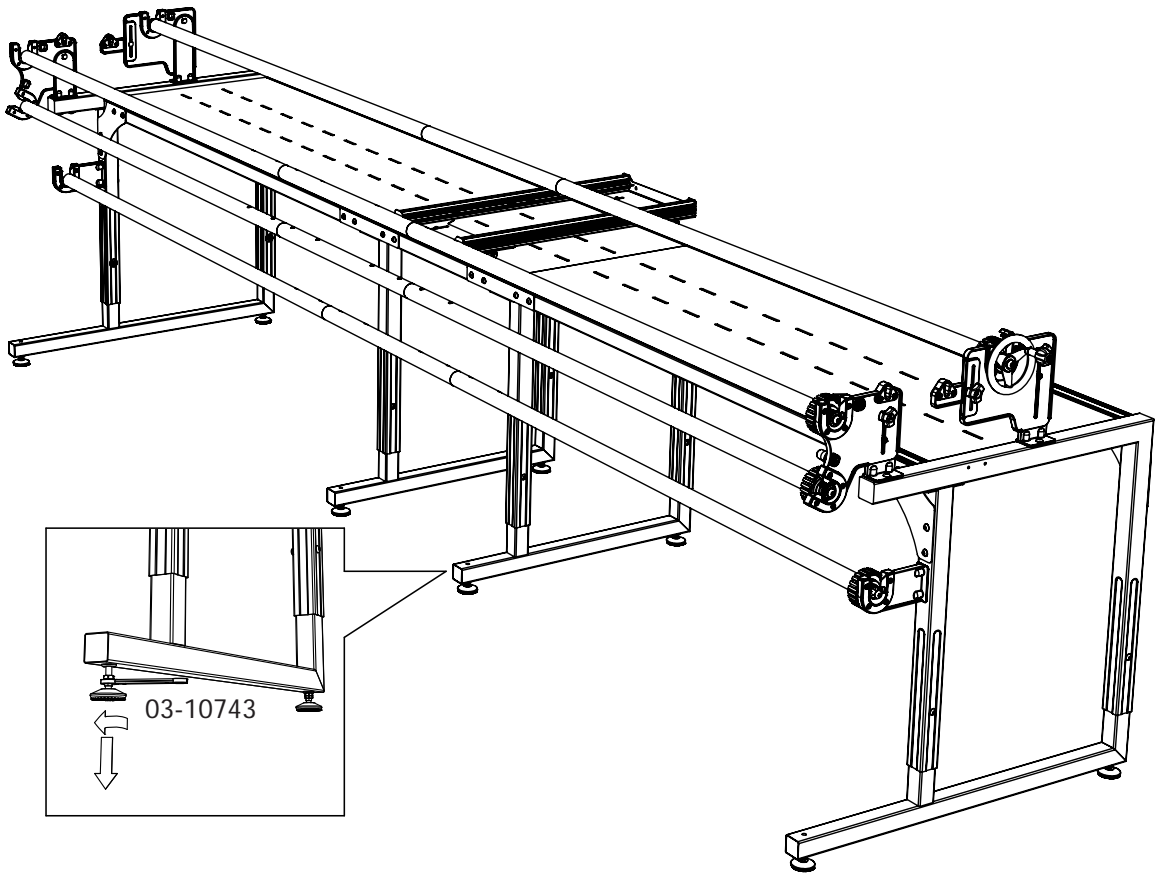
Completed 12 ft Frame Example View with 4th Rail Accessory

9



Leveling Foot Adjustment

10



Appendix A

Part Number	Description	Part Number	Description
03-10742	6mm Allen Wrench	03-10527	Leveling Foot
03-10741	5mm Allen Wrench	03-10726	M8 x 55mm SBHCS
03-10167	4mm Allen Wrench	03-11158	M8 Washer 25mm OD x 9mm ID x 1mm
03-10166	3mm Allen Wrench	03-10730	M8 Nyloc Nut
03-10743	Box End Wrench 10-13	03-11070	M6 Rail Coupler Bolt
03-10951	M8 x 16mm SBHCS	04-11166	Rail 38mm 2 ft
03-10953	M6 x 10mm Connector Bolt	04-11167	2 ft Track Support
03-10973	M6 x 10mm Set Screw	05-11168	Plastic Track 12 ft
04-11005	38mm Rail		
04-11039	Track Support		
04-11015	Middle Rear Table Brace		
04-11016	Middle Front Table Brace		
04-11041	Track Coupler		

Assembly Number	Description		
01-A100173	Middle Leg		
01-A100175	Rail Coupler Assembly		
01-A100176	Bottom Carriage Assembly		
01-A100181	Rail End Non-Ratcheting		
01-A100182	Rail End Ratcheting		
01-A100183	Rail End Handwheel		
01-A100188	2 ft Table Assembly		
*INS-LP0001	Inner Leg Assembly		
*INS-LPEX01	12 ft Track Assembly		
*INS-LPEX02	12 ft Geared Rail Assembly		
*INS-LPEX03	12 ft Geared Rail Assembly with Handwheel		

* Are for instruction purposes only.