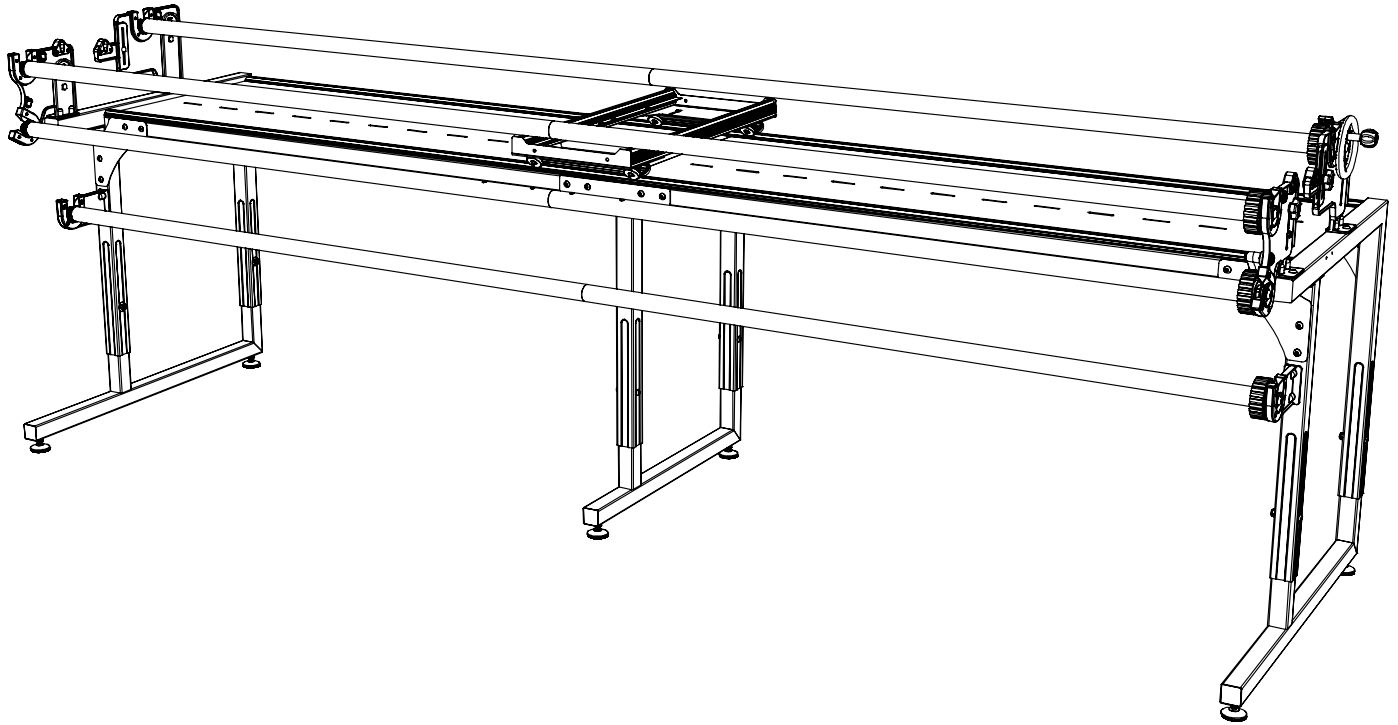


# Q'nique 4th Rail Accessory Instructions

## Quilt Frame Assembly Instructions



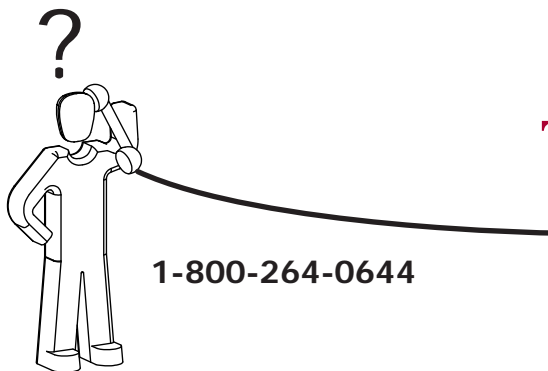
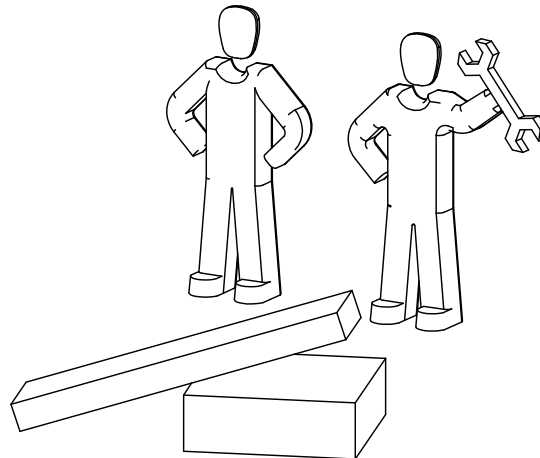
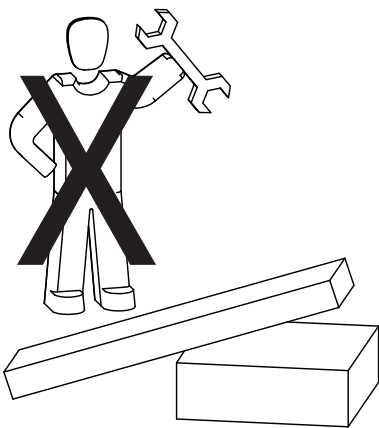
### Table of Contents

Warranty .....	2
Tools Needed .....	3
Box Components .....	3
Hardware Components .....	3
4th Rail Holder Assembly Attachment .....	4
Geared Rail Assembly .....	5
Rail Attachment.....	6
Fabric Attachment .....	6
Appendix A .....	7

## Warranty

### Warranty Information for your Q'nique Quilting Frame

The Q'nique Quilting Frame has a One-Year limited warranty on all parts. The Grace Company will repair or replace, at its discretion, any part with problems due to our manufacturing, or defects in materials. This warranty does not cover parts damaged through misuse, improper storage, improper assembly, loss, natural events, and willful destruction. Parts must be returned to the Grace Company, shipping prepaid, before we can repair or replace them. We will promptly return the repaired/replaced part at our expense if done within a year of the purchase date.



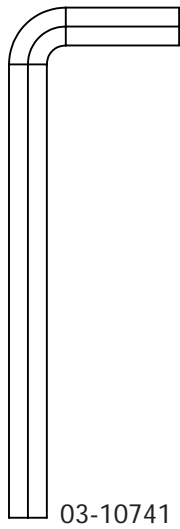
The *Grace*  
*Company*  
Fine Quilting Frames

See Appendix for Part and Assembly Number References.

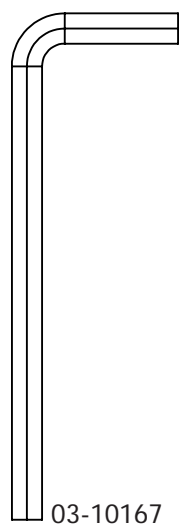
### Tools Needed



**1x**

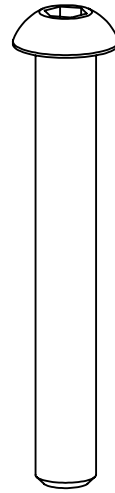


**1x**



**1x**

### Hardware Components



03-11160

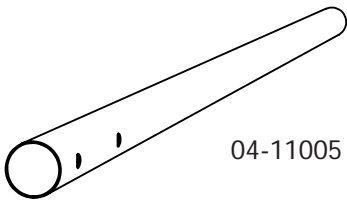
**4x**



03-11159

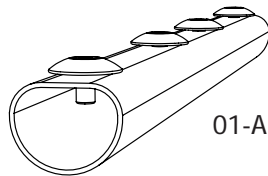
**8x**

### Box Components



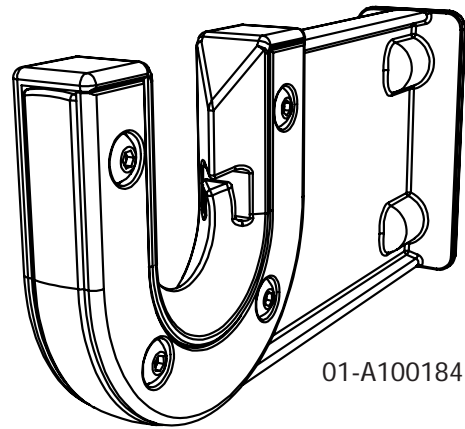
04-11005

**2x**



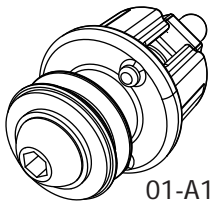
01-A100175

**1x**



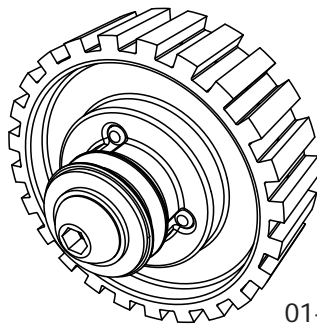
01-A100184

**2x**



01-A100181

**1x**

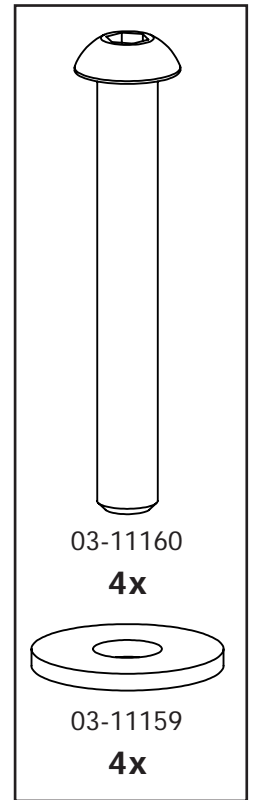
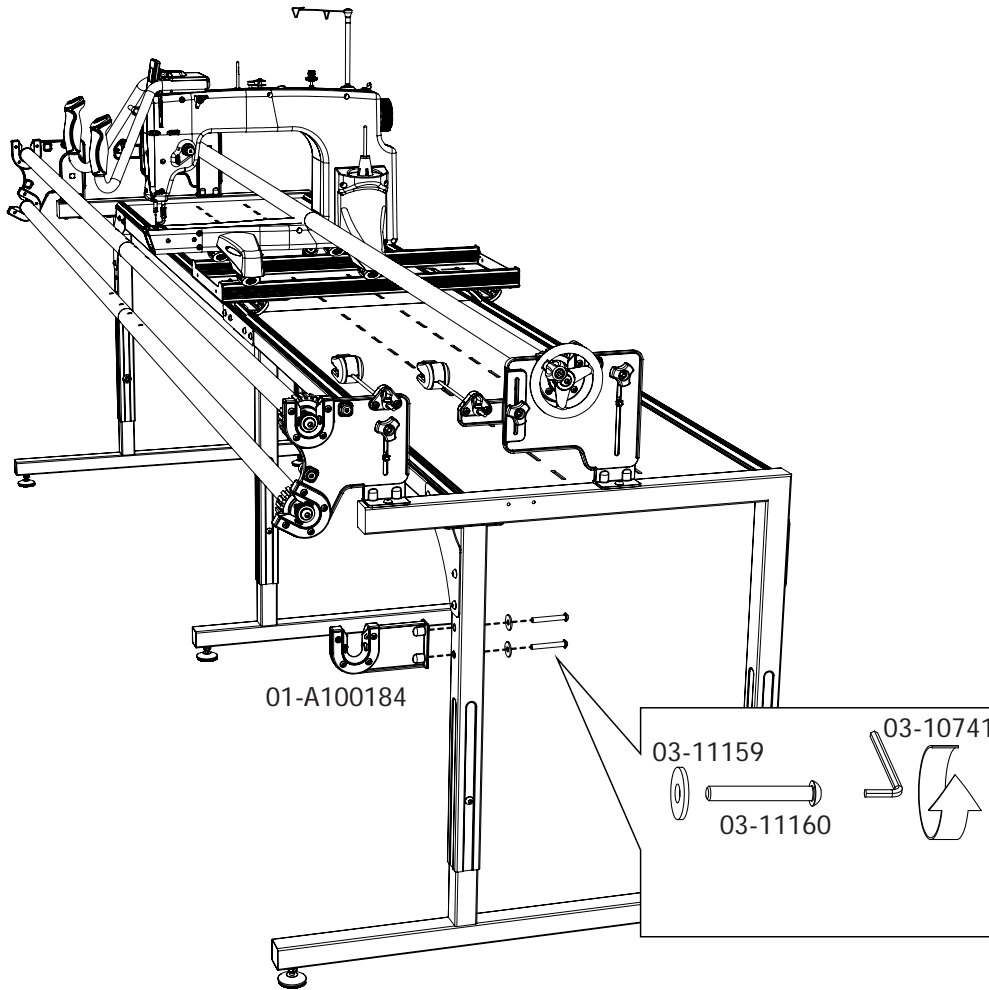


01-A100182

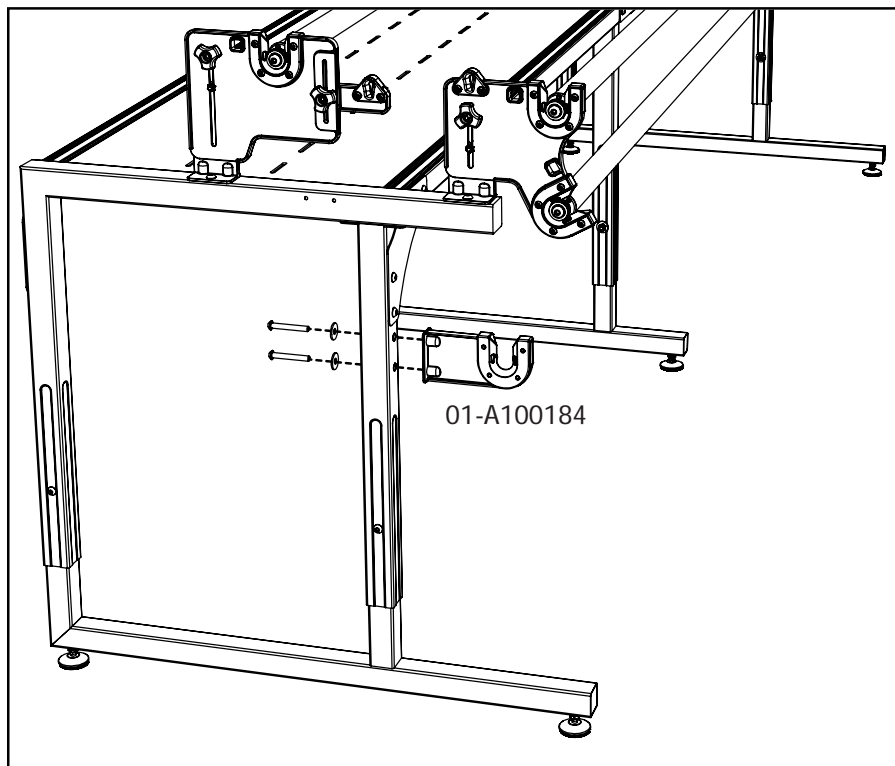
**1x**

# 4th Rail Holder Assembly Attachment

**1**  
**A**

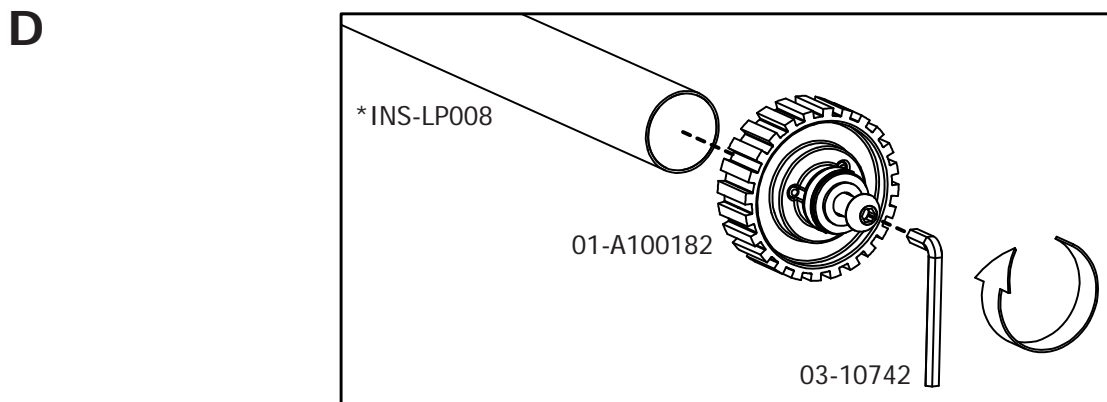
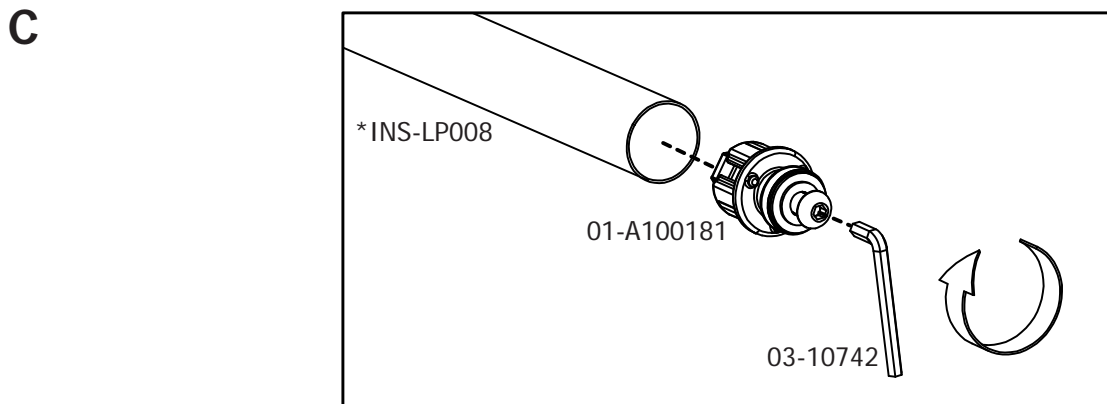
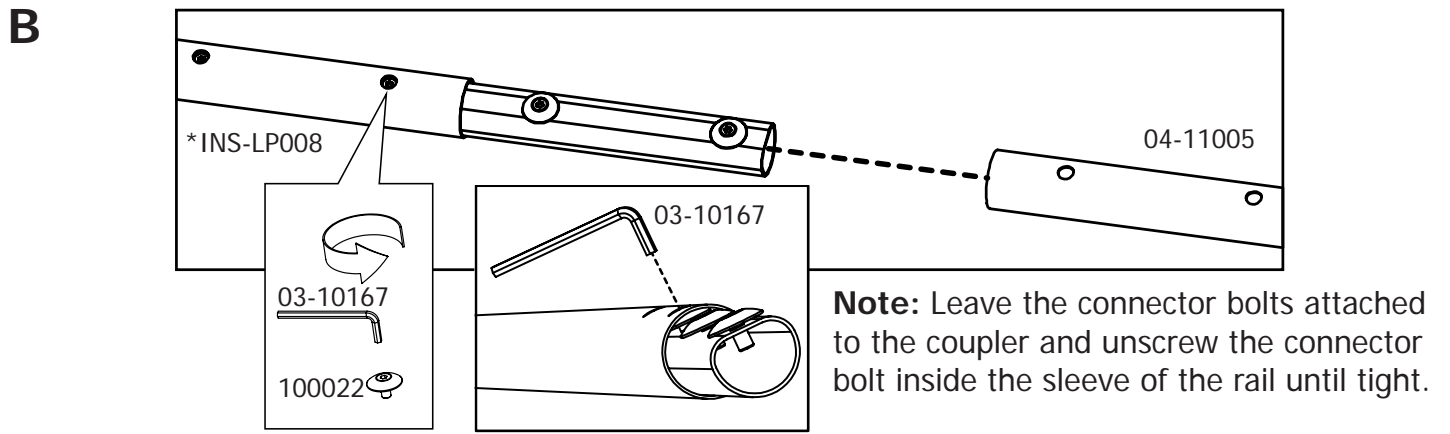
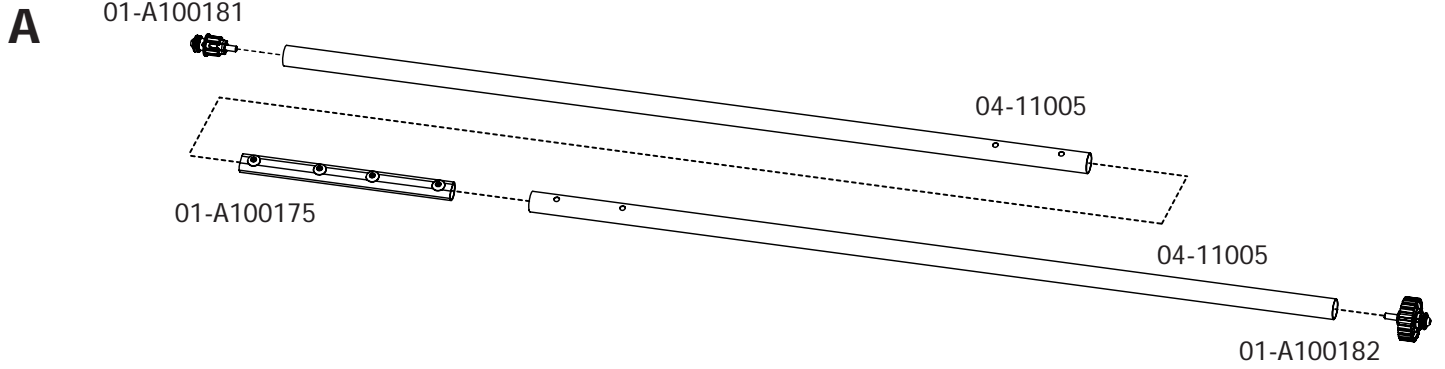


**B**



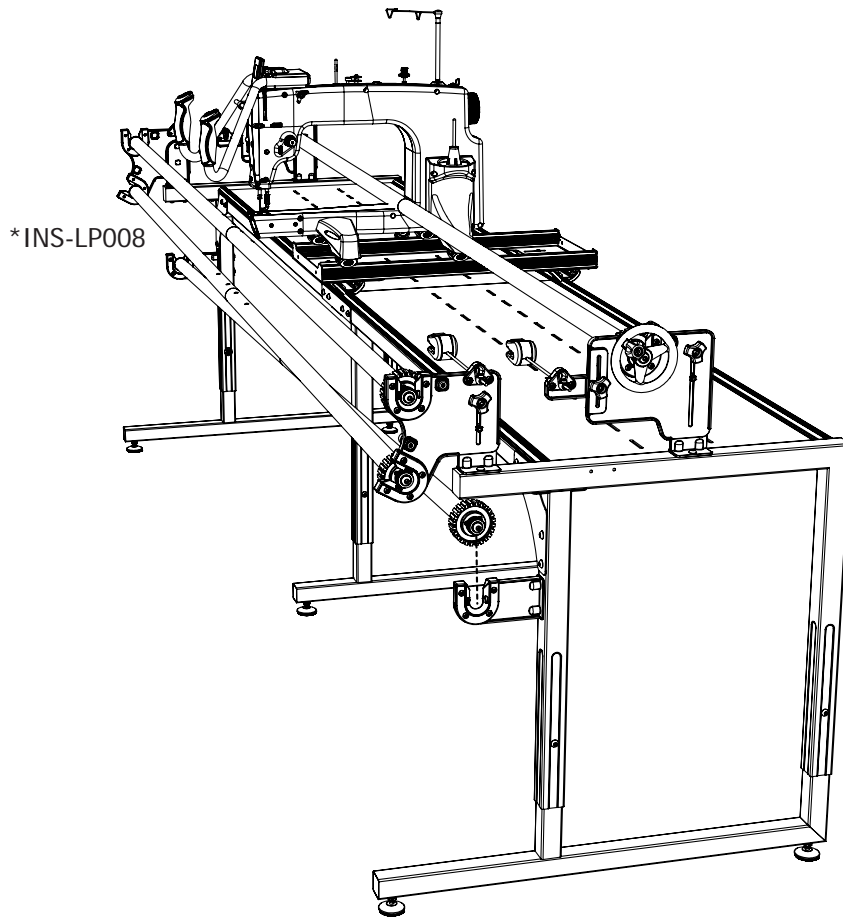
# Geared Rail Assembly

2



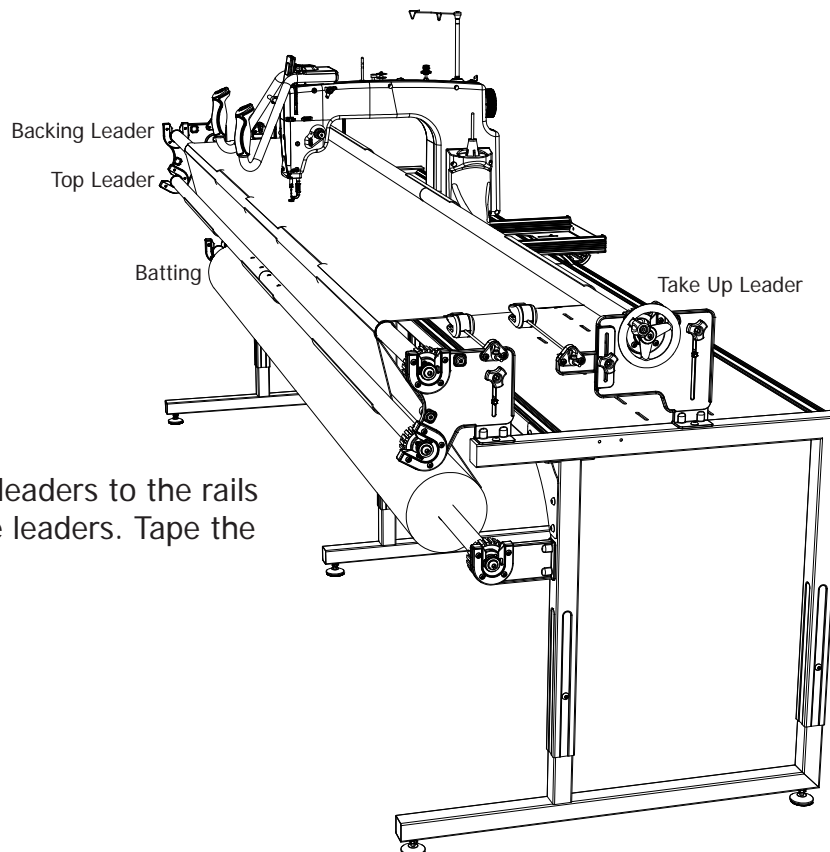
## Rail Attachment

3



## Fabric Attachment

4



**Section 1-1:** Tape the leaders to the rails and pin the fabric to the leaders. Tape the batting to the 4th Rail.

## Appendix A

Part Number	Description		
03-10742	6mm Allen Wrench		
03-10741	5mm Allen Wrench		
03-10167	4mm Allen Wrench		
04-11005	38mm Rail		
03-11160	M8 x 60mm SBHCS		
03-11159	M8 Washer 20mm OD x 11mm ID x 1.5mm		

Assembly Number	Description		
01-A100175	Rail Coupler Assembly		
01-A100181	Rail End Non-Ratcheting		
01-A100182	Rail End Ratcheting		
01-A100184	4th Rail Bracket		
*INS-LP008	Geared Rail Assembly with Handwheel		

\* Are for instruction purposes only.