

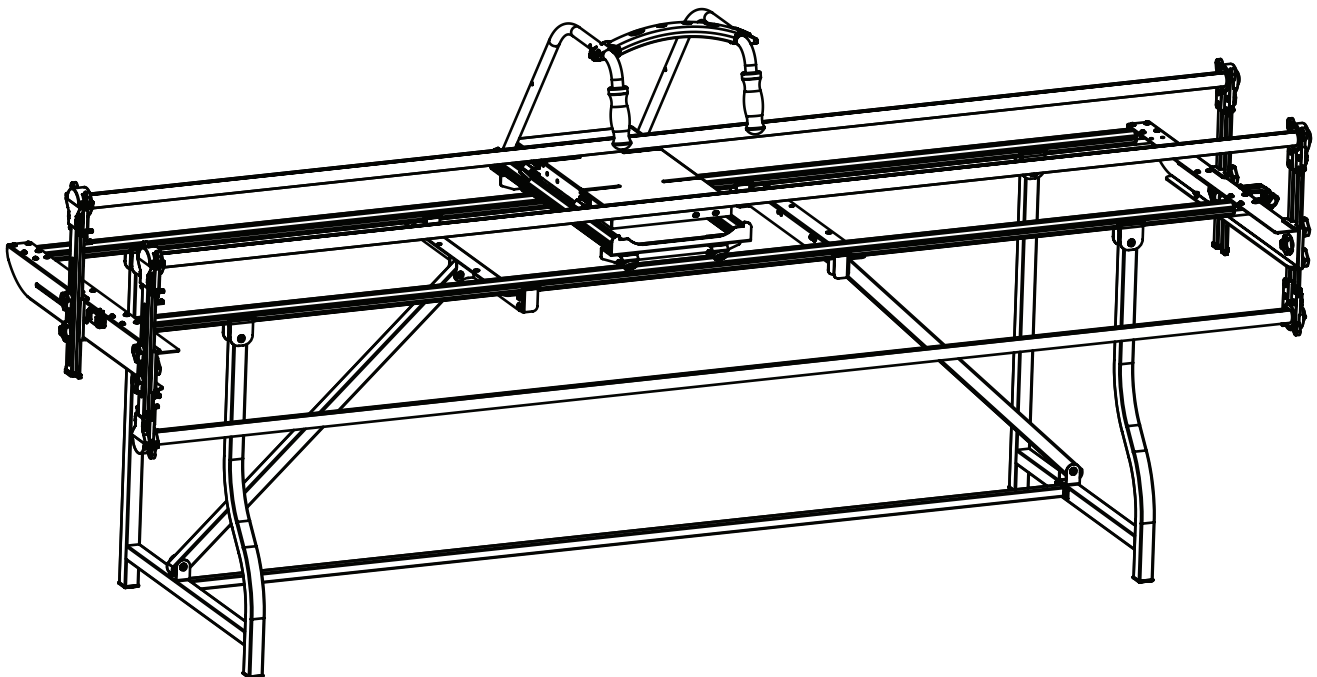
START ▶ RIGHT

Machine Quilting Frame

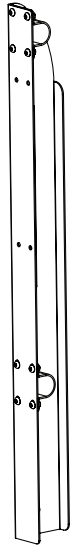
assembly, and instruction manual

Table of Contents

Parts List	Pg. 2
Step 1 - Legs	Pg. 4
Step 2 - Lower Leg Brace	Pg. 5
Step 3 - Frame Ends	Pg. 6
Step 4 - Pole Brackets	Pg. 6
Step 5 - Poles	Pg. 7
Step 6 - Carriage.	Pg. 8
Step 7 - Placing the Carriage.	Pg. 9
Fabric Installation	Pg. 10-11



Parts List



(1) Left Frame End



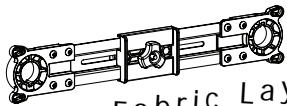
(1) Right Frame End



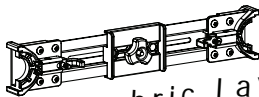
(3) Pole*
36" Display Model
60" Crib
96" Queen



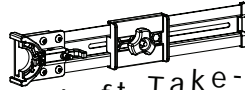
(1) Lower Brace*



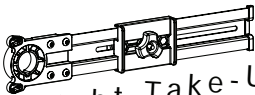
(1) Right Fabric Layers Pole Bracket



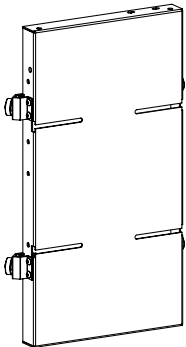
(1) Left Fabric Layers pole Bracket



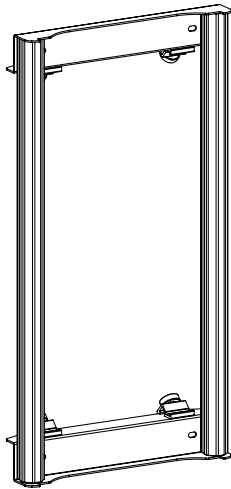
(1) Left Take-Up Pole Bracket



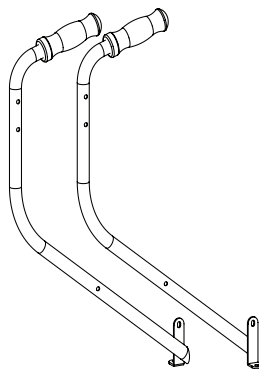
(1) Right Take-Up Pole Bracket



(1) Carriage Top Plate



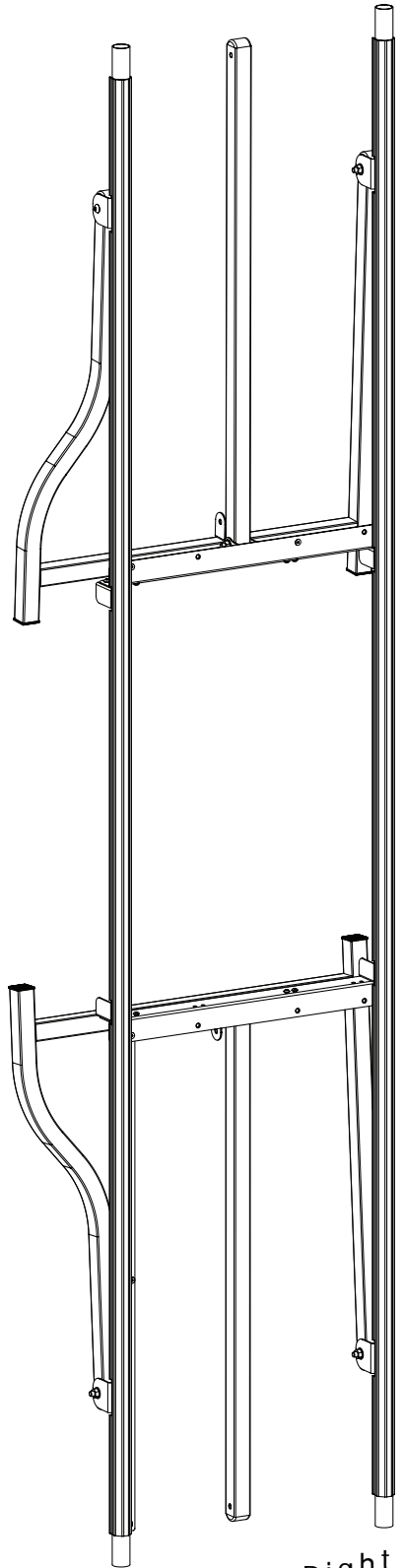
(1) Carriage Bottom Plate



(1) Carriage Handle
Left / Right



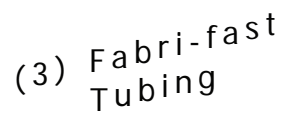
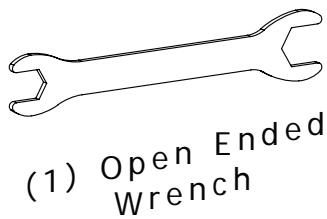
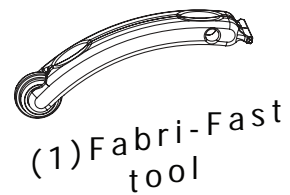
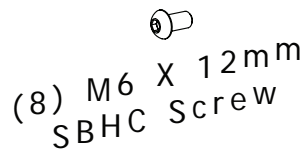
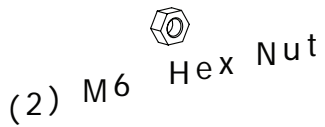
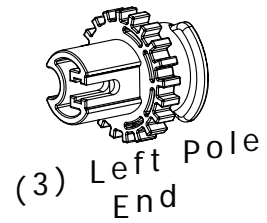
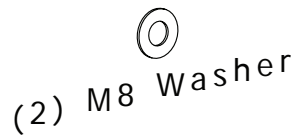
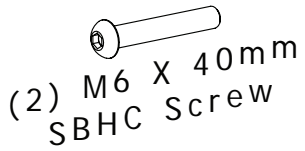
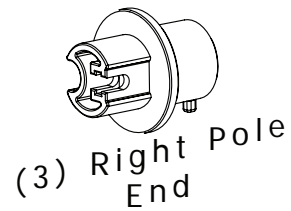
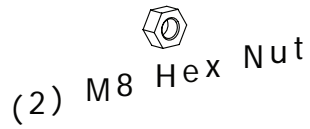
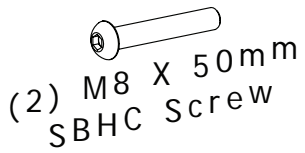
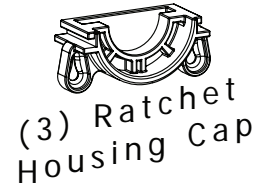
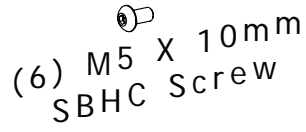
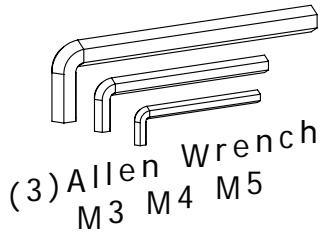
(1) Carriage Cross Brace



(1) Start-Right Quilting Frame*

* Size will vary depending on model

Hardware



Step 1: Legs

Parts Needed:

- (1) Start Right Quilting Frame
- (2) M8 X 50mm SBHC Screw
- (2) M8 Hex Nut
- (2) M8 Washer

Step 1-1: Place your quilting frame on the floor upside down.

Step 1-2: Pivot each leg up, and while holding the leg upright, pivot up the leg brace.

Step 1-3: Insert a M8 X 50mm SBHC Screw through both holes in the leg, the washers, and also the holes in the leg brace. Secure the assembly parts together with a M8 Hex nut.

Notes: Follow these steps for the legs at each end of your quilting frame.

****For 56' and Demo Size Frame Leg Setup, please see the Addendum on pg. 12.****

Fig. 1-1

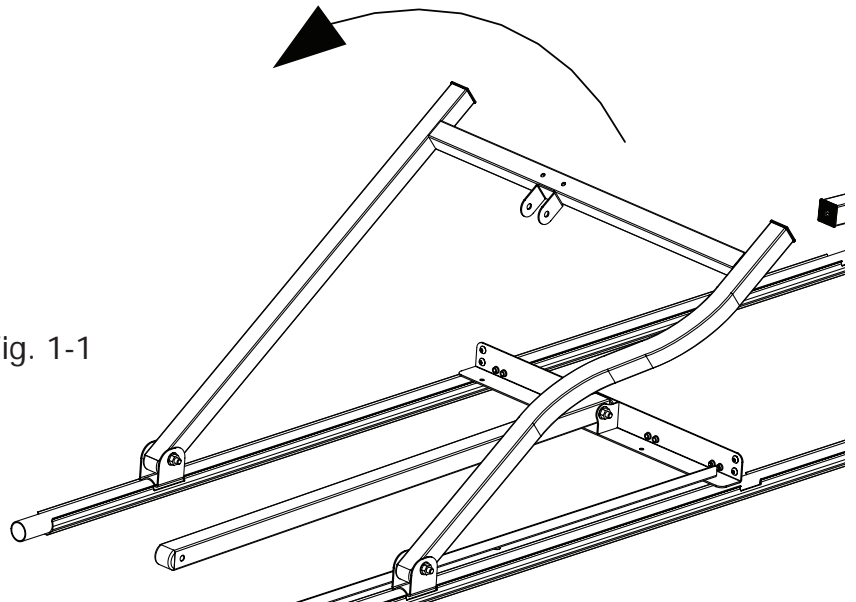


Fig. 1-2

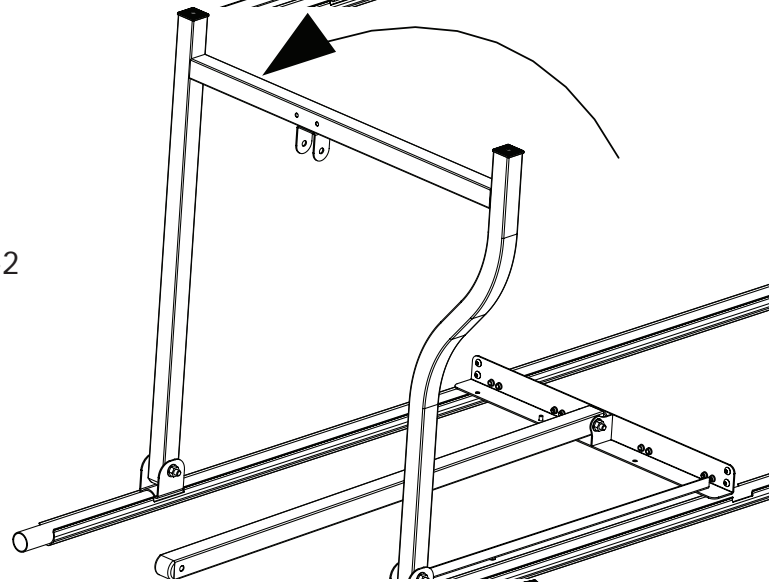
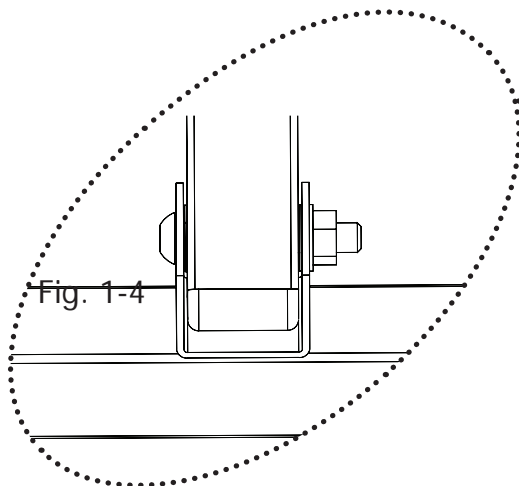
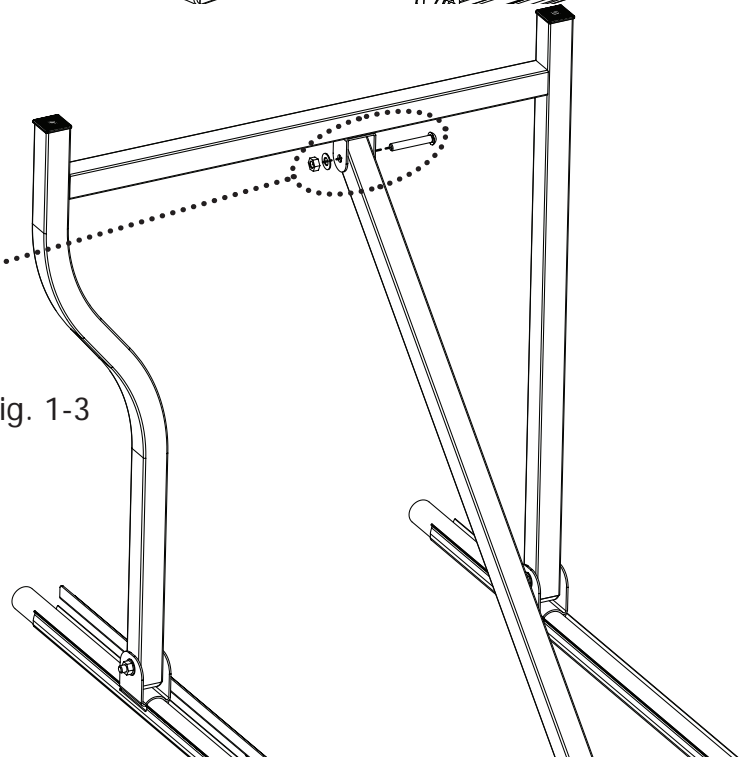


Fig. 1-3



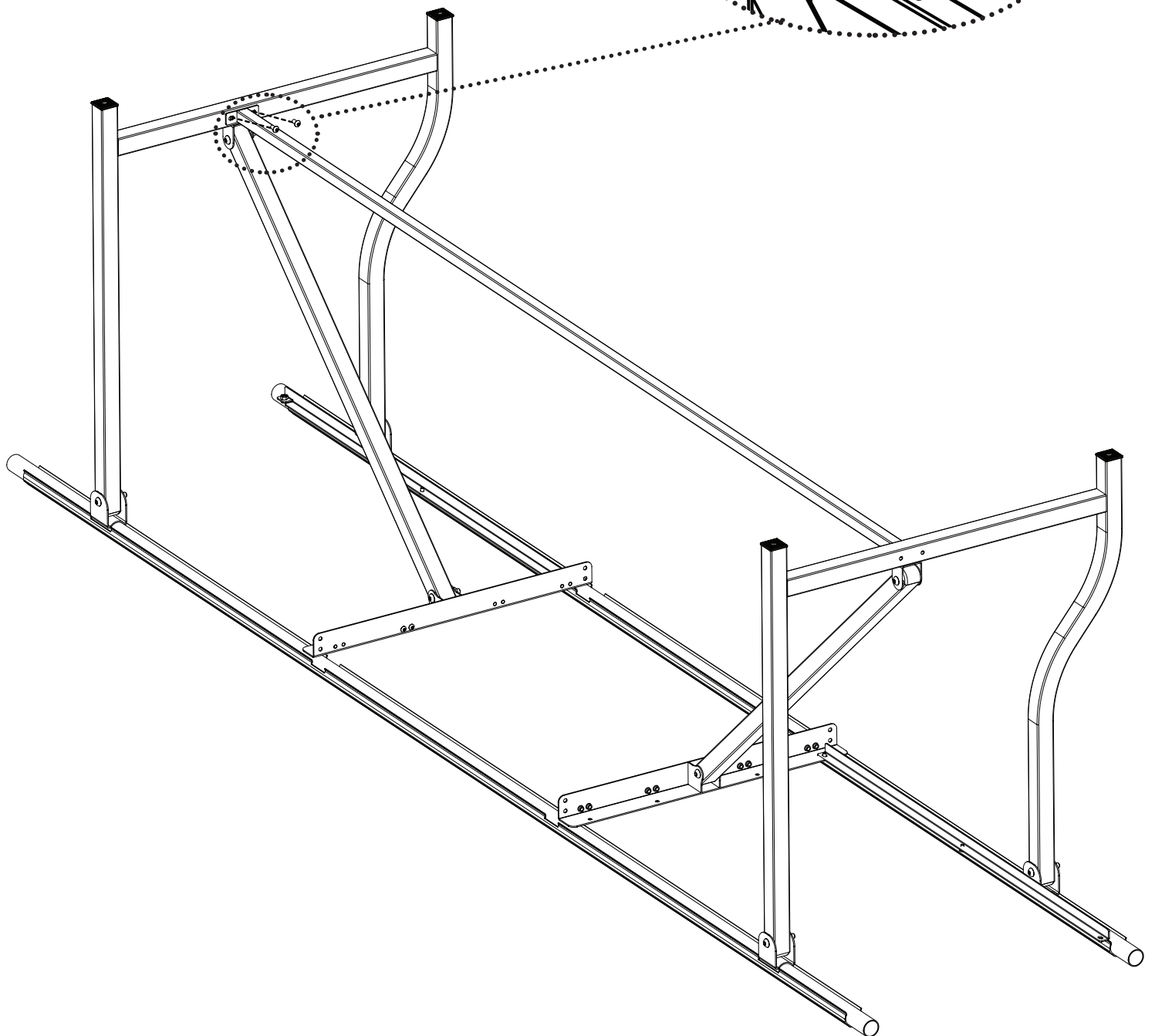
Step 2: Lower Leg Brace

Parts Needed:

- (1) Frame Assembly
- (4) M6 X 12mm SBHC Screw
- (1) Lower Brace

Step 2-1: Secure the lower brace to each leg using four (4) M6 X 12mm SBHC Screws.

Note: After completely tightening the bolts on this step turn the quilting frame over to its upright position.



Step 3: Frame Ends

Parts Needed:

- (1) Frame Assembly
- (1) Frame End Left
- (1) Frame End Right

Step 3-1: To install the frame ends onto the quilting frame you must first loosen the bolts that are holding on the track support brackets.

Step 3-2: Slide each frame end onto the track supports until the track supports are completely seated inside the track support brackets. Then tighten the bolts securing the track support brackets.

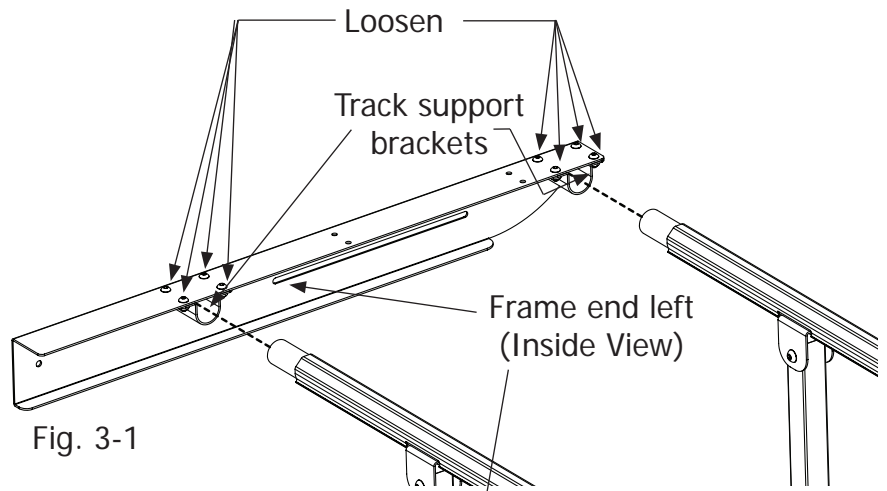


Fig. 3-1

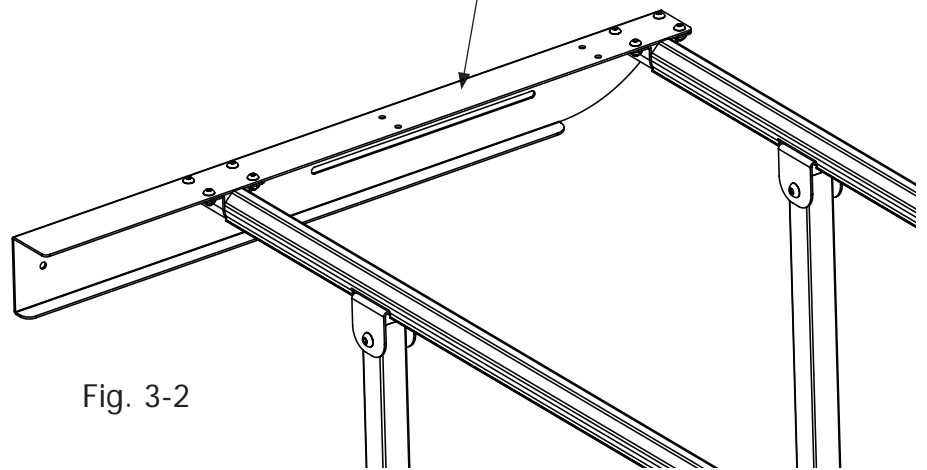


Fig. 3-2

Step 4: Pole Brackets

Parts Needed:

- (1) Frame Assembly
- (1) Left Take-Up Pole Bracket
- (1) Right Take-Up Pole Bracket
- (1) Left Fabric Layers Pole Bracket
- (1) Right Fabric Layers Pole Bracket

Step 4-1: Remove the 3 wing knobs from the inside of each of the pole brackets.

Step 4-2: Attach the pole brackets to the frame ends using the previously removed knobs.

Note: The fabric layer pole brackets go on the outer ends of the frame ends. The take-up pole brackets attach near the middle of the frame ends.

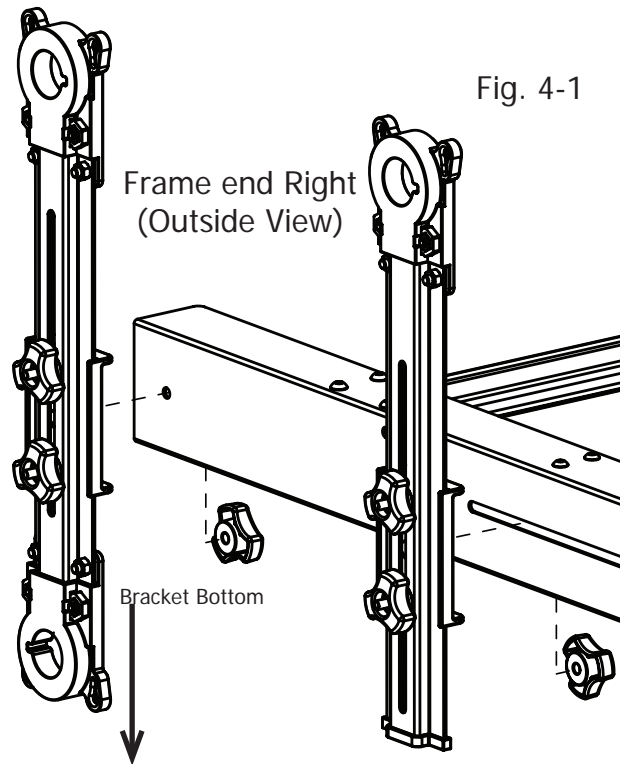


Fig. 4-1

Step 5: Poles

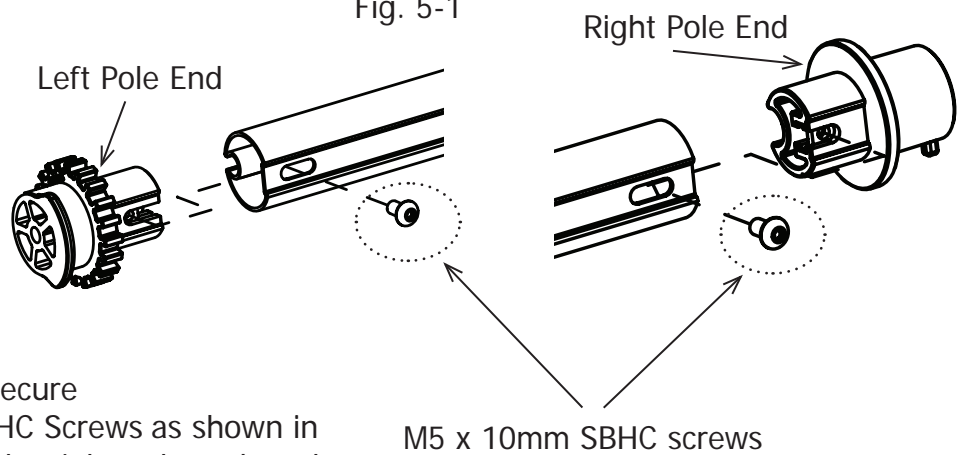
Parts Needed:

- (1) Frame assembly
- (3) Poles
- (3) Left Pole End
- (3) Right Pole End
- (6) M5 x 10mm SBHC screws

Step 5-1:

Insert the left pole end into the end of each pole and secure using three (3) M5 x 10mm SBHC Screws as shown in Fig. 5-1. Repeat this step with the right pole end on the opposite side of the pole.

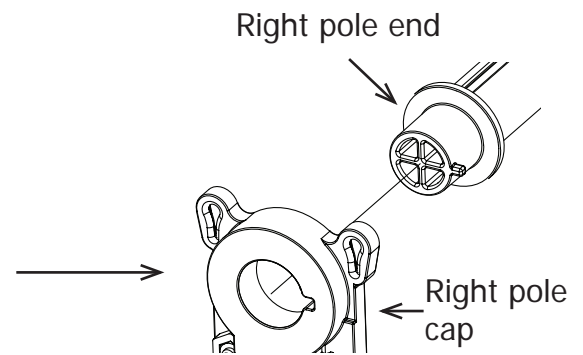
Fig. 5-1



Step 5-1: Insert the left pole end of the pole into a pole cap.

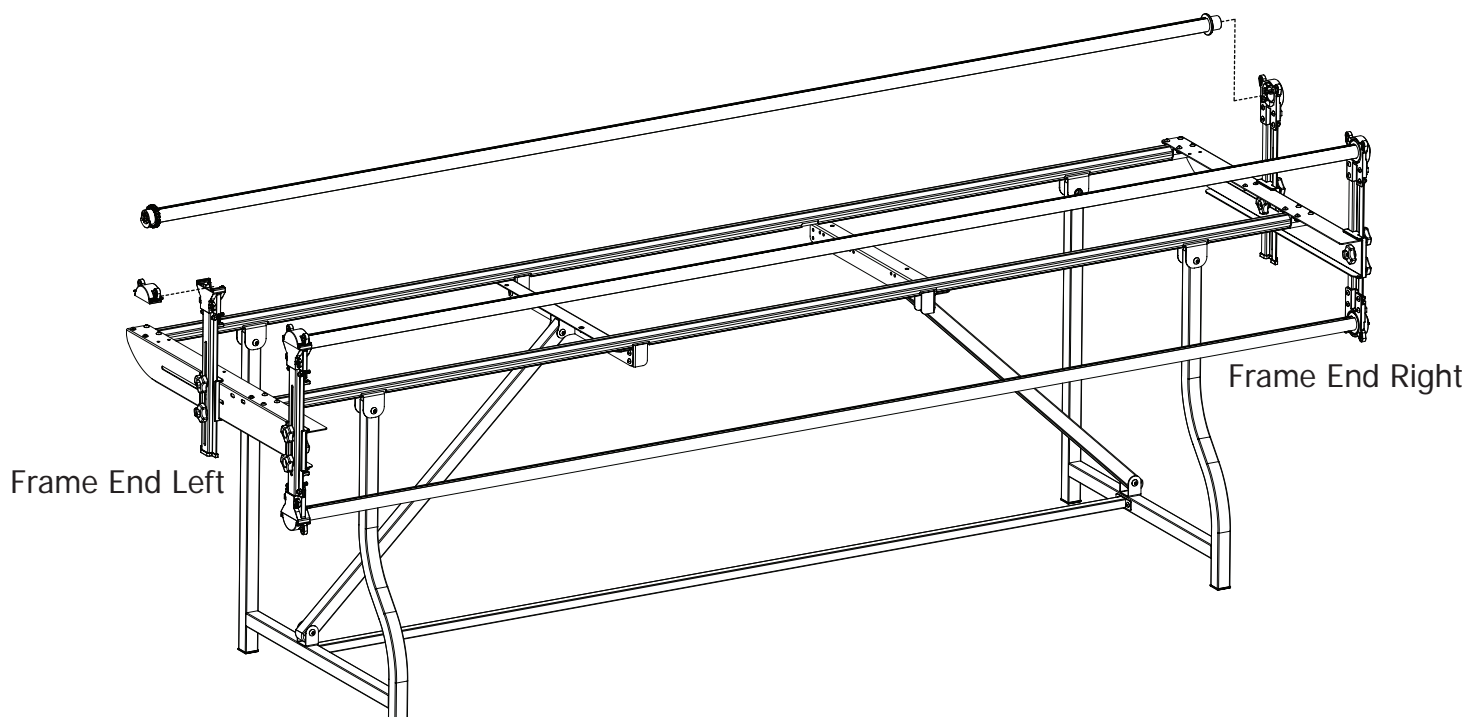
Note: The notch on the Right Pole End needs to line up with the slot in the pole cap before it can be inserted.

Step 5-2: Insert the other end of the pole into the appropriate ratchet base on the opposite end of the frame.



Note: Attach the take-up pole to the frame after completing Step 7-3 (Sewing machine placement).

Step 5-3: Finally secure the pole in place by sliding the ratchet caps onto each ratchet base.



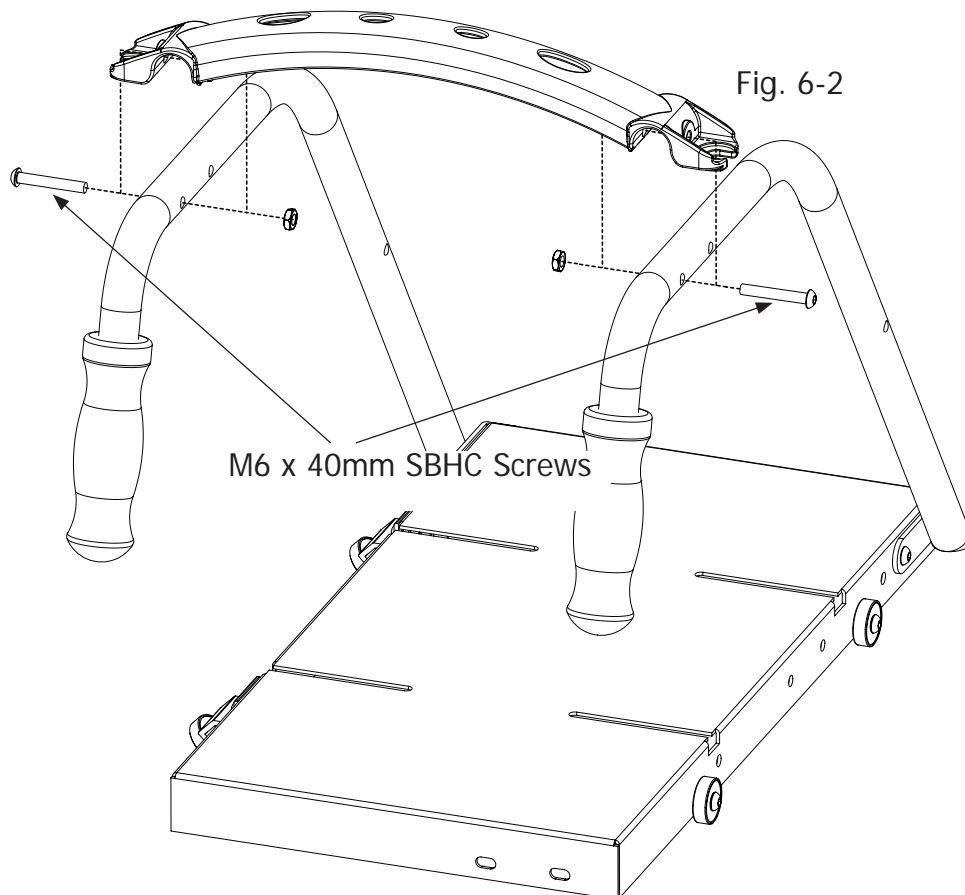
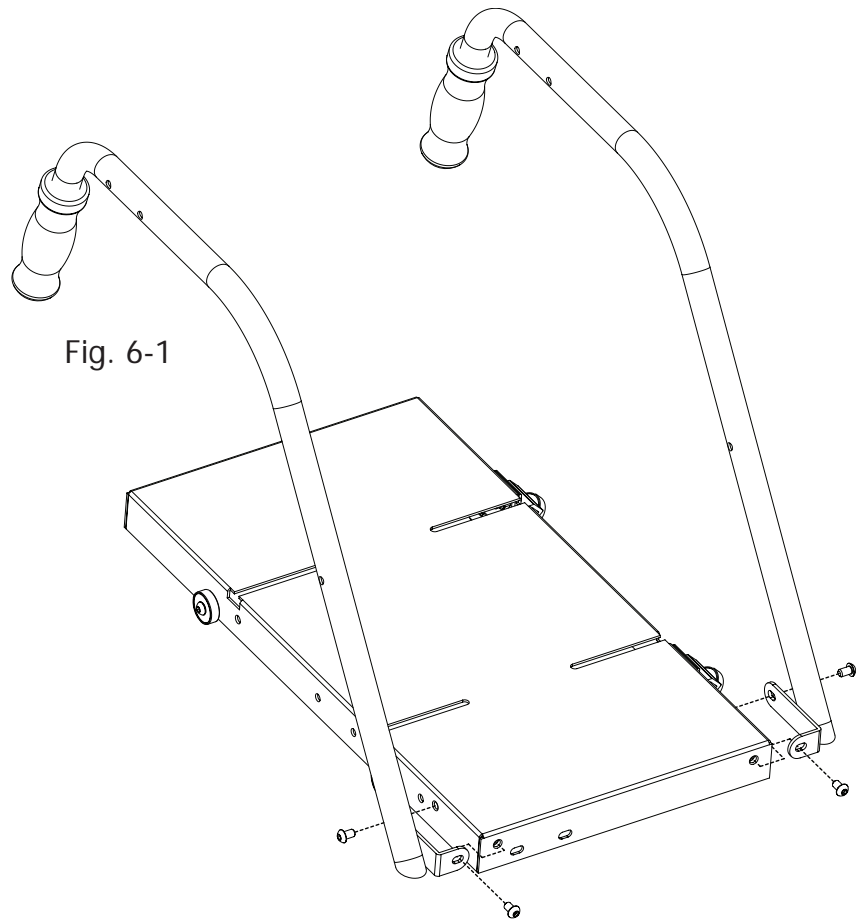
Step 6: Assembling The Carriage

Parts Needed:

- (1) Carriage Top Plate
- (1) Left Handle
- (1) Right Handle
- (1) Handle Cross Brace
- (4) M6 x 12MM SBHC Screw
- (2) M6 x 40MM SBHC Screw
- (2) M6 Hex Nuts

6-1: Start by attaching your left and right handles to the carriage top plate using two (2) M6 x 12mm SBHC Screws on each handle, as shown in Fig. 6-1.

6-2: After your handles are attached place the handle cross brace on the top of the handles and secure it with two (2) M6 x 40mm SBHC Screws and two (2) M6 Hex Nuts as shown in Fig. 6-2.



Step 7: Placing The Carriage

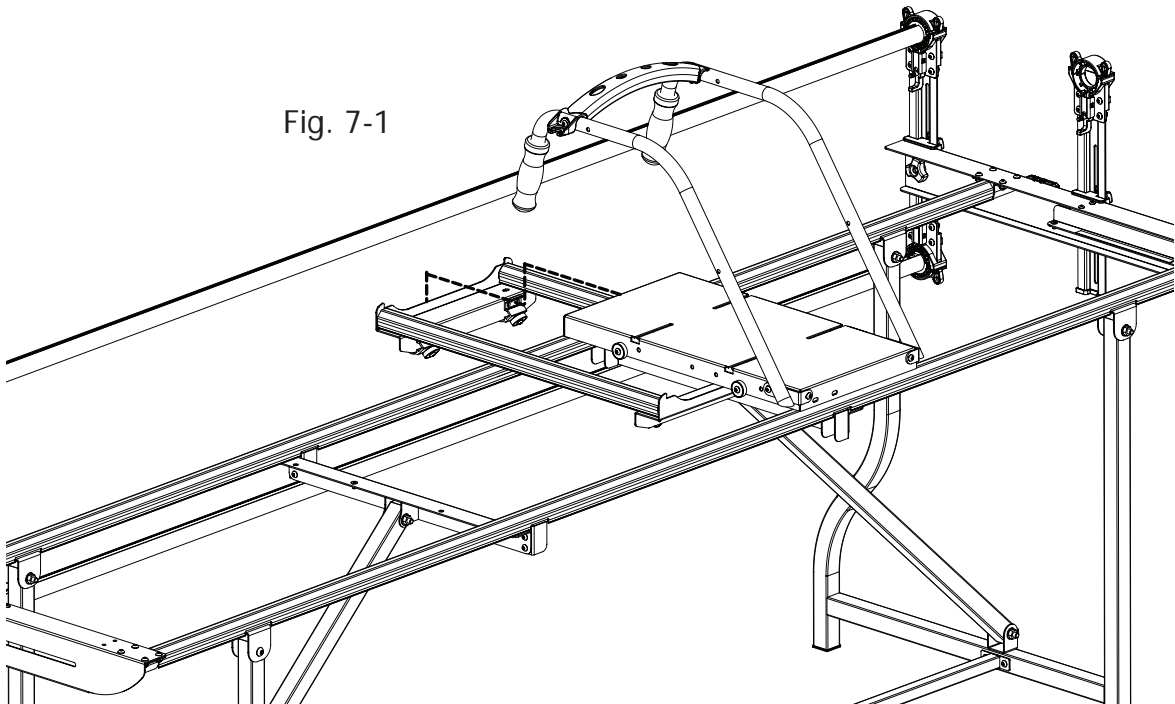
Parts Needed:

- (1) Frame Assembly
- (1) Top Plate
- (1) Bottom Plate
- (1) Sewing Machine

Step 7-1: First place the bottom plate onto the quilting frame. The sets of double wheels should be placed toward the front of the frame. The front is the side of the frame with all of the poles attached to it.

Step 7-2: Next place the top plate on top of the bottom plate. The foam handles on the top plate also face toward the front of the frame.

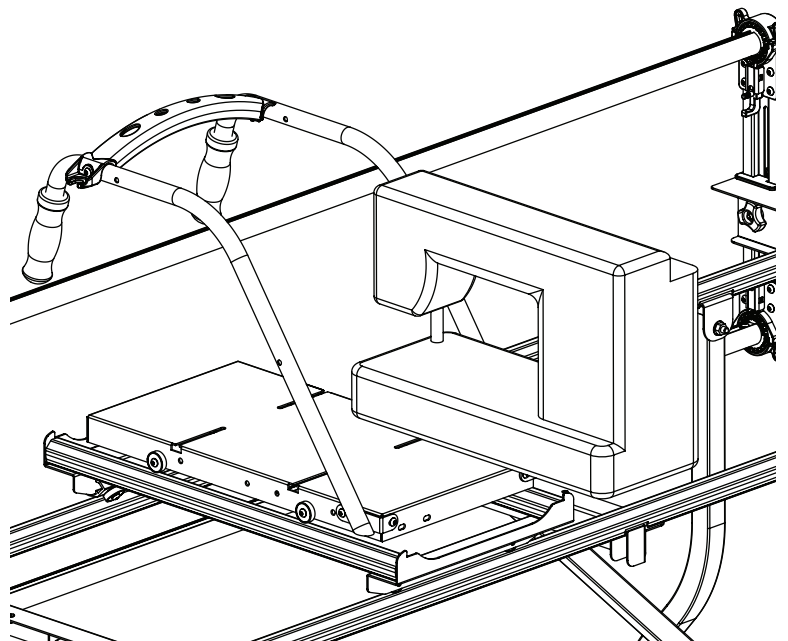
Fig. 7-1



Step 7-3: Finally, place your sewing machine onto the carriage as shown in Fig. 7-2.

Step 7-4: After your sewing machine is in place install the take-up pole. The take-up pole will go through the throat of your sewing machine, and attaches exactly as done previously in Step 5 with the other poles.

Fig. 7-2



Congratulations! You have completed the assembly of your Start-Right Quilting Frame.

All that remains is to install your fabric and begin quilting!

With the specially designed Fabri-Fast poles, installing your fabric is easier on the Start-Right than on any other frame. Each pole has a Fabri-Fast slot and accompanying tubing. These work together to make your fabric installation much easier and faster than using tape, tacks or Velcro®.

Before you begin, please locate the plastic Fabri-Fast tool (blue) included in your shipment.

We recommend you begin with practice material allowing you to experiment with machine settings and stroke techniques.

NOTE: As you cut your fabric layers, we recommend making the quilt backing about 6-8" longer and 2-4" wider than your top. This will allow for a little give in the backing, especially if using thicker batting

Start-Right fabric installation

Methods of Installation

- The recommended method for installing fabric onto the poles is to make and use Cloth Leaders (instructions to follow). You may also apply your fabric layers directly to the poles. In this instance you would follow the same procedures as outlined, omitting the cloth leaders.
- With either method it is very important to cut all your fabric square. This will make all the following steps much easier! A rotary cutter helps achieve more precise results.

This following is a brief overview to show which fabric layer goes to each pole

OVERVIEW:

Step 1: Install Quilt Backing to 2nd pole and roll up.

Step 2: Install Quilt Top to 3rd pole and roll up.

Step 3: Attach Quilt Backing to Take Up Pole

Step 4: Place Batting on floor underneath Quilt Top Pole, pull end of batting up between 3rd and 2nd pole, and lay over Quilt Backing.

Step 5: Attach Quilt Top to Take Up Pole.

Making cloth leaders

- First, select your cloth leader material. We recommend using a good quality muslin or similar fabric that has a good thread count. Be aware, however, that if the fabric is too thick, it may prove more difficult getting it installed into the pole slot.
- Surge or hem your cloth leaders on all sides.
- Make a cloth leader with the following lengths (these may need to be slightly longer if spreading Pole mount ends).
- Mark a dashed line along the length of your leader about ½" in from the edge. You will use this as a guide to help you insert your leader into the slot in straight line.
(OPTIONAL: For a straighter cloth leader installation, some may consider it easier to make a casing and push the tubing into the casing before installing it into the slot. If you wish to do this, create a casing on one end of each leader by folding over the fabric one inch (1"), and, using your foot pedal as

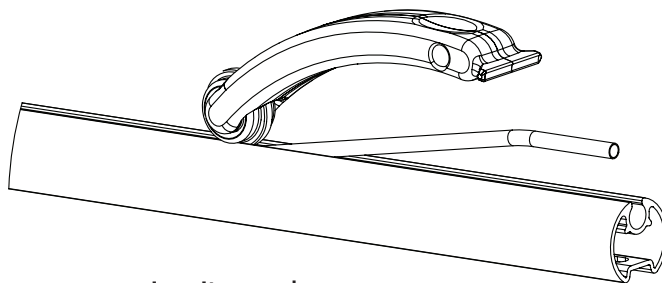
a guide, stitching the fabric together 3/4" from the fold. This will leave about 1/4" of fabric beyond the stitching. Leave the edges open on both ends. You may then slide your tubing into the casing).

- Mark each cloth leader at the center (length-wise).
 - Mark (or baste) a straight line about 1/2" in from the opposite (non-casing, or non-dashed) end of the leader. This will be the line to which you attach your fabric layer.
 - Center your cloth leader lengthwise along the pole. Using Grace's new Fabri-Fast™ System, take a piece of plastic tubing (cut to the appropriate length), and, holding your cloth leader to the slot (lining up the dashed line), press the tubing over the leader and into the slot. Use the Fabri-Fast tool to press the rest of the tube and fabric in quickly and easily. (If you have made a casing, line up this casing w/ tubing over the slot and press it into the slot using the Fabri-Fast tool.
- This illustration show the cloth leaders installed on each pole prior to your quilt layers being installed.

Installing your fabric layers to the Poles

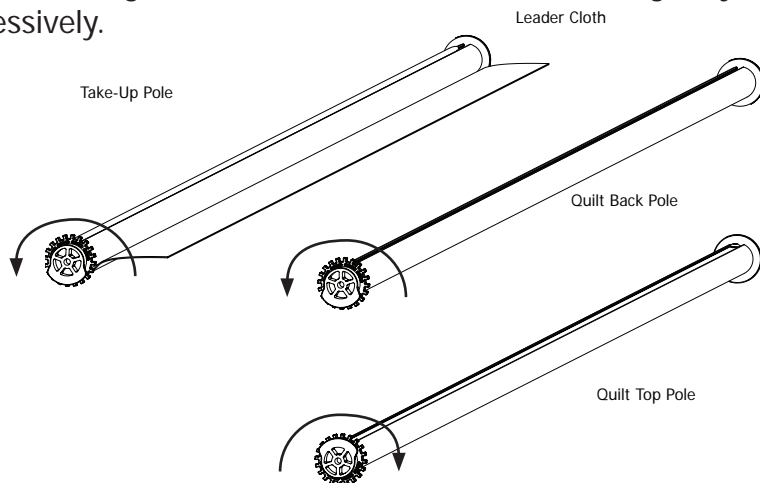
Step 1: Quilt backing to second Pole

- To begin, determine which will the front and back edges of your quilt BACKING (be sure it will fit within the width of your frame set-up).
- NOTE: If your backing is made up of more than one piece of fabric, cut your selvages off and flatten them out to allow the backing the proper give it needs.
- Line up the center of your fabric layer with the center of the cloth leader on the 2nd Pole. Pin the back edge of your backing to the leader cloth. This is to be done with the finished side of the fabric facing up.
- Do not stretch or pull the fabric during this process. Let it lay as naturally possibly.
- Roll your leader and backing onto the 2nd pole completely. Watch to make sure the fabrics stay lined up. Smooth out any wrinkles as you roll by brushing the fabric from the center out. However, be very careful not to stretch or pull the fabric excessively.
- NOTE! It is important that you roll the pole the proper direction so the fabric rolls over and onto the 2nd pole (see picture).



Step 2: Quilt top to 3rd Pole

- Determine which will the front and back edges of your quilt.
- Line up the center of your fabric layer with the center of the cloth leader on the 3rd Pole. Pin the back edge of your top to the leader cloth. This is to be done with the finished side of the fabric facing up.
- Do not stretch or pull the fabric during this process. Let it lay as naturally possibly.
- Roll your leader and top onto the 3rd pole completely. Again, be sure the fabrics stay lined up. Smooth out any wrinkles as you roll by brushing the fabric from the center out, being very careful not to stretch or pull the fabric excessively.
- Note! It is important that you roll the pole the proper direction so the fabric rolls onto the 3rd pole the right way (when fabric rolls off the pole toward the take-up pole, it should roll under and off the pole. (See picture).



STEP 3: Batting

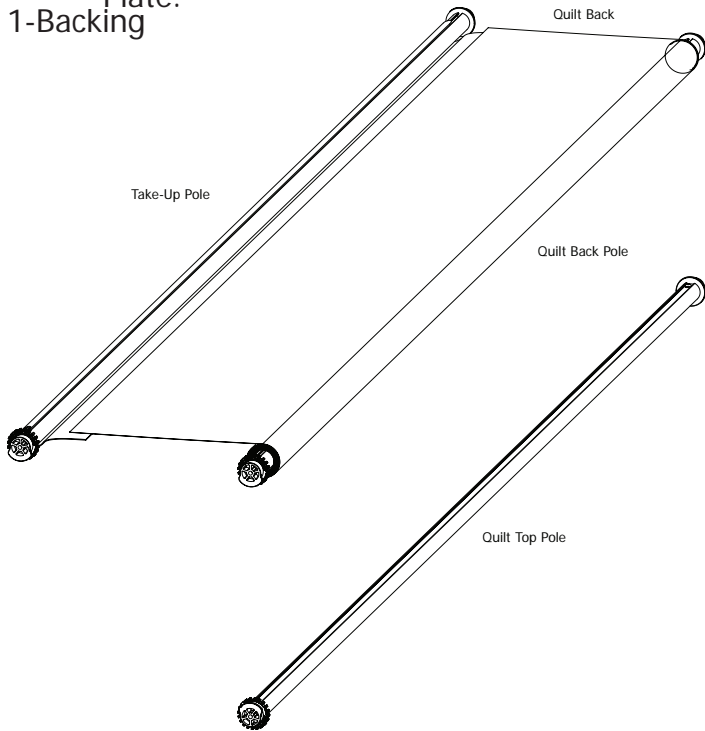
- A light, bonded batting is recommended.

Step 4: Attaching layers to take-up Pole

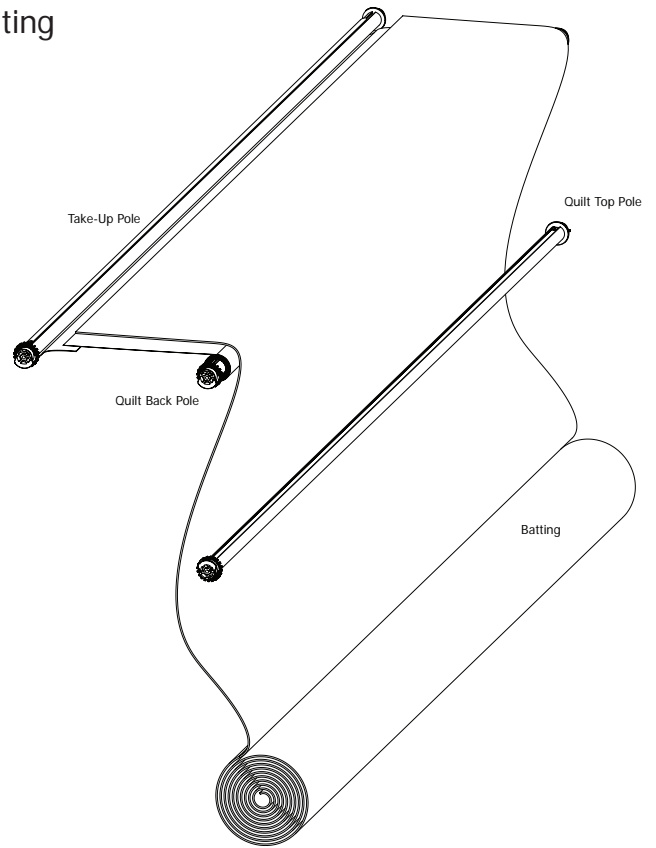
Take the edge of the quilt backing and pin it along the straight line of the take up pole leader.

- Once your fabric is in place, it is time to put your Top and Bottom Plates (with sewing machine) onto the frame.
- Lift the 1st pole up out of its slot and place the left end through the throat of the machine. Then place it back in the slot.
- Set the Top Plate onto the Bottom Plate making sure the wheels line up in the tracks of the Bottom Plate.

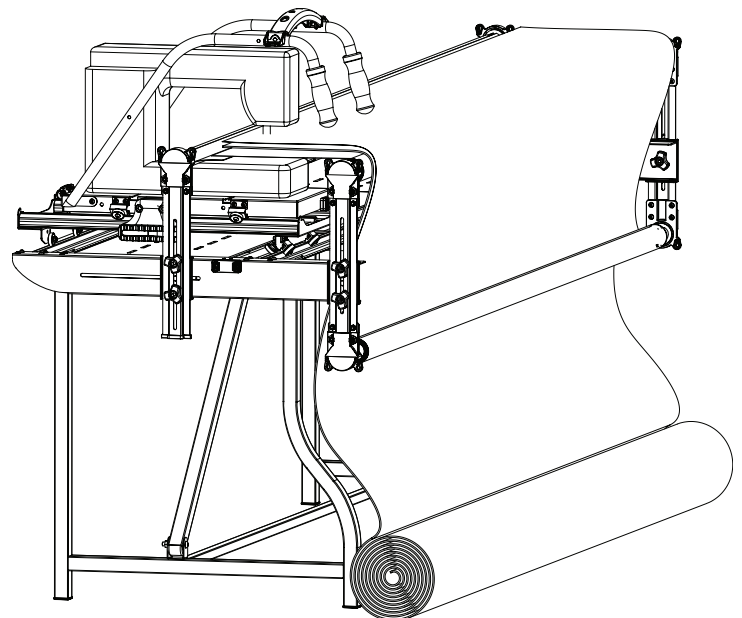
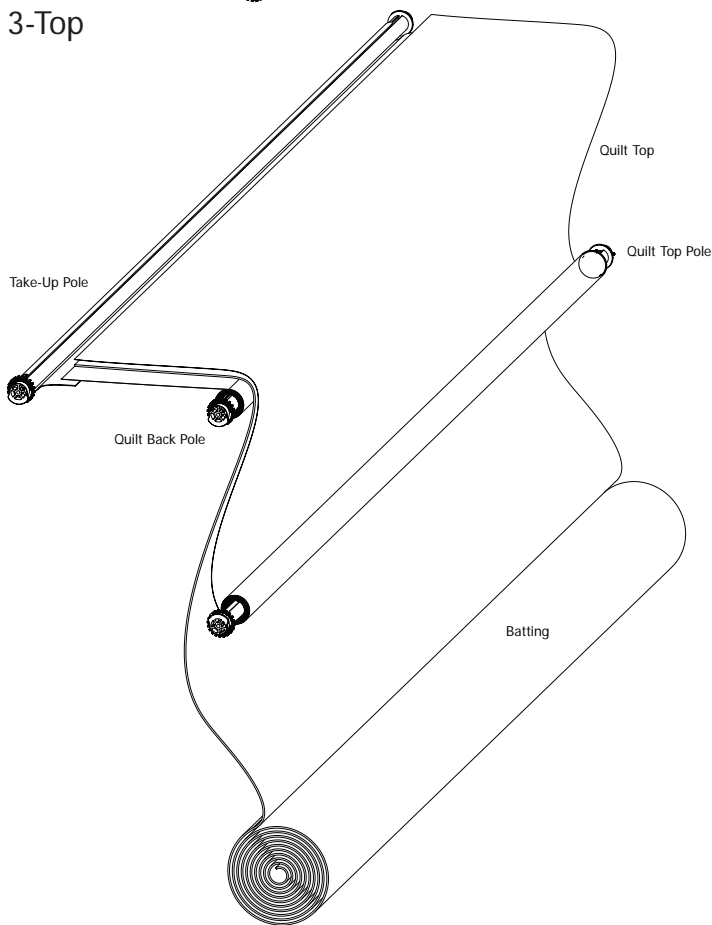
1-Backing



2-Batting



3-Top



Rolling your fabric

- When you have completed your work area and are ready to roll to the next, simply take the stops off the 2nd and 3rd poles, allowing them to roll freely. Then, with one or both hands, roll the 1st pole forward, rolling the completed work area onto that pole.
- TIP! As you roll forward, the quilt will accumulate on the 1st pole. Be sure to raise the Pole Mount Ends slightly as needed, so that the bottom of the rolled up fabric stays about 1/8" above the throat place of the sewing machine base. Failing to do so will cause your Carriage Assembly to roll less smoothly.

The Four-Inch Principle

- If you are using a sewing machine with a smaller size throat (3" to 7"), you will want to follow the four-inch principle: Limit any quilting pattern to four inches or less from front to back.

If you have the 4th Pole option: Install Batting to 4th Pole and roll up.

- The Start-Right gives you close to 16" of reach, but because of a limited throat size of your machine, and because the fabric will eventually roll up on the 1st pole, further decreasing space, you will want to keep patterns to a 4" limit.
- You will want to thread the end of one your bungee cord through the little hole on your left Take Up Pole Mount End, as pictured.
- You will then want to attach the clamp to your fabric.
- With the clamp attached and your cord through the hole you will want to pull the excess cord and when you get your fabric tight you will pull the cord through the slot next to where you threaded your cord.
- You will follow the above steps for the rest of the left side, except your bungee cord will go through the Left Fabric Layer Pole Mount End.
- Follow the above steps to complete the right side.

56" and Demo Size Frame Addendum

Step A-1: Insert legs between the leg mounts as shown in step A-1

Step A-2: Insert a M8 X 50mm SCHC Screw through both holes in the leg and also the holes in the leg brace. Then place a washer onto the end of the screw. Secure the assembly parts together with a M8 Hex nut as shown in Fig A-2.

Fig. A-1

Step A-3: While holding the leg upright, insert the leg Brace inbetween between the leg mounts as shown in Fig. A-3

Step A-4: Insert a M8 X 50mm SCHC Screw through both end holes in the leg brace. Then place a washer onto the end of the screw. Secure the assembly parts together with a M8 Hex nut as shown in Fig A-2.

Once Step A-4 is completed return to Step 2: Lower Leg Brace

Fig. A-2

Fig. A-3

Leg Brace