



INSTRUCTION MANUAL

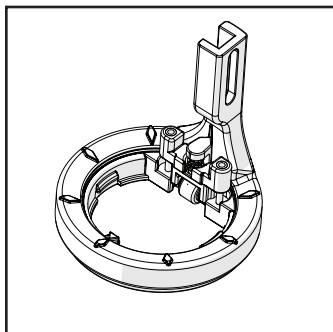
Copyright November 5, 2021
Grace Company
(Reproduction Prohibited)
Version 1.2

Q'nique¹⁵

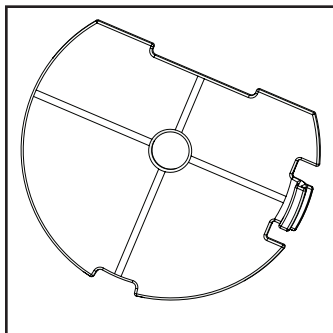
Contents

| | |
|-------------------------------------|---|
| Parts & Tools | 2 |
| Lens Swapping Instructions | 5 |
| Foot Installation Instructions..... | 6 |

Parts & Tools

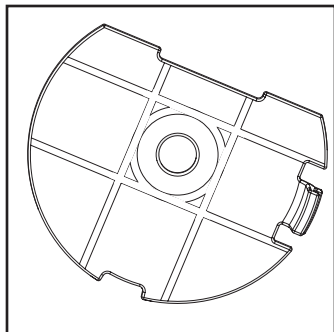


Wonderfoot
(ACC-09-15216)



LENS A - Stitch In the Ditch
(ACC-05-15206)

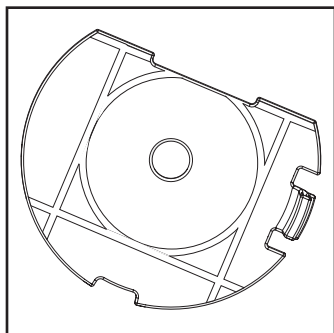
- Trace seams and lines



LENS B - 1/4" Offset

(ACC-05-15208)

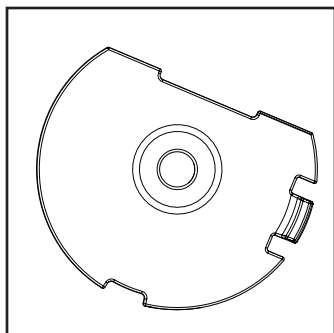
- Echoing and offset lines



LENS C - 3/8" Offset

(ACC-05-15207)

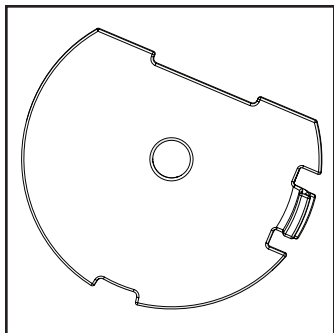
- Echoing and offset lines



LENS D - 1/4" Circle

(ACC-05-15211)

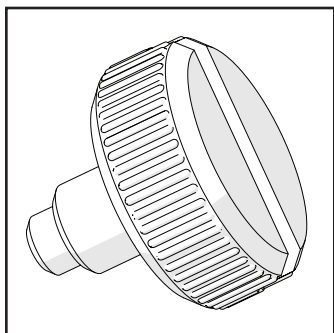
- Echo and offset curves



LENS E - Clear

(ACC-05-15210)

- Clear view of needle area.

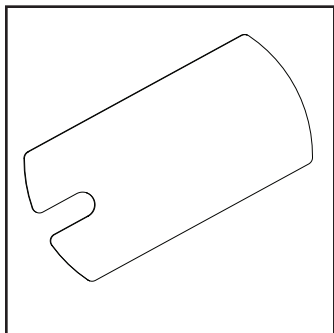


Needle Bar Thumb

Screw M3 x 4 mm

(HDW-04-15109)

- Replace the current thumb screw on your machine.

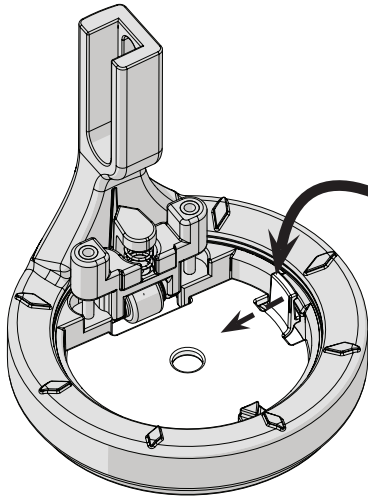


Hopping Foot Height Tool

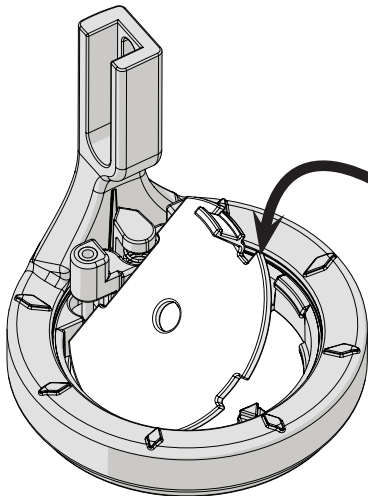
(SMP-04-12171)

- Set hopping foot height for quality stitching.

Lens Swapping Instructions



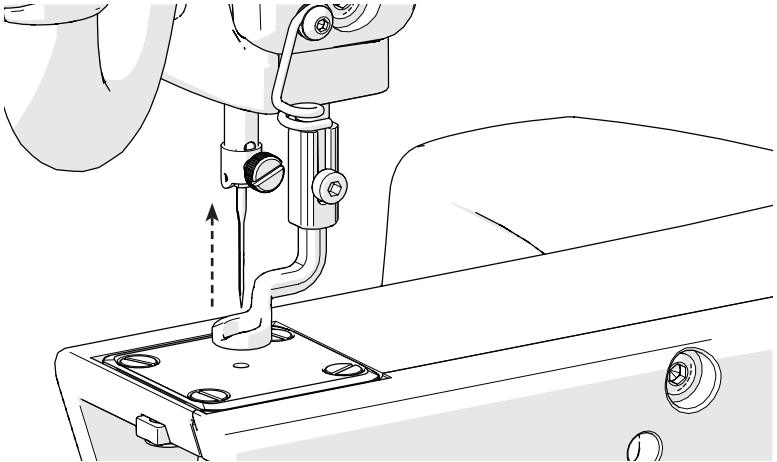
Push the tab inward to pop the lens out of the Wonderfoot.



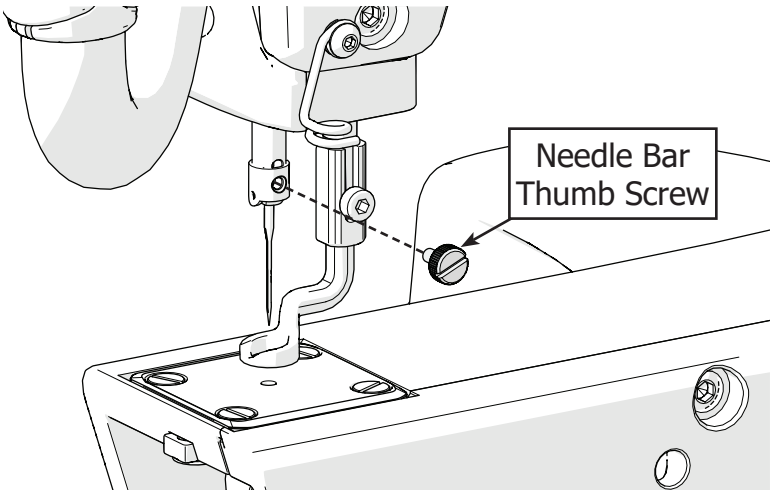
Align the insert edges and press into the Wonderfoot.

Foot Installation Instructions

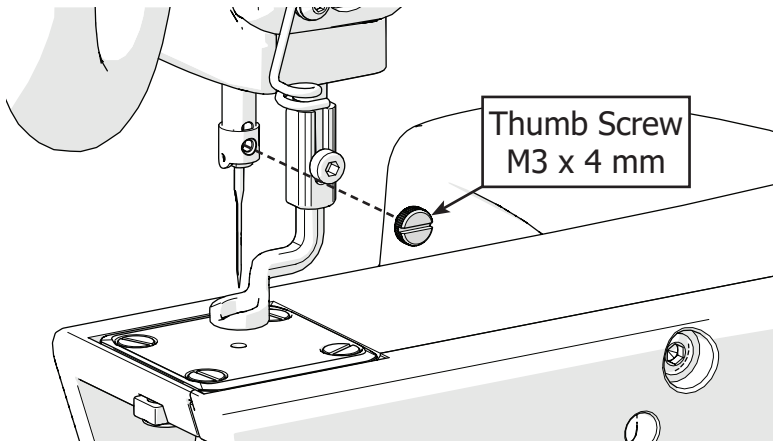
- 1 Raise the needle.



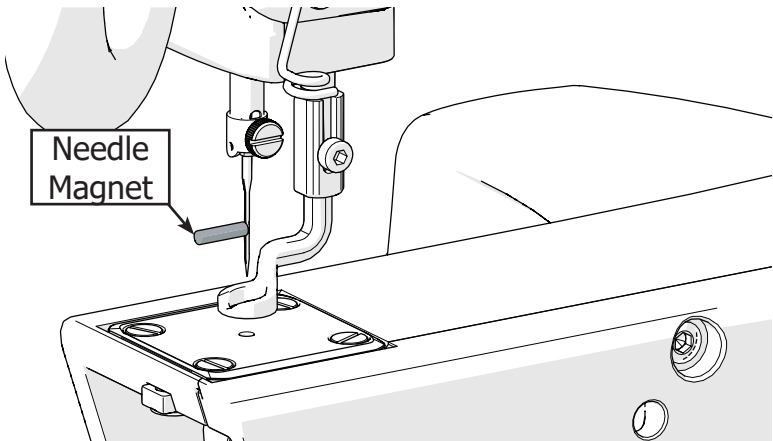
- 2 While holding the needle in place, remove the **needle bar thumb screw**.



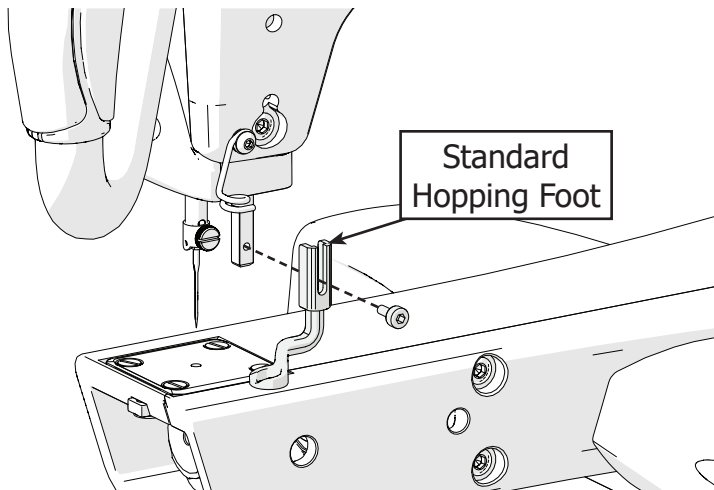
- 3 Hold the needle in place, and loosely attach the **M3 x 4 mm thumb screw** that came with the Wonderfoot.



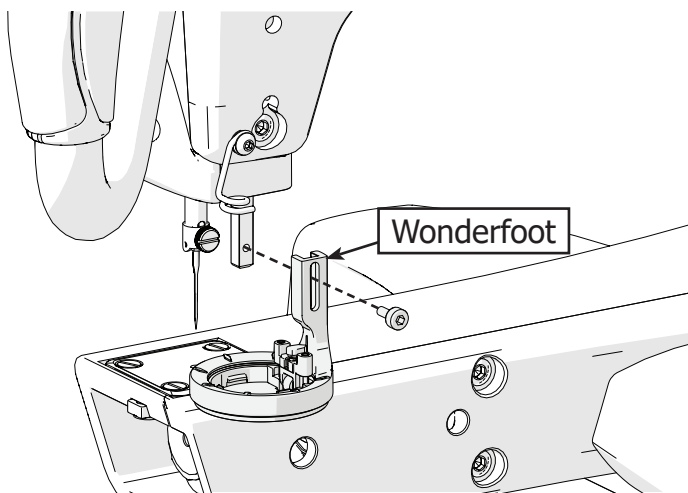
- 4 Use the **needle magnet** that came with your machine to align the needle, and tighten the thumb screw.



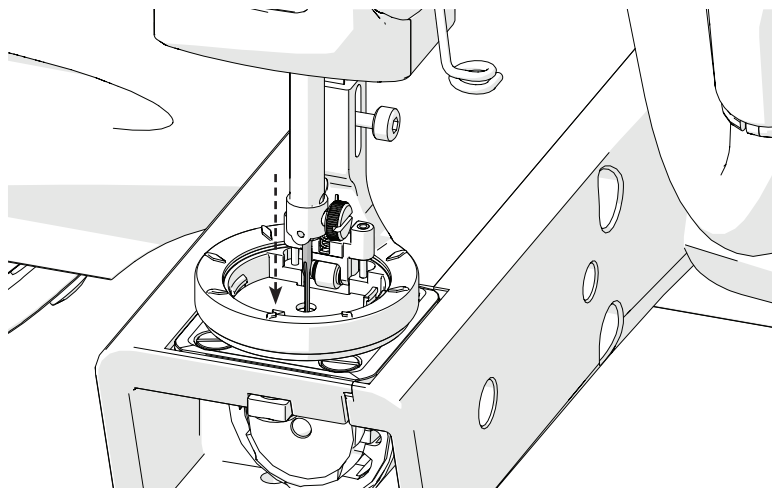
- 5 Remove the **standard hopping foot** with the 3 mm Allen wrench.



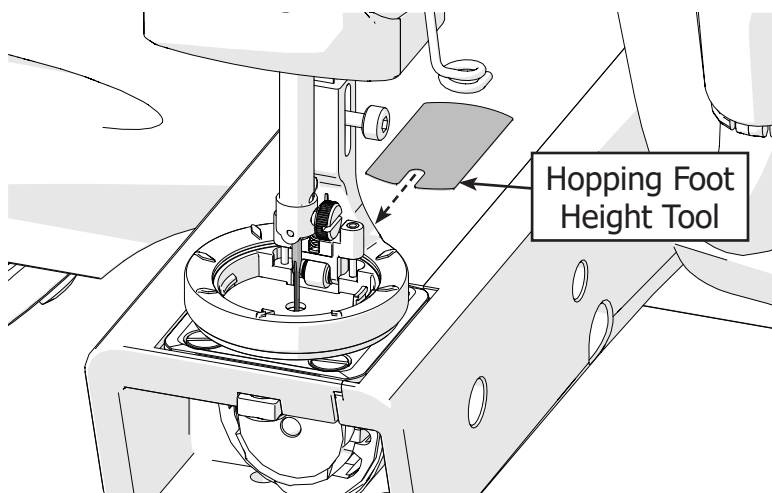
- 6 Loosely install the **Wonderfoot**.



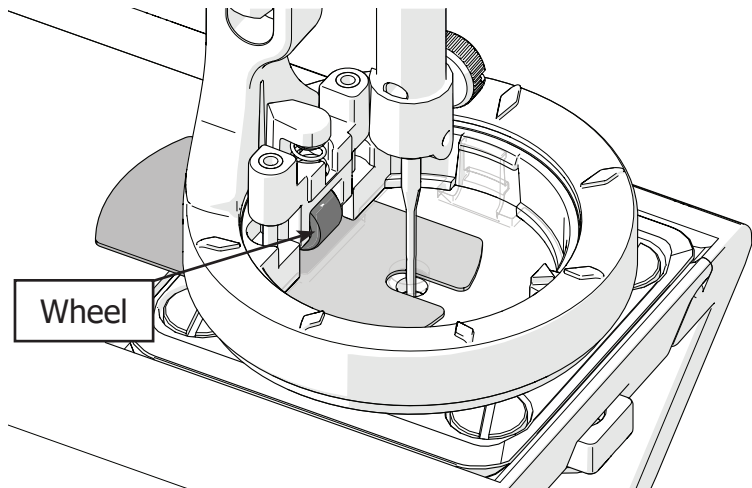
- 7 Slowly lower the needle.



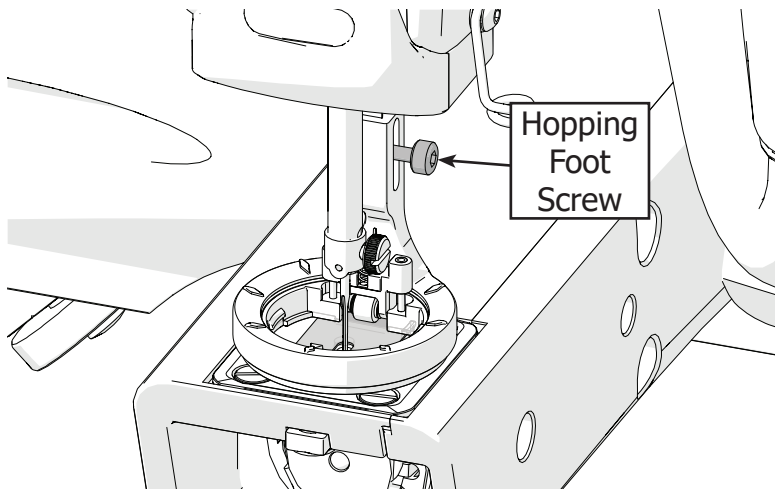
- 8 Slide the **height tool** under the foot.



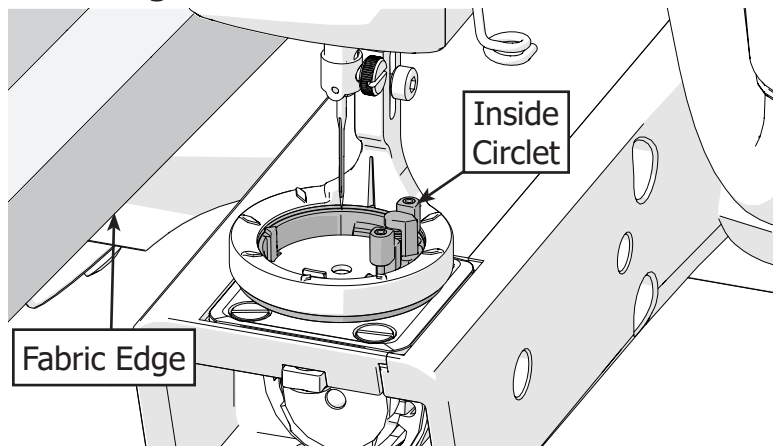
- 9 Make sure the height tool is underneath the **Wonderfoot wheel**.



- 10 Tighten the **hopping foot screw** with the 3 mm Allen wrench.



- 11 When moving your machine onto the fabric, slide the **inside circlet** of the hopping foot away from the **fabric edge**.



- 12 Practice with the provided templates! Templates can also be printed off www.graceframe.com on the Wonderfoot page.

The Grace Company
Phone: 1-800-264-0644
www.graceframe.com

