

**QUILT
PERFECT**
RULER FEET KIT

Q'nique21

Compatible with entire
Q'nique 21 series

INSTRUCTIONS

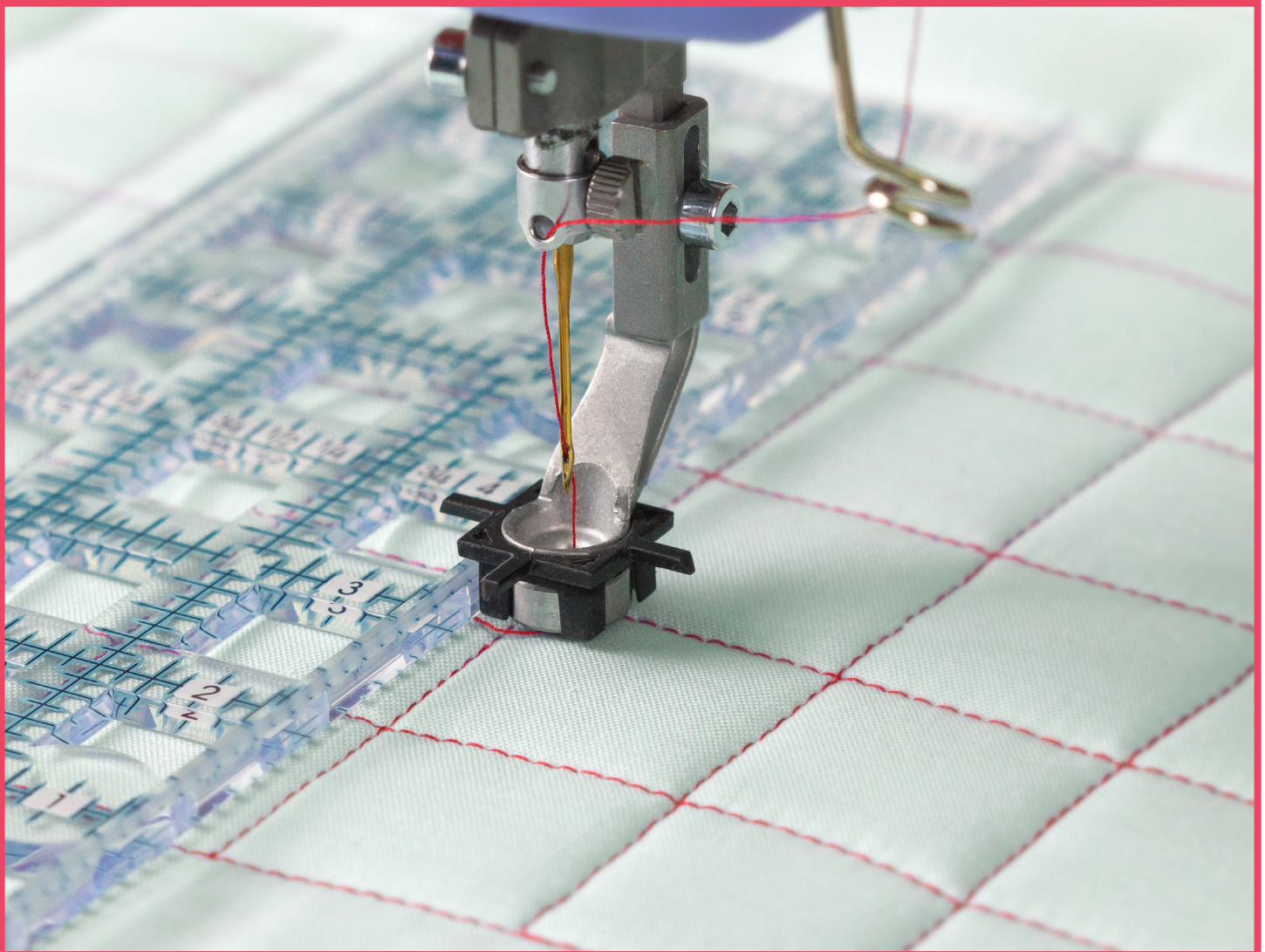
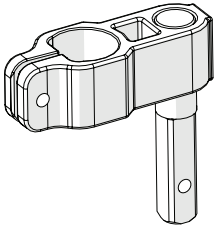


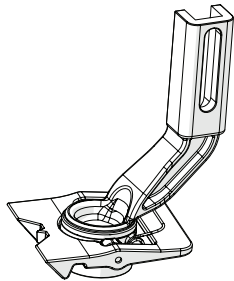
Table of Contents:

Parts List	3
Collar Installation Instructions	4
Foot Installation Instructions	5
Usage Instructions	
Ruler	6
True Track Foot	6
Precision Foot	7
Roller Foot	7

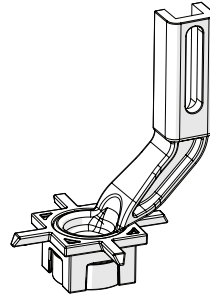
Parts List:



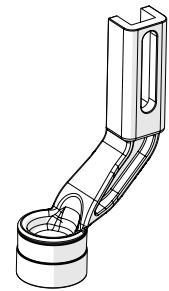
**Hopping Foot
Collar Assembly**
SMP-04-14669



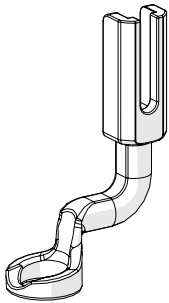
TrueTrack Foot
ACC-09-15257



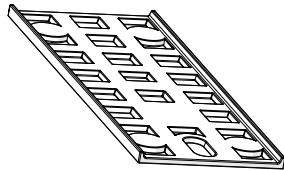
Precision Foot
ACC-09-15258



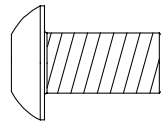
Rolling Foot
ACC-09-15255



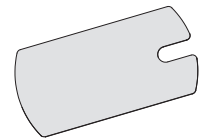
**Standard Hopping
Foot**
SMP-04-10057



Ruler 3x8 inch
ACC-05-15299



**SBHCS
M3 x 8 mm (x2)**
HDW-03-10966



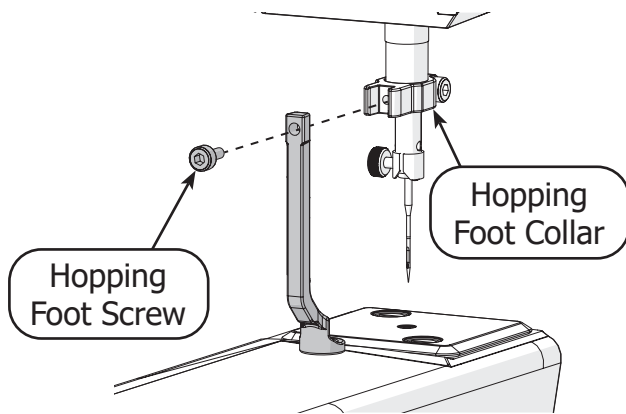
**Hopping Foot
Height Tool**
SMP-04-12171

Tools Needed: 3 mm Allen Wrench (not included)

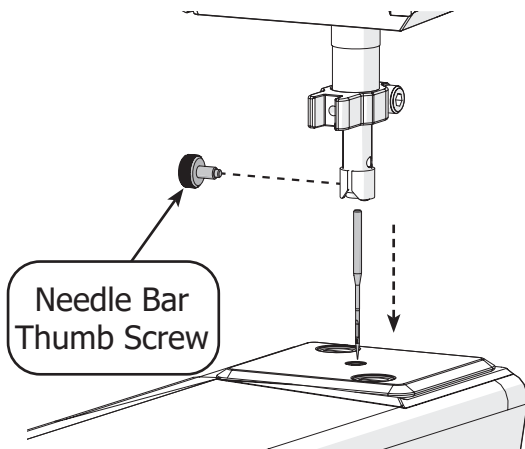
Collar Installation Instructions:

These instructions will go over installing the new hopping foot collar assembly. After following these instructions, or if your machine already has the new hopping collar, continue to the "Foot Installation Instructions" on the next page.

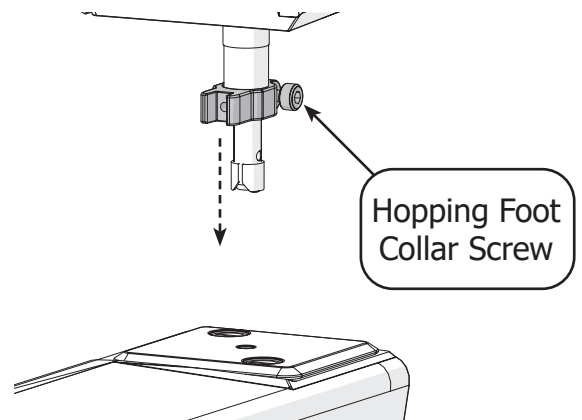
- 1 Use a 3 mm Allen wrench to remove the **screw** attaching the hopping foot to the **hopping foot collar** on your machine.



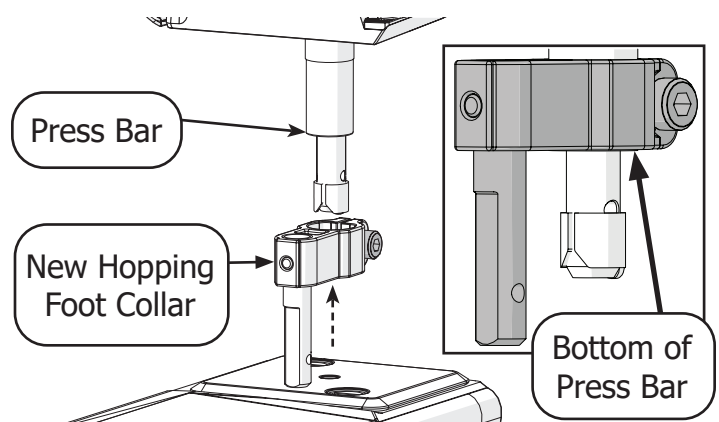
- 2 Remove the **needle bar thumb screw** and carefully pull out the needle.



- 3 With a 3 mm Allen wrench, loosen the **hopping foot collar screw** so that the collar can be pulled off the machine.



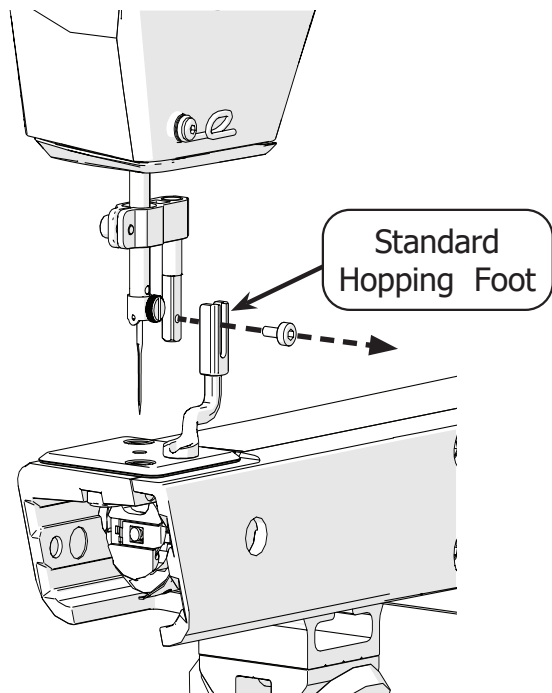
- 4 Slide the **new hopping foot collar** that came with this kit onto the **press bar**. Make sure the bottom of the collar is even with the bottom of the **press bar**. Hold in place with the hopping foot collar screw.



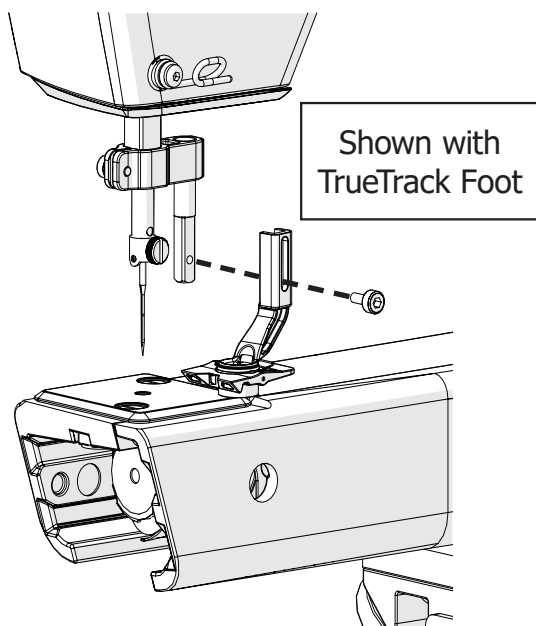
Foot Installation Instructions:

These instructions will go over how to remove the standard foot and how to install the new attachment feet. This process is the same for each of the three feet.

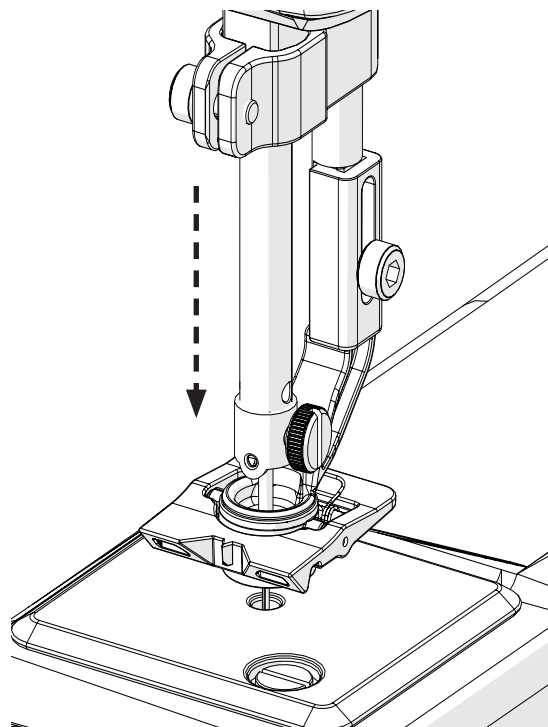
- 1 To remove the **Standard Hopping Foot**, use the 3 mm Allen wrench and take out the M3 x 8 mm SBHCS.



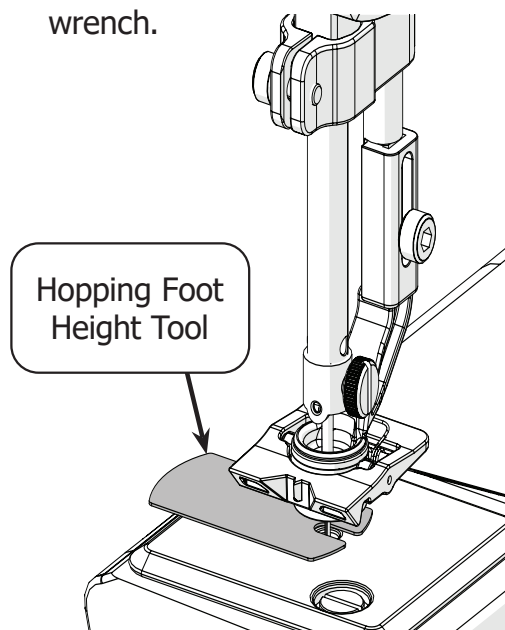
- 2 Select the hopping foot you want to install and use the 3 mm Allen wrench to loosely attach it to the machine with the M3 x 8 mm SBHCS.



- 3 Move the machine off of the fabric and turn the handwheel to lower the needle to the lowest position.



- 4 Slide the **Hopping Foot Height Tool** beneath the foot. Lower the foot until it rests on height tool. Tighten the M3 x 8 mm SBHCS with the 3 mm Allen wrench.



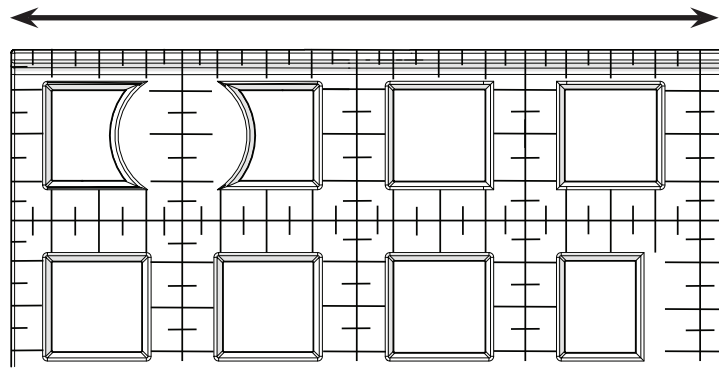
Usage Instructions:

These instructions will go over how to use each accessory foot with the included ruler.

Ruler:

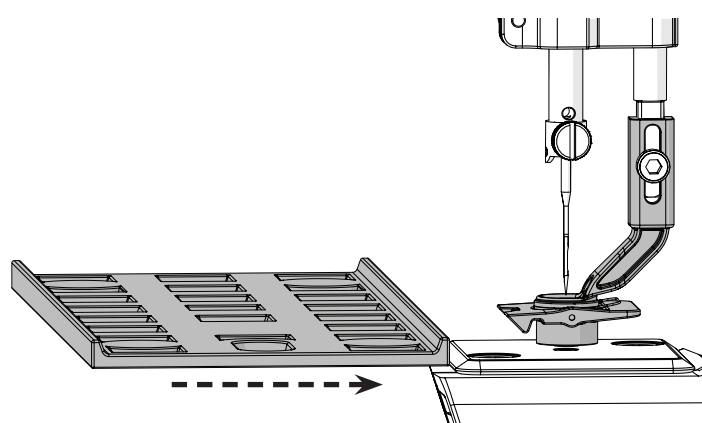
The ruler's straight edge and markings will assist you in stitching straight lines as well as measuring the length of your stitches.

Note: For best results, pair with the accessory ruler base for your machine.

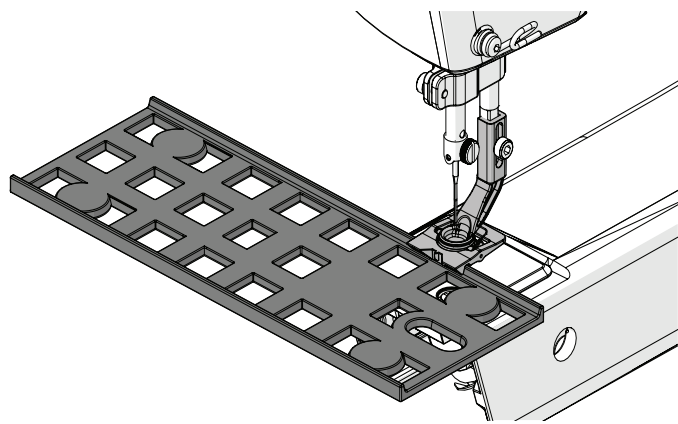


TrueTrack Foot:

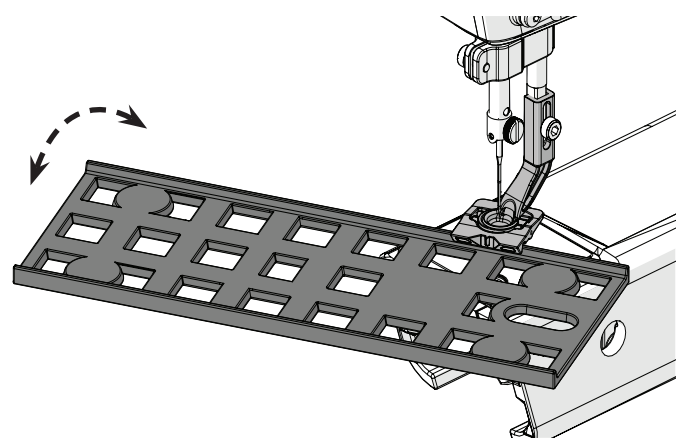
1 Put the lip side of the ruler in front of the hopping foot. Press together until the ruler clips into place. The clip will keep the ruler attached.



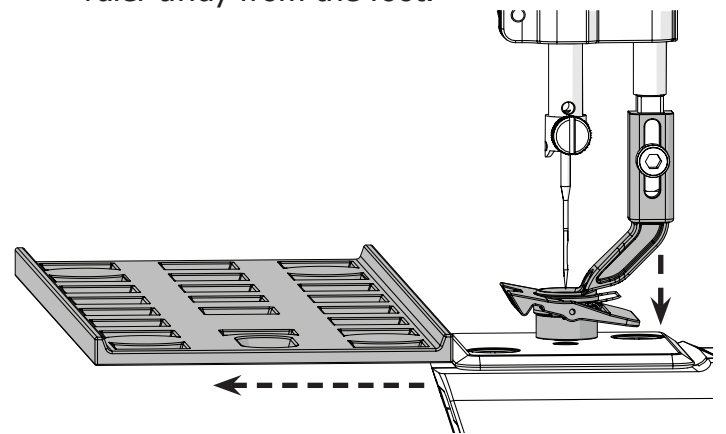
2 Use the ruler's edge and markings to stitch straight lines and to measure stitch length.



3 The foot's swivel system allows you to turn the ruler to measure stitches in any direction.

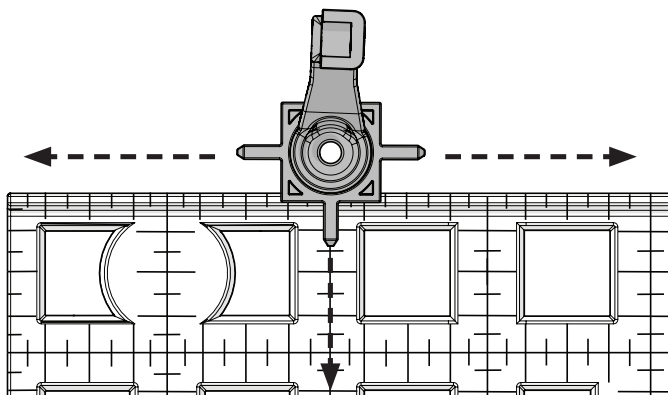


4 To release the ruler, press down on the back of the clip behind the foot and pull the ruler away from the foot.

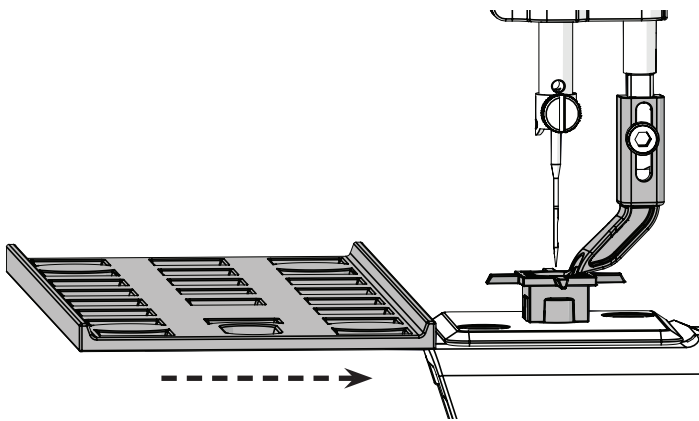


Precision Foot:

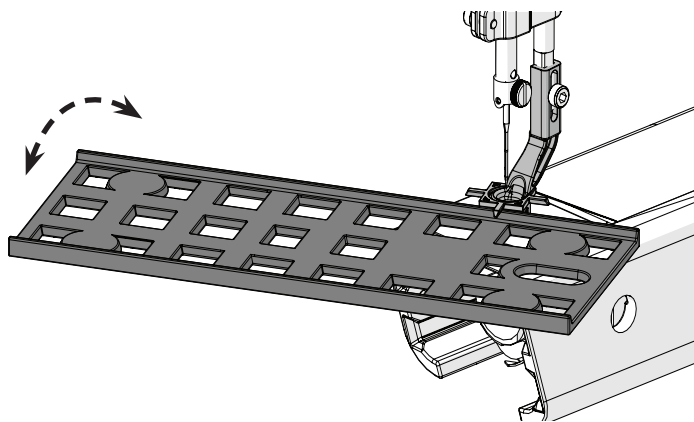
Use the Precision Foot's pointers to align your stitches with the markings on the ruler.



- 1 Press the lip side of the ruler to the front of the hopping foot. The ruler should align with the pointers on the hopping foot at right angles.



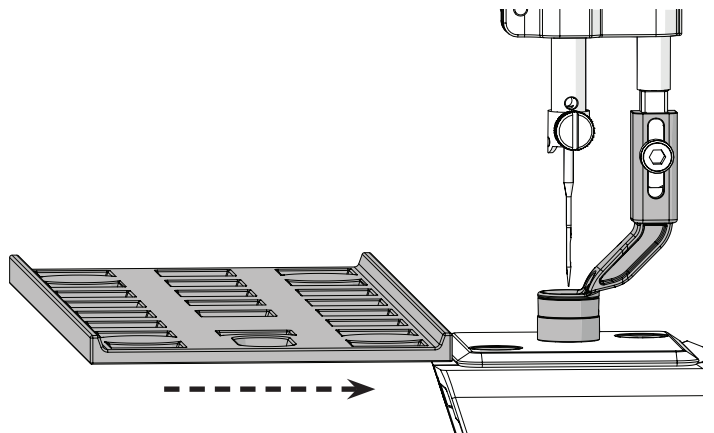
- 2 Hold the ruler against the foot to stitch straight lines and to measure stitch length. The swivel system allows you to turn the ruler to measure stitches in any direction.



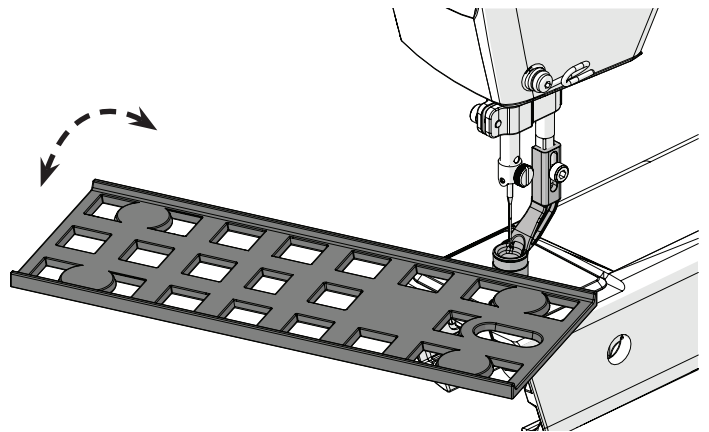
Rolling Foot:

Use this foot to easily glide the ruler's edge alongside the foot.

- 1 Press the lip side of the ruler to the front of the hopping foot.



- 2 Hold the ruler against the foot to stitch straight lines and to measure stitch length. The swivel system allows you to slide the ruler along the foot and measure stitches in any direction.



The Grace Company
Phone: 1-800-264-0644
www.graceframes.com

