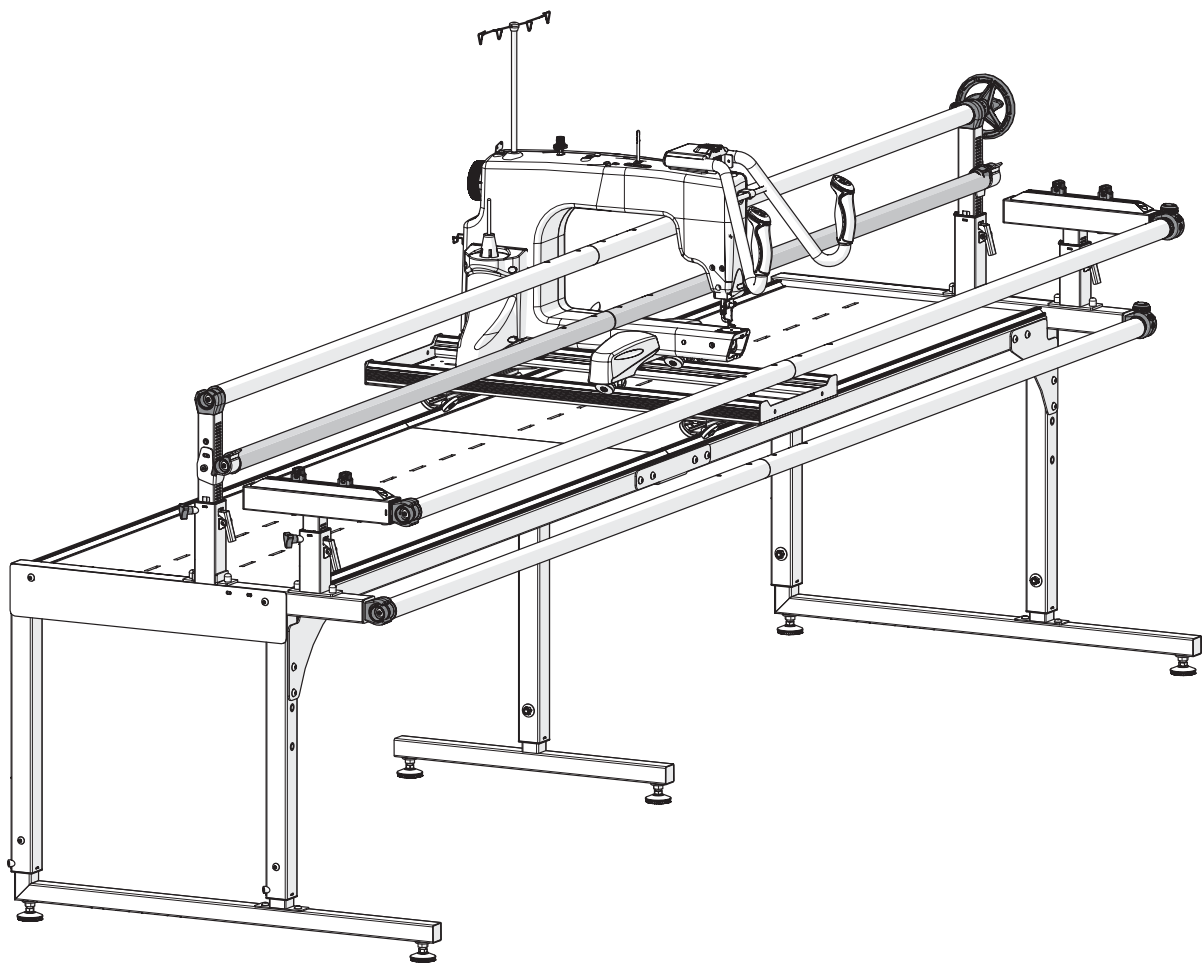


# *Continuum II*

## **Accessory Idler Rail Assembly & Use**



Copyright August 31, 2020  
Grace Company  
(Reproduction Prohibited)  
Version 1.0

*MADE BY*  
**Grace**

# Contents

Idler Rail Configurations.....2

Included Parts & Tools.....3

8 Foot Frame .....4

10 Foot Frame .....9

12 Foot Frame .....15

4 Foot .....21

4 Foot .....21

5 Foot .....25

Setting the Rail Height.....29

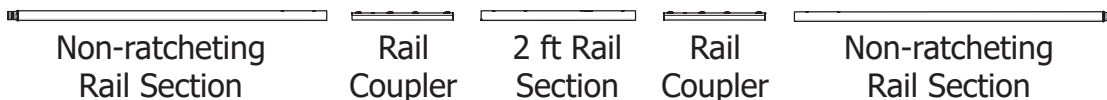
Installing the Fabric.....30

## Idler Rail Configurations

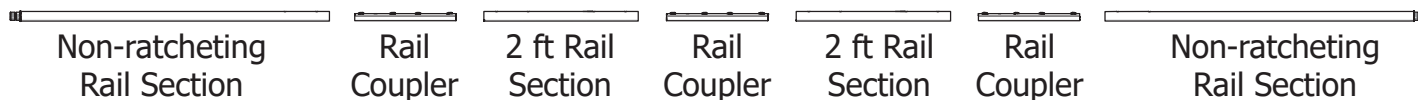
### 8 Foot



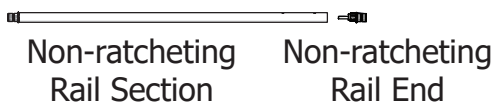
### 10 Foot



### 12 Foot



### 4 Foot



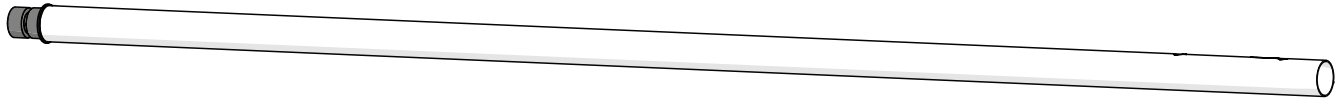
### 5 Foot



# Included Parts & Tools

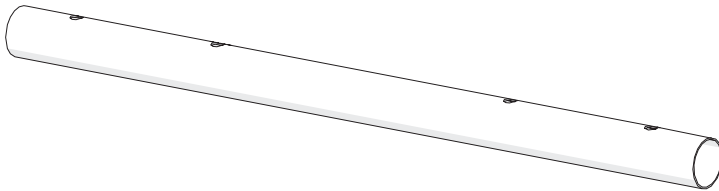
Please make sure all pieces are included in your kit.

## Non-Ratcheting Rail Section 4 ft (x2)



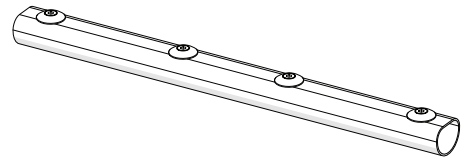
CII-09-14638

## 2 ft Rail Section (x2)



MET-04-11397

## Rail Coupler (x3)



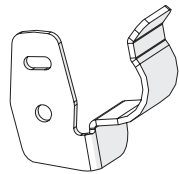
CNT-08-11865

## Allen Wrench 4 mm



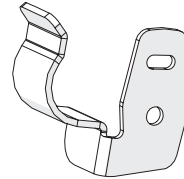
HDW-03-10167

## Left Idler Rail Mount



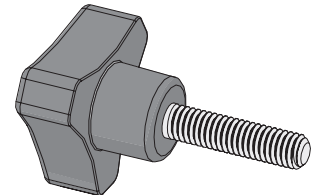
CII-04-14510

## Right Idler Rail Mount



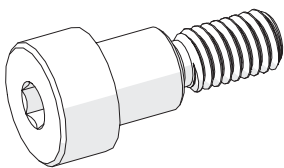
CII-04-14601

## 3-Armed Knob (x2)



HDW-03-14608

## Shoulder Bolt M6 (x2)

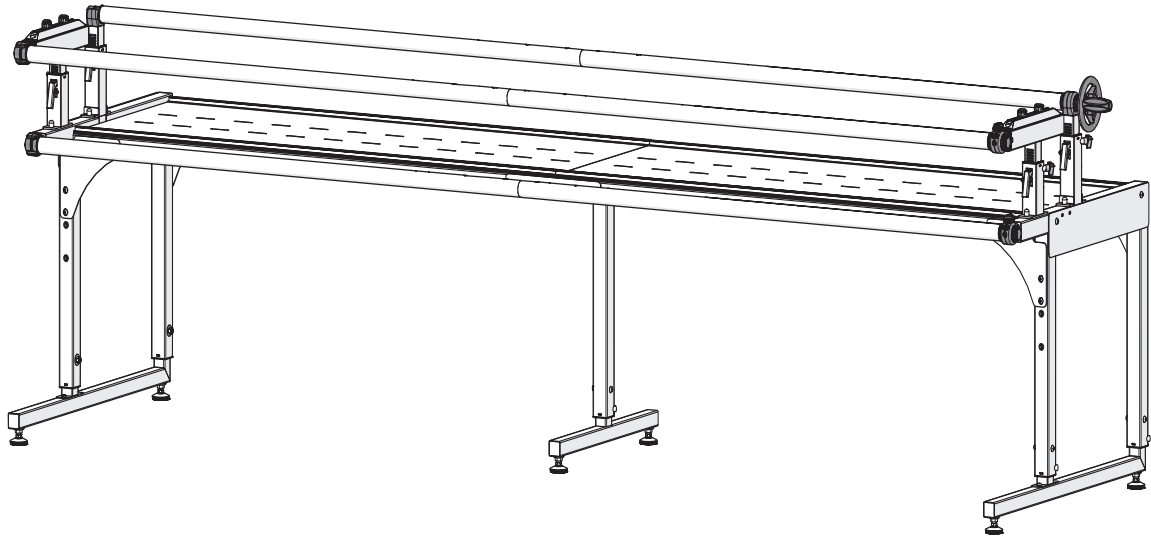


HDW-03-14873

## Why does my Accessory Idler Rail come with so many pieces?

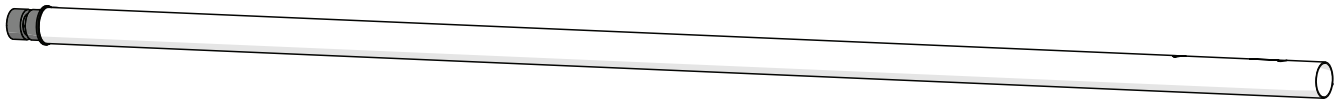
To accommodate the three available sizes of Continuum 2 frame (8 foot, 10 foot, and 12 foot), the Continuum 2 Idler Rail kit you've purchased may include more parts than your frame requires. Do not discard the extra parts; you may need them if you choose to upgrade your frame in the future.

# 8 Foot Frame

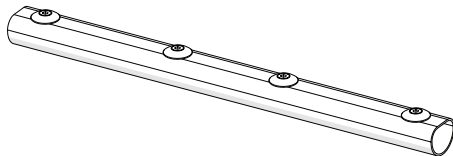


## Parts & Tools Needed:

**Non-ratcheting rail Section 4 ft (x2)**



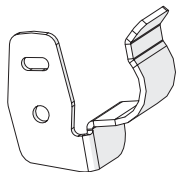
**Rail Coupler**



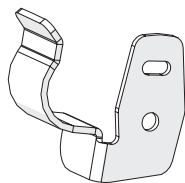
**Allen Wrench 4 mm**



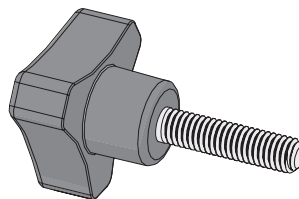
**Left Idler Rail Mount**



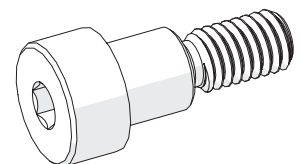
**Right Idler Rail Mount**



**3-Armed Knob (x2)**



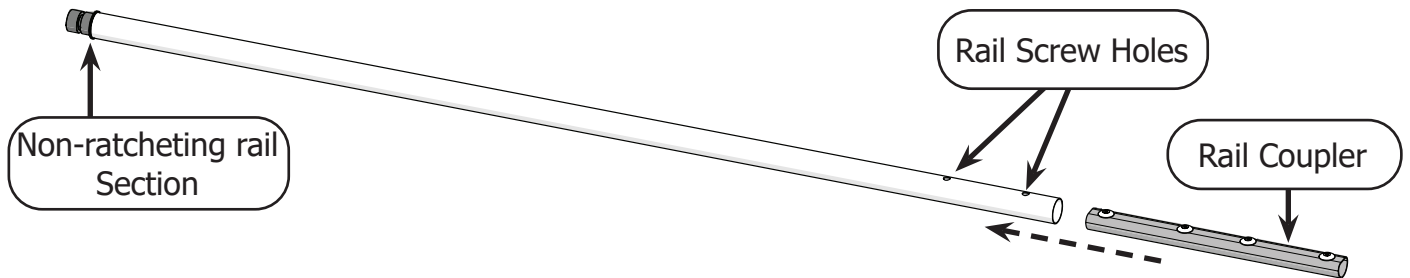
**Shoulder Bolt M6 (x2)**



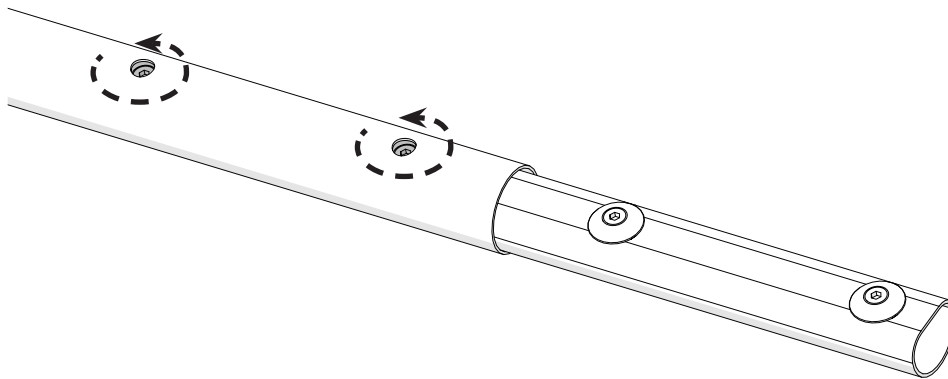
## Instructions

To assemble and install the idler rail on the 8 foot frame, take the following steps:

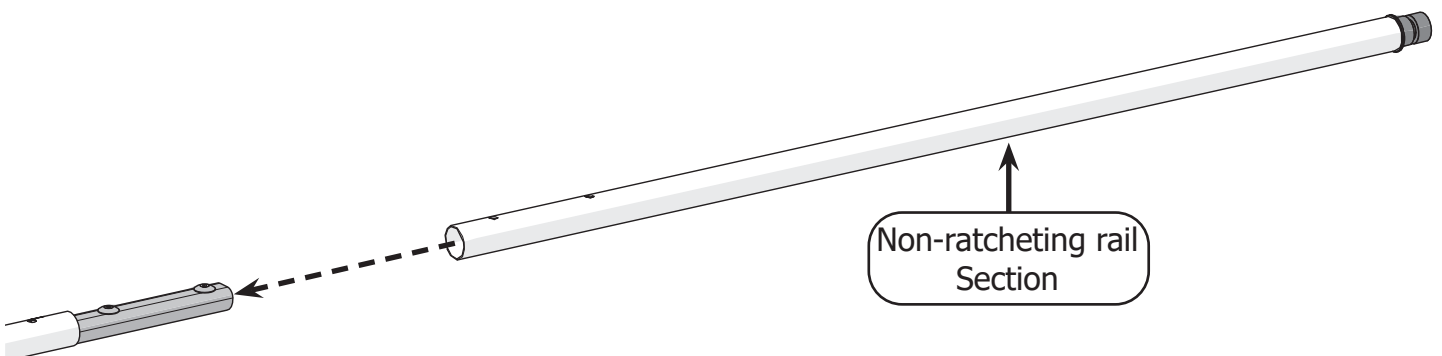
- 1 Slide a **rail coupler** into one of the **non-ratcheting rail sections**. Line up the screws on the coupler with the **holes** on the rail.



- 2 Use a 4 mm Allen wrench to turn the screws inside the rail counter-clockwise until they press firmly against the rail.

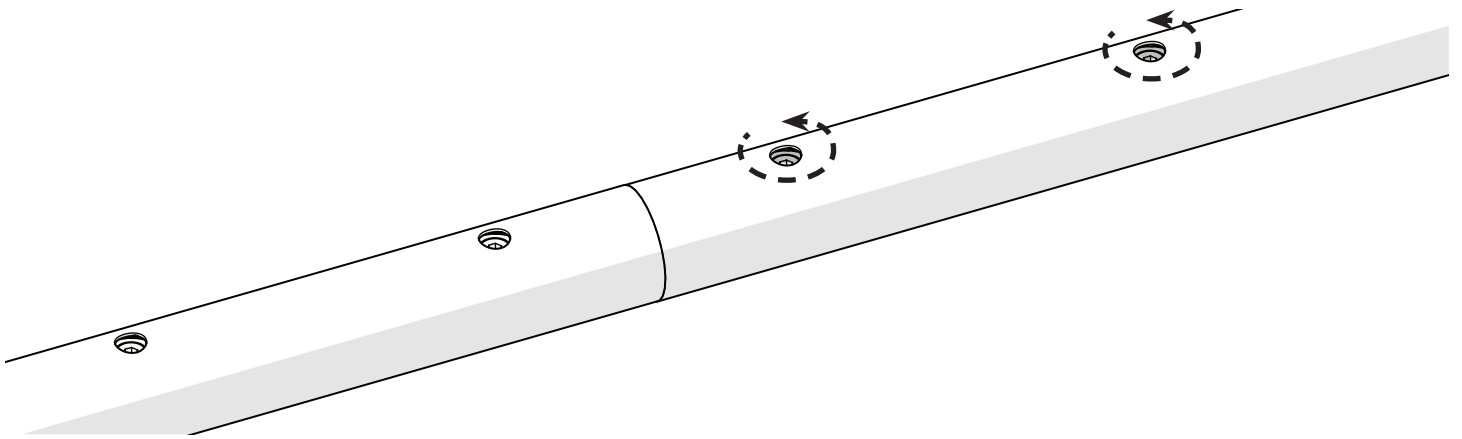


- 3 Slide the remaining **non-ratcheting rail section** onto the other side of the rail coupler.

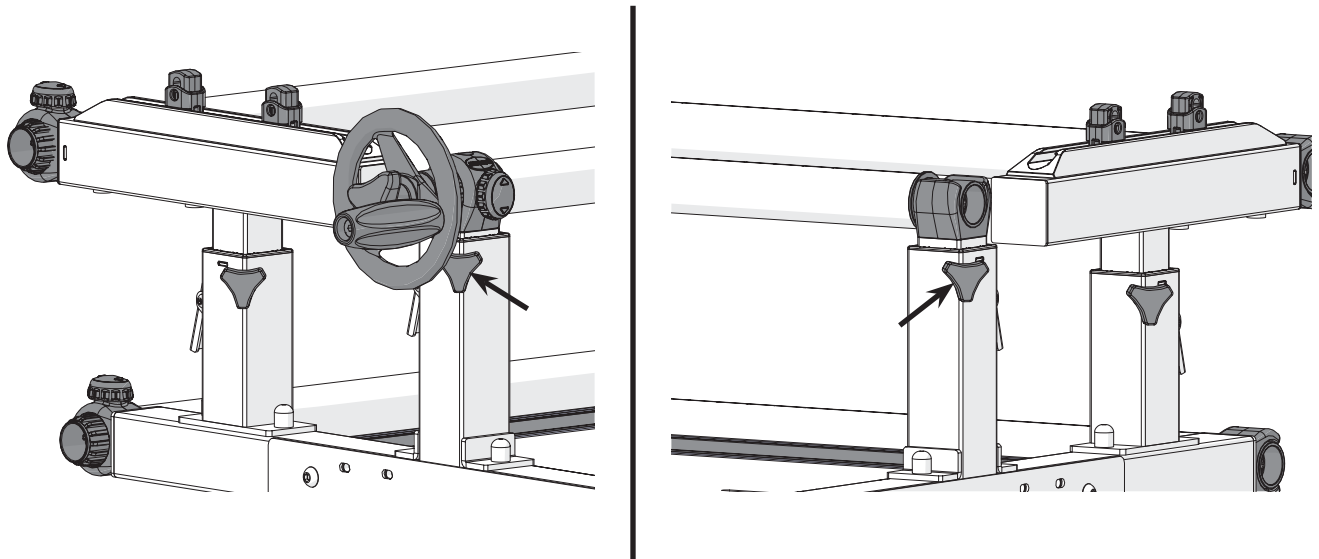


## Idler Rail - 8 Foot Frame

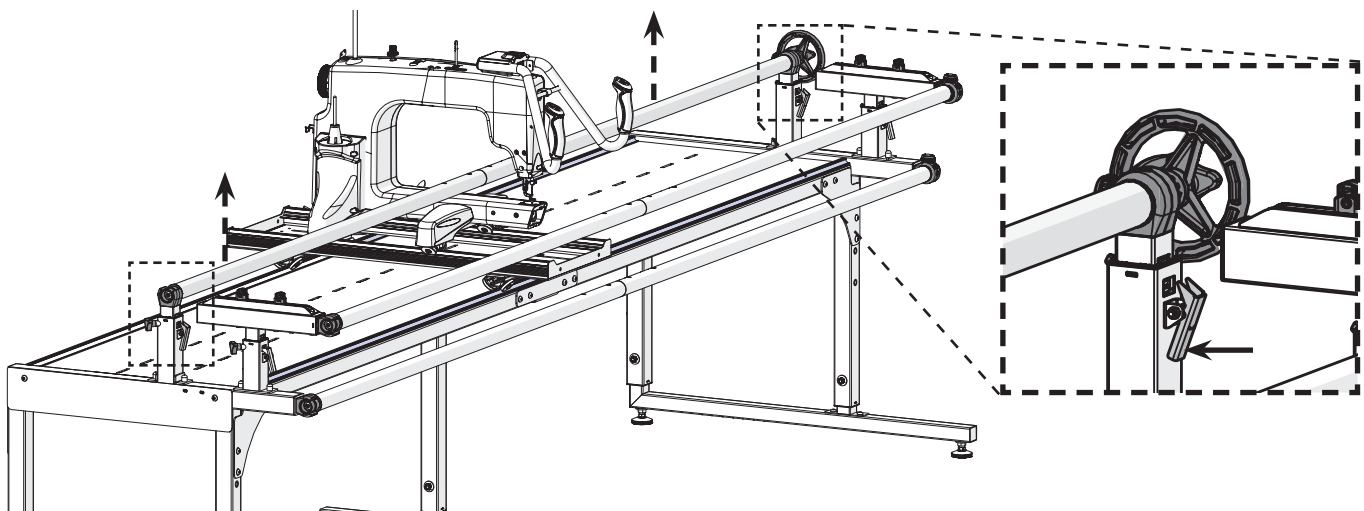
- 4 Align the holes with the coupler screws and turn the screws counter-clockwise with the 4 mm Allen wrench until they press firmly against the inside of the rail.



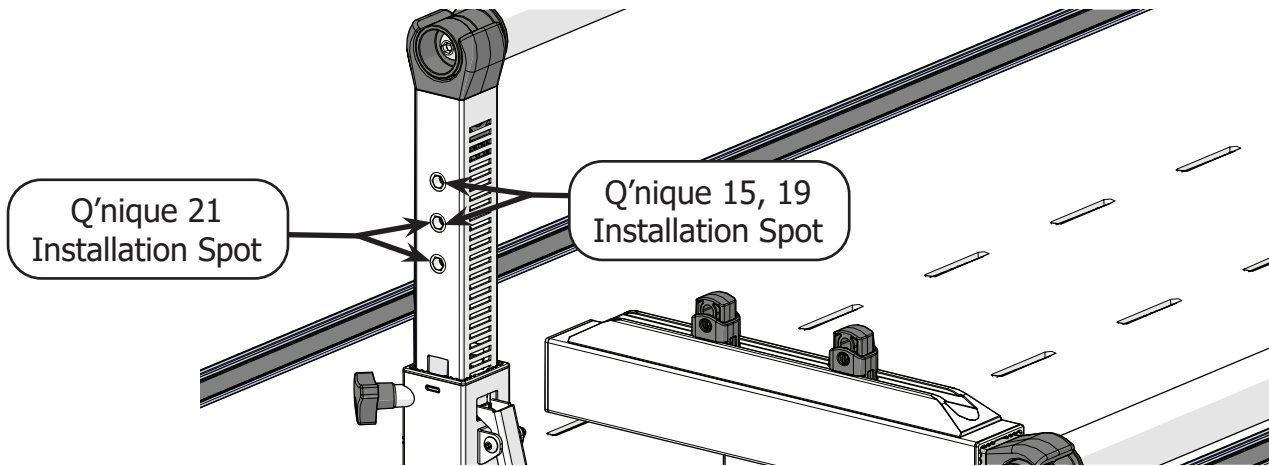
- 5 Loosen the 3-armed knobs on the take up rail arms on both sides of the frame.



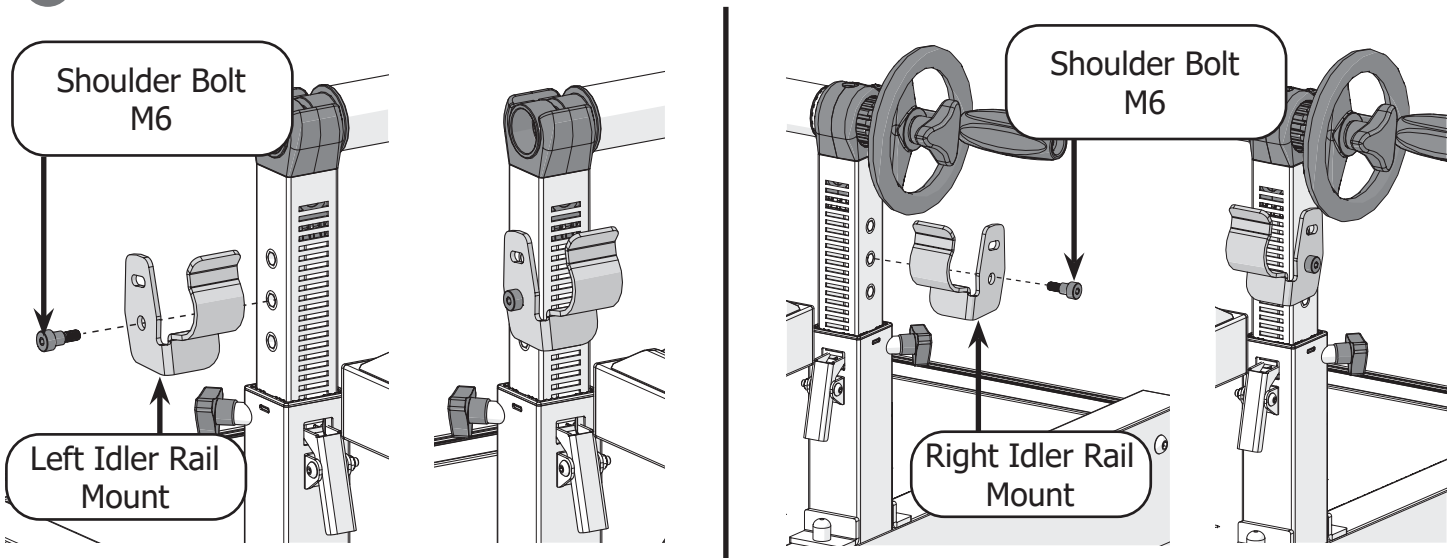
- 6 Press in the levers on each of the take-up rail arms, then fully raise the take-up rail.



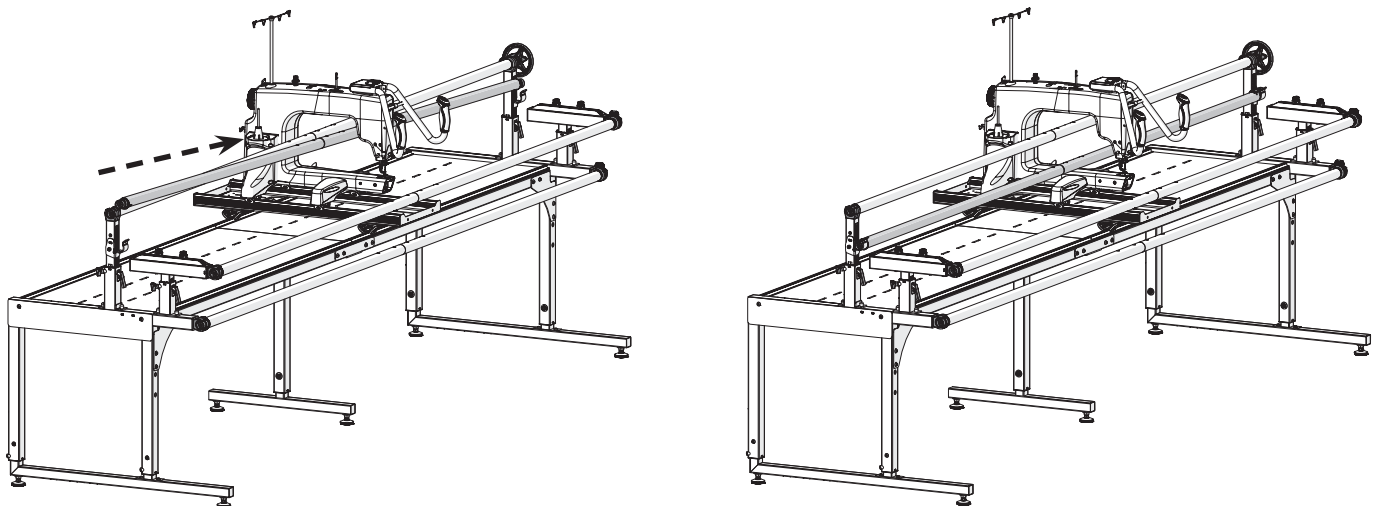
- 7 The mount holding the idler rail is installed on two of the 3 holes on the take-up rail arm. Choose whether to install the mount on the top two or bottom two holes by considering the size of your machine.



- 8 Use the **shoulder bolt** and 4 mm Allen wrench to screw the **idler rail mounts** to each arm.

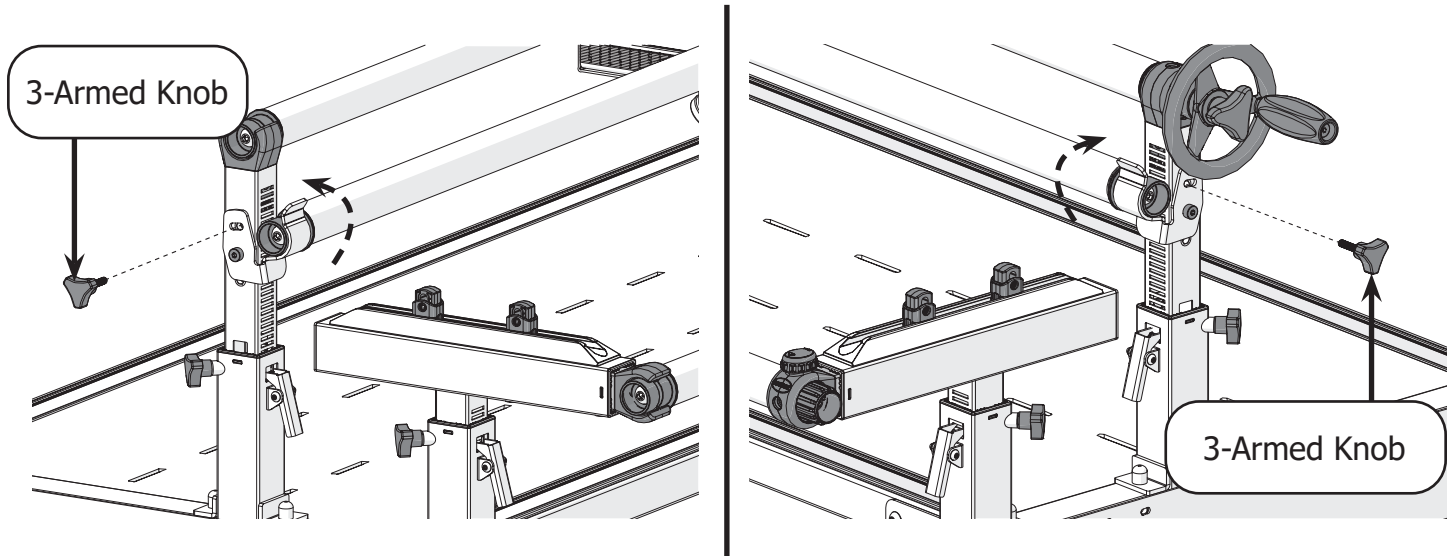


- 9 Pass the idler rail through the throat of the machine and place each end into the mounts.



## Idler Rail - 8 Foot Frame

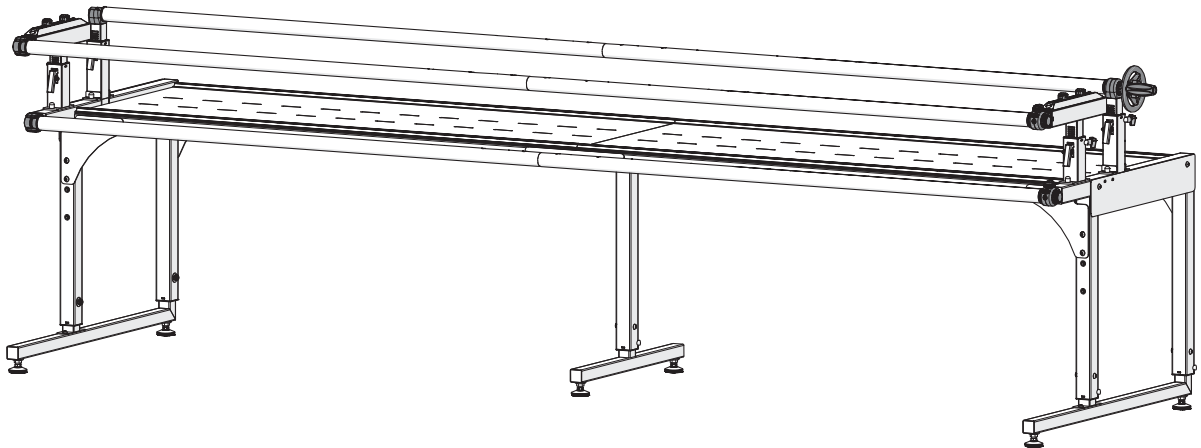
- 10 Push in on the mount and install the **3-armed knob**. To remove the frame in the future, simply loosen the **3-armed knob** and lift the rail out of the mounts.



Set the rail height. For instructions, see page 29.



# 10 Foot Frame

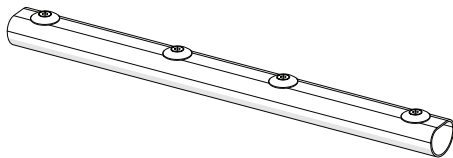


## Parts & Tools Needed:

**Non-ratcheting rail Section 4 ft (x2)**



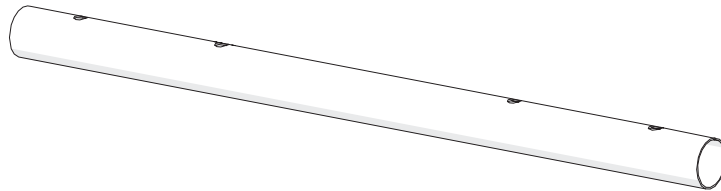
**Rail Coupler (x2)**



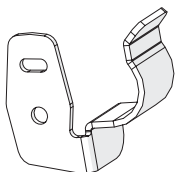
**Allen Wrench 4 mm**



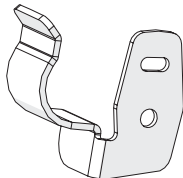
**2 ft Rail Section**



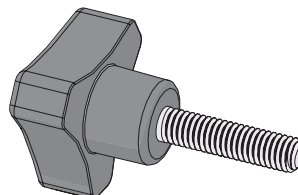
**Left Idler Rail Mount**



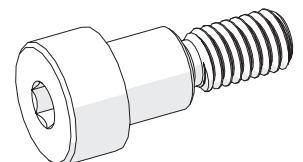
**Right Idler Rail Mount**



**3-Armed Knob (x2)**



**Shoulder Bolt M6 (x2)**

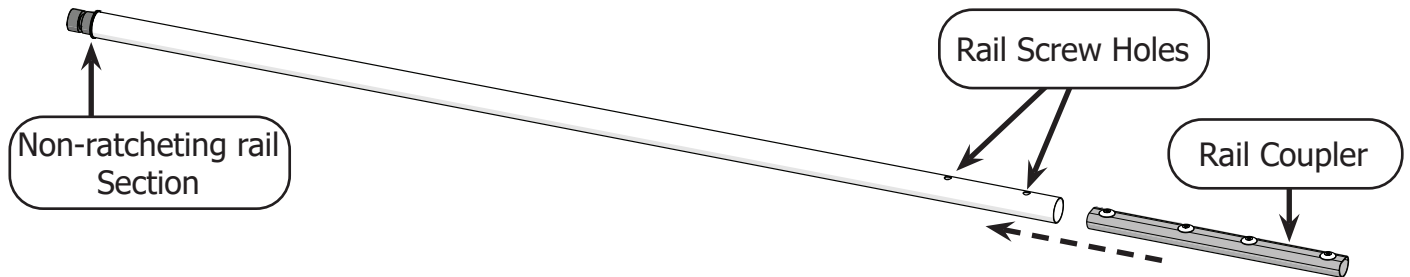


## Idler Rail - 10 Foot Frame

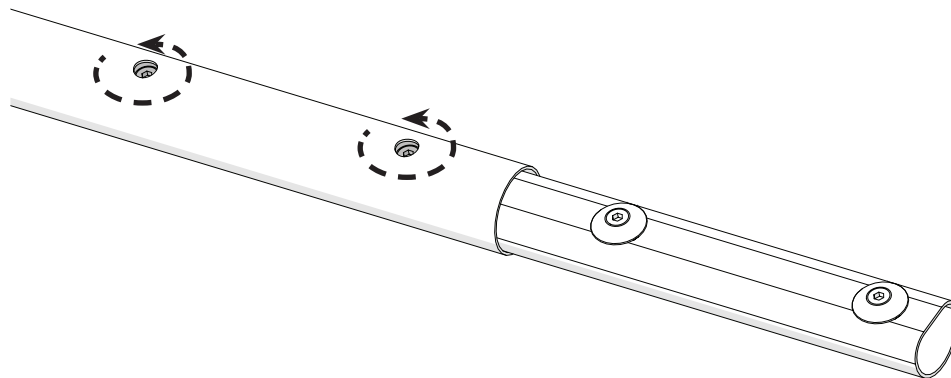
### Instructions

To assemble and install the idler rail on the 10 foot frame, take the following steps:

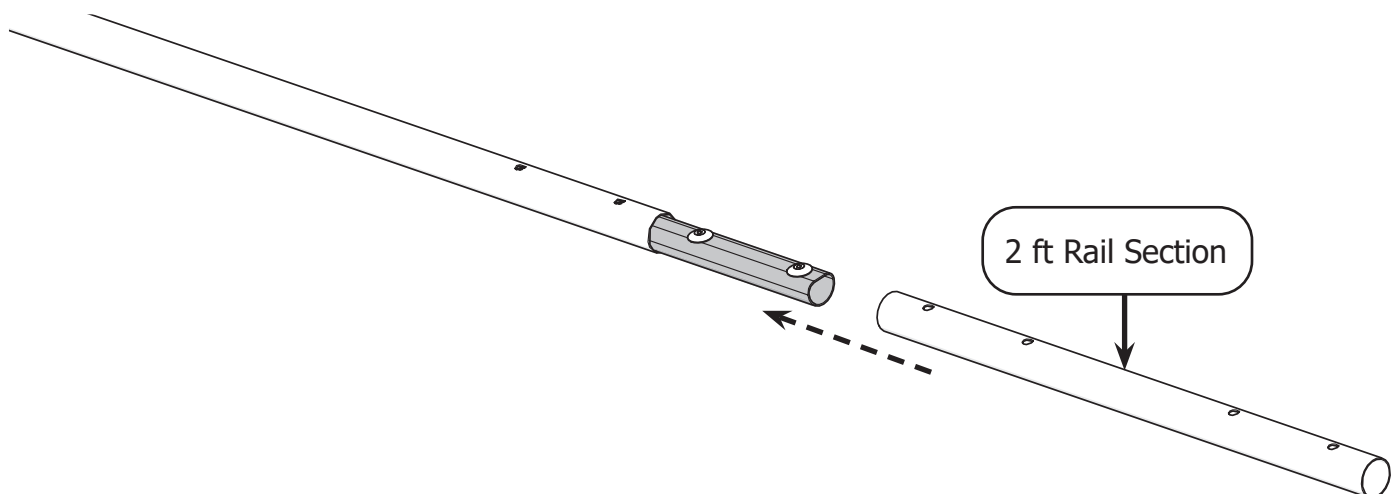
- 1 Slide a **rail coupler** into one of the **non-ratcheting rail sections**. Line up the screws on the coupler with the **holes** on the rail.



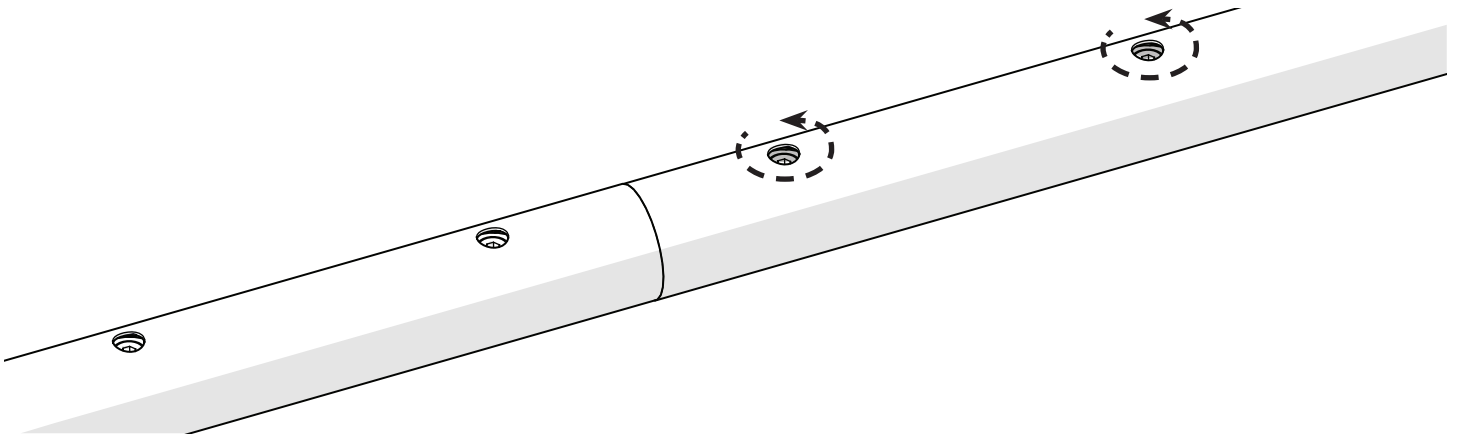
- 2 Use a 4 mm Allen wrench to turn the screws inside the rail counter-clockwise until they press firmly against the rail.



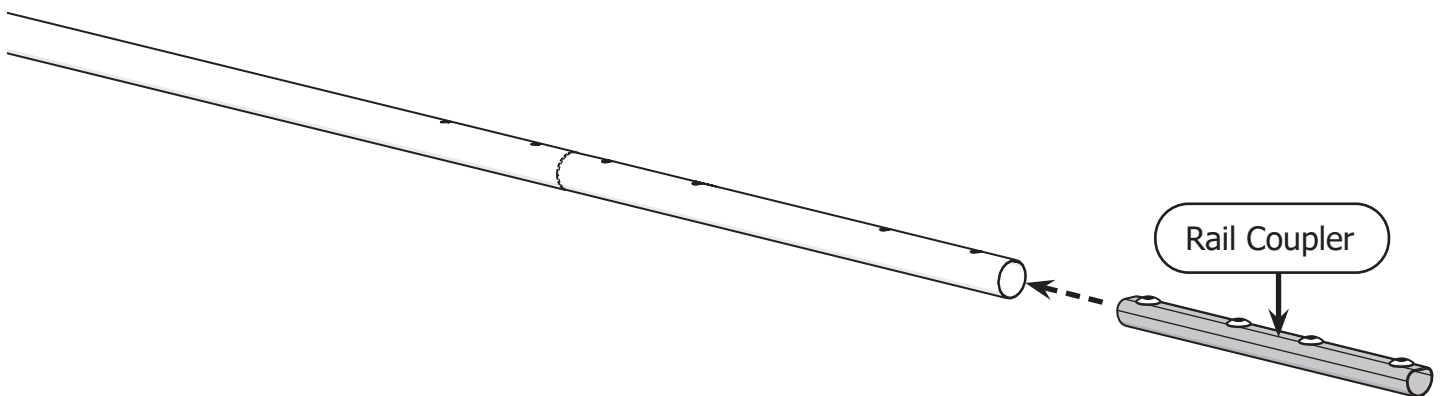
- 3 Slide one of the **2 ft rail sections** onto the other side of the rail coupler.



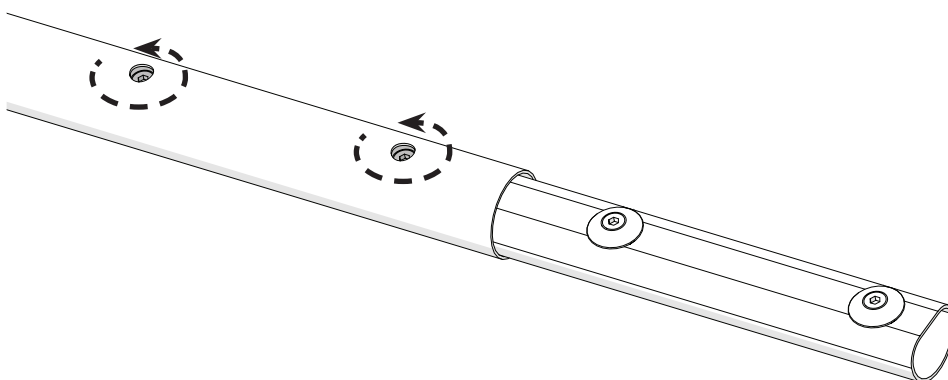
- 4 Align the holes with the coupler screws and turn the screws counter-clockwise with the 4 mm Allen wrench until they press firmly against the inside of the rail.



- 5 Now insert a second coupler into the 2 ft rail section.

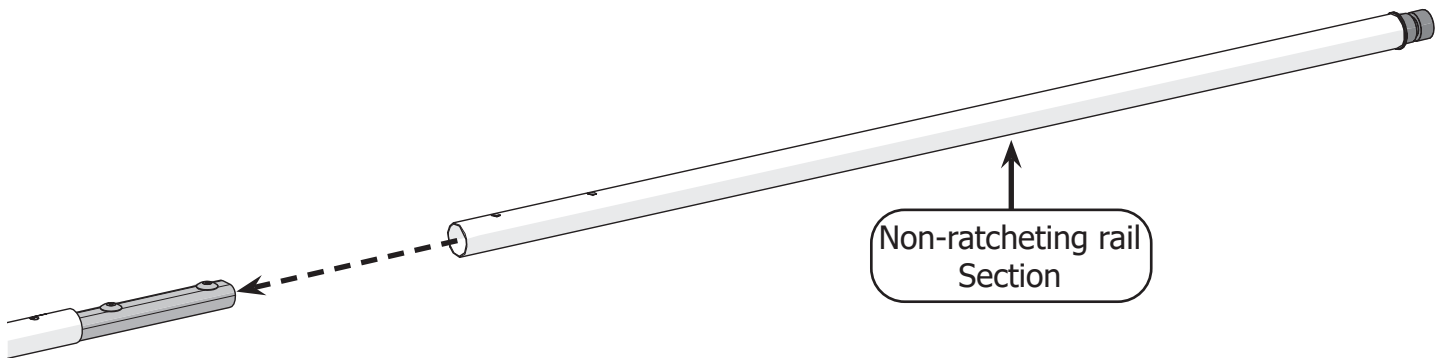


- 6 Once again, turn the screws counter-clockwise with the 4 mm Allen wrench until the rail and coupler are snug.

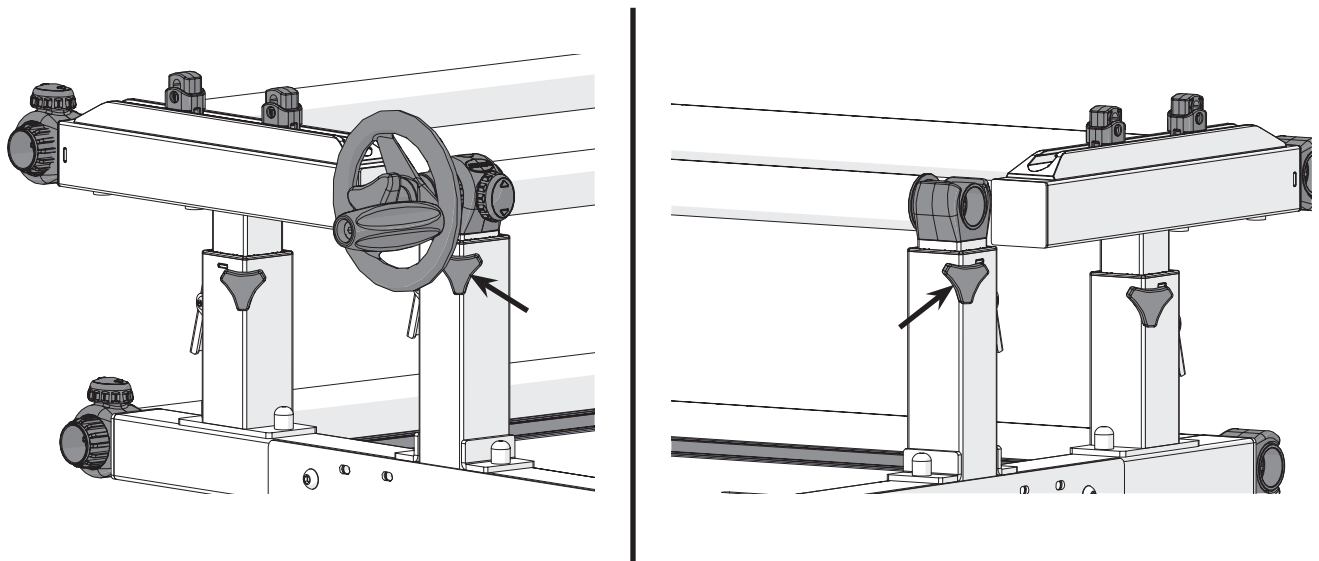


## Idler Rail - 10 Foot Frame

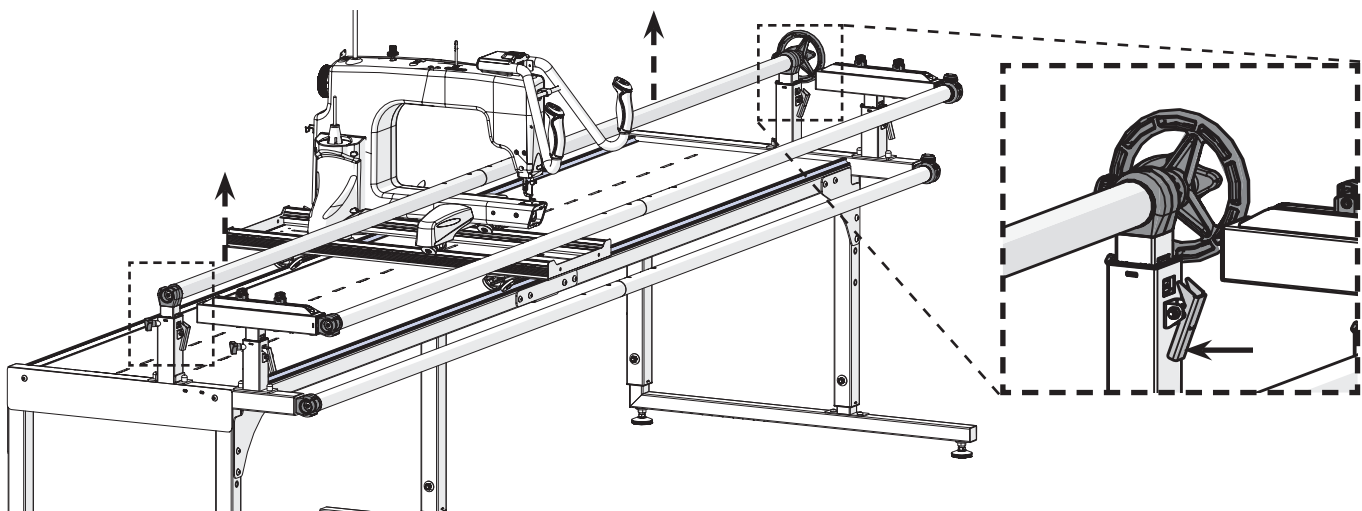
- 7 Install the remaining **non-ratcheting rail section** onto the other side of the rail coupler. Use the 4 mm Allen wrench to turn the coupler screws counter-clockwise.



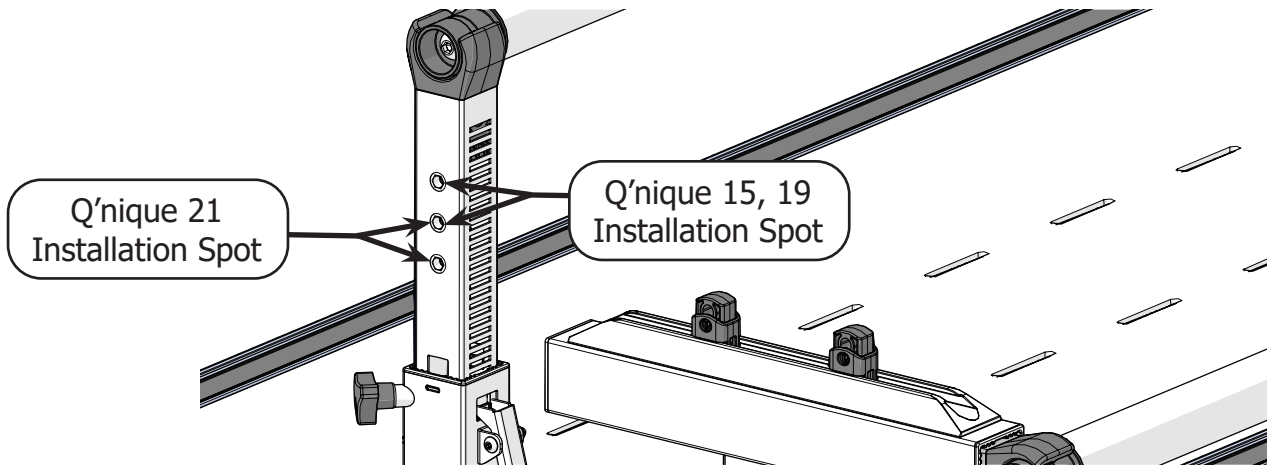
- 8 Loosen the 3-armed knobs on the take up rail arms on both sides of the frame.



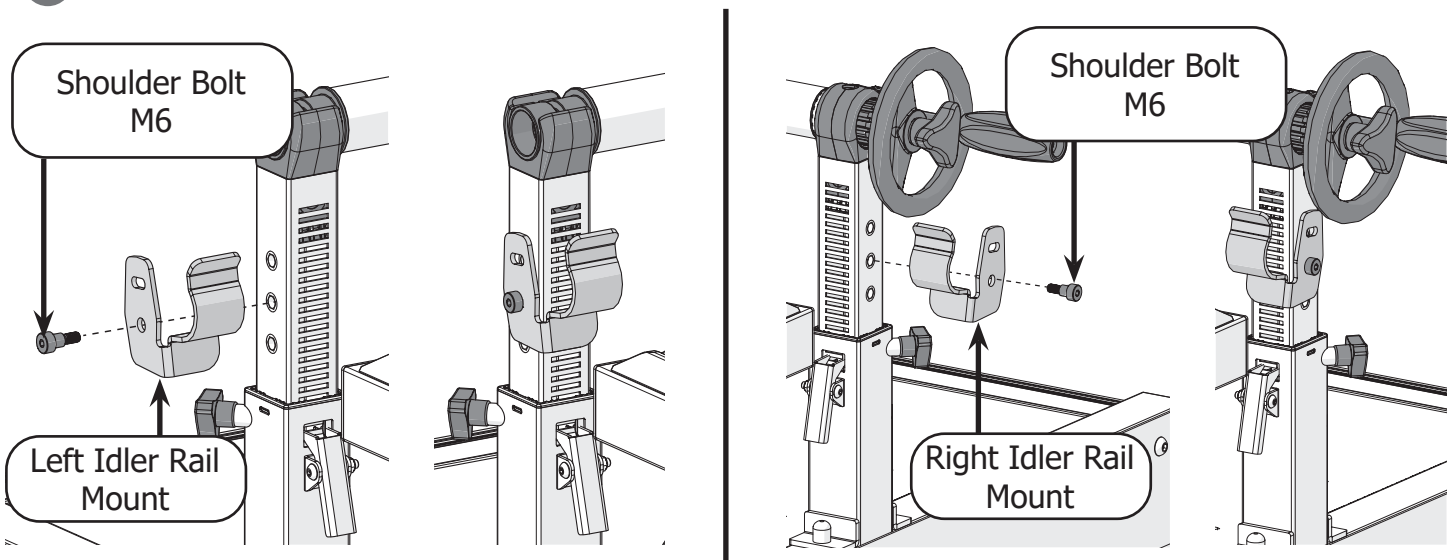
- 9 Press in the levers on each of the take-up rail arms, then fully raise the take-up rail.



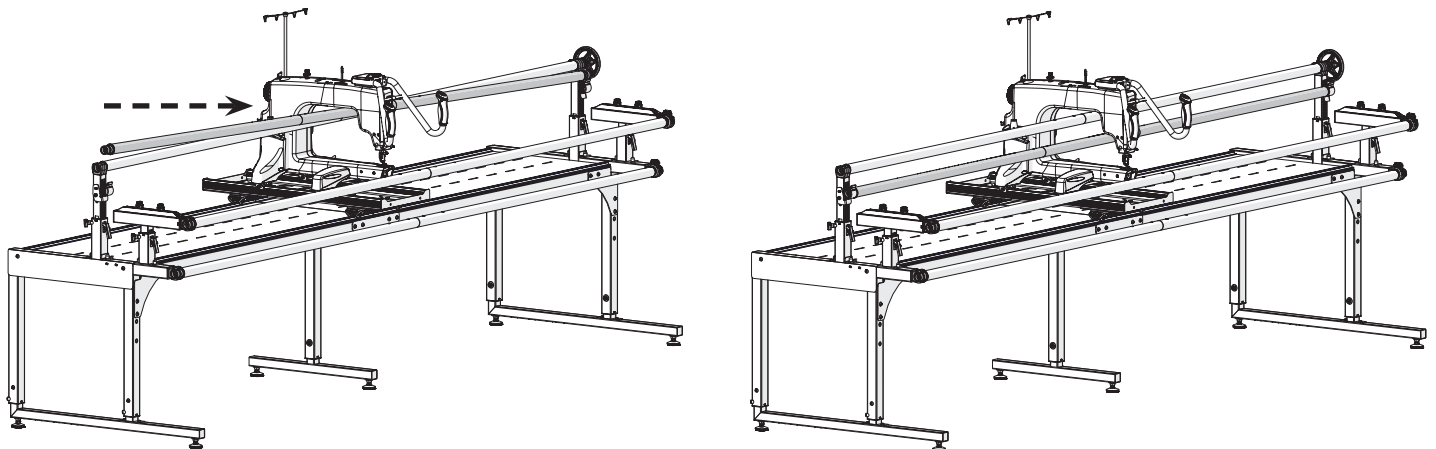
- 10 The mount holding the idler rail is installed on two of the 3 holes on the take-up rail arm. Choose whether to install the mount on the top two or bottom two holes by considering the size of your machine.



- 11 Use the **shoulder bolt** and 4 mm Allen wrench to screw the **idler rail mounts** to each arm.

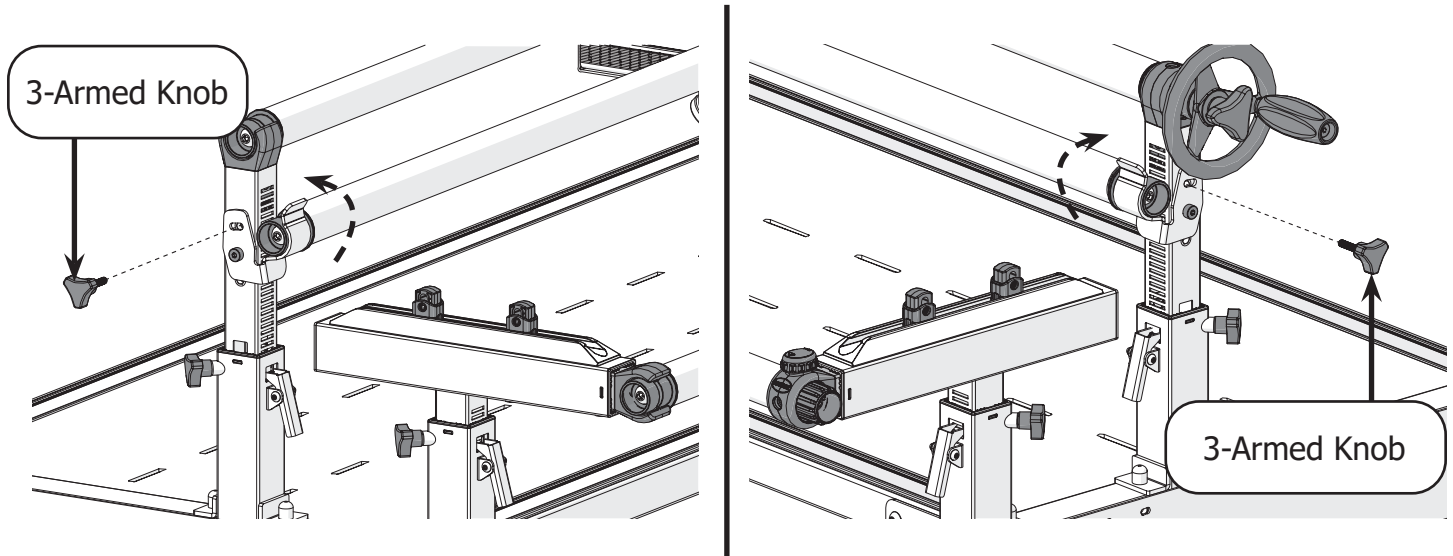


- 12 Pass the idler rail through the throat of the machine and place each end into the mounts.



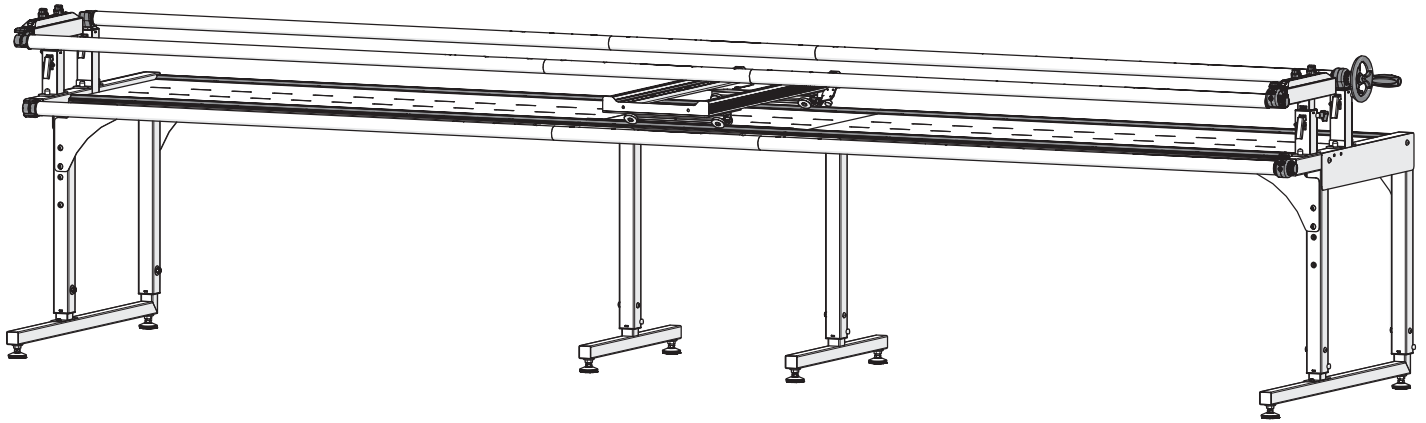
## Idler Rail - 10 Foot Frame

- 13 Push in on the mount and install the **3-armed knob**. To remove the frame in the future, simply loosen the **3-armed knob** and lift the rail out of the mounts.



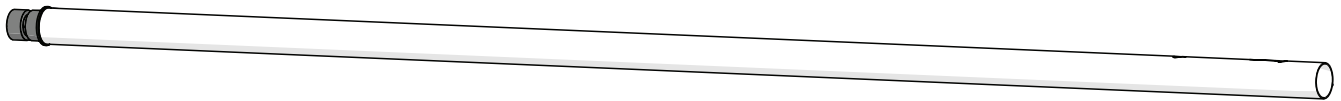
Set the rail height. For instructions, see page 29.

# 12 Foot Frame

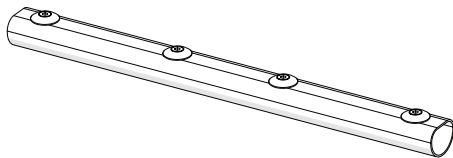


## Parts & Tools Needed:

**Non-ratcheting rail Section 4 ft (x2)**



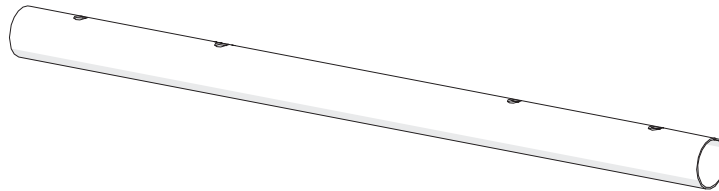
**Rail Coupler (x3)**



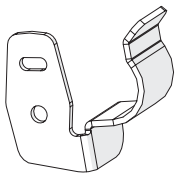
**Allen Wrench 4 mm**



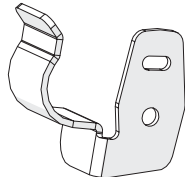
**2 ft Rail Section (x2)**



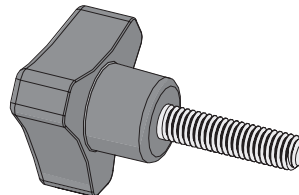
**Left Idler Rail Mount**



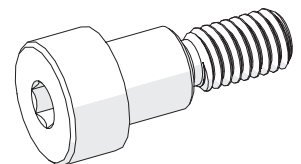
**Right Idler Rail Mount**



**3-Armed Knob (x2)**



**Shoulder Bolt M6 (x2)**

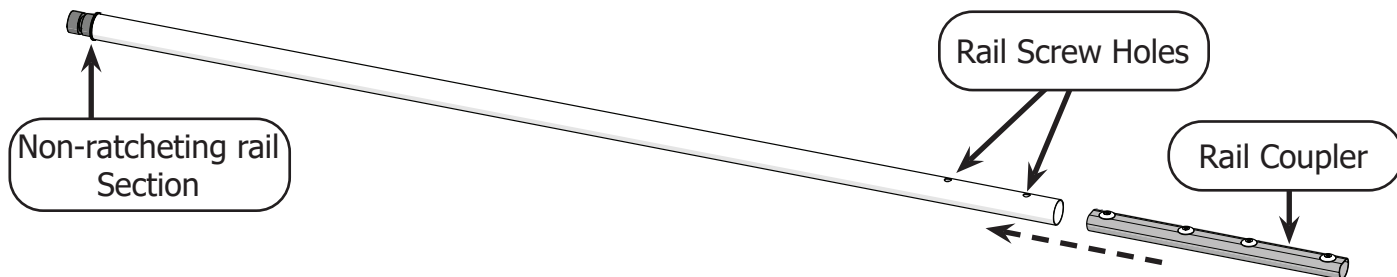


## Idler Rail - 12 Foot Frame

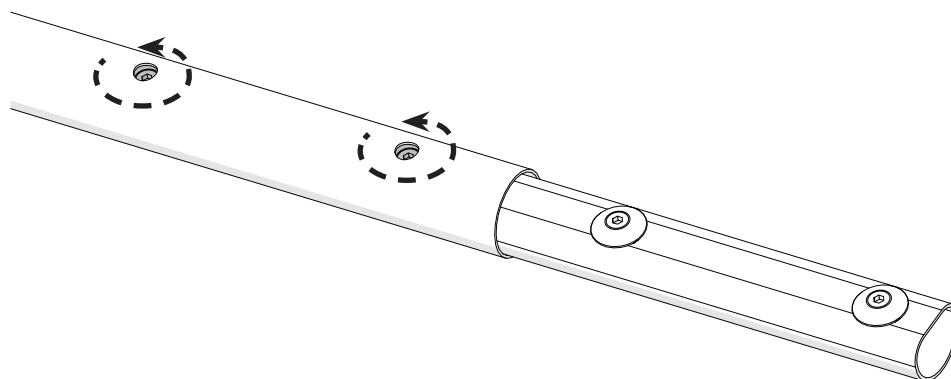
### Instructions

To assemble and install the idler rail on the 12 foot frame, take the following steps:

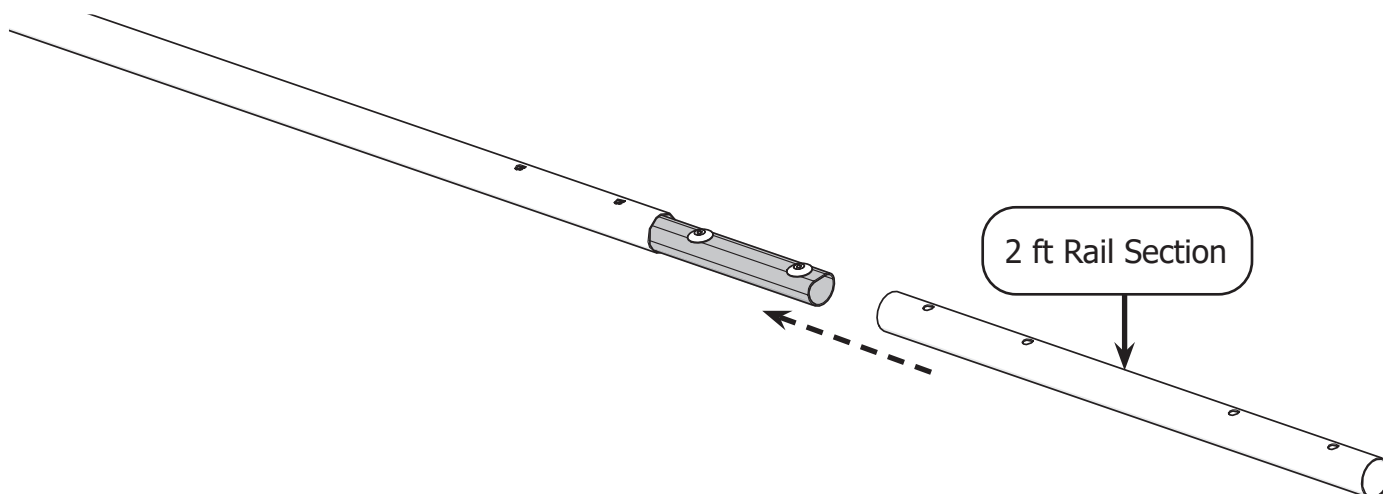
- 1 Slide a **rail coupler** into one of the **non-ratcheting rail sections**. Line up the screws on the coupler with the **holes** on the rail.



- 2 Use a 4 mm Allen wrench to turn the screws inside the rail counter-clockwise until they press firmly against the rail.

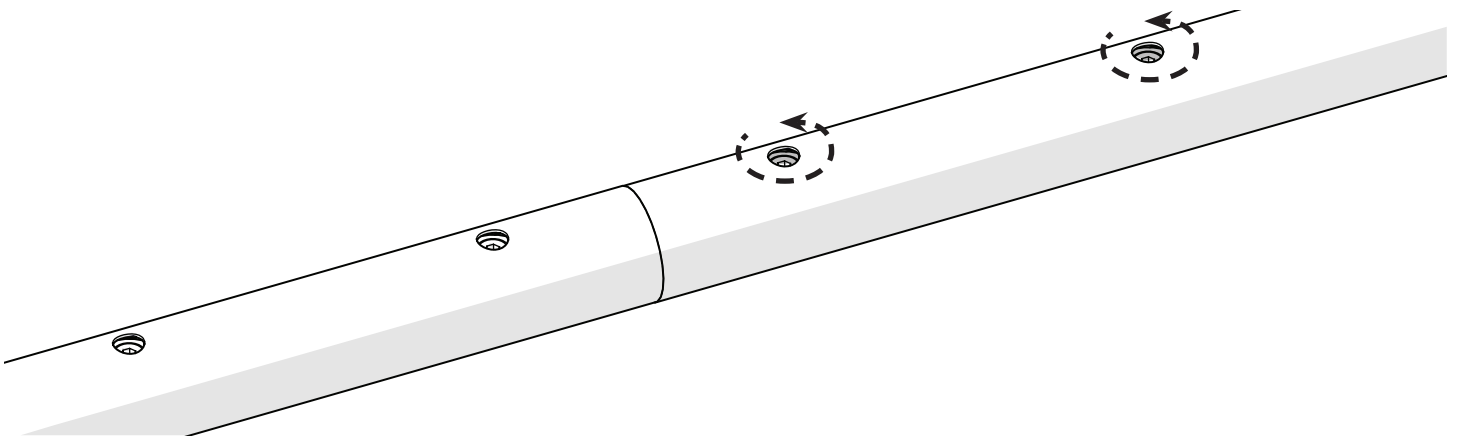


- 3 Slide one of the **2 ft rail sections** onto the other side of the rail coupler.

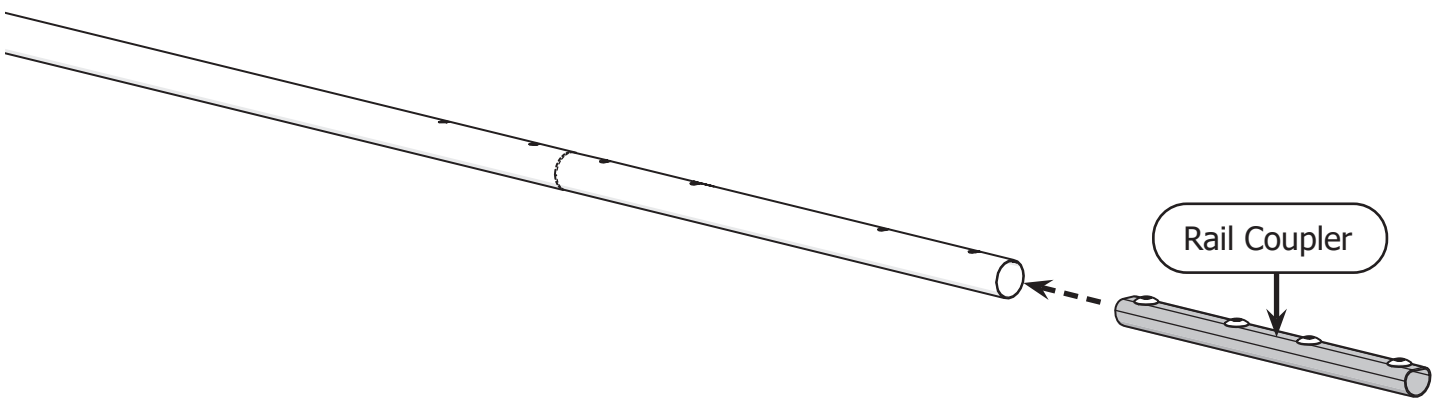




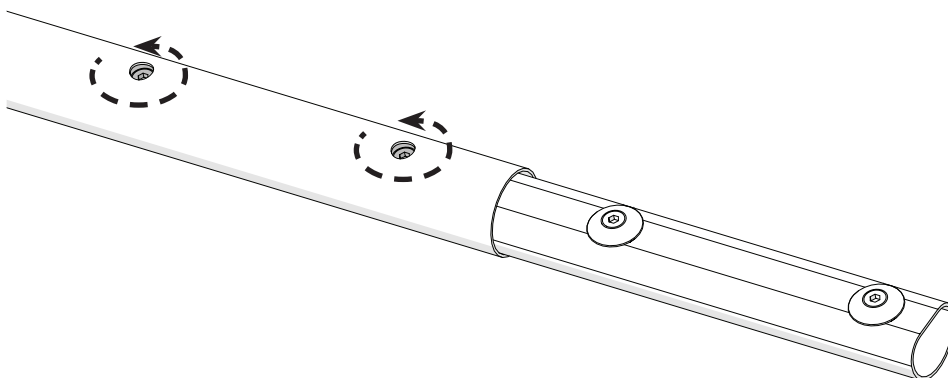
- 4 Align the holes with the coupler screws and turn the screws counter-clockwise with the 4 mm Allen wrench until they press firmly against the inside of the rail.



- 5 Now insert a second coupler into the 2 ft rail section.

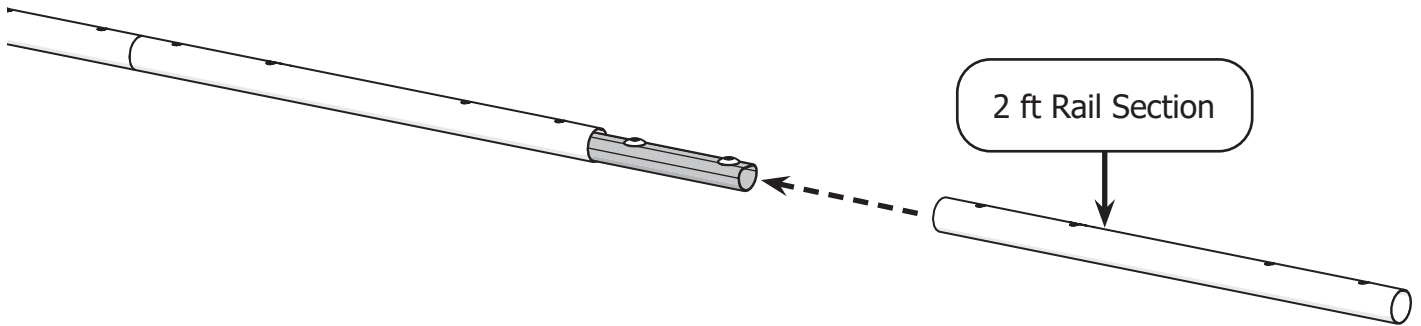


- 6 Once again, turn the screws counter-clockwise with the 4 mm Allen wrench until the rail and coupler are snug.

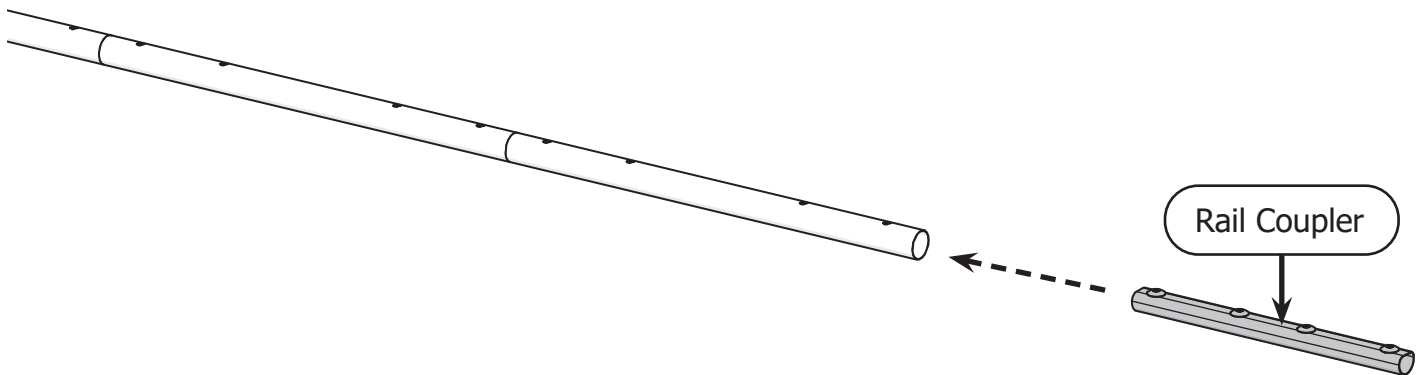


## Idler Rail - 12 Foot Frame

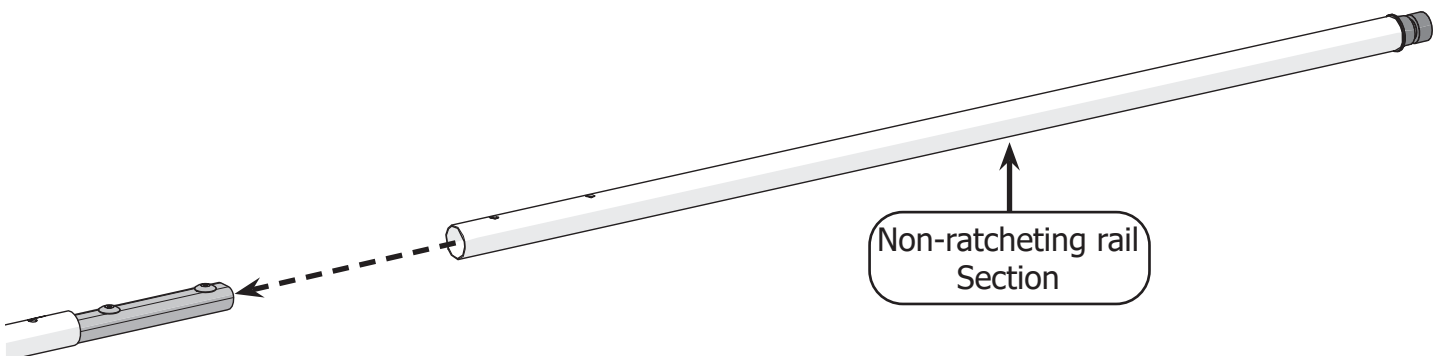
- 7 Install a second 2 ft rail section onto the rail coupler. Turn the coupler screws counter-clockwise with the 4 mm Allen wrench to fix the rail section in place.



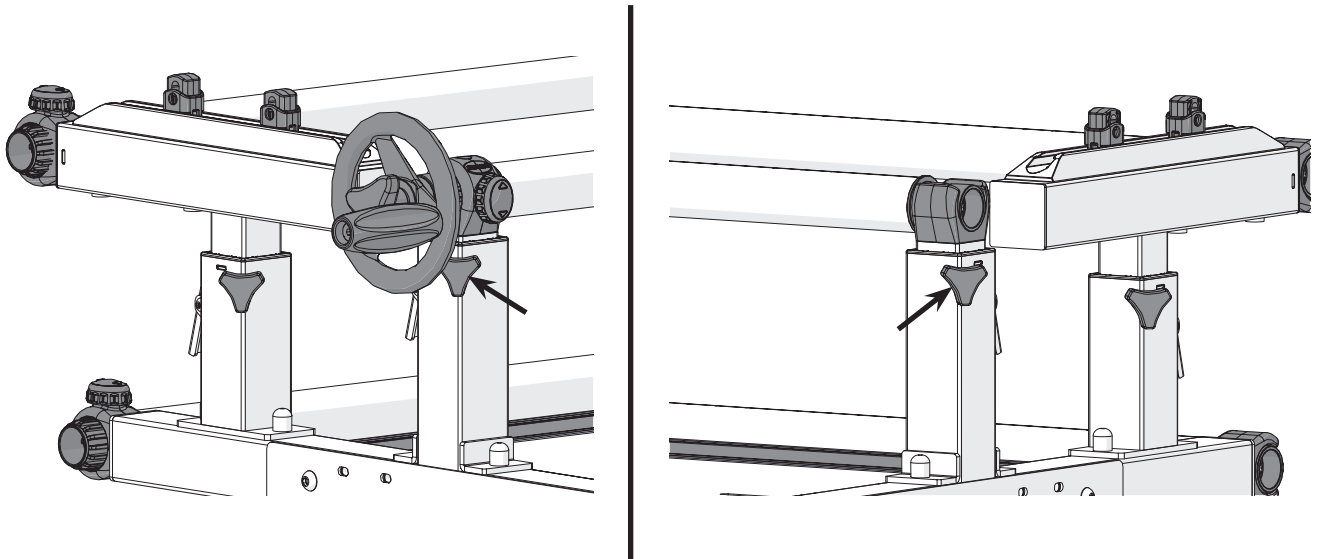
- 8 Slide the third rail coupler into the free end of the 2 ft rail section. Use the 4 mm Allen wrench to turn the screws counter-clockwise until the rail coupler is held firmly in place.



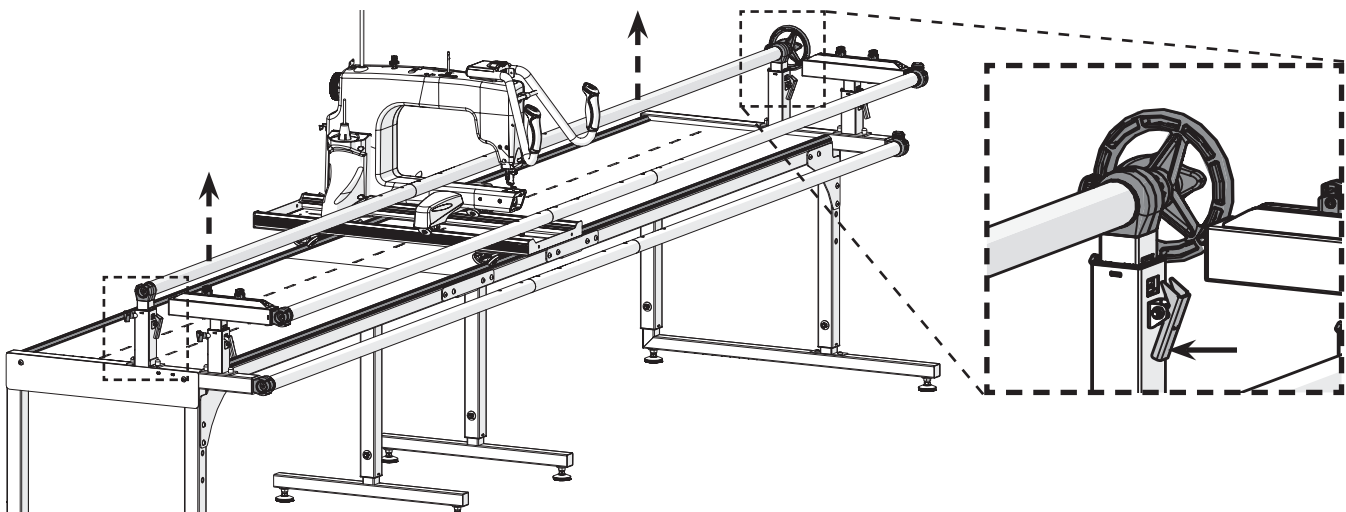
- 9 Install the remaining **non-ratcheting rail section** onto the other side of the rail coupler. Use the 4 mm Allen wrench to turn the coupler screws counter-clockwise.



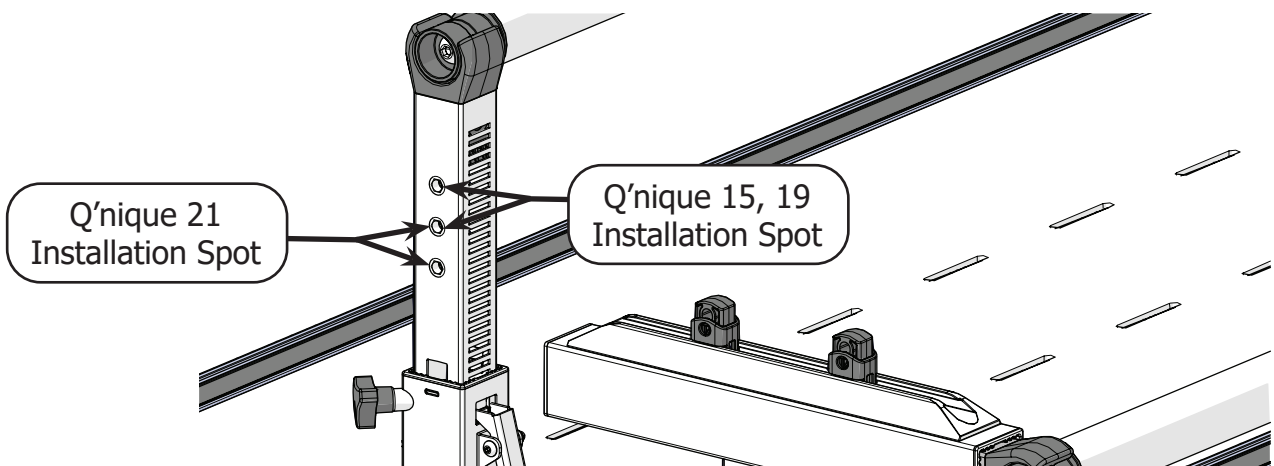
- 10 Loosen the 3-armed knobs on the take up rail arms on both sides of the frame.



- 11 Press in the levers on each of the take-up rail arms, then fully raise the take-up rail.

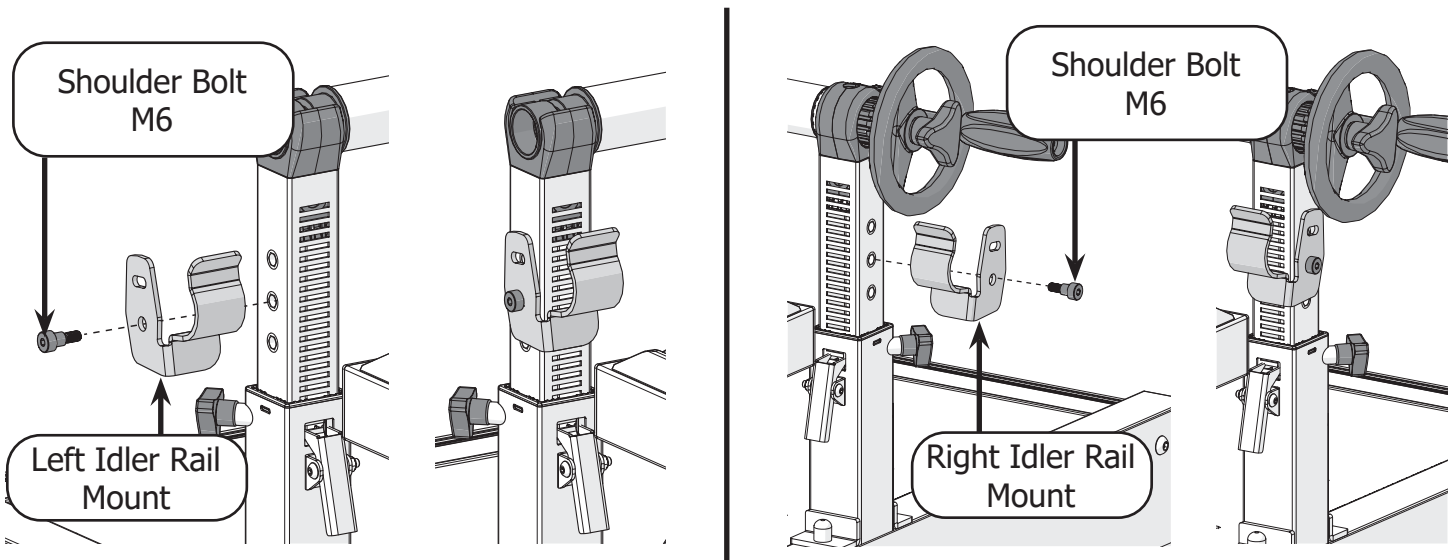


- 12 The mount holding the idler rail is installed on two of the 3 holes on the take-up rail arm. Choose whether to install the mount on the top two or bottom two holes by considering the size of your machine.

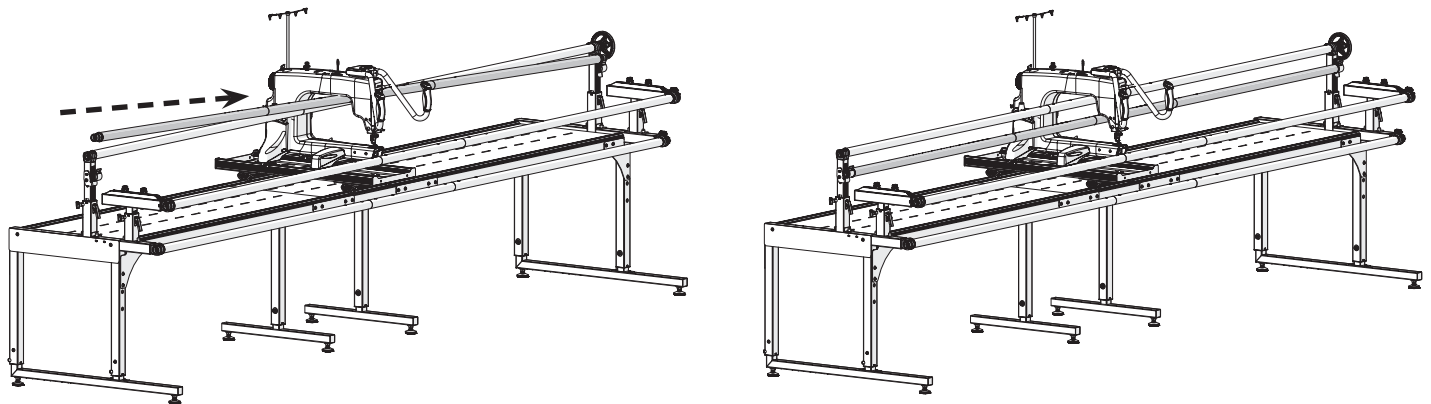


## Idler Rail - 12 Foot Frame

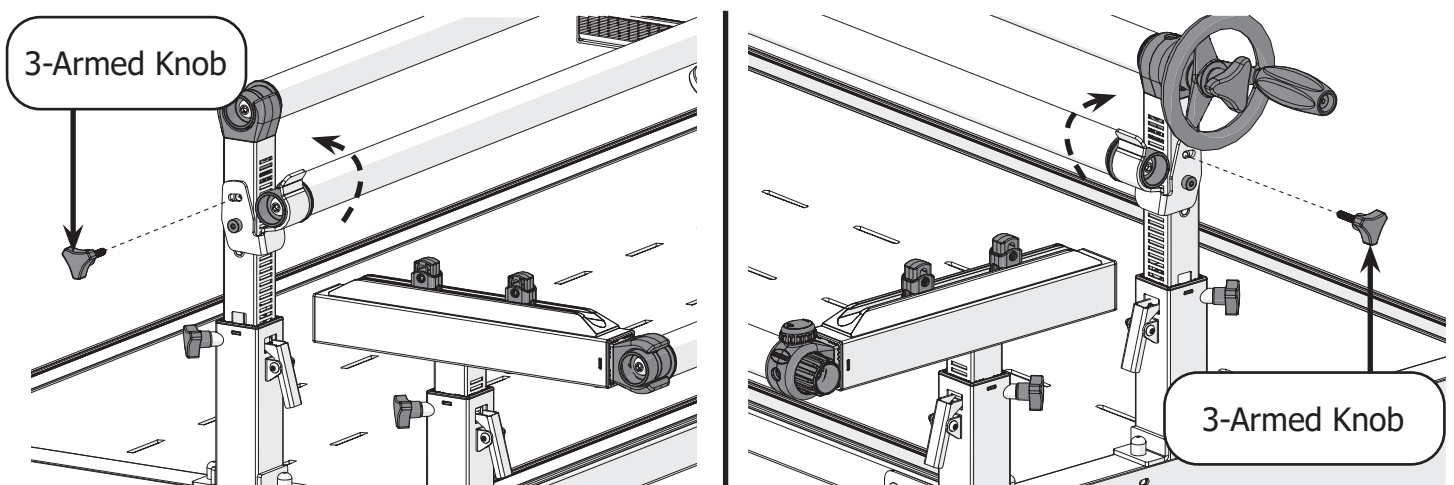
- 13 Use the **shoulder bolt** and 4 mm Allen wrench to screw the **idler rail mounts** to each arm.



- 14 Pass the idler rail through the throat of the machine and place each end into the mounts.

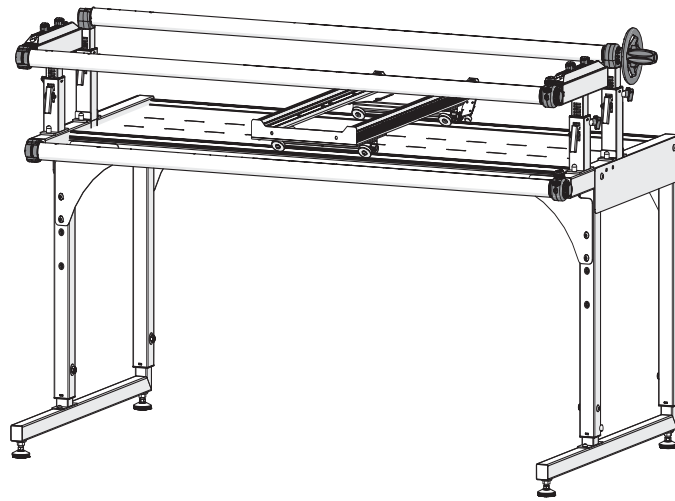


- 15 Push in on the mount and install the **3-armed knob**. To remove the frame in the future, simply loosen the **3-armed knob** and lift the rail out of the mounts.



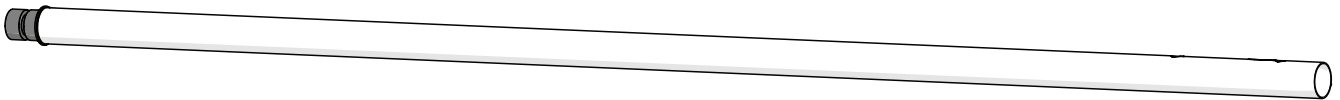
Set the rail height. For instructions, see page 29.

# 4 Foot



## Parts & Tools Needed:

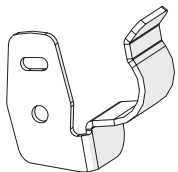
**Non-ratcheting rail Section 4 ft (x2)**



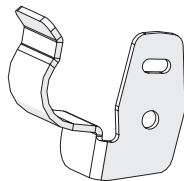
**Allen Wrench 4 mm**



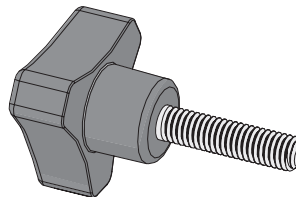
**Left Idler Rail Mount**



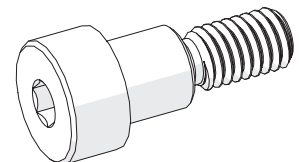
**Right Idler Rail Mount**



**3-Armed Knob (x2)**



**Shoulder Bolt  
M6 (x2)**

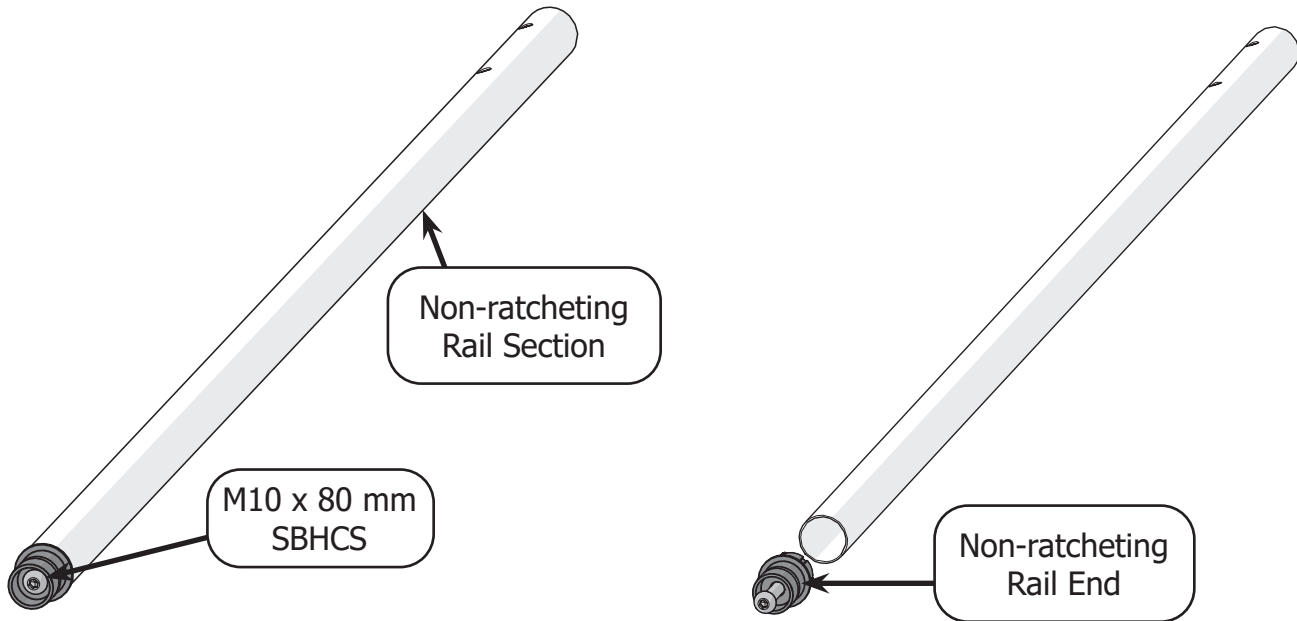


## Idler Rail - 4 Foot Frame

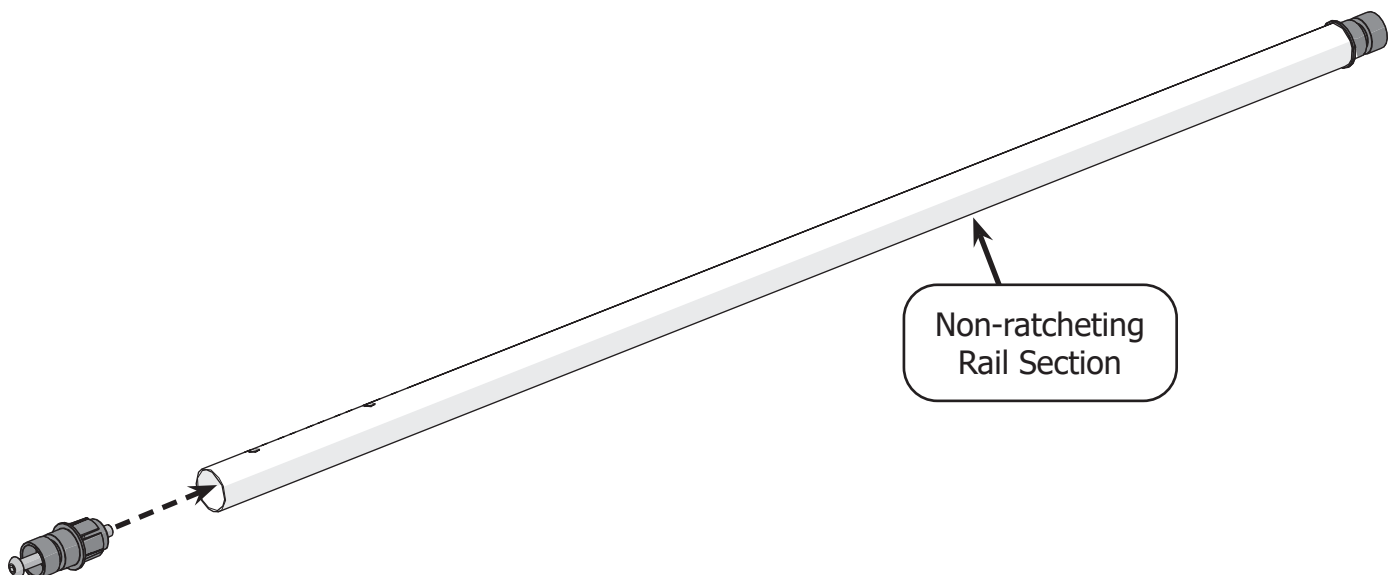
### Instructions

To assemble and install the idler rail on the 4 foot crib setup, take the following steps:

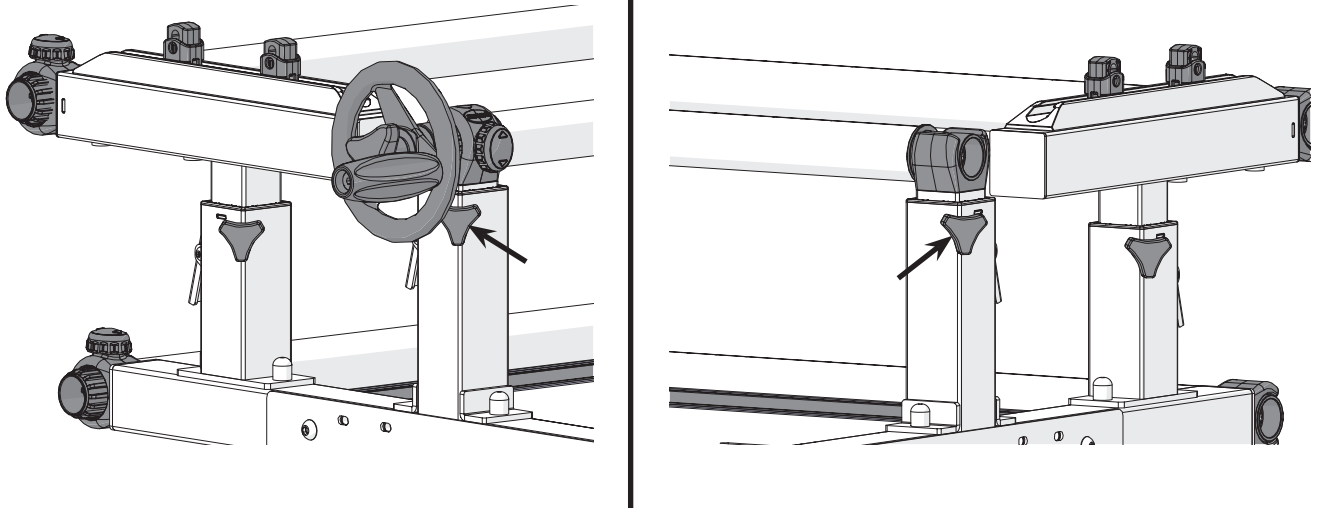
- 1 Use the 6 mm Allen wrench to loosen the **M10 x 80 mm SBHCS** screw on the **non-ratcheting rail section**. Remove the **non-ratcheting rail end** from the rail segment.



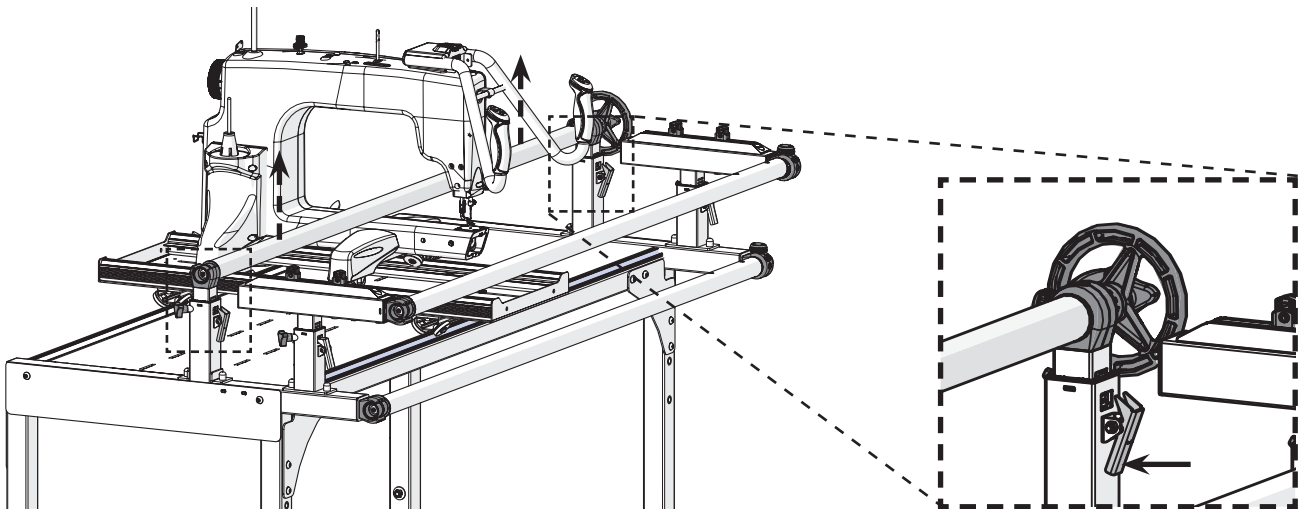
- 2 Screw the **non-ratcheting rail end** into the free end of the remaining **non-ratcheting rail section**.



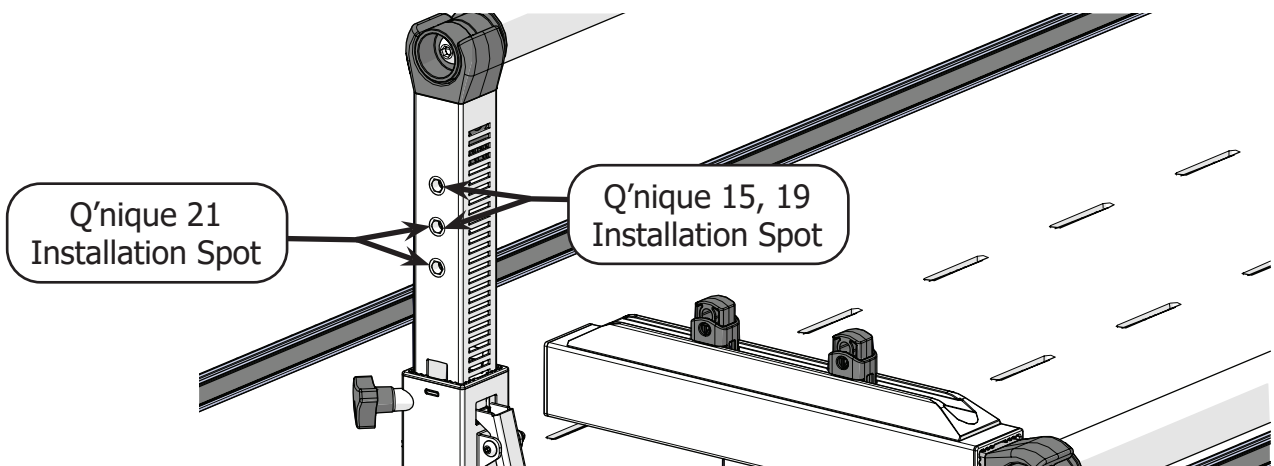
- 3 Loosen the 3-armed knobs on the take up rail arms on both sides of the frame.



- 4 Press in the levers on each of the take-up rail arms, then fully raise the take-up rail.

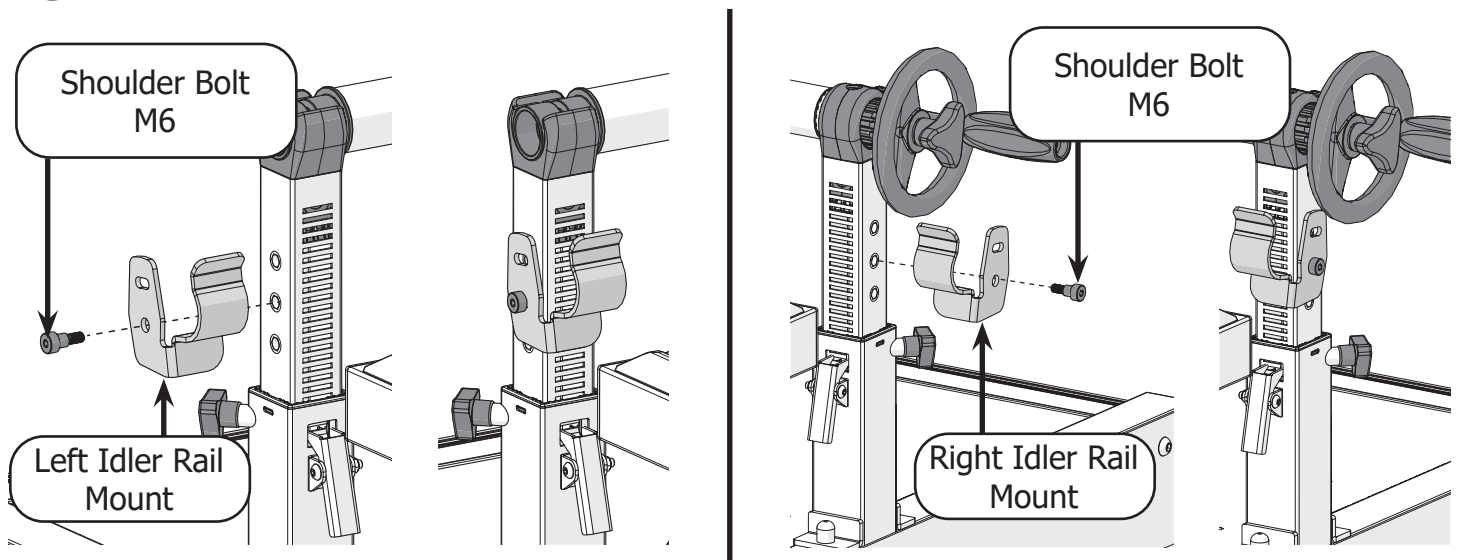


- 5 The mount holding the idler rail is installed on two of the 3 holes on the take-up rail arm. Choose whether to install the mount on the top two or bottom two holes by considering the size of your machine.

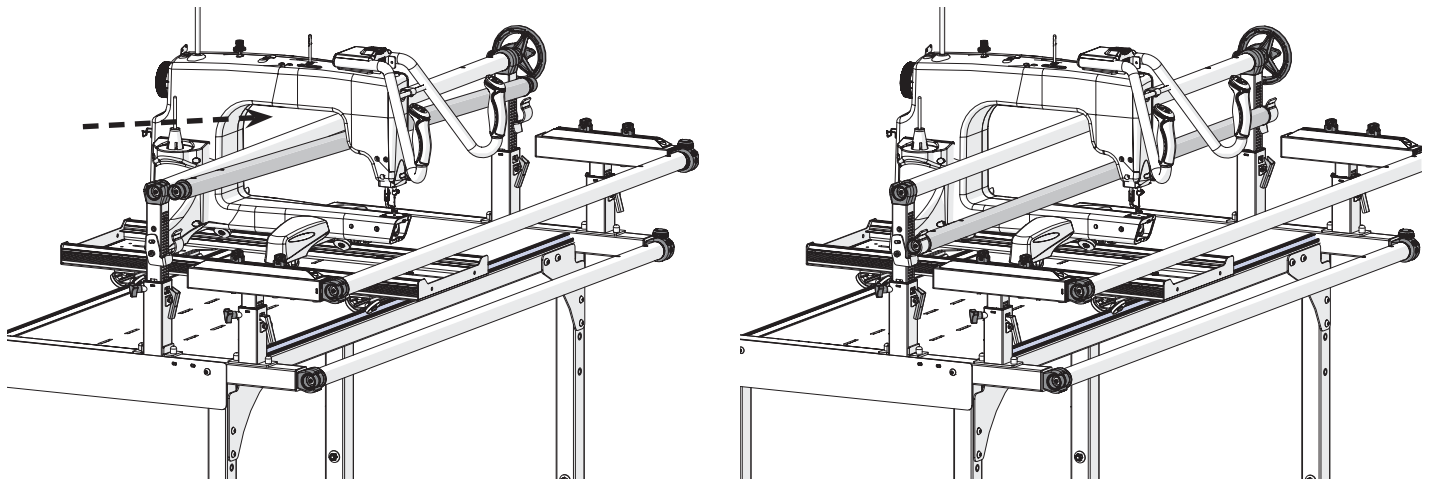


## Idler Rail - 4 Foot Frame

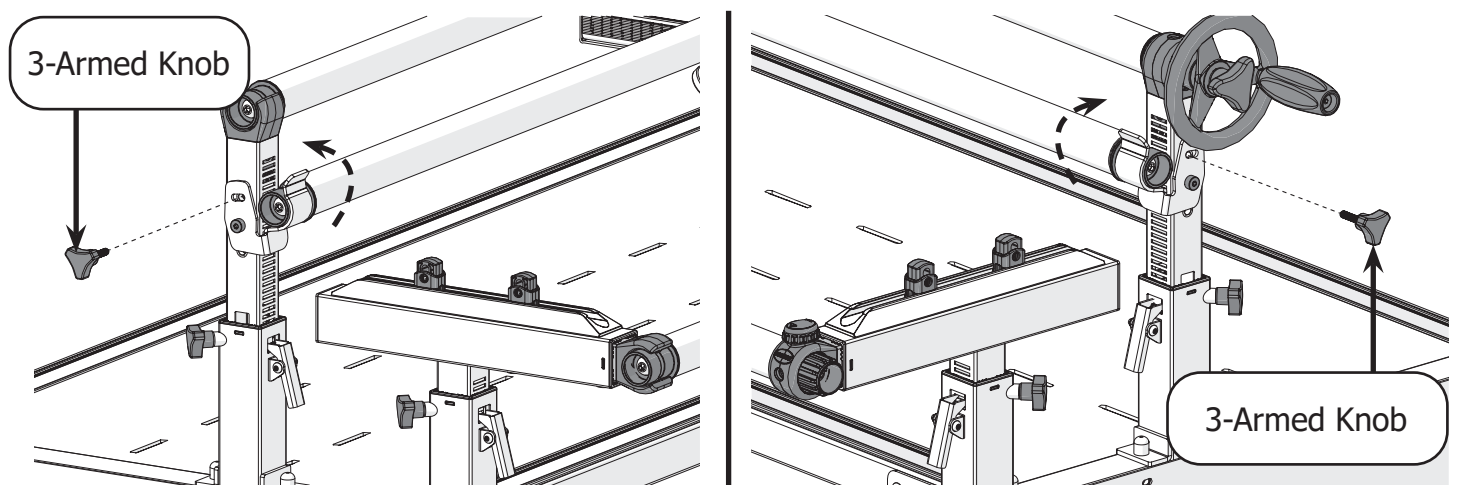
- 6 Use the **shoulder bolt** and 4 mm Allen wrench to screw the **idler rail mounts** to each arm.



- 7 Pass the idler rail through the throat of the machine and place each end into the mounts.



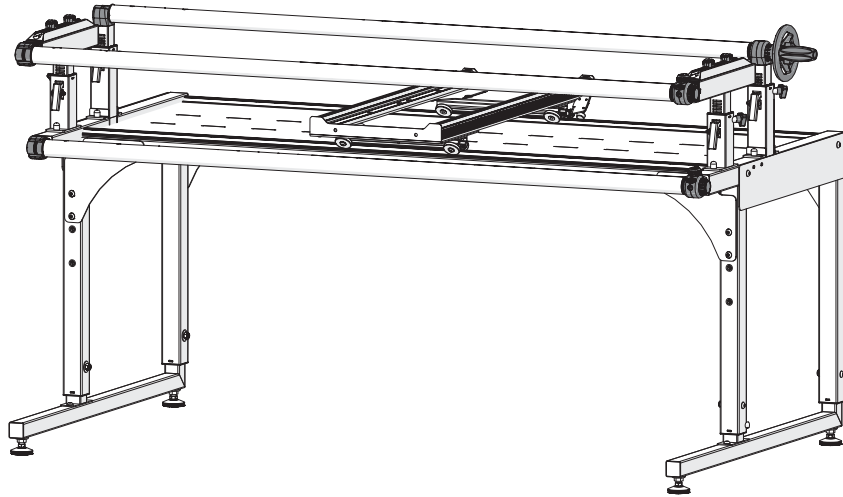
- 8 Push in on the mount and install the **3-armed knob**. To remove the frame in the future, simply loosen the **3-armed knob** and lift the rail out of the mounts.



Set the rail height. For instructions, see page 29.

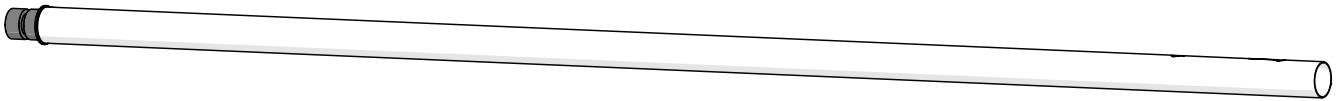


# 5 Foot



## Parts & Tools Needed:

**Non-ratcheting rail Section 4 ft (x2)**



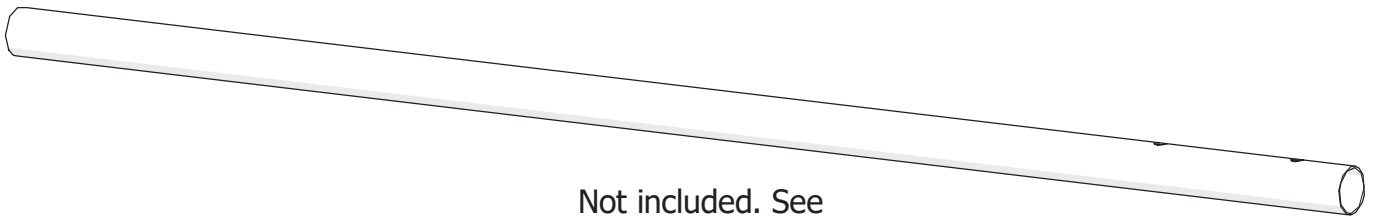
**Allen Wrench 6 mm**

**Allen Wrench 4 mm**



Not included. See  
base frame tools.

**Rail Section 5 ft**



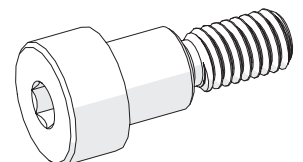
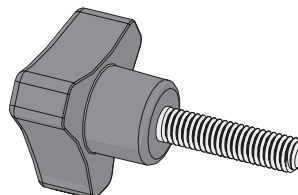
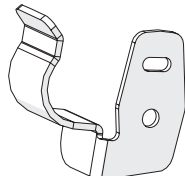
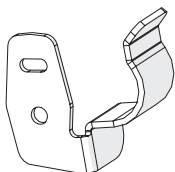
Not included. See  
base frame parts.

**Left Idler Rail Mount**

**Right Idler Rail Mount**

**3-Armed Knob (x2)**

**Shoulder Bolt  
M6 (x2)**

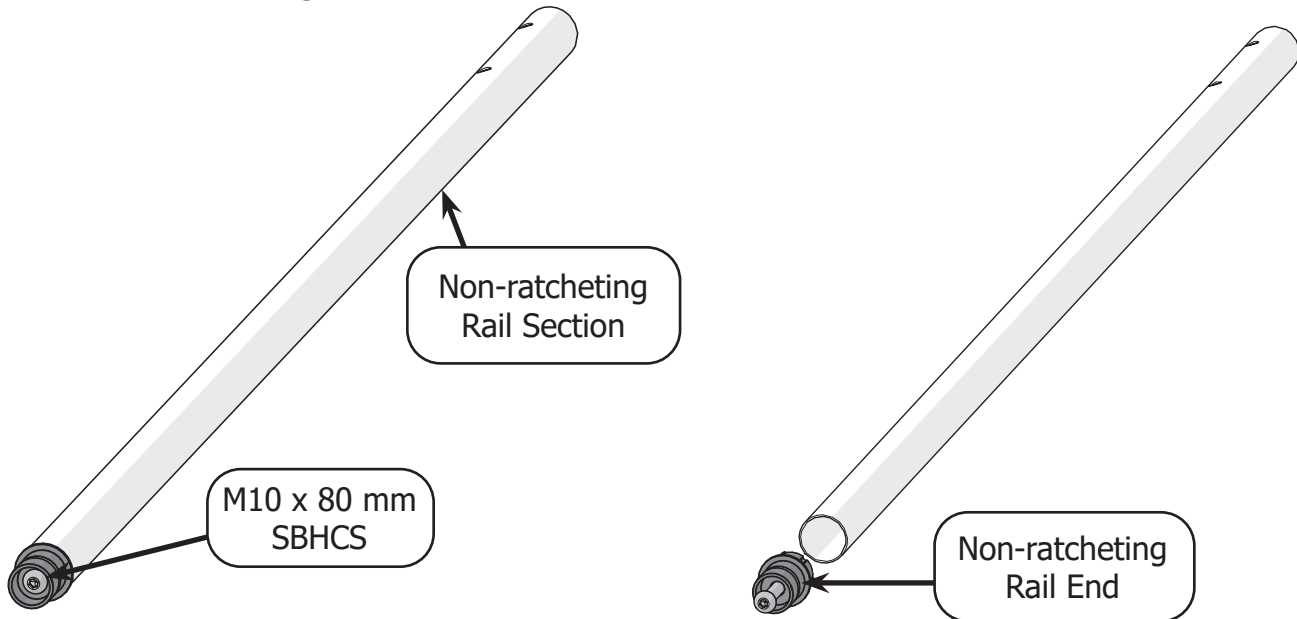


## Idler Rail - 5 Foot Frame

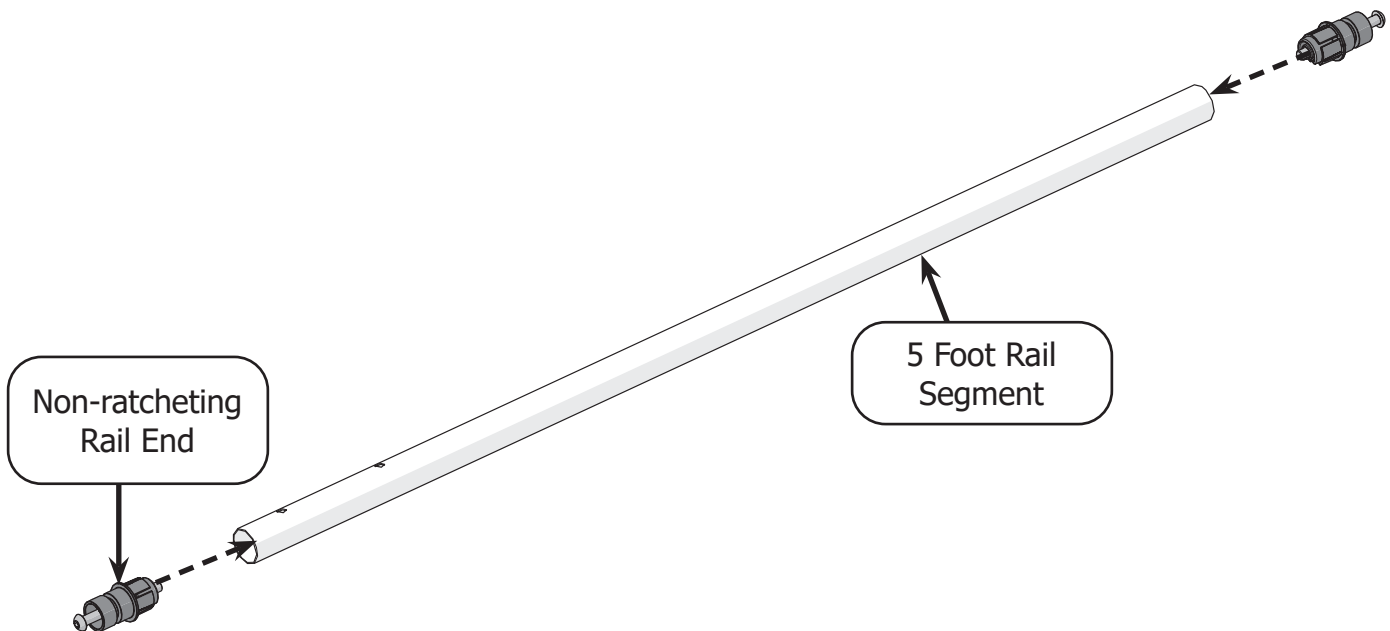
### Instructions

To assemble and install the idler rail on the 5 foot crib setup, take the following steps:

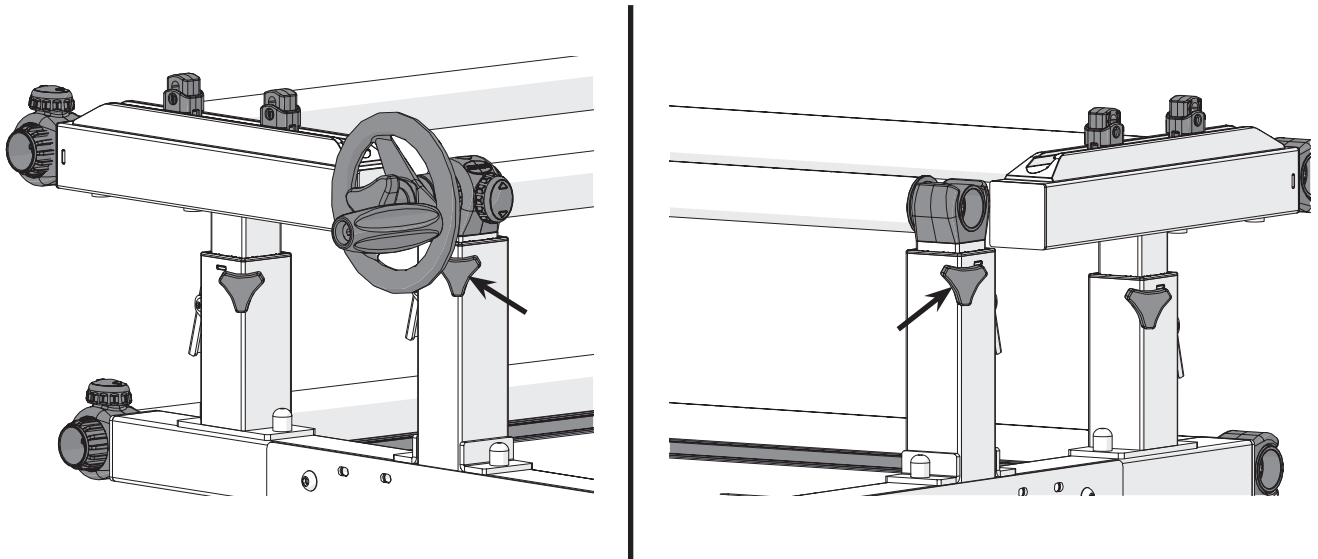
- 1 On both non-ratcheting rail sections:** Use the 6 mm Allen wrench that came with your base frame to loosen the **M10 x 80 mm SBHCS screw**. Remove the **non-ratcheting rail end** from the rail segment.



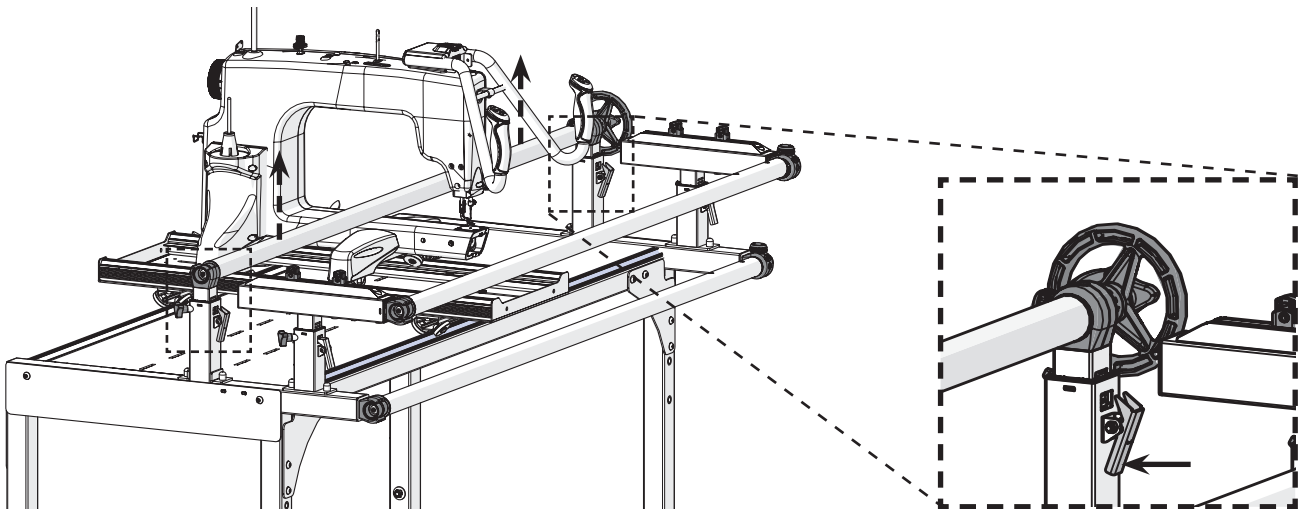
- 2 Use the 6 mm Allen wrench to screw the non-ratcheting rail ends to the free ends of one of the 5 foot rail segments** from your base frame.



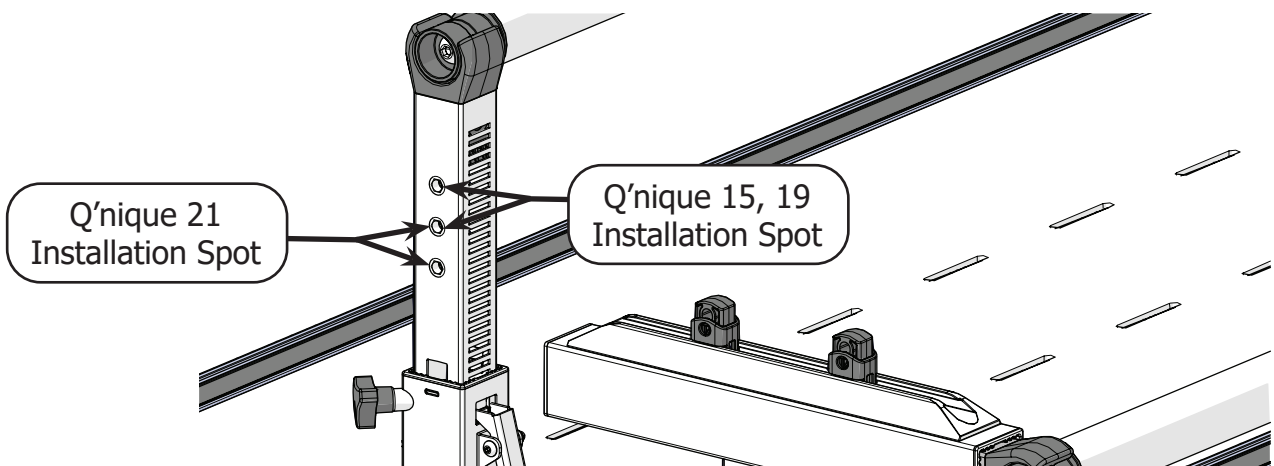
- 3 Loosen the 3-armed knobs on the take up rail arms on both sides of the frame.



- 4 Press in the levers on each of the take-up rail arms, then fully raise the take-up rail.

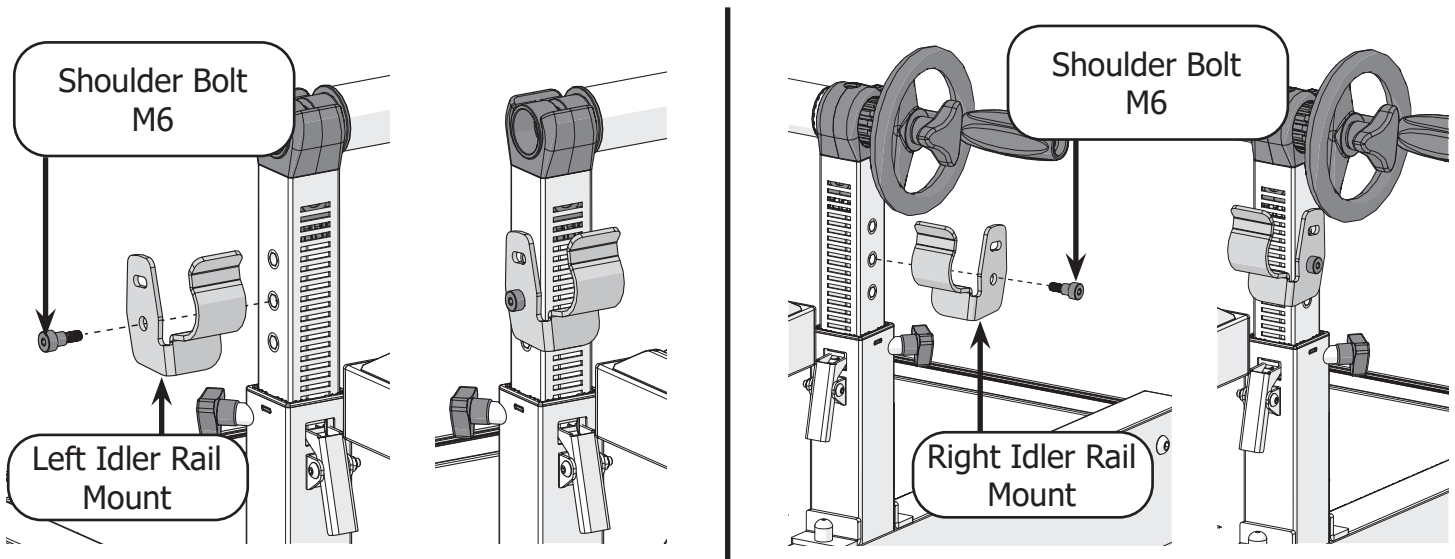


- 5 The mount holding the idler rail is installed on two of the 3 holes on the take-up rail arm. Choose whether to install the mount on the top two or bottom two holes by considering the size of your machine.

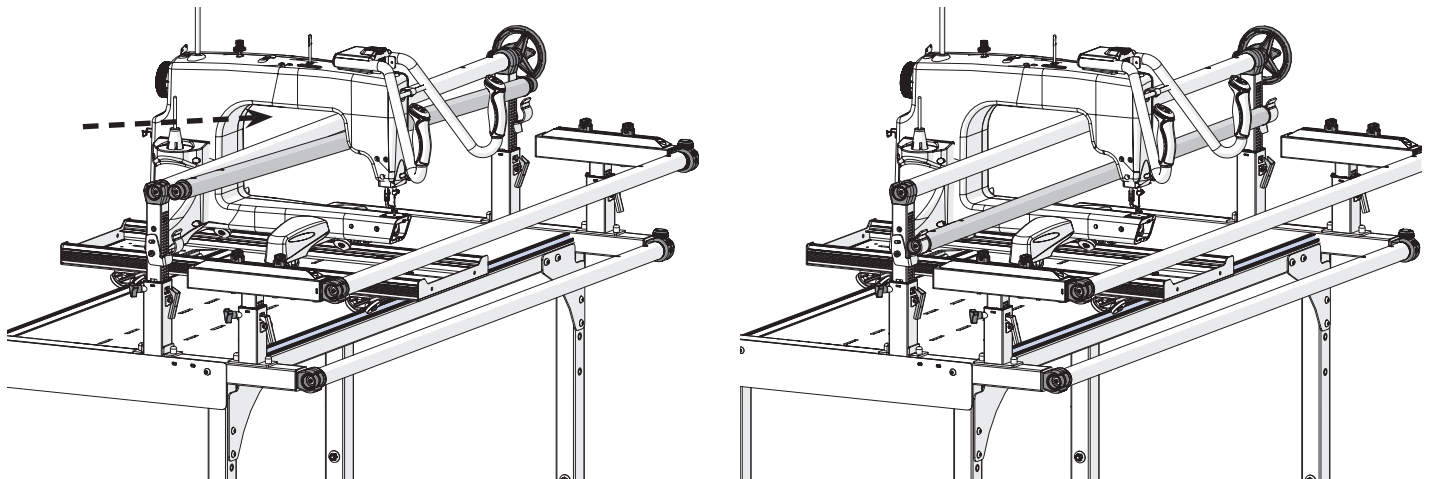


## Idler Rail - 5 Foot Frame

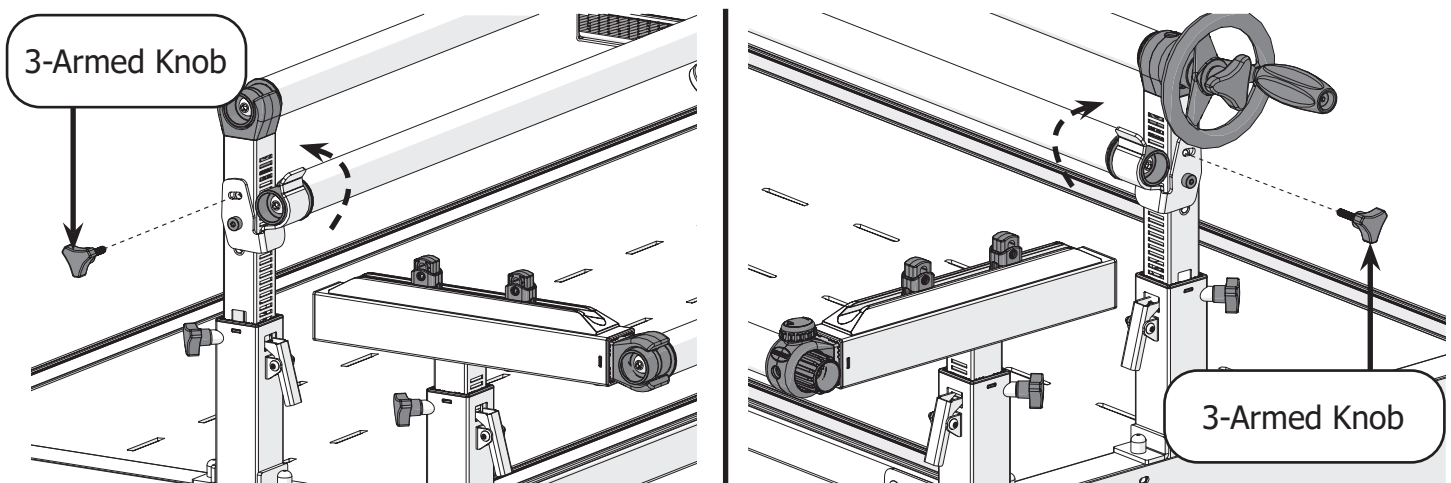
- 6 Use the **shoulder bolt** and 4 mm Allen wrench to screw the **idler rail mounts** to each arm.



- 7 Pass the idler rail through the throat of the machine and place each end into the mounts.



- 8 Push in on the mount and install the **3-armed knob**. To remove the frame in the future, simply loosen the **3-armed knob** and lift the rail out of the mounts.



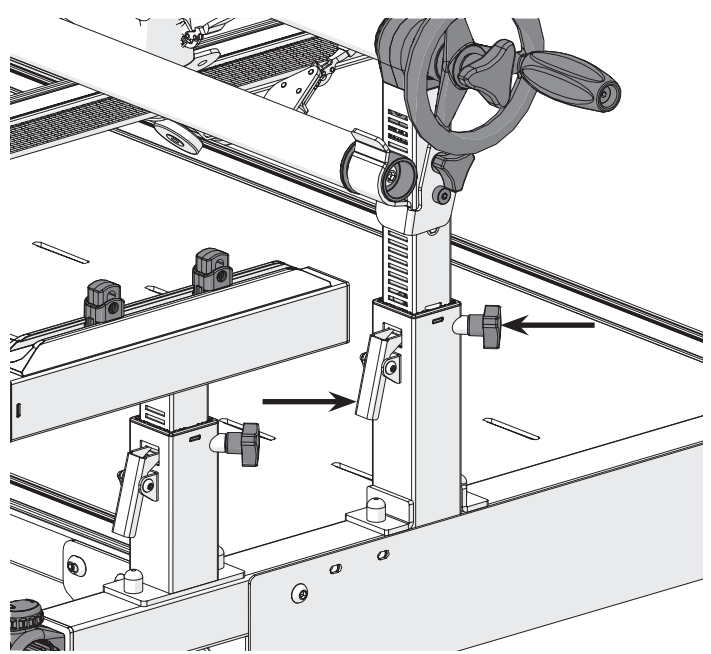
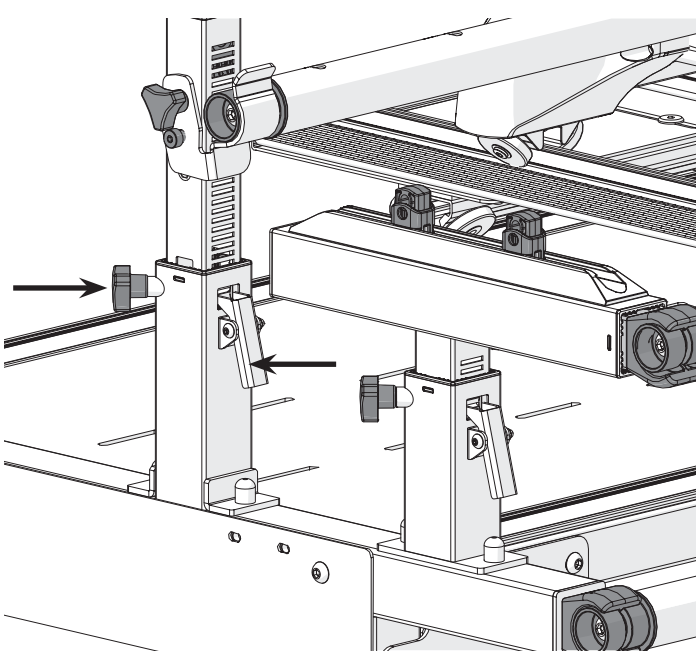
Set the rail height. For instructions, see page 29.

# Setting the Rail Height

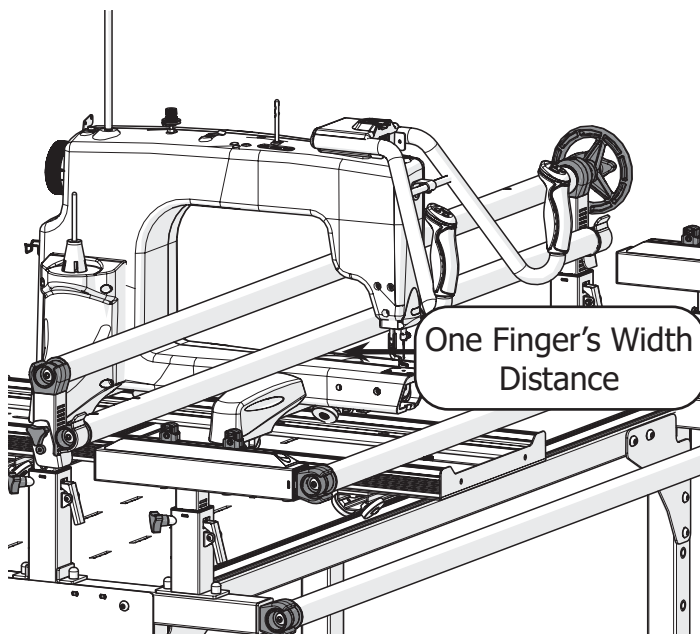
## Instructions

Setting the rail height correctly helps ensure smooth, continuous quilting.

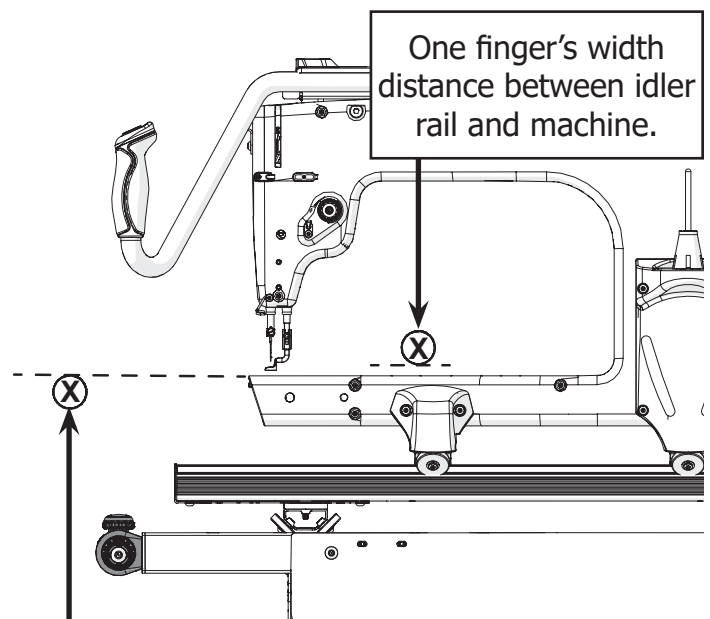
- 1 Loosen the 3-armed knobs on each of the take-up rail arms. Then push in the levers.



- 2 Set the idler rail so it has about a **finger's width of space** between it and the floor of the quilting machine.



- 3 It's a good to double-check the position of the batting rail as well.



**Note:** Crib setup pictured. Step is same for all frame setups.

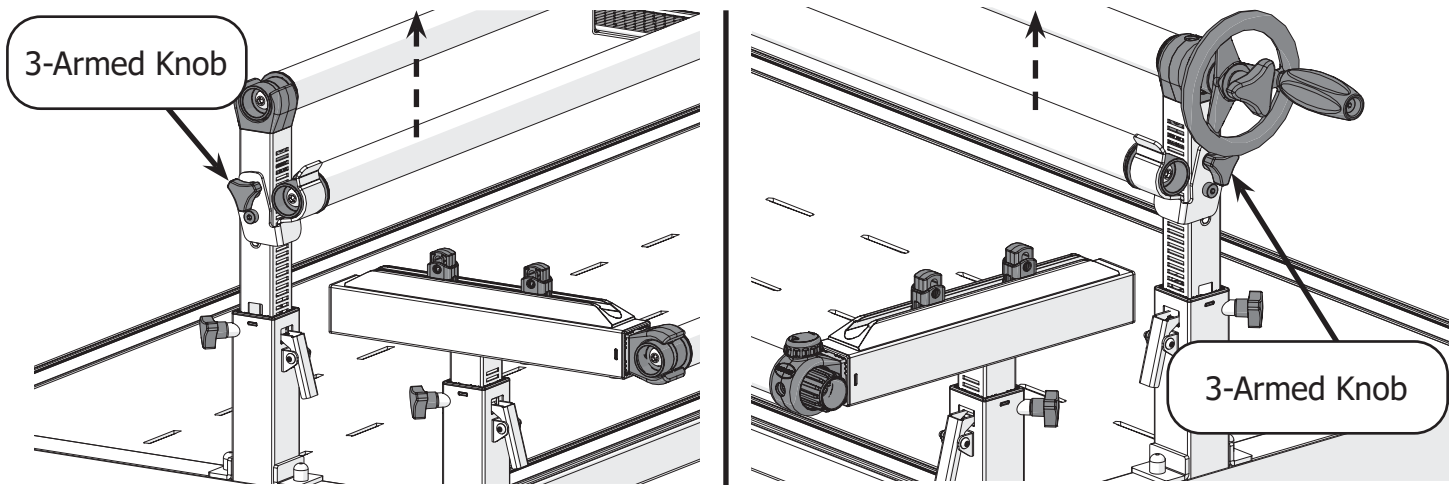
Batting rail is level with needle plate.

# Installing the Fabric

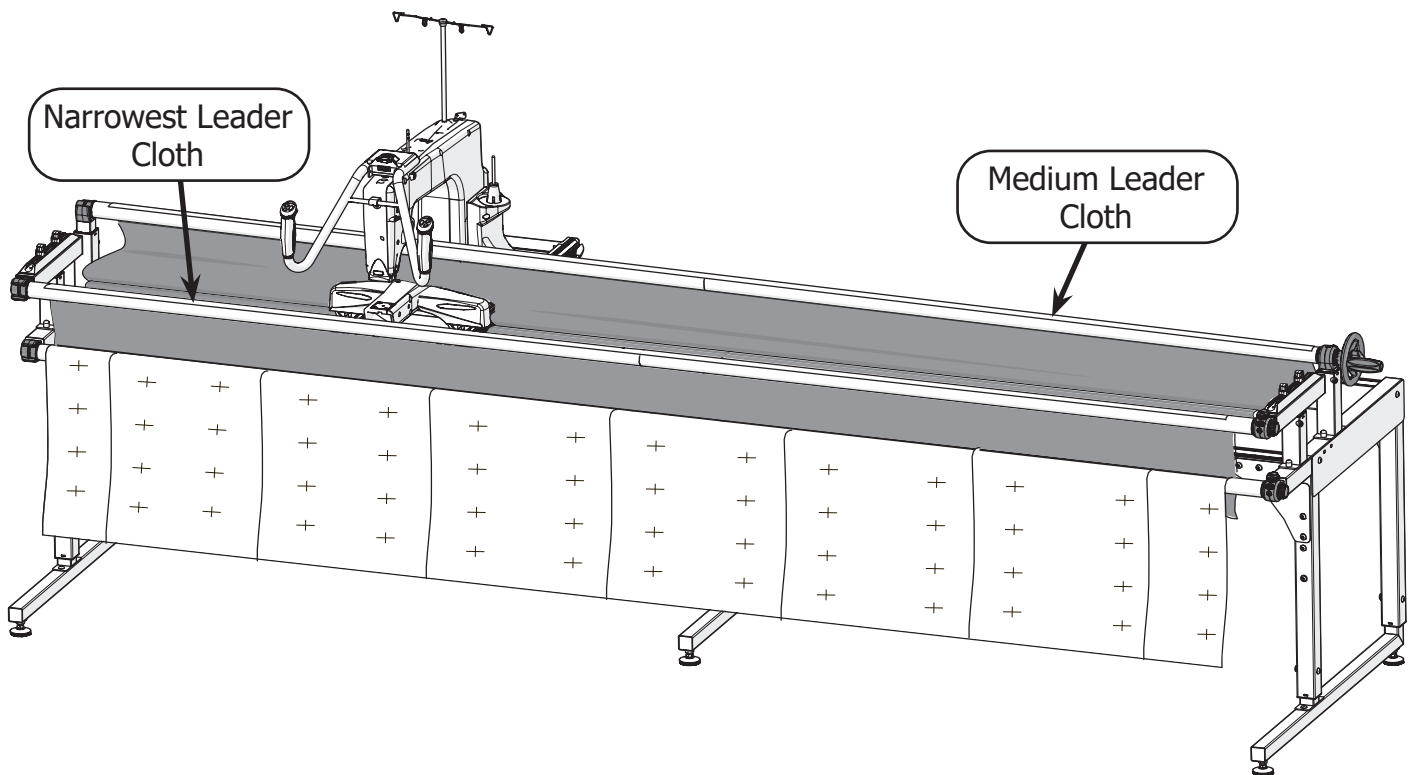
## Instructions

Once the rail has been installed on the frame, there are a few extra steps needed to prepare your quilt.

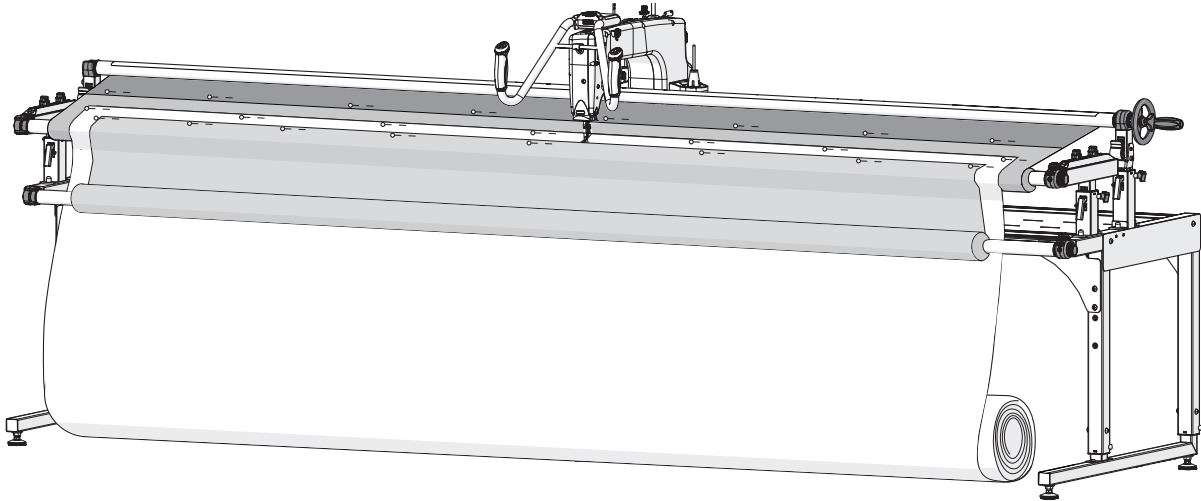
- 1 Loosen the **3-armed knobs** on each of the take-up rail arms and remove the idler rail.



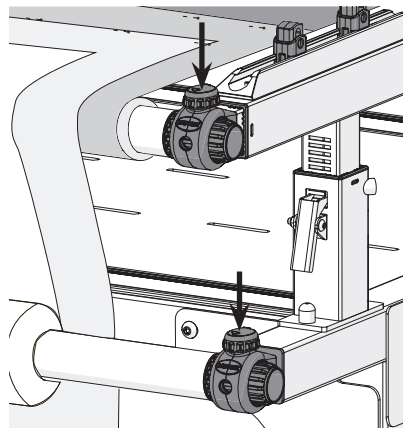
- 2 Swap the leader cloth on the take-up rail with the leader cloth on the batting rail. The **narrowest leader cloth** will now be on the batting rail, and the **medium-width leader cloth** will be on the take-up rail.



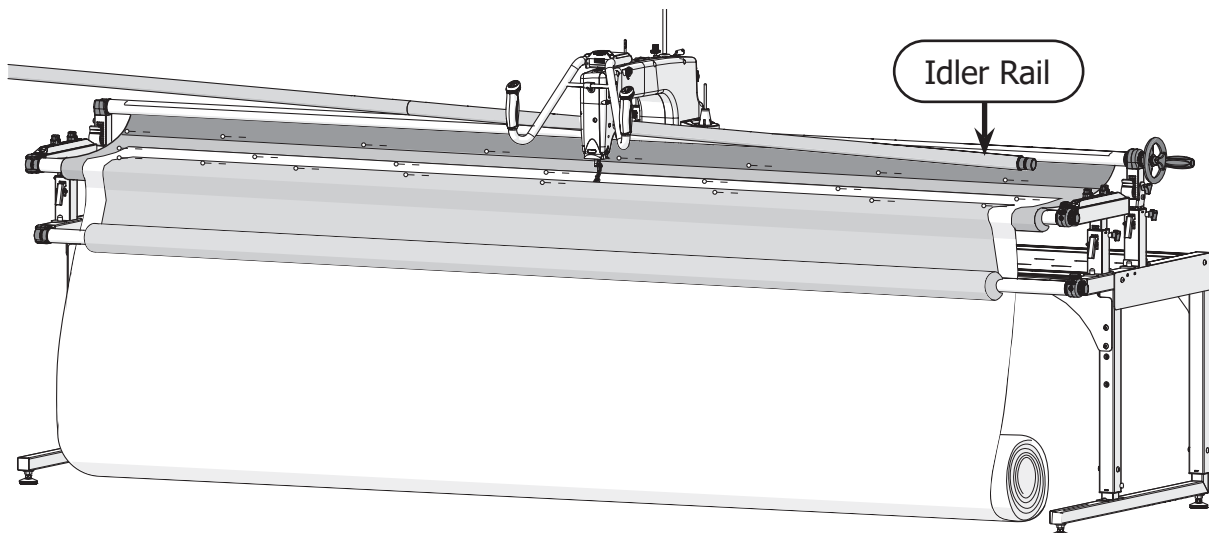
- 3 Install the fabric as usual according to the instructions in the base frame manual.



- 4 Twist the knobs on the two front rail arms to loosen the tension on the fabric.

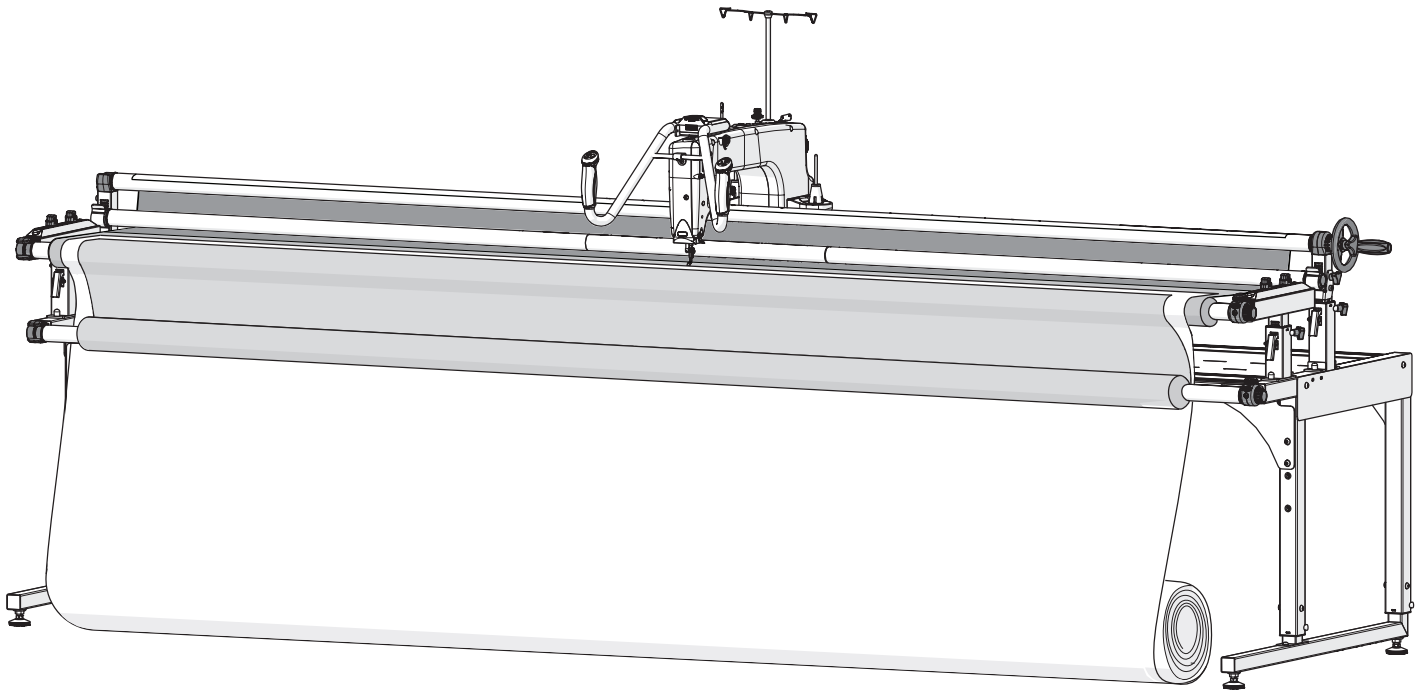


- 5 Re-install the idler rail into the idler mounts, over the top of the fabric.



## Idler Rail - 5 Foot Frame

- 6 Ratchet up the front rails to restore tension to the quilt. Take care not to over-tighten, or the fabric may bunch up around your stitches when removed from the frame.



- 7 Check your rail height to make sure there is a finger's width of space between the idler rail and the floor of the machine. See "Setting the Rail Height" on page 29 for detailed instructions.



**The Grace Company**  
**2225 South 3200 West**  
**Salt Lake City, UT 84119**  
**Phone: 1-800-264-0644**  
**Fax: 801-908-8888**  
**[www.graceframe.com](http://www.graceframe.com)**

